



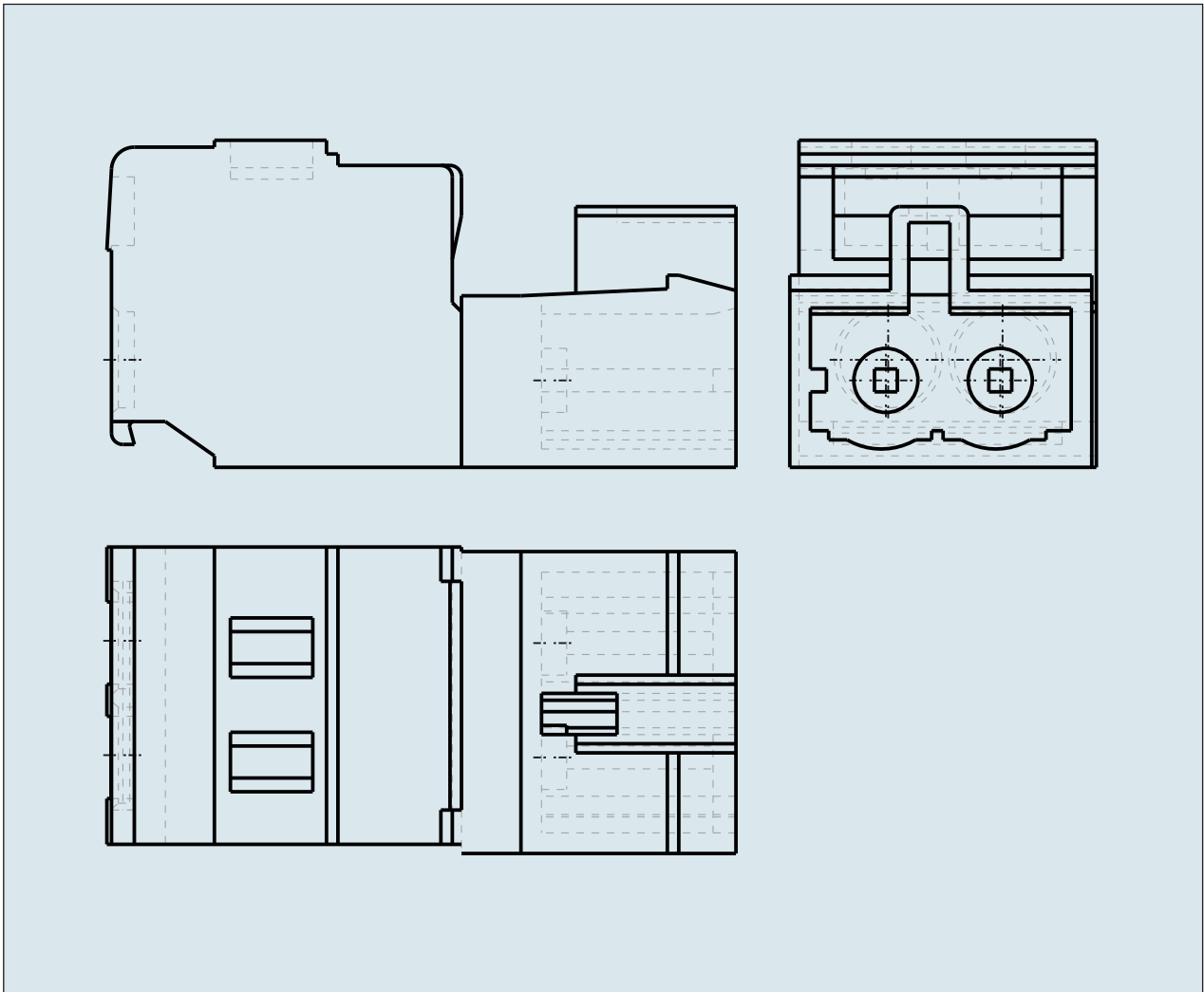
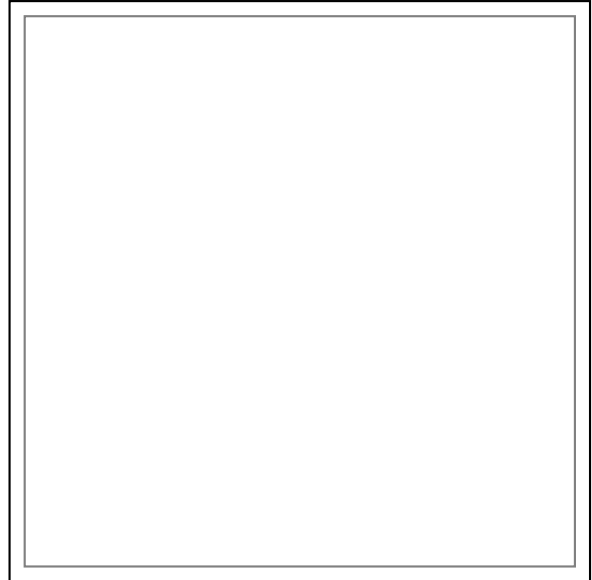
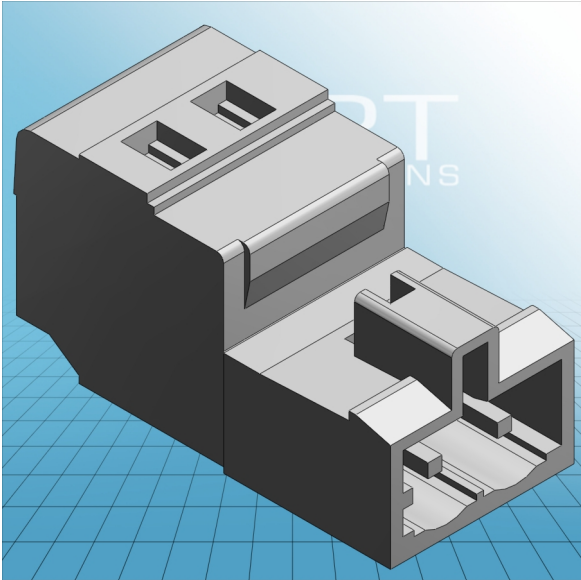
**MALE CONNECTOR PIN SPACING 5  
MM / 0.197 IN 100% PROTECTED  
AGAINST MISMATING**  
721-602 TO 721-620

**PDF DATASHEET**

© 1992 - 2011 CADENAS GmbH



勝特力電材超市-龍山店 886-3-5773766  
勝特力電材超市-光復店 886-3-5729570  
勝特力電子(上海) 86-21-34970699  
勝特力電子(深圳) 86-755-83298787  
<http://www.100y.com.tw>





**MALE CONNECTOR PIN SPACING 5  
MM / 0.197 IN 100% PROTECTED  
AGAINST MISMATING  
721-602 TO 721-620**

**PDF DATASHEET**

© 1992 - 2011 | CADENAS GmbH

<b>ITEM-NO. (ITEM-NO.)</b>	721-602
<b>Cross section1 (Cross section / mm<sup>2</sup>)</b>	0.08 - 2.5
<b>Cross section2 (Cross section / AWG)</b>	28 - 12
<b>Strip length (Strip length / mm)</b>	8 - 9
<b>Measured voltage (Measured voltage / V)</b>	320
<b>Measured shock voltage (Measured shock voltage / kV)</b>	4
<b>Pollution degree (Pollution degree)</b>	2
<b>Current intensity (Current intensity / A)</b>	12
<b>RM (PIN SPACING / mm)</b>	5
<b>P (NO. OF POLES)</b>	2
<b>Height (Height / mm)</b>	14.3
<b>Width (Width / mm)</b>	13.2
<b>Depth (Depth / mm)</b>	27.5
<b>No. of connection Points (No. of connection Points)</b>	2
<b>No. of potentials (No. of potentials)</b>	2
<b>COLOR (COLOR)</b>	lichtgrau
<b>Comment (Comment)</b>	A = (No. of poles x Pin Spacing) + 3,2 mm   B = A - 1,7 mm   C = A - 1,2 mm