



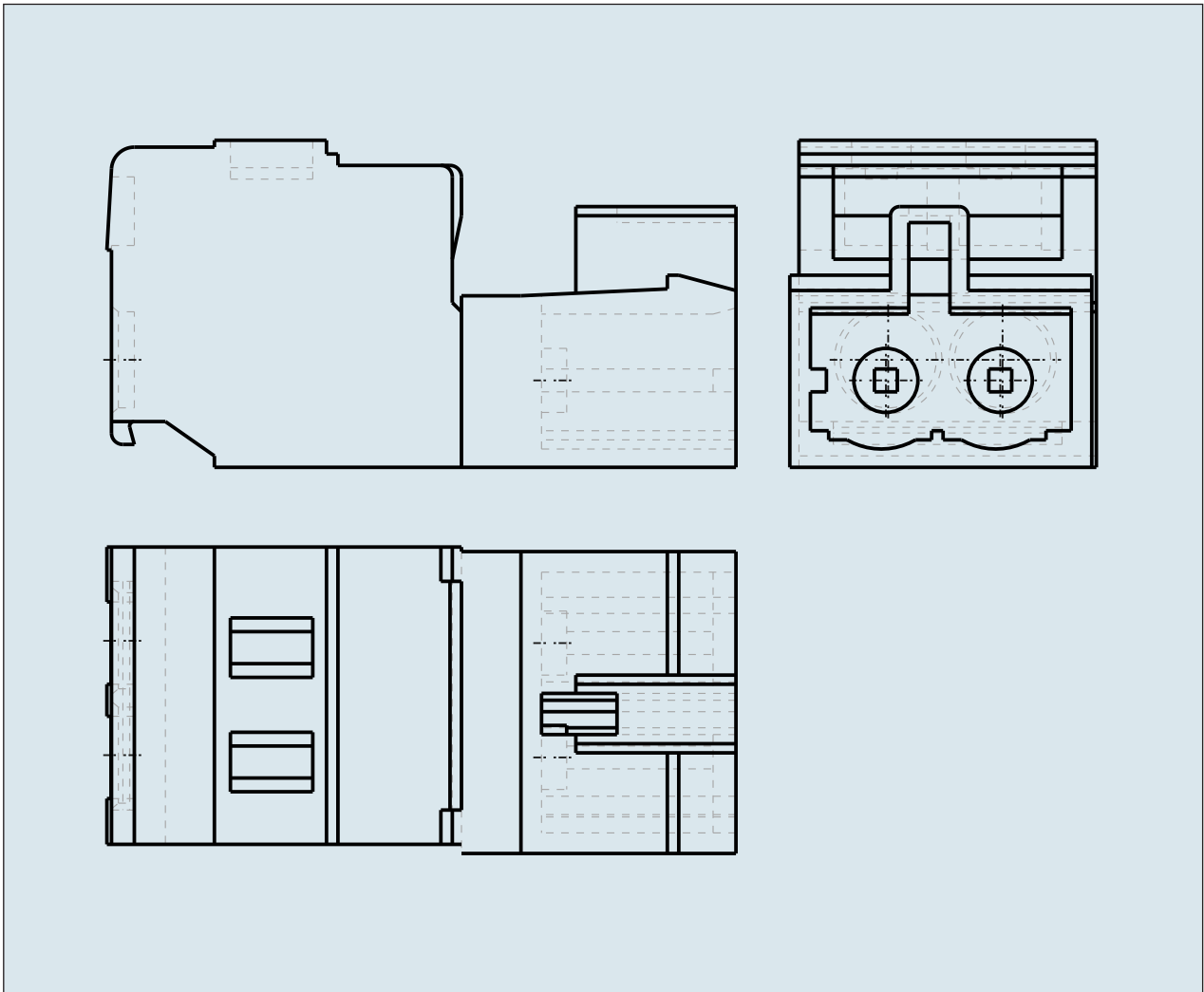
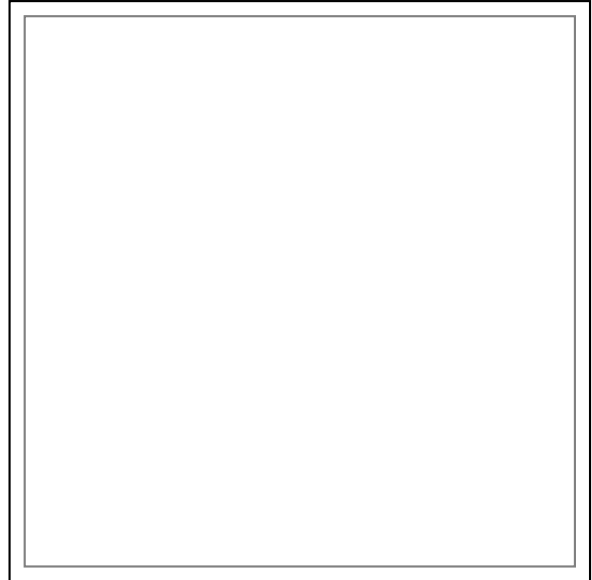
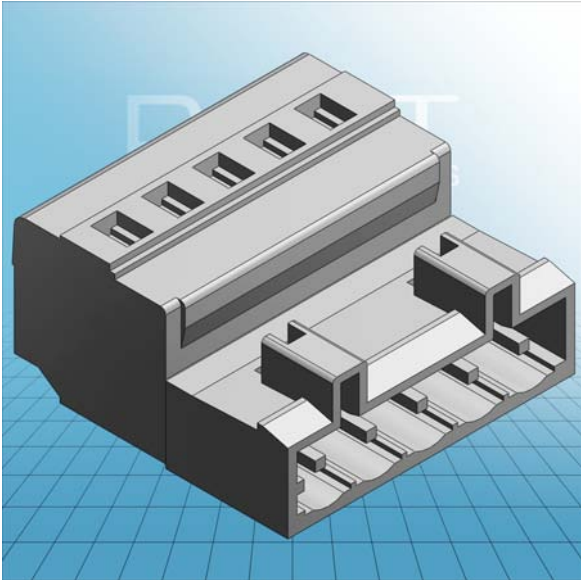
**MALE CONNECTOR PIN SPACING 5  
MM / 0.197 IN 100% PROTECTED  
AGAINST MISMATING**  
721-602 TO 721-620

**PDF DATASHEET**

© 1992 - 2011 CADENAS GmbH



勝特力電材超市-龍山店 886-3-5773766  
勝特力電材超市-光復店 886-3-5729570  
勝特力電子(上海) 86-21-34970699  
勝特力電子(深圳) 86-755-83298787  
<http://www.100y.com.tw>



ITEM-NO. (ITEM-NO.)	721-605
Cross section1 (Cross section / mm <sup>2</sup> )	0.08 - 2.5
Cross section2 (Cross section / AWG)	28 - 12
Strip length (Strip length / mm)	8 - 9
Measured voltage (Measured voltage / V)	320
Measured shock voltage (Measured shock voltage / kV)	4
Pollution degree (Pollution degree)	2
Current intensity (Current intensity / A)	12
RM (PIN SPACING / mm)	5
P (NO. OF POLES)	5
Height (Height / mm)	14.3
Width (Width / mm)	28.2
Depth (Depth / mm)	27.5
No. of connection Points (No. of connection Points)	5
No. of potentials (No. of potentials)	5
COLOR (COLOR)	lichtgrau
Comment (Comment)	A = (No. of poles x Pin Spacing) + 3,2 mm   B = A - 1,7 mm   C = A - 1,2 mm