

Printview: Male header (for PCBs); Angled solder pin 0.8 x 0.8 mm; 2-pole; pin spacing 2.5 mm / 0.098 in; 100% protected against mismatching; Horizontal PCB mounting; with closed end - Item No.: 733-362

WAGO® online catalog / eShop

Male header (for PCBs); Angled solder pin 0.8 x 0.8 mm; 2-pole; pin spacing 2.5 mm / 0.098 in; 100% protected against mismatching; Horizontal PCB mounting; with closed end

Item No.: 733-362



Male header (for PCBs); Angled solder pin 0.8 x 0.8 mm; 2-pole; pin spacing 2.5 mm / 0.098 in; 100% protected against mismatching; Horizontal PCB mounting; with closed end

Marking

RoHS ✓
Compliant

勝特力材料 886-3-5753170
勝特力电子(上海) 86-21-34970699
勝特力电子(深圳) 86-755-83298787
[Http://www.100y.com.tw](http://www.100y.com.tw)

Business data

Supplier	WAGO
Item no.	733-362
GTIN / EAN	4044918974325
Content	1
Order amount	200
Customer item number	

Notes

100% protected against mismatching; only mating halves with the same pole number can be connected together Coding option available

Technical data

Miscellaneous

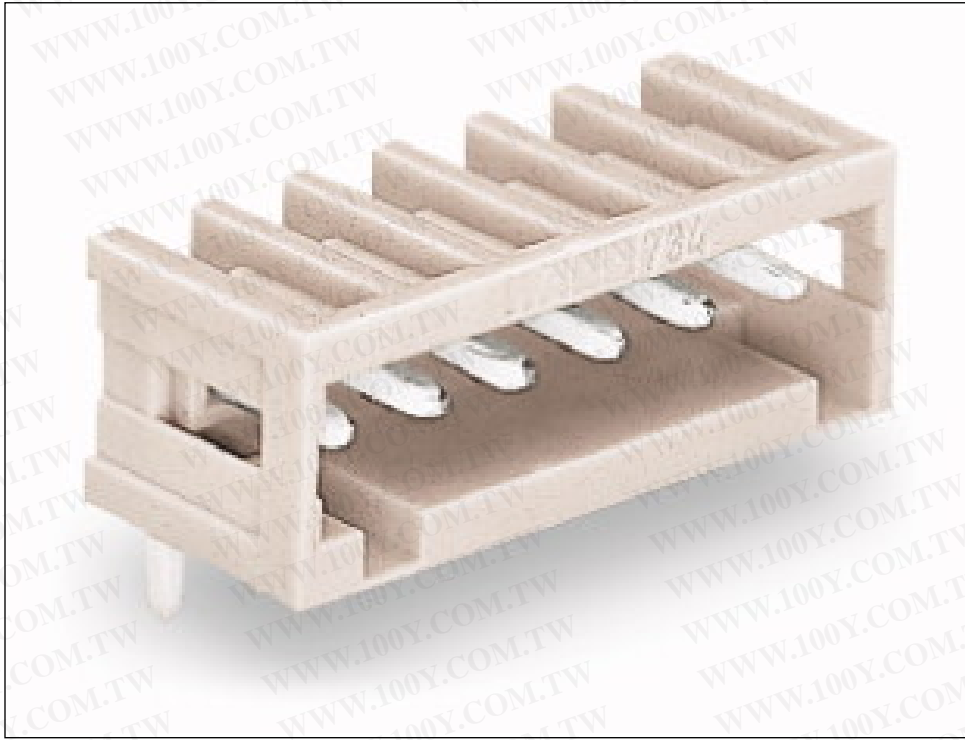
No. of poles	2
Pin Spacing	2.5 mm / 0.098 in %
Color	light gray
Ratings according to 1	IEC/EN 60664-1
Overtoltage category EN 1	III
Pollution degree (1)	2
Rated voltage EN (1) [V]	160 [V]

Printview: Male header (for PCBs); Angled solder pin 0.8 x 0.8 mm; 2-pole; pin spacing 2.5 mm / 0.098 in; 100% protected against mismatching; Horizontal PCB mounting; with closed end - Item No.: 733-362

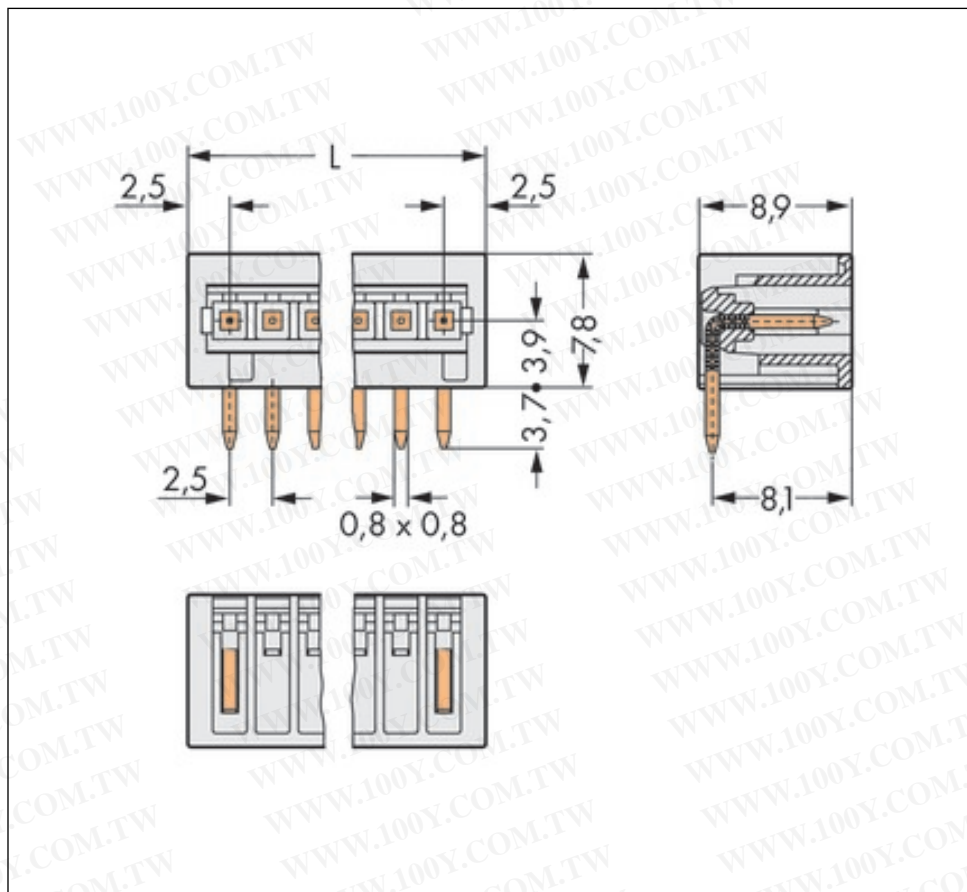
Technical data	
Rated surge voltage (1) [kV]	2.5 [kV]
Nominal current [A]	6 [A]
Overvoltage category EN 2	II
Degree of pollution (2)	2
Rated voltage EN (2) [V]	320 [V]
Rated surge voltage (2) [kV]	2.5 [kV]
Nominal current (2) [A]	6 [A]
Overvoltage category EN 3	III
Degree of pollution (3)	3
Rated voltage EN (3) [V]	80 [V]
Rated surge voltage (3) [kV]	2.5 [kV]
Nominal current (3) [A]	6 [A]
Solder pin length [mm]	3.7 [mm]
Solder pin width A [mm]	0.8 [mm]
Solder pin width B [mm]	0.8 [mm]
Tolerance of drilled hole [mm]	1.1(+ 0.1) [mm]
Material group	I
Insulating material	Polyamide 66 (PA 66)
Flammability rating per UL 94	V0
Limit temperature range	-60 C ... 100 C
Contact material	Electrolytic copper (Ecu)
Contact plating	tin-plated
Fire load [MJ]	0.007 [MJ]
Weight [g]	0.392 [g]
Width	7.5 mm / 0.295 in
Height	11.5 mm / 0.453 in
Height from the surface	7.8 mm / 0.307 in
Length	8.9 mm / 0.35 in

Printview: Male header (for PCBs); Angled solder pin 0.8 x 0.8 mm; 2-pole; pin spacing 2.5 mm / 0.098 in; 100% protected against mismatching; Horizontal PCB mounting; with closed end - Item No.: 733-362

Images & drawings



Printview: Male header (for PCBs); Angled solder pin 0.8 x 0.8 mm; 2-pole; pin spacing 2.5 mm / 0.098 in; 100% protected against mismatching; Horizontal PCB mounting; with closed end - Item No.: 733-362



Address

WAGO Kontakttechnik GmbH & Co. KG

Hansastr. 27

32423 Minden

Telefon: 0571/887-0

Fax: 0571/887-169

<http://www.wago.com>

© WAGO Kontakttechnik GmbH & Co. KG

Technische Änderungen und Irrtümer vorbehalten.

勝特力材料 886-3-5753170
勝特力电子(上海) 86-21-34970699
勝特力电子(深圳) 86-755-83298787
[Http://www.100y.com.tw](http://www.100y.com.tw)