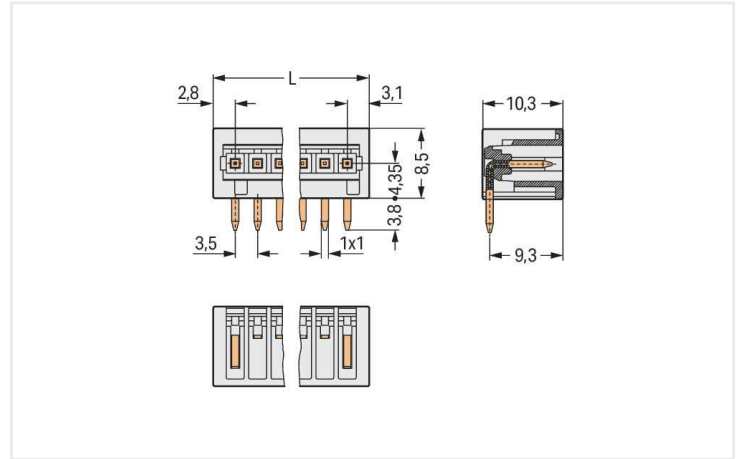


Data sheet | Item number: 734-164

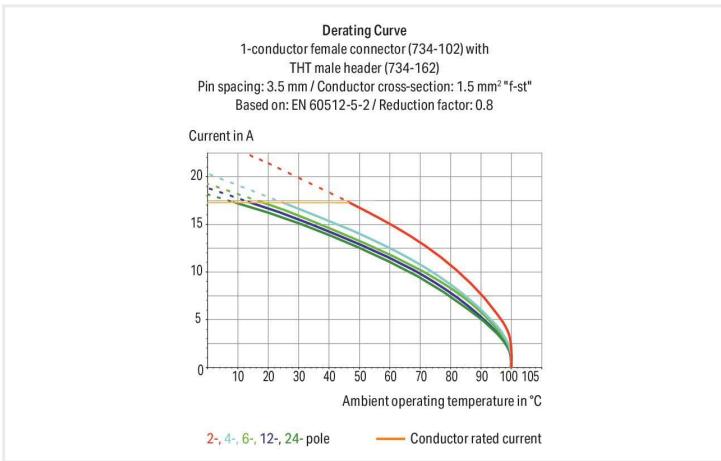
THT male header; 1.0 x 1.0 mm solder pin; angled; 100% protected against mismatching; Pin spacing 3.5 mm; 4-pole; light gray

<https://www.wago.com/734-164>



Dimensions in mm

$$L = (\text{pole no.} - 1) \times \text{pin spacing} + 5.9 \text{ mm}$$



勝特力電材超市-龍山店 886-3-5773766
勝特力電材超市-光復店 886-3-5729570
勝特力電子(上海) 86-21-34970699
勝特力電子(深圳) 86-755-83298787
<http://www.100y.com.tw>

- Horizontal or vertical PCB mounting via straight or angled solder pins
- 100% protected against mismatching; only mating halves with the same number of poles can be connected together
- Coding option available

Notes

Safety information 1

The MCS – MULTI CONNECTION SYSTEM includes connectors without breaking capacity in accordance with DIN EN 61984. When used as intended, these connectors must not be connected/disconnected when live or under load. When used as intended, these connectors must not be connected/disconnected when live or under load. The circuit design should ensure header pins, which can be touched, are not live when unmated.

Variants:

Other pole numbers
3.8 mm pin projection for male headers with straight solder pins
Gold-plated or partially gold-plated contact surfaces
Other versions (or variants) can be requested from WAGO Sales or configured at <https://configurator.wago.com/>.

Electrical data

Ratings per IEC/EN

Ratings per	IEC/EN 60664-1
Nominal voltage (III/3)	160 V
Rated impulse voltage (III/3)	2.5 kV
Rated voltage (III/2)	160 V
Rated impulse voltage (III/2)	2.5 kV
Nominal voltage (II/2)	320 V
Rated surge voltage (II/2)	2.5 kV
Rated current	10 A
Legend (ratings)	(III / 2) \triangleq Overvoltage category III / Pollution degree 2

Ratings per UL

Approvals per	UL 1059
Rated voltage UL (Use Group B)	300 V
Rated current UL (Use Group B)	10 A
Rated voltage UL (Use Group D)	300 V
Rated current UL (Use Group D)	10 A

Ratings per CSA

Approvals per	CSA
Rated voltage CSA (Use Group B)	300 V
Rated current CSA (Use Group B)	10 A
Rated voltage CSA (Use Group D)	300 V
Rated current CSA (Use Group D)	10 A

Connection data

Total number of potentials	4
Number of connection types	1
Number of levels	1

Connection 1

Pole number	4
-------------	---

Physical data

Pin spacing	3.5 mm / 0.138 inches
Width	16.4 mm / 0.646 inches
Height	12.3 mm / 0.484 inches
Height from the surface	8.5 mm / 0.335 inches
Depth	10.3 mm / 0.406 inches
Solder pin length	3.8 mm
Solder pin dimensions	1 x 1 mm
Drilled hole diameter with tolerance	1.4 ^(+0.1) mm

Mechanical data

Variable coding	Yes
Anti-rotation protection	Yes

Plug-in connection

Contact type (pluggable connector)	Male connector/plug
Connector (connection type)	for PCB
Mismating protection	Yes
Mating direction to the PCB	0°

PCB contact

PCB contact	THT
Solder pin arrangement	over the entire male connector (in-line)
Number of solder pins per potential	1

Material data

Note (material data)	Information on material data can be found here
Color	light gray
Material group	I
Insulation material	Polyamide (PA66)
Flammability class per UL94	V0
Contact material	Electrolytic copper (E _{Cu})
Contact plating	Tin
Fire load	0.018 MJ
Weight	1.1 g

Environmental requirements

Limit temperature range	-60 ... +100 °C
Processing temperature	-35 ... +60 °C

Commercial data

Product Group	3 (Multi Conn. System)
eCl@ss 10.0	27-44-04-02
eCl@ss 9.0	27-44-04-02
ETIM 8.0	EC002637
ETIM 7.0	EC002637
PU (SPU)	200 Stück
Packaging type	Box
Country of origin VKOrg Germany	PL
GTIN	4044918872263
Customs tariff number VKOrg Germany	85366990990

Downloads

Environmental Product Compliance

Compliance Search

Environmental Product Compliance 734-164



Documentation

Additional Information

Technical Section

03.04.2019

pdf

1949.09 KB



CAD/CAE-Data

CAD data

2D/3D Models 734-164



CAE data

EPLAN Data Portal 734-164



ZUKEN Portal 734-164



1 Compatible products

1.1 System counterpart

1.1.1 Female connector/socket



[Item no.: 734-104](#)

1-conductor female connector; CAGE CLAMP®; 1,5 mm²; Pin spacing 3,5 mm; 4-pole; 100% protected against mismatching; 1,50 mm²; light gray



[Item no.: 734-104/037-000](#)

1-conductor female connector; CAGE CLAMP®; 1,5 mm²; Pin spacing 3,5 mm; 4-pole; 100% protected against mismatching; Lateral locking levers; 1,50 mm²; light gray



[Item no.: 734-104/037-000/033-000](#)

1-conductor female connector; CAGE CLAMP®; 1,5 mm²; Pin spacing 3,5 mm; 4-pole; 100% protected against mismatching; Lateral locking levers; Strain relief plate; 1,50 mm²; light gray



[Item no.: 2734-1104/327-000](#)

1-conductor female connector; lever; Push-in CAGE CLAMP®; 1,5 mm²; Pin spacing 3,5 mm; 4-pole; 100% protected against mismatching; 1,50 mm²; light gray



[Item no.: 2734-1104/328-000](#)

1-conductor female connector; lever; Push-in CAGE CLAMP®; 1,5 mm²; Pin spacing 3,5 mm; 4-pole; 100% protected against mismatching; Centered locking levers; 1,50 mm²; light gray



[Item no.: 2734-104](#)

1-conductor female connector; push-button; Push-in CAGE CLAMP®; 1,5 mm²; Pin spacing 3,5 mm; 4-pole; 100% protected against mismatching; 1,50 mm²; light gray



[Item no.: 2734-104/031-000](#)

1-conductor female connector; push-button; Push-in CAGE CLAMP®; 1,5 mm²; Pin spacing 3,5 mm; 4-pole; 100% protected against mismatching; clamping collar; 1,50 mm²; light gray



[Item no.: 2734-104/037-000](#)

1-conductor female connector; push-button; Push-in CAGE CLAMP®; 1,5 mm²; Pin spacing 3,5 mm; 4-pole; 100% protected against mismatching; Lateral locking levers; 1,50 mm²; light gray



[Item no.: 2734-104/033-000](#)

1-conductor female connector; push-button; Push-in CAGE CLAMP®; 1,5 mm²; Pin spacing 3,5 mm; 4-pole; 100% protected against mismatching; Strain relief plate; 1,50 mm²; light gray

1.2 Optional accessories

1.2.1 Coding

1.2.1.1 Coding



Item no.: 734-159

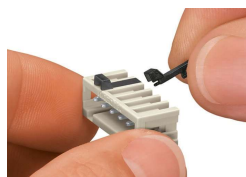
Coding key; to be snapped above top level; black

Item no.: 734-130

Coding key; to be snapped above top level; white

Installation notes

Coding



Coding a male header – fitting coding key (s).