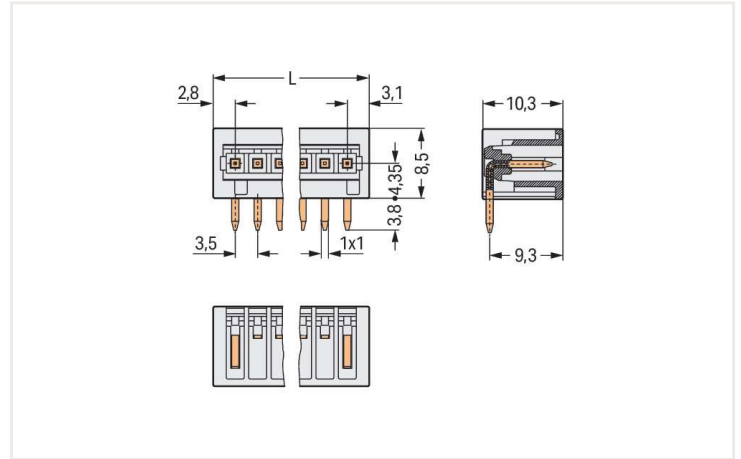
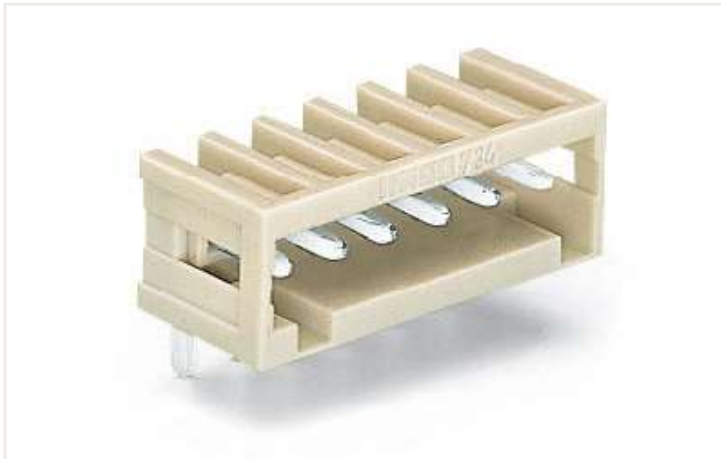


Data sheet | Item number: 734-172

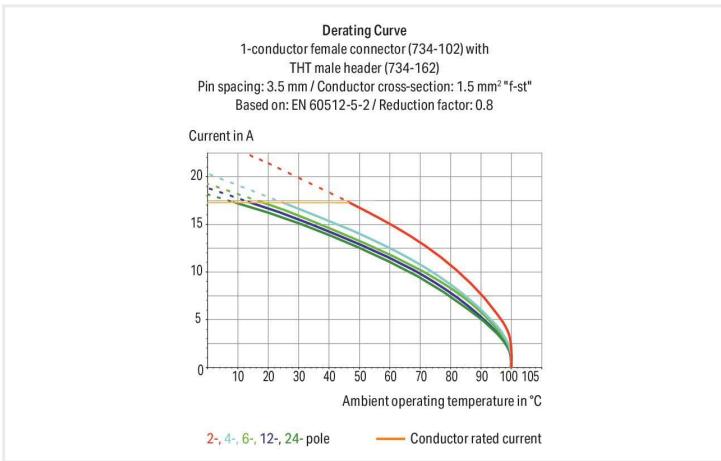
THT male header; 1.0 x 1.0 mm solder pin; angled; 100% protected against mismatching; Pin spacing 3.5 mm; 12-pole; light gray

<https://www.wago.com/734-172>



Dimensions in mm

$$L = (\text{pole no.} - 1) \times \text{pin spacing} + 5.9 \text{ mm}$$



勝特力電材超市-龍山店 886-3-5773766  
勝特力電材超市-光復店 886-3-5729570  
勝特力電子(上海) 86-21-34970699  
勝特力電子(深圳) 86-755-83298787  
<http://www.100y.com.tw>

- Horizontal or vertical PCB mounting via straight or angled solder pins
- 100% protected against mismatching; only mating halves with the same number of poles can be connected together
- Coding option available

## Notes

### Safety information 1

The MCS – MULTI CONNECTION SYSTEM includes connectors without breaking capacity in accordance with DIN EN 61984. When used as intended, these connectors must not be connected/disconnected when live or under load. When used as intended, these connectors must not be connected/disconnected when live or under load. The circuit design should ensure header pins, which can be touched, are not live when unmated.

### Variants:

Other pole numbers  
3.8 mm pin projection for male headers with straight solder pins  
Gold-plated or partially gold-plated contact surfaces  
Other versions (or variants) can be requested from WAGO Sales or configured at <https://configurator.wago.com/>.

## Electrical data

### Ratings per IEC/EN

Ratings per	IEC/EN 60664-1
Nominal voltage (III/3)	160 V
Rated impulse voltage (III/3)	2.5 kV
Rated voltage (III/2)	160 V
Rated impulse voltage (III/2)	2.5 kV
Nominal voltage (II/2)	320 V
Rated surge voltage (II/2)	2.5 kV
Rated current	10 A
Legend (ratings)	(III / 2) $\triangleq$ Overvoltage category III / Pollution degree 2

### Ratings per UL

Approvals per	UL 1059
Rated voltage UL (Use Group B)	300 V
Rated current UL (Use Group B)	10 A
Rated voltage UL (Use Group D)	300 V
Rated current UL (Use Group D)	10 A

### Ratings per CSA

Approvals per	CSA
Rated voltage CSA (Use Group B)	300 V
Rated current CSA (Use Group B)	10 A
Rated voltage CSA (Use Group D)	300 V
Rated current CSA (Use Group D)	10 A

## Connection data

Total number of potentials	12
Number of connection types	1
Number of levels	1

### Connection 1

Pole number	12
-------------	----

## Physical data

Pin spacing	3.5 mm / 0.138 inches
Width	44.4 mm / 1.748 inches
Height	12.3 mm / 0.484 inches
Height from the surface	8.5 mm / 0.335 inches
Depth	10.3 mm / 0.406 inches
Solder pin length	3.8 mm
Solder pin dimensions	1 x 1 mm
Drilled hole diameter with tolerance	1.4 <sup>(+0.1)</sup> mm

### Mechanical data

Variable coding	Yes
Anti-rotation protection	Yes

### Plug-in connection

Contact type (pluggable connector)	Male connector/plug
Connector (connection type)	for PCB
Mismating protection	Yes
Mating direction to the PCB	0°

### PCB contact

PCB contact	THT
Solder pin arrangement	over the entire male connector (in-line)
Number of solder pins per potential	1

### Material data

Note (material data)	<a href="#">Information on material data can be found here</a>
Color	light gray
Material group	I
Insulation material	Polyamide (PA66)
Flammability class per UL94	V0
Contact material	Electrolytic copper (E <sub>Cu</sub> )
Contact plating	Tin
Fire load	0.044 MJ
Weight	3 g

### Environmental requirements

Limit temperature range	-60 ... +100 °C
Processing temperature	-35 ... +60 °C

### Commercial data

Product Group	3 (Multi Conn. System)
eCl@ss 10.0	27-44-04-02
eCl@ss 9.0	27-44-04-02
ETIM 8.0	EC002637
ETIM 7.0	EC002637
PU (SPU)	100 Stück
Packaging type	Box
Country of origin VKOrg Germany	DE
GTIN	4044918872409
Customs tariff number VKOrg Germany	85366990990

**Downloads**

**Environmental Product Compliance**

Compliance Search	
Environmental Product Compliance 734-172	<a href="#">↓</a>

**Documentation**

Additional Information			
Technical Section	03.04.2019	pdf 1949.09 KB	<a href="#">↓</a>

**CAD/CAE-Data**

CAD data	
2D/3D Models 734-172	<a href="#">↓</a>

CAE data	
EPLAN Data Portal 734-172	<a href="#">↓</a>
ZUKEN Portal 734-172	<a href="#">↓</a>

**1 Compatible products**

**1.1 System counterpart**

**1.1.1 Female connector/socket**



**Item no.: 734-112**  
 1-conductor female connector; CAGE CLAMP®; 1,5 mm²; Pin spacing 3,5 mm; 12-pole; 100% protected against mismatching; 1,50 mm²; light gray



**Item no.: 734-112/037-000**  
 1-conductor female connector; CAGE CLAMP®; 1,5 mm²; Pin spacing 3,5 mm; 12-pole; 100% protected against mismatching; Lateral locking levers; 1,50 mm²; light gray



**Item no.: 2734-1112/327-000**  
 1-conductor female connector; lever; Push-in CAGE CLAMP®; 1,5 mm²; Pin spacing 3,5 mm; 12-pole; 100% protected against mismatching; 1,50 mm²; light gray



**Item no.: 2734-1112/328-000**  
 1-conductor female connector; lever; Push-in CAGE CLAMP®; 1,5 mm²; Pin spacing 3,5 mm; 12-pole; 100% protected against mismatching; Lateral locking levers; 1,50 mm²; light gray



**Item no.: 2734-112**  
 1-conductor female connector; push-button; Push-in CAGE CLAMP®; 1,5 mm²; Pin spacing 3,5 mm; 12-pole; 100% protected against mismatching; 1,50 mm²; light gray



**Item no.: 2734-112/027-000**  
 1-conductor female connector; push-button; Push-in CAGE CLAMP®; 1,5 mm²; Pin spacing 3,5 mm; 12-pole; 100% protected against mismatching; clamping collar; 1,50 mm²; light gray



**Item no.: 2734-112/031-000**  
 1-conductor female connector; push-button; Push-in CAGE CLAMP®; 1,5 mm²; Pin spacing 3,5 mm; 12-pole; 100% protected against mismatching; clamping collar; 1,50 mm²; light gray



**Item no.: 2734-112/037-000**  
 1-conductor female connector; push-button; Push-in CAGE CLAMP®; 1,5 mm²; Pin spacing 3,5 mm; 12-pole; 100% protected against mismatching; Lateral locking levers; 1,50 mm²; light gray

**1.2 Optional accessories**

**1.2.1 Coding**

**1.2.1.1 Coding**



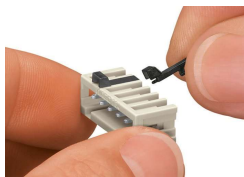
**Item no.: 734-159**  
 Coding key; to be snapped above top level; black



**Item no.: 734-130**  
 Coding key; to be snapped above top level; white

## Installation notes

### Coding



Coding a male header – fitting coding key (s).