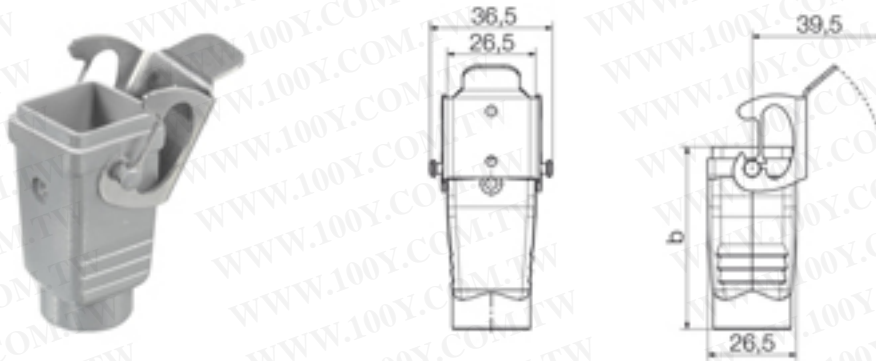


勝特力材料 886-3-5753170  
 勝特力电子(上海) 86-21-34970699  
 勝特力电子(深圳) 86-755-83298787  
[Http://www.100y.com.tw](http://www.100y.com.tw)



#### General ordering data

Order No.	1652500000
Part designation	HDC 04A KOLU 1PG11G
Version	HDC enclosures, Size: 1, IP 65, Coupling, longitudinal locking, PG 11
EAN	4008190402570
Qty.	1 pc(s).

#### Dimensions

Total length	36.5 mm
Width housing C	26.8 mm
Height of housing B	53.5 mm
Hole pitch length A2	0 mm
Cable entry	PG 11

#### General data

Protection class	IP 65
Housing main material	diecast aluminium
Colour	grey
Temperature, min.	-40 °C
Temperature, max.	125 °C

#### Version

Type of housing	Coupling housing
Cable entry	w. threading
Number of cable entry on top	1
Number of cable entry sideways	0
Cover	without cover
Cover	without cover
Size	1
Design	standard
Upper part/Lower part/Cover	Lower part
locking system	End-locking clamp, lower side
Cable entry	PG 11

#### Approvals

Approvals institutes



#### Downloads

EPLAN	1652500000.MZF
PDF	1652500000_HDC_04A_KLU_1PG11G_STP_Blatt__1.pdf
DXF	1652500000_HDC_04A_KLU_1PG11G_STP.dxf
IGES	1652500000_HDC_04A_KLU_1PG11G_STP.igs
STEP	1652500000_HDC_04A_KLU_1PG11G_STP.stp
VRML	1652500000_HDC_04A_KLU_1PG11G_STP.wrl

#### Classifications

ETIM 2.0	EC000437
ETIM 3.0	EC000437
eClass 4.1	27-14-08-05
eClass 5.0	27-14-34-19
eClass 5.1	27-14-34-19

#### Similar products

Order No.	Part designation	Version
1899920000	HDC 04A KOLU 1PG11S BL	HDC enclosures, Size: 1, IP 65, Coupling, longitudinal locking, PG 11
1788840000	HDC 04A KOLU 1M20G	HDC enclosures, Size: 1, IP 65, Coupling, longitudinal locking, M 20

**勝特力材料 886-3-5753170**  
**勝特力电子(上海) 86-21-34970699**  
**勝特力电子(深圳) 86-755-83298787**  
[Http://www.100y.com.tw](http://www.100y.com.tw)