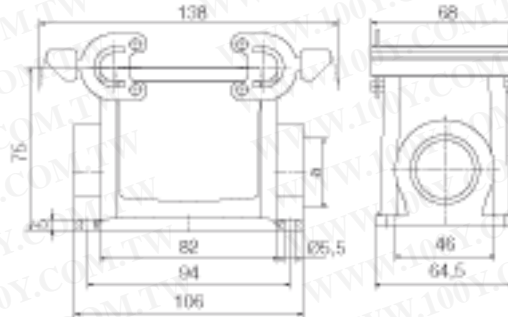


勝特力材料 886-3-5753170
 勝特力电子(上海) 86-21-34970699
 勝特力电子(深圳) 86-755-83298787
[Http://www.100y.com.tw](http://www.100y.com.tw)



General ordering data

Order No.	1666010000
Part designation	HDC 32A SBU 1PG29G
Version	HDC enclosures, Size: 7, IP 65 / IP 66, Base, transversal locking, standard
EAN	4008190423049
Qty.	1 pc(s).

Dimensions

Total length	82 mm
Width housing C	56 mm
Width base C1	57 mm
Height of housing B	75 mm
Height of base B1	5 mm
Mounting hole distance, width C2	46 mm
Hole pitch length A2	82 mm
Cable entry	PG 29

General data

Protection class	IP 65 / IP 66
Housing main material	diecast aluminium
Colour	grey
Temperature, min.	-40 °C
Temperature, max.	125 °C

Version

Type of housing	Base housing
Cable entry	w. threading
Number of cable entry on top	0
Number of cable entry sideways	1
Cover	without cover
Cover	without cover
Size	7
Design	standard
Upper part/Lower part/Cover	Lower part

勝特力材料 886-3-5753170
 勝特力电子(上海) 86-21-34970699
 勝特力电子(深圳) 86-755-83298787
[Http://www.100y.com.tw](http://www.100y.com.tw)

Version

locking system Side-locking clamp on lower side
 Cable entry PG 29

Approvals

Approvals institutes



Downloads

EPLAN	1666010000.MZF
PDF	1666010000_HDC_32A_SBU_1PG29G_STP_Blatt__1.pdf
DXF	1666010000_HDC_32A_SBU_1PG29G_STP.dxf
IGES	1666010000_HDC_32A_SBU_1PG29G_STP.igs
STEP	1666010000_HDC_32A_SBU_1PG29G_STP.stp
VRML	1666010000_HDC_32A_SBU_1PG29G_STP.wrl

Classifications

ETIM 2.0	EC000437
ETIM 3.0	EC000437
eClass 4.1	27-14-08-05
eClass 5.0	27-14-34-19
eClass 5.1	27-14-34-19

Similar products

Order No.	Part designation	Version
1903870000	HDC 32A SBU 1M25G	HDC enclosures, Size: 7, IP 65 / IP 66, Base, transversal locking, standard
1788040000	HDC 32A SBU 2M25G	HDC enclosures, Size: 7, IP 65 / IP 66, Base, transversal locking, standard
1665980000	HDC 32A SBU 2PG21G	HDC enclosures, Size: 7, IP 65 / IP 66, Base, transversal locking, standard