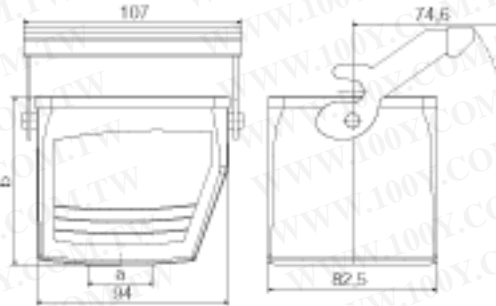


勝特力材料 886-3-5753170  
 勝特力电子(上海) 86-21-34970699  
 勝特力电子(深圳) 86-755-83298787  
[Http://www.100y.com.tw](http://www.100y.com.tw)



#### General ordering data

Order No.	1788500000
Part designation	HDC 32B KLU 1M32G
Version	HDC enclosures, Size: 10, IP 65 / IP 66, Coupling, longitudinal locking, M 32
EAN	4032248206032
Qty.	1 pc(s).

#### Dimensions

Total length	95 mm
Width housing C	82.5 mm
Height of housing B	83 mm
Hole pitch length A2	0 mm
Cable entry	M 32

#### General data

Protection class	IP 65 / IP 66
Housing main material	diecast aluminium
Colour	grey
Temperature, min.	-40 °C
Temperature, max.	125 °C

#### Version

Type of housing	Coupling housing
Cable entry	w. threading
Number of cable entry on top	1
Number of cable entry sideways	0
Cover	without cover
Cover	without cover
Size	10
Design	standard
Upper part/Lower part/Cover	Lower part
locking system	End-locking clamp, lower side
Cable entry	M 32

勝特力材料 886-3-5753170  
勝特力电子(上海) 86-21-34970699  
勝特力电子(深圳) 86-755-83298787  
[Http://www.100y.com.tw](http://www.100y.com.tw)

#### Approvals

Approvals institutes



#### Downloads

EPLAN	1788500000.MZF
PDF	1788500000_HDC_32B_KLU_1M32G_STP_Blatt__1.pdf
DXF	1788500000_HDC_32B_KLU_1M32G_STP.dxf
IGES	1788500000_HDC_32B_KLU_1M32G_STP.igs
STEP	1788500000_HDC_32B_KLU_1M32G_STP.stp
VRML	1788500000_HDC_32B_KLU_1M32G_STP.wrl

#### Classifications

ETIM 2.0	EC000437
ETIM 3.0	EC000437
eClass 4.1	27-14-08-05
eClass 5.0	27-14-34-19
eClass 5.1	27-14-34-19

#### Similar products

Order No.	Part designation	Version
-----------	------------------	---------