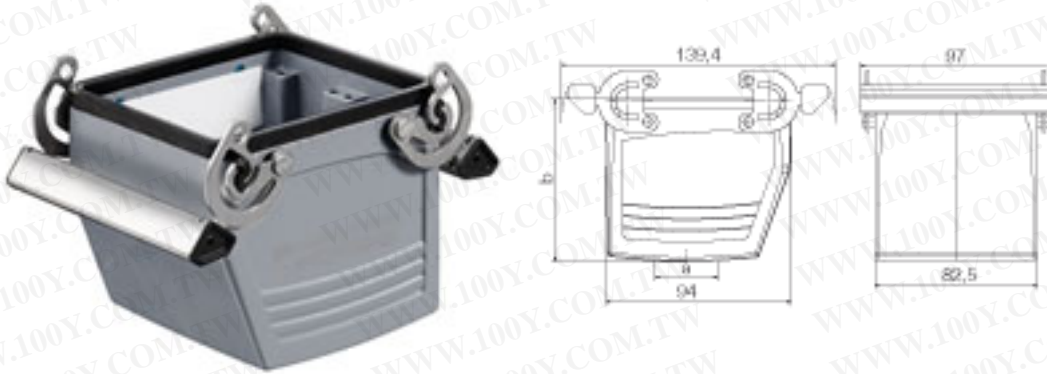


勝特力材料 886-3-5753170
 勝特力电子(上海) 86-21-34970699
 勝特力电子(深圳) 86-755-83298787
[Http://www.100y.com.tw](http://www.100y.com.tw)



General ordering data

Order No.	1902740000
Part designation	HDC 32B KBU 1PG29G
Version	HDC enclosures, Size: 10, IP 65 / IP 66, Coupling, transversal locking, PG 29
EAN	4032248585687
Qty.	1 pc(s).

Dimensions

Total length	95 mm
Width housing C	82.5 mm
Height of housing B	83 mm
Hole pitch length A2	0 mm
Cable entry	PG 29

General data

Protection class	IP 65 / IP 66
Housing main material	diecast aluminium
Colour	grey
Temperature, min.	-40 °C
Temperature, max.	125 °C

Version

Type of housing	Coupling housing
Cable entry	w. threading
Number of cable entry on top	1
Number of cable entry sideways	0
Cover	without cover
Cover	without cover
Size	10
Design	standard
Upper part/Lower part/Cover	Lower part
locking system	Side-locking clamp on lower side
Cable entry	PG 29

勝特力材料 886-3-5753170
 勝特力电子(上海) 86-21-34970699
 勝特力电子(深圳) 86-755-83298787
[Http://www.100y.com.tw](http://www.100y.com.tw)

Approvals

Approvals institutes



Downloads

EPLAN	1902740000.MZF
PDF	1902740000_HDC_32B_KBU_1PG29G_STP_Blatt__1.pdf
DXF	1902740000_HDC_32B_KBU_1PG29G_STP.dxf
IGES	1902740000_HDC_32B_KBU_1PG29G_STP.igs
STEP	1902740000_HDC_32B_KBU_1PG29G_STP.stp
VRML	1902740000_HDC_32B_KBU_1PG29G_STP.wrl

Classifications

ETIM 2.0	EC000437
ETIM 3.0	EC000437
eClass 4.1	27-14-08-05
eClass 5.0	27-14-34-19
eClass 5.1	27-14-34-19

Similar products

Order No.	Part designation	Version
1902730000	HDC 32B KBU 1M40G	HDC enclosures, Size: 10, IP 65 / IP 66, Coupling, transversal locking, M 40
1902750000	HDC 32B KBU 1PG36G	HDC enclosures, Size: 10, IP 65 / IP 66, Coupling, transversal locking, PG 29