



产品编号 : [02092166](#)

Product Description : 2.36mm Diameter, Standard .093" Pin and Socket Crimp Terminal, Series 4549, Male, with Tin (Sn) Plated Phosphor Bronze Contact, 14-20 AWG, Reel Packaged

系列号 : 4549

状态 : Active

Product Category : Crimp Terminals

工程编号 : 4549-(P909)



文件和资源

图纸


[图纸 002092166_sd.pdf](#)

规格

[产品规格 PS-02-09-001.pdf](#)

产物环境合规

合规

GADSL/IMDS	Not Relevant
China RoHS	
EU ELV	Not Relevant
Low-Halogen Status	Low-Halogen per IEC 61249-2-21
REACH SVHC	Not Contained per D(2023)3788-DC (14 Jun 2023)
EU RoHS	Compliant per EU 2015/863

多部分产品合规性声明

- Eu RoHS
- REACH SVHC
- Low-Halogen

多部分行业合规性文件

- IPC 1752A Class C
- IPC 1752A Class D

- Molex Product Compliance Declaration

- IEC-62474

- chemSHERPA (xml)

欧盟 RoHS 合格证书

产品详情

常规

状态	活动
类别	Crimp Terminals
系列	4549
说明	2.36mm Diameter, Standard .093" Pin and Socket Crimp Terminal, Series 4549, Male, with Tin (Sn) Plated Phosphor Bronze Contact, 14-20 AWG, Reel Packaged
应用	Power, Wire-to-Wire
产品系列	Standard .093" Pin and Socket Connectors
产品名称	Standard .093"
UPC	800753746121

物理

性别	男
材料 - 金属	Phosphor Bronze
材料 - 接合部位电镀	Tin
材料 - 终端电镀	Tin
净重	0.414/g
包装形式	Reel
最薄镀层 - 接合部位	2.540µm
最薄镀层 - 端接	2.540µm
终端界面类型	Crimp or Compression
导线绝缘直径	1.65-4.06mm
线径规格 (AWG)	14, 16, 18, 20
线缆尺寸mm ²	不适用

进程

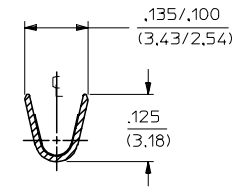
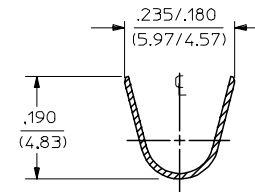
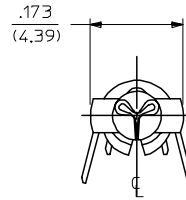
无铅	不适用
----	-----

施工工具

全局

描述	产品编号
Extraction Tool for Standard .093" Pin and Socket Terminals	<u>0011030006</u>
Terminator Die	<u>0011402001</u>
Extractor Tool for .093 and HCS-125 Product Series	<u>0638240200</u>
Mini-Mac Applicator for Standard .093" Pin and Socket Terminals, for 14-20 AWG Wire with Insulation Diameter 1.65-4.06mm	<u>0638927100</u>
Mini-Mac Applicator for Standard .093" Pin and Socket Terminals, for 14-20 AWG Wire with Insulation Diameter 1.65-4.06mm	<u>0638927300</u>

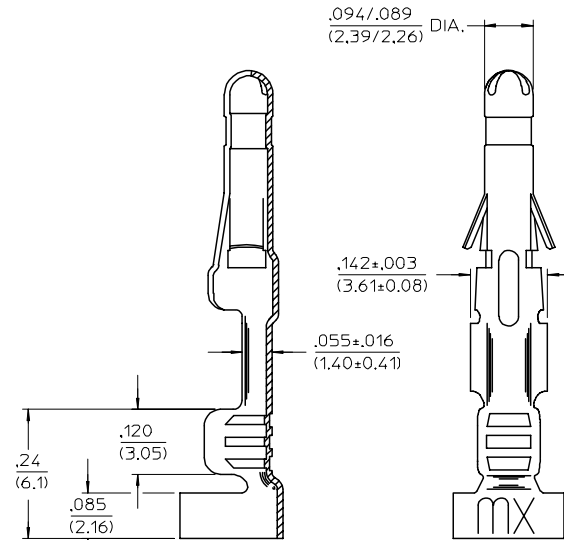
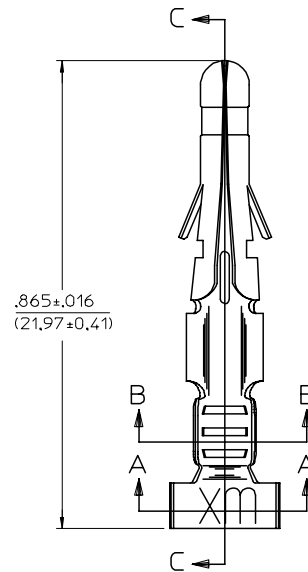
PART NO.	ENG. NO.
02-09-2166	4549-(P909)
02-09-2167	4549-(P909)L
02-09-3203	4549-(999)
-	-
-	-
-	-



SECTION "A-A"

SECTION "B-B"

LEGEND
 4549-(****)*
 P=PREPLATE FINISH CODE
 BLANK=POSTPLATE FORM
 BLANK=CHAIN
 L=LOOSE



SECTION "C-C"

- NOTES:
- MATERIAL: PHOSPHOR BRONZE
 - FINISH CODES:
 999 UNPLATED
 909 HOT TIN DIP .000100/(0.00250) MIN.
 * THE PRIMARY SHIPPING CARTON WILL BE LABELED, "COMPLIANT TO RoHS 2002/95/EC AND ELV ANNEX II OF DIRECTIVE 2000/53/EC", AND CARTONS WITHOUT THIS LABEL MAY CONTAIN PRODUCT WITH TIN-LEAD.
 - PRODUCT SPECIFICATION: PS-02-09
 - PACKAGING INFORMATION: NOT AVAILABLE
 - TERMINAL FOR USE WITH .093/(2.36) SERIES HOUSINGS AND WILL ACCEPT 14 THRU 20 AWG WIRE.
 - INSERTION FORCE: 3.5 LBS. MAX. WHEN TERMINAL IS INSERTED INTO AN .093 SERIES HOUSING.
 - RETENTION: 20 LBS. MIN FROM HOUSING



LTR.	REVISIONS
C1	REMOVE STOP SIGN UCP2005-0278 RHOLTS 8/23/04
C	REVISED/REDRAWN UCP2005-0194 RHOLTS 7/30/04
B	ADD .(999) W/EDP * ECR U1 1880 12/28/92 RW
A	FINAL RELEASE ECR U1 0857 6/6/12/92 RW

REMOVE STOP SIGN EC NO: UCP2005-0278 DRAWN/RHOLTS 2004/08/27 CHKD/FSM/TH 2004/08/27 APPR/FSM/TH 2004/08/31	QUALITY SYMBOLS ▽=0 ▽=0	GENERAL TOLERANCES (UNLESS SPECIFIED)		DIMENSION STYLE IN/MM		SCALE 6:1	DESIGN UNITS INCH	THIRD ANGLE PROJECTION	
		4 PLACES ± --- ± ---	GWC	DRAWN BY GWC	DATE 1992/06/12	TITLE CRIMP TERMINAL, MALE, .093/(2.36) DIA. FOR 14-20 AWG WIRE			
C1	REV	3 PLACES ± --- ± .010	CHECKED BY RW	DATE 1992/06/12	APPROVED BY GWF	DATE 1992/06/12	MOLEX INCORPORATED		
		2 PLACES ± 0.25 ± .014	MATERIAL NO.		DOCUMENT NO.	SD-4549-*		SHEET NO. 1 OF 1	
DRAFT WHERE APPLICABLE MUST REMAIN WITHIN DIMENSIONS		SEE CHART		THIS DRAWING CONTAINS INFORMATION THAT IS PROPRIETARY TO MOLEX INCORPORATED AND SHOULD NOT BE USED WITHOUT WRITTEN PERMISSION					