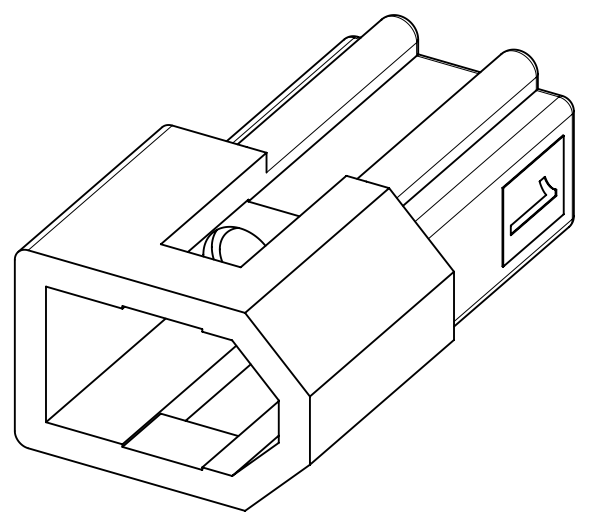
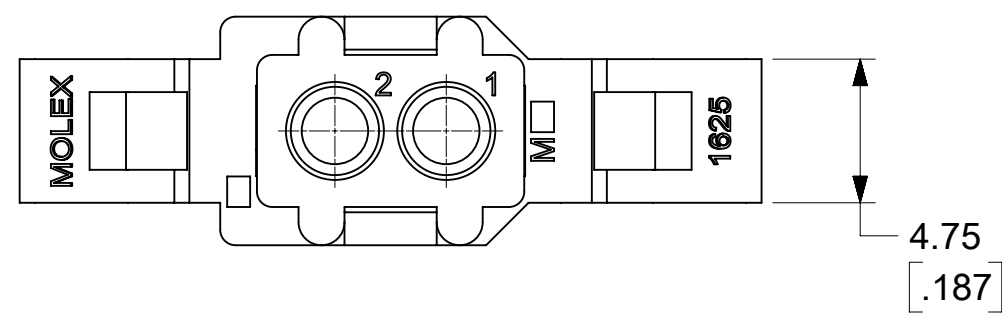
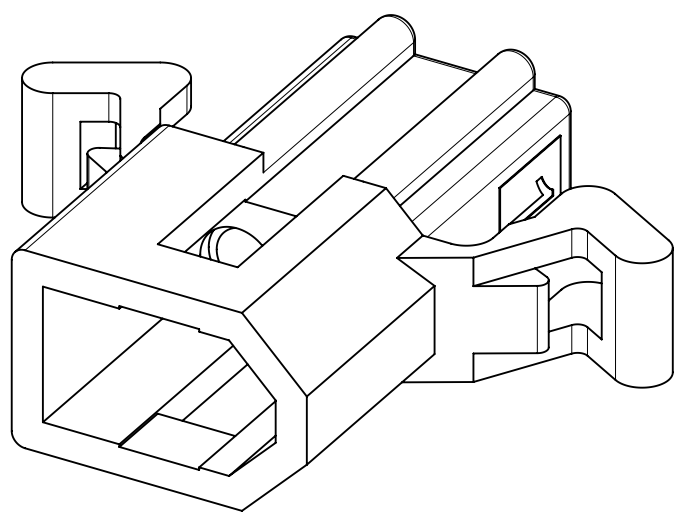


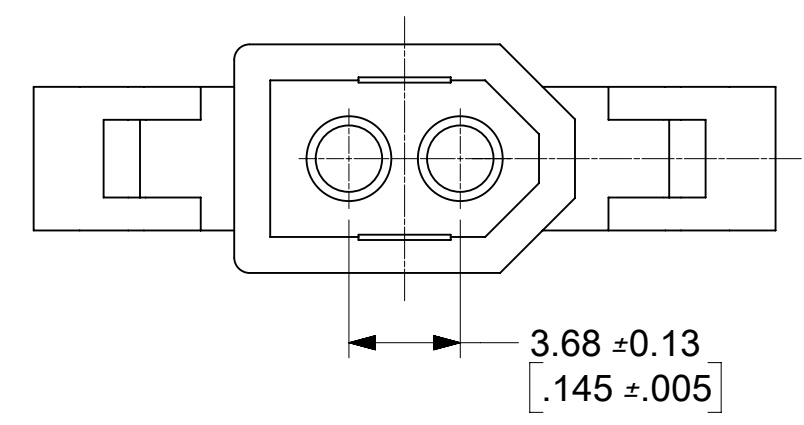
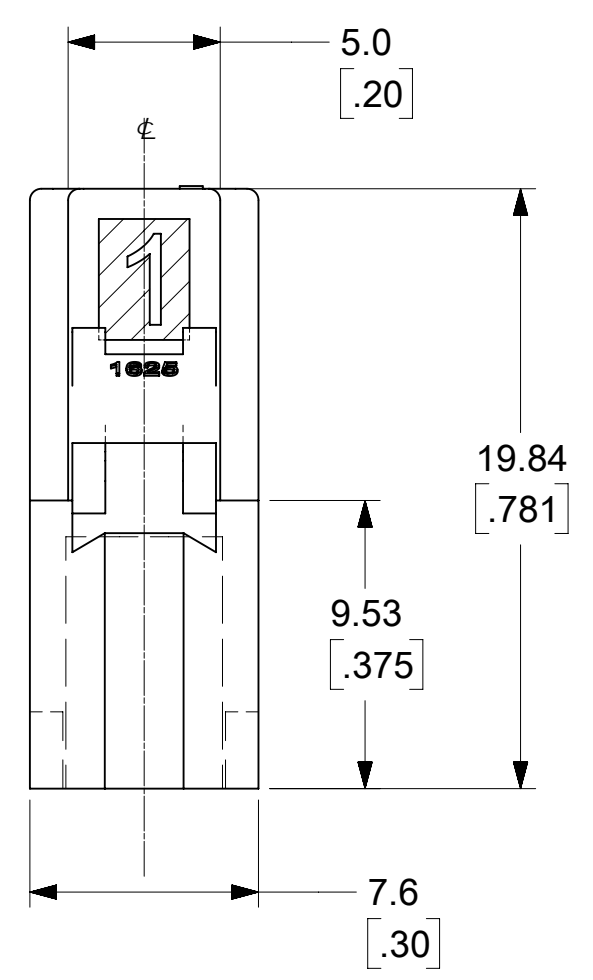
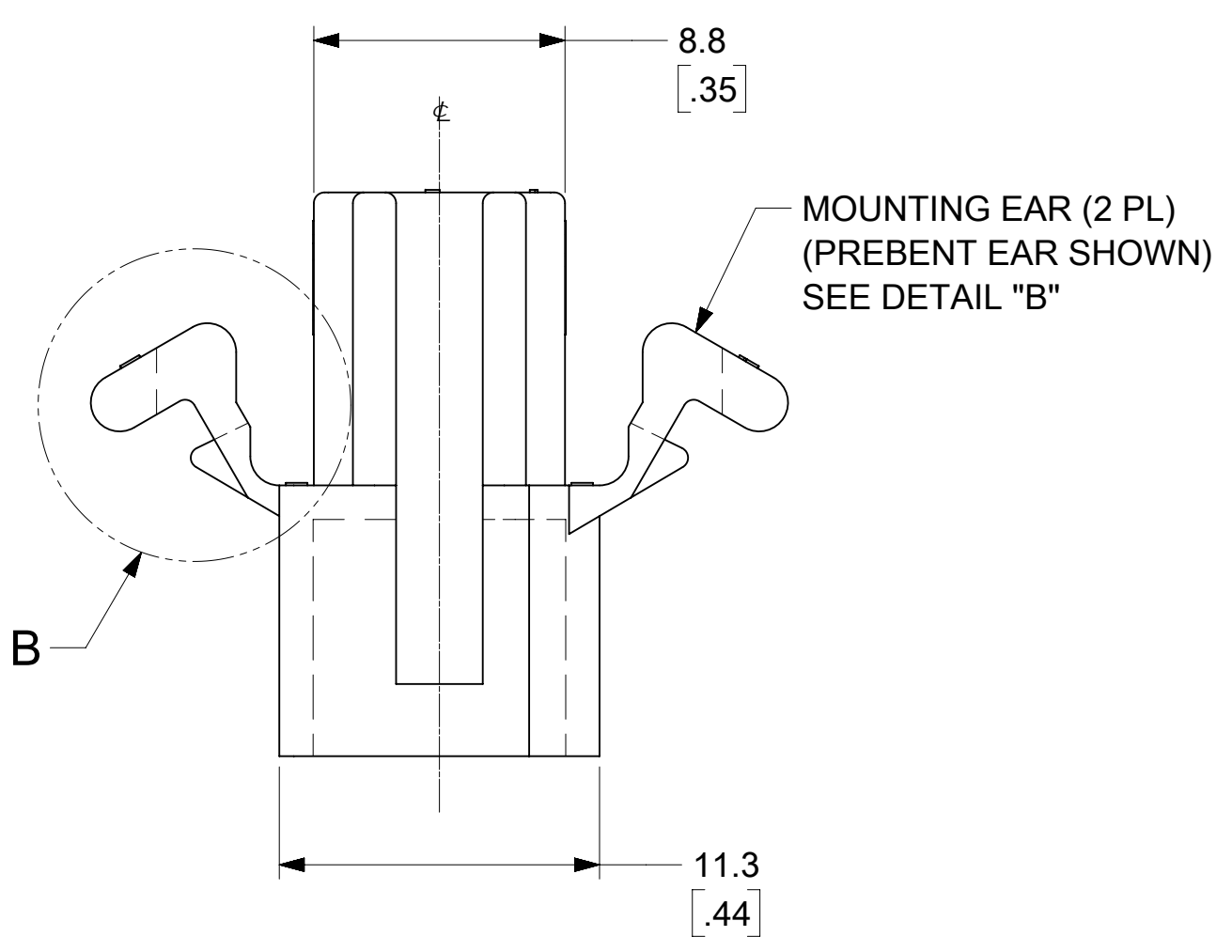
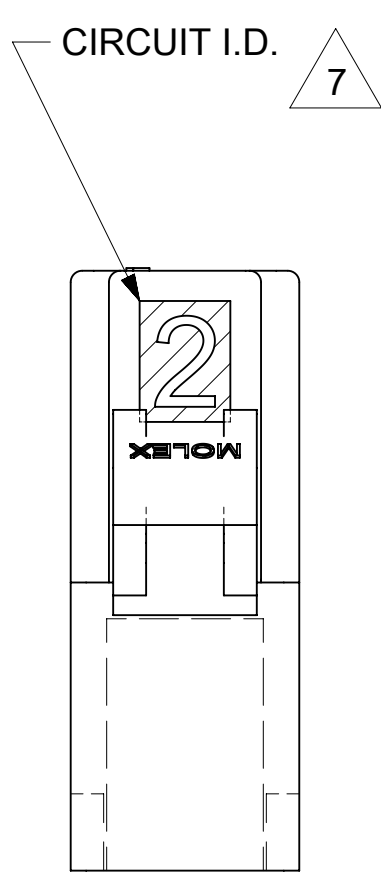
勝特力電材超市-龍山店 886-3-5773766
 勝特力電材超市-光復店 886-3-5729570
 勝特力電子(上海) 86-21-34970699
 勝特力電子(深圳) 86-755-83298787
<http://www.100y.com.tw>



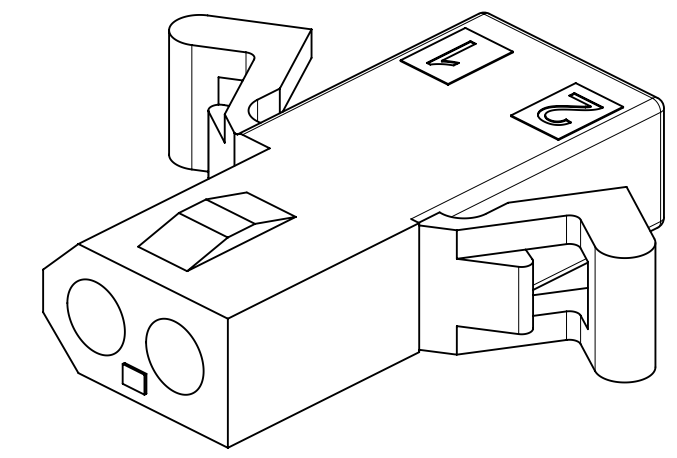
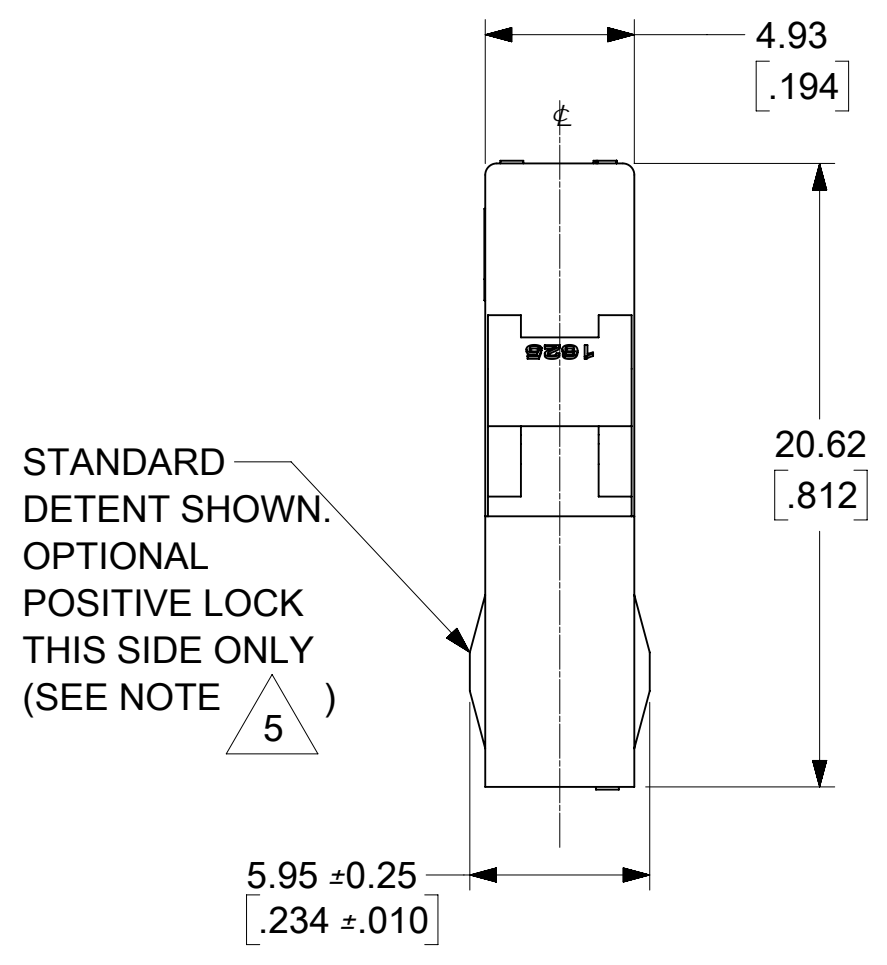
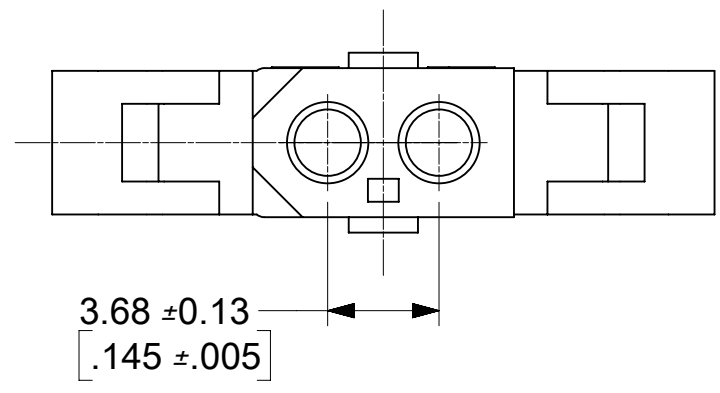
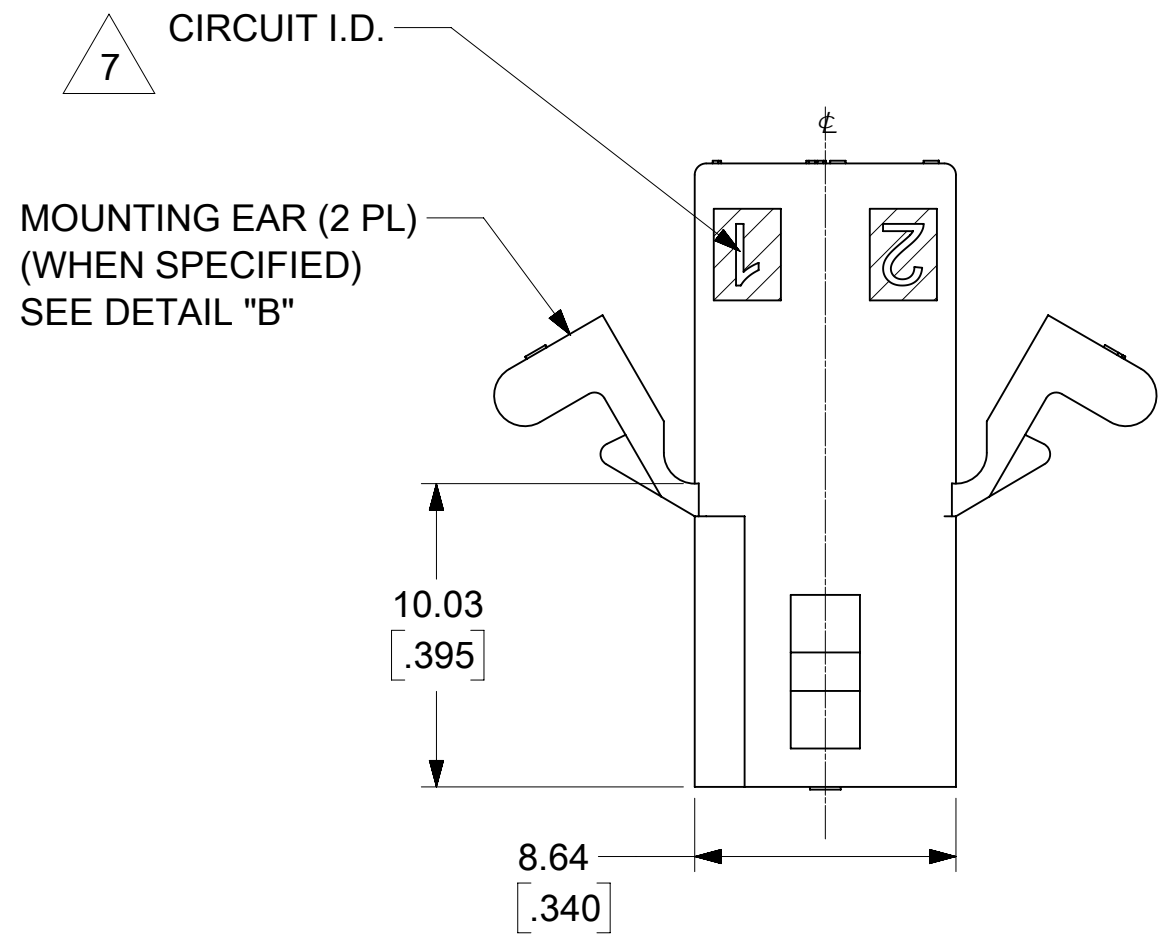
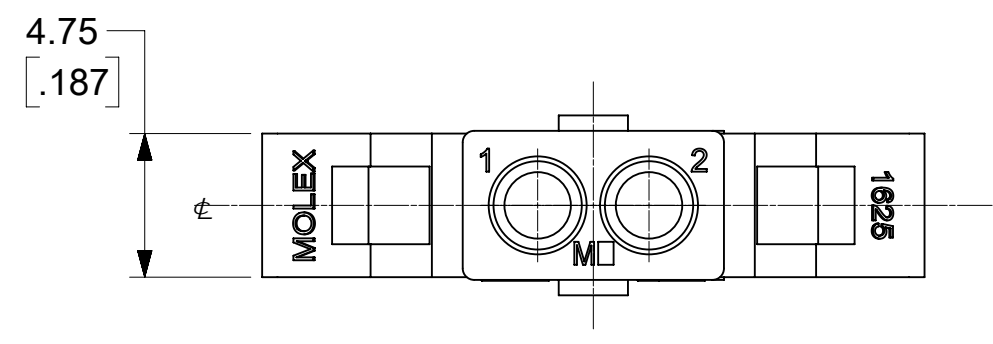
PLUG HOUSING WITH NO EARS



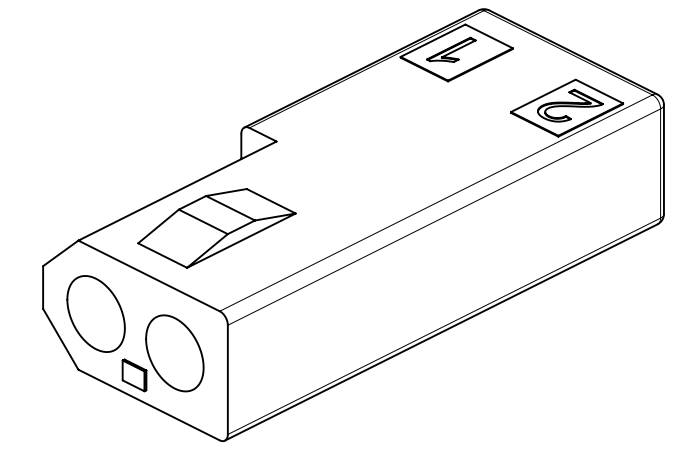
PLUG HOUSING WITH PREBENT EARS



QUALITY SYMBOLS □ = 0 ▽ = 0 ▽ = 0 ▽ = 0 ▽ = 0 ▽ = 0 ▽ = 0 ▽ = 0 ▽ = 0 ▽ = 0 ▽ = 0 ▽ = 0		THIS DRAWING CONTAINS INFORMATION THAT IS PROPRIETARY TO MOLEX ELECTRONIC TECHNOLOGIES, LLC AND SHOULD NOT BE USED WITHOUT WRITTEN PERMISSION				DIMENSION UNITS MM/IN		SCALE 4:1							
REDRAWING IN NX EC NO: 120335 DRWN: MKIPPER CHKD: MKIPPER REV / APPR: FSMITH		GENERAL TOLERANCES (UNLESS SPECIFIED) 4 PLACES ± ± 3 PLACES ± ± 0.007 2 PLACES ± 0.18 ± 0.01 1 PLACES ± 0.25 ± 0 PLACES ± ±		DRWN BY ZHARPER		DATE 2017/06/20		PRODUCT CUSTOMER DRAWING							
A		ANGULAR TOL = 1.0 DRAFT WHERE APPLICABLE MUST REMAIN WITHIN DIMENSIONS		APPR BY FSMITH		DATE 2017/06/30		SERIES 1625		MATERIAL NUMBER SEE CHART		CUSTOMER			
RELEASE STATUS P1		RELEASE DATE 10.08.2017 20:12:36		DRAWING SIZE C		THIRD ANGLE PROJECTION		DOCUMENT NUMBER 16250200-SD		DOC TYPE PSD		DOC PART 000		SHEET NUMBER 1 OF 3	



RECEPTACLE HOUSING
(1625-2R2 SHOWN)



RECEPTACLE HOUSING
(1625-2R3 SHOWN)

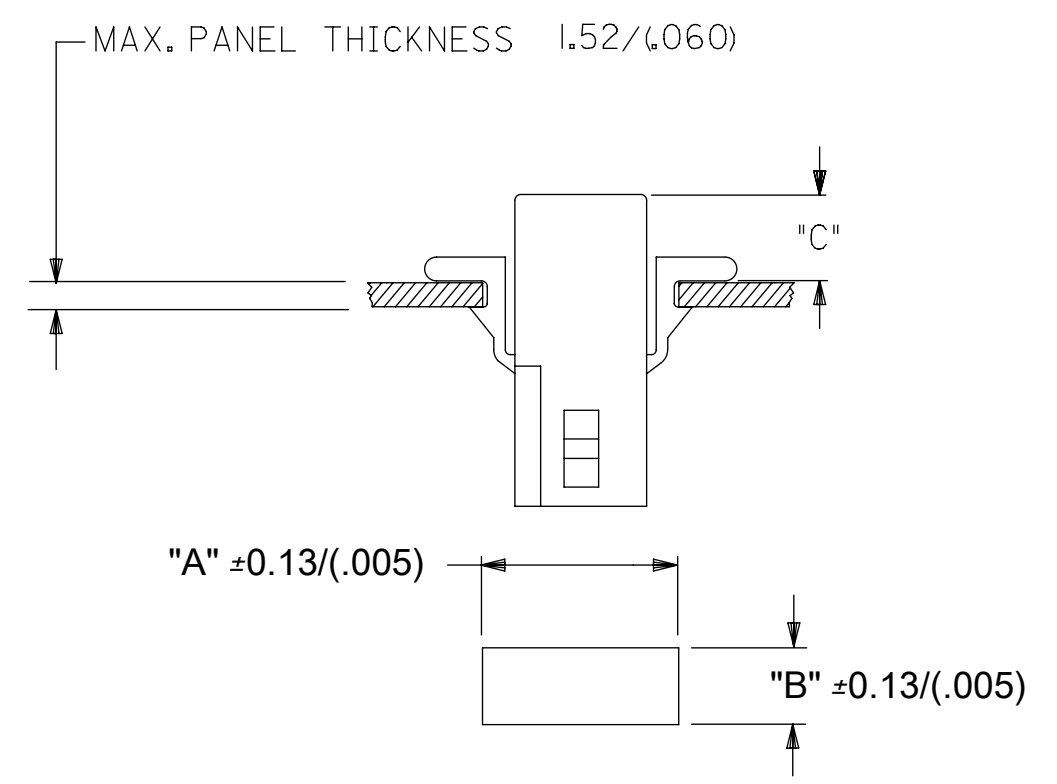
QUALITY SYMBOLS		THIS DRAWING CONTAINS INFORMATION THAT IS PROPRIETARY TO MOLEX ELECTRONIC TECHNOLOGIES, LLC AND SHOULD NOT BE USED WITHOUT WRITTEN PERMISSION										
▽ = 0	▽ = 0	REDRAWING IN NX EC NO: 120335 DRWN: MKIPPER CHKD: MKIPPER REV / APPR: FSMITH	GENERAL TOLERANCES (UNLESS SPECIFIED)				DIMENSION UNITS	SCALE	molex			
▽ = 0	▽ = 0		MM		INCH		MM/IN	4:1				
▽ = 0	▽ = 0		4 PLACES	±	±	DRWN BY	DATE	.062 2CKT PLUG AND RECEPTACLE HOUSING				
▽ = 0	▽ = 0		3 PLACES	±	± 0.007	ZHARPER	2017/06/20					
▽ = 0	▽ = 0		2 PLACES	± 0.18	± 0.01	CHK'D BY	DATE	PRODUCT CUSTOMER DRAWING				
▽ = 0	▽ = 0		1 PLACES	± 0.25	±	MKIPPER	2017/06/20					
▽ = 0	▽ = 0	0 PLACES	±	±	APPR BY	DATE	SERIES MATERIAL NUMBER CUSTOMER 1625 SEE CHART					
▽ = 0	▽ = 0	ANGULAR TOL = 1.0		DRAWING SIZE		THIRD ANGLE PROJECTION					DOCUMENT NUMBER DOC TYPE DOC PART SHEET NUMBER 16250200-SD PSD 000 2 OF 3	
▽ = 0	▽ = 0	DRAFT WHERE APPLICABLE MUST REMAIN WITHIN DIMENSIONS				C						

PLUG	
PART NO.	ENG. NO.
03-06-7023	1625-2P1BK
03-06-2023	1625-2P1
03-06-2024	1625-2P2

PLUG LEGEND:
 1625-2P **
 CIRCUIT SIZE
 P = PLUG
 1 = WITHOUT MOUNTING EARS
 2 = WITH PREBENT MOUNTING EARS
 BLANK = NATURAL
 BK = BLACK

RECEPTACLE	
PART NO.	ENG. NO.
03-06-6023	1625-2R1BK
03-06-1023	1625-2R1
03-06-1022	1625-2R2

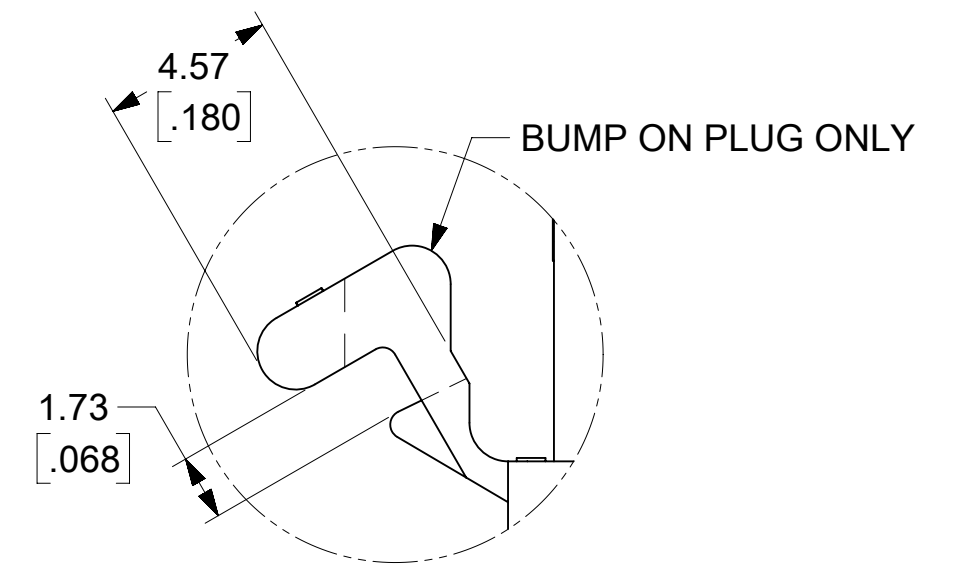
RECEPTACLE LEGEND:
 1625-2R **
 CIRCUIT SIZE
 R = RECEPTACLE
 1 = WITHOUT MOUNTING EARS; WITH DETENTS
 2 = WITH PREBENT MOUNTING EARS; WITH DETENTS
 BLANK = NATURAL
 BK = BLACK



"A" $\pm 0.13/(.005)$
 "B" $\pm 0.13/(.005)$
 "C"

RECOMMENDED HOLE PATTERN
 (NOT TO SCALE)

HOUSING	DIM. "A"	DIM. "B"	PREBENT EAR DIM. "C"	STD. EAR DIM. "C"
PLUG	15.47 [.609]	8.08 [.318]	6.0 [.24]	6.1 [.24]
RECEPTACLE	12.83 [.505]	6.73 [.265]	6.4 [.25]	6.4 [.25]



DETAIL B
 SCALE 5:1

- NOTES:**
1. MATERIAL - NYLON TYPE 6/6, 94V-2
 2. FINISH: NONE
 3. PRODUCT SPECIFICATION: PS-02-06
 4. PACKAGING SPECIFICATION: PK-1625-003.
 5. HOUSING FOR USE WITH MOLEX .062/(1.57) DIA. SERIES TERMINALS.
 6. CIRCUIT I.D. NUMBERS ON SIDE OF HOUSING APPEAR ON PARTS FROM TOOLS BUILT AFTER 07/01/1991.
 7. THIS PART CONFORMS TO CLASS B REQUIRMENTS OF COSMETIC SPECIFICATION PS-45499-002.
 8. THIS DRAWING REPLACES SD-1625-2*.

QUALITY SYMBOLS		THIS DRAWING CONTAINS INFORMATION THAT IS PROPRIETARY TO MOLEX ELECTRONIC TECHNOLOGIES, LLC AND SHOULD NOT BE USED WITHOUT WRITTEN PERMISSION			
REDRAWING IN NX EC NO: 120335 DRWN: MKIPPER CHKD: MKIPPER REV / APPR: FSMITH	2017/07/17	2017/08/09	2017/08/10	GENERAL TOLERANCES (UNLESS SPECIFIED)	
	MM		INCH		DIMENSION UNITS
	4 PLACES \pm		\pm		MM/IN
	3 PLACES \pm		± 0.007		SCALE
	2 PLACES ± 0.18		± 0.01		4:1
1 PLACES ± 0.25		\pm		DRWN BY	
0 PLACES \pm		\pm		DATE	
ANGULAR TOL = 1.0		DRAFT WHERE APPLICABLE MUST REMAIN WITHIN DIMENSIONS		ZHARPER	2017/06/20
DRAWING SIZE		THIRD ANGLE PROJECTION		CHK'D BY	DATE
C		C		MKIPPER	2017/06/20
DRAWING SIZE		THIRD ANGLE PROJECTION		APPR BY	DATE
C		C		FSMITH	2017/06/30
DRAWING SIZE		THIRD ANGLE PROJECTION		PRODUCT CUSTOMER DRAWING	
C		C		SERIES	MATERIAL NUMBER
C		C		1625	SEE CHART
C		C		CUSTOMER	
C		C		DOCUMENT NUMBER	DOC TYPE
C		C		16250200-SD	PSD
C		C		DOC PART	SHEET NUMBER
C		C		000	3 OF 3