

产品编号 : 03062092

Product Description : 1.57mm Diameter Standard .062" Pin and Socket Plug Housing, 9 Circuits, without Mounting Ears, Natural

系列号 : 1625

状态 : Active

Product Category : Connector Housings

工程编号 : 1625-9P1



文件和资源

图纸

图纸 003062092_sd.pdf

3D 模型和设计文件

3D模型 003062092_stp.zip


规格

包装规格 PK-1625-003-001.pdf

产品规格 PS-02-06-001.pdf

产物环境合规

合规

GADSL/IMDS	Not Relevant
China RoHS	
EU ELV	Not Relevant
Low-Halogen Status	Low-Halogen per IEC 61249-2-21
REACH SVHC	Not Contained per D(2023)3788-DC (14 Jun 2023)
EU RoHS	Compliant per EU 2015/863

多部分产品合规性声明

- Eu RoHS
- REACH SVHC
- Low-Halogen

多部分行业合规性文件

- IPC 1752A Class C
- IPC 1752A Class D
- Molex Product Compliance Declaration
- IEC-62474
- chemSHERPA (xml)

欧盟 RoHS 合格证书

产品详情

常规

状态	活动
类别	Connector Housings
系列	1625
说明	1.57mm Diameter Standard .062" Pin and Socket Plug Housing, 9 Circuits, without Mounting Ears, Natural
应用	Power, Wire-to-Wire
个评论	Polarized to Mating Part
产品系列	Standard .062"+ and Standard .062" Pin and Socket Connector Systems
产品名称	Standard .062"
UPC	800753615274

机构

CSA	LR19980
UL	E29179

电气

每触点最大电流	5.0A
---------	------

物理

断开	否
电路详图	3x3
电路数 (最多)	9
颜色-树脂	Natural
阻燃性	94V-2

性别	Plug
符合灼热丝规范	否
插接极性	无
锁定插接部位	是
材料 - 树脂	Nylon
净重	1.807/g
行数	3
包装形式	Bag
面板安装式	否
间距 - 插配接口	3.68mm
间距 - 终端界面	3.68mm
有极性的插配件	是
可堆叠的	否
运行温度范围	-40° to +105° C

进程

无铅	不适用
----	-----

可配插/可连接使用的产品

可配插部件

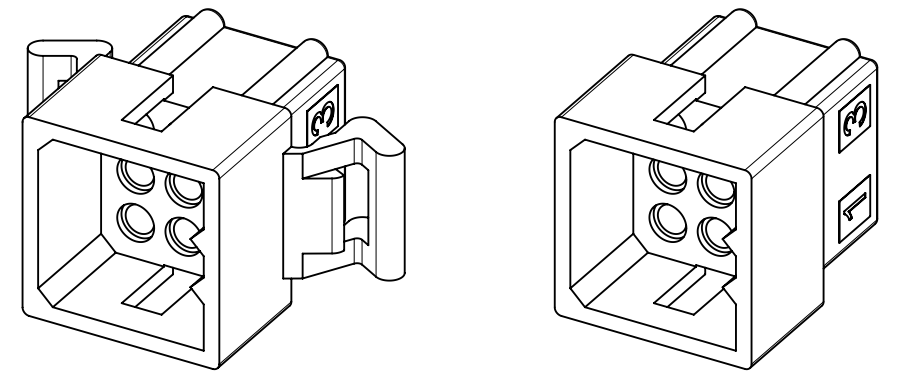
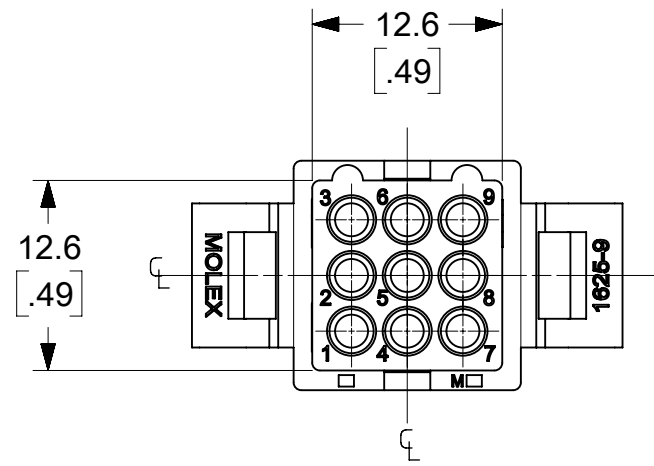
描述	产品编号
1.57mm Diameter Standard .062" Pin and Socket Receptacle Housing, 9 Circuits, without Mounting Ears, Natural	<u>0003061092</u>

可连接使用部件

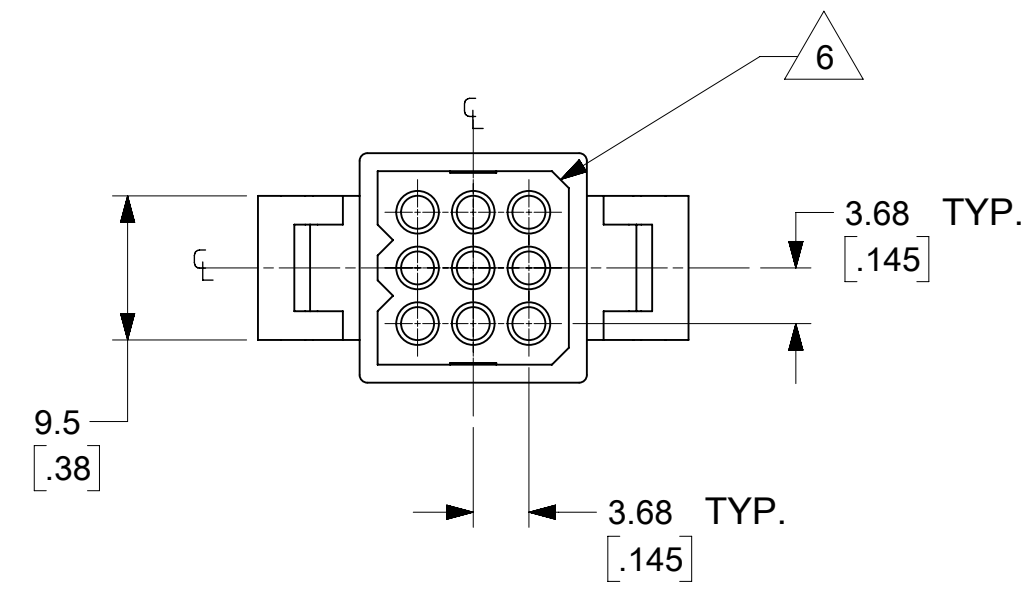
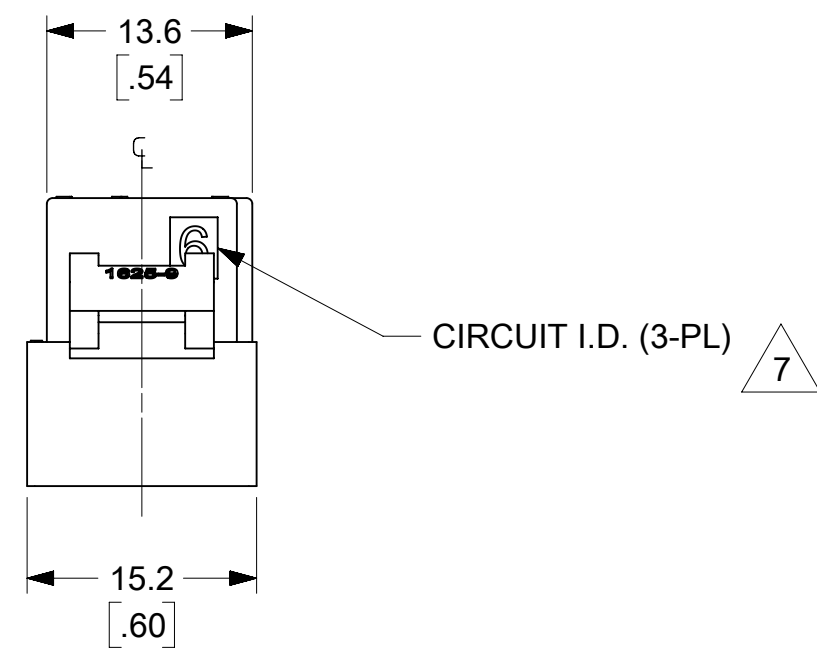
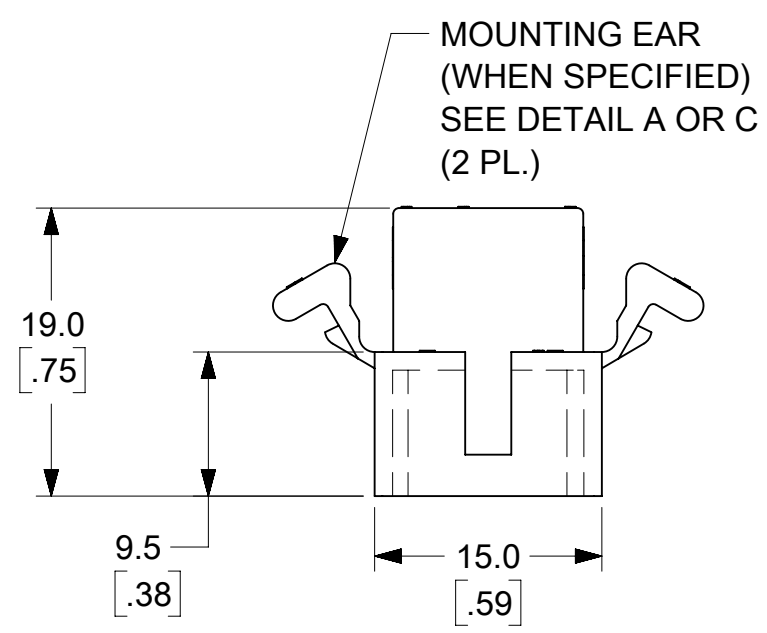
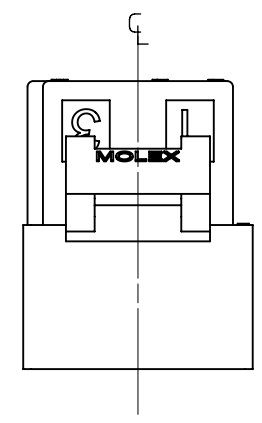
描述	产品编号
Standard .062" Pin and Socket Female Crimp Terminals	<u>1561</u>
Standard .062" Pin and Socket Female Crimp Terminals	<u>1855</u>
Standard .062" Pin and Socket Male Crimp Terminals	<u>1560</u>
Standard .062" Pin and Socket Male Crimp Terminals	<u>1854</u>

Standard .062" Pin and Socket Male PC Tail Terminals	<u>1778</u>
Standard .062" Pin and Socket Female PC Tail Terminals	<u>1779</u>

This document was generated on Jan 03, 2024

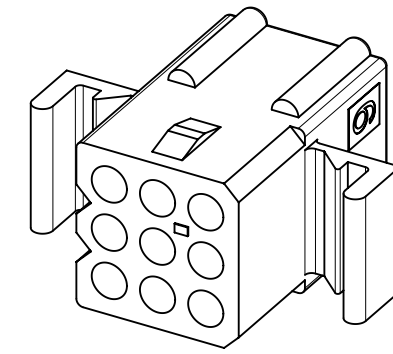
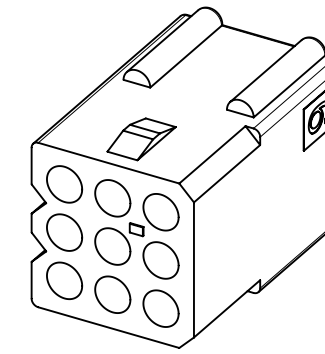
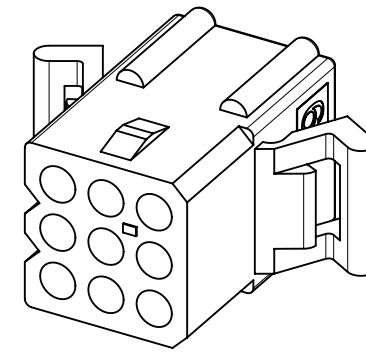
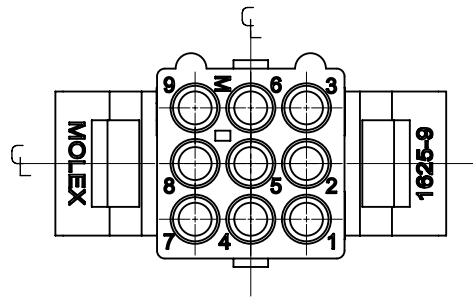


PREBENT MOUNTING EARS NO MOUNTING EARS



PLUG

QUALITY SYMBOLS 	THIS DRAWING CONTAINS INFORMATION THAT IS PROPRIETARY TO MOLEX ELECTRONIC TECHNOLOGIES, LLC AND SHOULD NOT BE USED WITHOUT WRITTEN PERMISSION										
	CHG TO GEN MRKT EC NO: 122809 DRWN: AZAHIROVIC CHK'D: MKIPPER REV APPR: FSMITH	2017/10/02 2017/10/02 2017/10/13	GENERAL TOLERANCES (UNLESS SPECIFIED)		DIMENSION UNITS	SCALE					
			MM	INCH	MM/IN	2:1					
			4 PLACES	±	±	DRWN BY					DATE
			3 PLACES	±	± 0.01	CHK'D BY					DATE
			2 PLACES	± 0.25	± 0.014	APPR BY					DATE
	1 PLACES	± 0.36	±	FSMITH	2017/07/31	PRODUCT CUSTOMER DRAWING					
	0 PLACES	±	±	ANGULAR TOL ± 0.5		DRAWING SIZE	THIRD ANGLE PROJECTION	SERIES	MATERIAL NUMBER	CUSTOMER	
	DRAFT WHERE APPLICABLE MUST REMAIN WITHIN DIMENSIONS		B				1625	SEE CHART			
							DOCUMENT NUMBER	DOC TYPE	DOC PART	SHEET NUMBER	
						16250900-SD	PSD	000	1 OF 3		

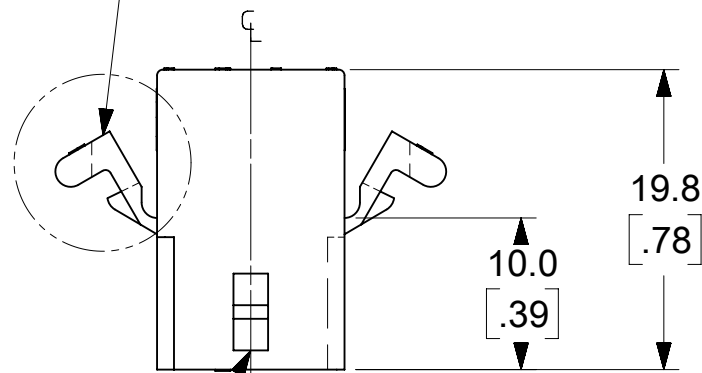
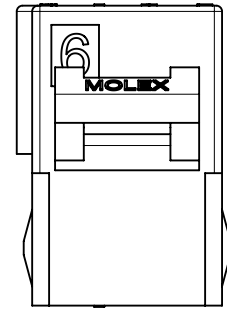


PREBENT MOUNTING EARS

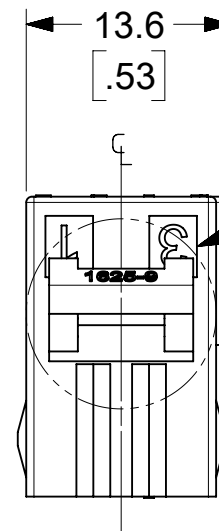
NO MOUNTING EARS

STANDARD MOUNTING EARS

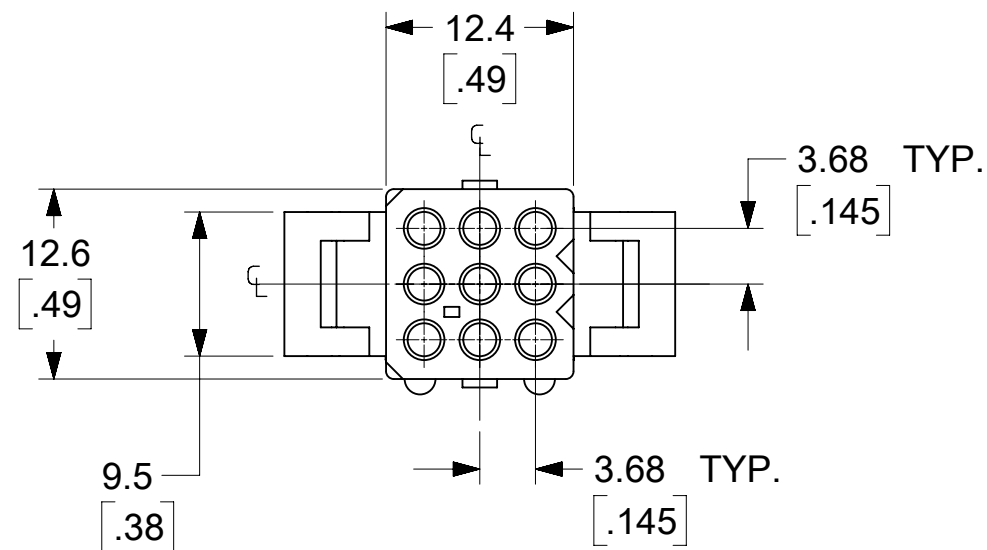
OPTIONAL MOUNTING EARS
(2 PL.)
SEE DETAIL A OR C
FOR VERSIONS AVAILABLE



PASSIVE LOCK



CIRCUIT I.D. (3-PL)



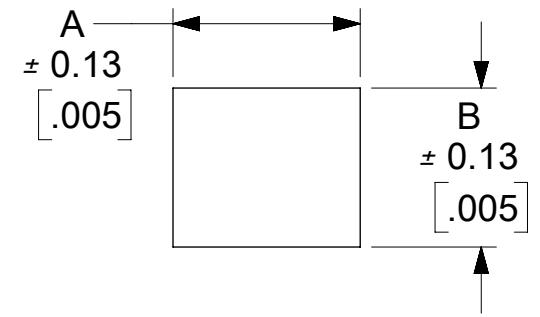
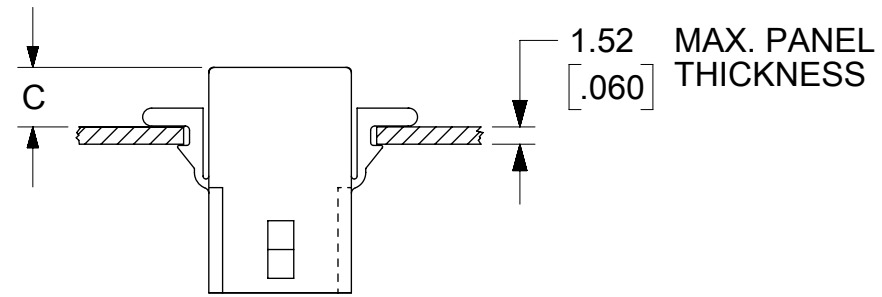
RECEPTACLE

QUALITY SYMBOLS 	THIS DRAWING CONTAINS INFORMATION THAT IS PROPRIETARY TO MOLEX ELECTRONIC TECHNOLOGIES, LLC AND SHOULD NOT BE USED WITHOUT WRITTEN PERMISSION										
	CHG TO GEN MRKT EC NO: 122809 DRWN: AZAHIROVIC CHK'D: MKIPPER REV APPR: FSMITH	2017/10/02	2017/10/02	2017/10/13	GENERAL TOLERANCES (UNLESS SPECIFIED)		DIMENSION UNITS	SCALE			
					MM	INCH	MM/IN	2:1			
		4 PLACES	±	±	ZHARPER	DATE	2017/07/14	.062 9CKT PLUG AND RECEPTACLE HOUSING			
	3 PLACES	±	± 0.01	CHK'D BY	DATE	2017/07/24					
	2 PLACES	±	± 0.014	MKIPPER	DATE	2017/07/24	PRODUCT CUSTOMER DRAWING				
	1 PLACES	±	± 0.036	APP'R BY	DATE	2017/07/31					
	0 PLACES	±	±	FSMITH	DATE	2017/07/31	SERIES	MATERIAL NUMBER	CUSTOMER		
	ANGULAR TOL ± 0.5				DRAWING SIZE	THIRD ANGLE PROJECTION	1625	SEE CHART			
	DRAFT WHERE APPLICABLE MUST REMAIN WITHIN DIMENSIONS				B		DOCUMENT NUMBER		DOC TYPE	DOC PART	SHEET NUMBER
A1						16250900-SD		PSD	000	2 OF 3	

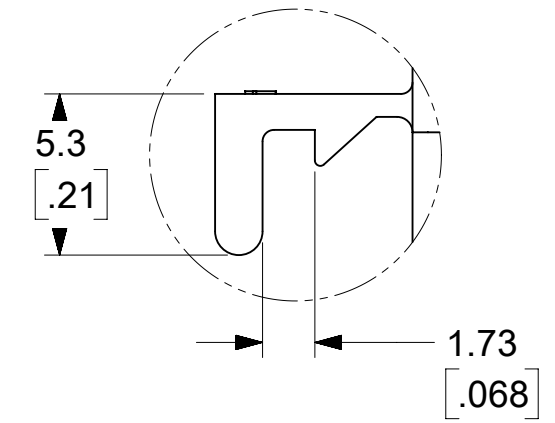
9 CIRCUIT PLUG				
PART NO.	ENG. NO.	EARS	MATERIAL	COLOR
03-06-2092	1625-9P1	NONE	A	NATURAL
46999-0717	1625-9P4	PREBENT	A	NATURAL

9 CIRCUIT RECEPTACLE				
PART NO.	ENG. NO.	EARS	MATERIAL	COLOR
03-06-1091	1625-9R	STANDARD	A	NATURAL
03-06-1092	1625-9R1	NONE	A	NATURAL
50-36-1871	1625-9R4	PREBENT	A	NATURAL

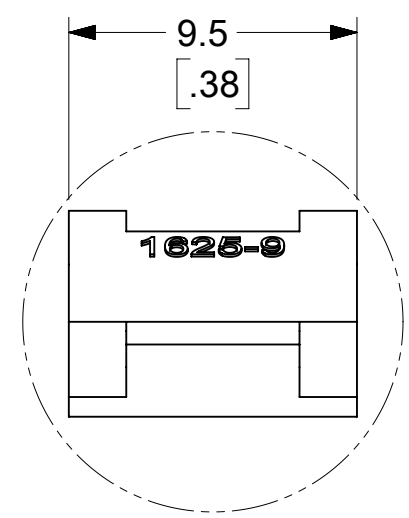
RECEPTACLE	16.51 [.650]	14.02 [.552]	5.3 [.21]	5.6 [.22]
PLUG	19.10 [.752]	15.62 [.615]	5.1 [.20]	5.3 [.21]
PART	DIM. A	DIM. B	DIM. C STANDARD EAR	DIM. C PREBENT EAR



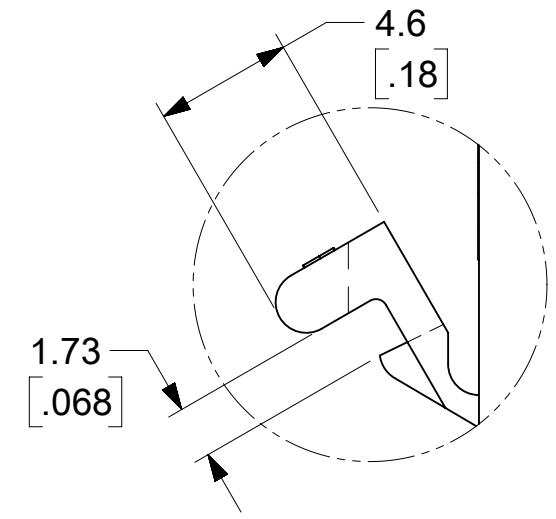
RECOMMENDED HOLE PATTERN



DETAIL C
STANDARD MOUNTING EAR
SCALE 4:1



DETAIL B
PREBENT MOUNTING EAR
SCALE 4:1



DETAIL A
PREBENT MOUNTING EAR
SCALE 4:1

- NOTES:
- MATERIAL CODES:
A-NYLON TYPE 6/6, 94V-2
 - FINISH: NONE
 - PRODUCT SPECIFICATION: PS-02-06
 - PACKAGING SPECIFICATION: PK-1625-003
 - HOUSINGS FOR USE WITH MOLEX .062 DIAMETER TERMINALS.
 - SOME PARTS MAY HAVE THIS CORNER CHAMFERED.
 - ETCHED CIRCUIT I.D. NUMBERS ON HOUSING MAY OR MAY NOT BE PRESENT.
 - PARTS CONFORM TO CLASS B REQUIREMENTS OF COSMETIC SPECIFICATION PS-45499-002.
 - THIS DRAWING REPLACES SD-1625-9*

QUALITY SYMBOLS 	THIS DRAWING CONTAINS INFORMATION THAT IS PROPRIETARY TO MOLEX ELECTRONIC TECHNOLOGIES, LLC AND SHOULD NOT BE USED WITHOUT WRITTEN PERMISSION										
	CHG TO GEN MRKT EC NO: 122809 DRWN: AZAHIROVIC CHK'D: MKIPPER REV APPR: FSMITH	2017/10/02 2017/10/02 2017/10/13		GENERAL TOLERANCES (UNLESS SPECIFIED)		DIMENSION UNITS MM/IN		SCALE 2:1			
				MM	INCH	DRWN BY		DATE			
				4 PLACES	±	±	ZHARPER		2017/07/14		.062 9CKT PLUG AND RECEPTACLE HOUSING
		3 PLACES	±	± 0.01	CHK'D BY		DATE				
		2 PLACES	± 0.25	± 0.014	MKIPPER		2017/07/24				
		1 PLACES	± 0.36	±	APPR BY		DATE		PRODUCT CUSTOMER DRAWING		
		0 PLACES	±	±	FSMITH		2017/07/31				
		ANGULAR TOL ± 0.5			DRAWING SIZE		THIRD ANGLE PROJECTION		SERIES 1625		
		DRAFT WHERE APPLICABLE MUST REMAIN WITHIN DIMENSIONS			B				MATERIAL NUMBER SEE CHART		
		DOCUMENT NUMBER		DOC TYPE		DOC PART		SHEET NUMBER		16250900-SD PSD 000 3 OF 3	