



产品编号 : 03061022

系列号 : 1625

Product Category : Connector Housings

Product Description : 1.57mm Diameter Standard .062" Pin and Socket Receptacle Housing, 2 Circuits, with Pre-bent Mounting Ears, Natural

状态 : Active

工程编号 : 1625-2R2

---

## 文件和资源

### 图纸

图纸 003061022\_sd.pdf

### 3D 模型和设计文件

3D模型 003061022\_stp.zip

### 规格


包装规格 PK-1625-003-001.pdf

产品规格 PS-02-06-001.pdf

---

## 产物环境合规

### 合规

GADSL/IMDS	Not Relevant
China RoHS	
EU ELV	Not Relevant
Low-Halogen Status	Low-Halogen per IEC 61249-2-21
REACH SVHC	Not Contained per D(2023)8585-DC (23 Jan 2024)
EU RoHS	Compliant per EU 2015/863

### 多部分产品合规性声明

- Eu RoHS
- REACH SVHC
- Low-Halogen
  
- IPC 1752A Class C
- IPC 1752A Class D
- Molex Product Compliance Declaration
- IEC-62474

## 产品详情

### 常规

状态	活动
类别	Connector Housings
系列	1625
说明	1.57mm Diameter Standard .062" Pin and Socket Receptacle Housing, 2 Circuits, with Pre-bent Mounting Ears, Natural
应用	Power, Wire-to-Wire
个评论	Polarized to Mating Part
产品系列	Standard .062"+ and Standard .062" Pin and Socket Connector Systems
产品名称	Standard .062"
UPC	800753692749

### 机构

CSA	LR19980
UL	E29179

### 物理

断开	否
电路详图	1x2
电路数 (最多)	2
颜色-树脂	Natural
阻燃性	94V-2
性别	Receptacle
符合灼热丝规范	否
插接极性	无
锁定插接部位	是
材料 - 树脂	Nylon
净重	0.720/g
行数	1

包装形式	Bag
面板安装式	是
间距 - 插配接口	3.68mm
间距 - 终端界面	3.68mm
有极性的插配件	是
可堆叠的	否
运行温度范围	-40° to +105° C

## 进程

无铅	不适用
----	-----

---

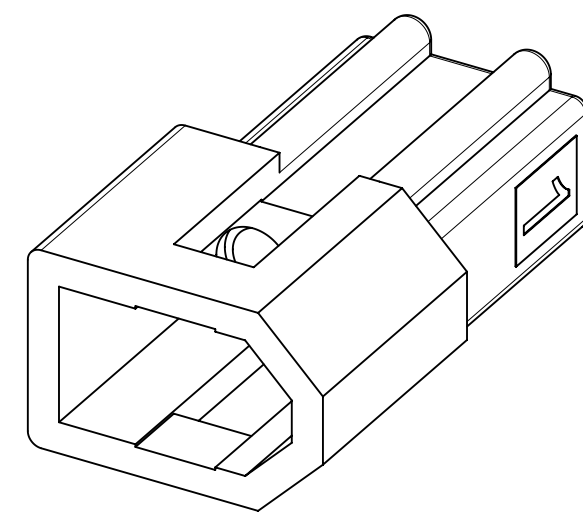
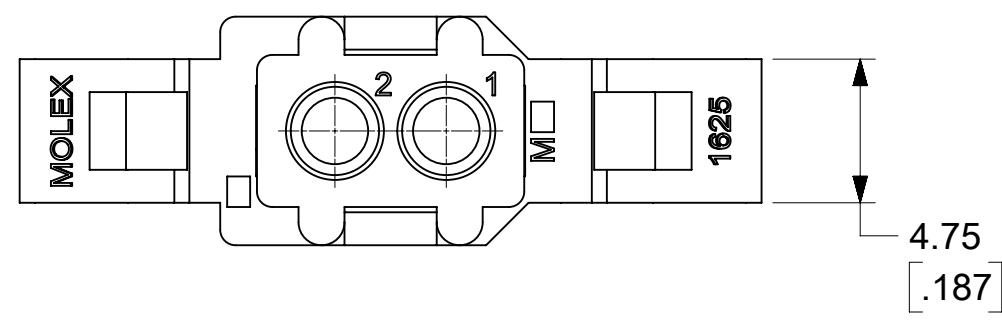
## 可配插/可连接使用的产品

### 可配插部件

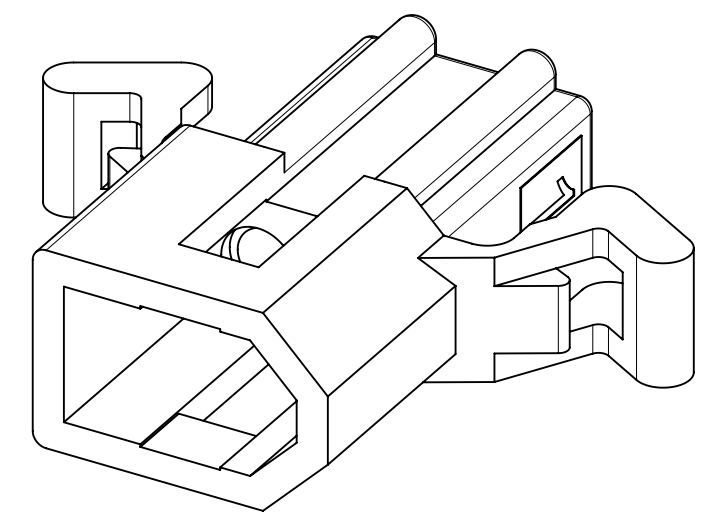
描述	产品编号
1.57mm Diameter Standard .062" Pin and Socket Plug Housing, 2 Circuits, without Mounting Ears, Natural	<u>03062023</u>
1.57mm Diameter Standard .062" Pin and Socket Plug Housing, Black, 2 Circuits, without Mounting Ears, Black	<u>03067023</u>

### 可连接使用部件

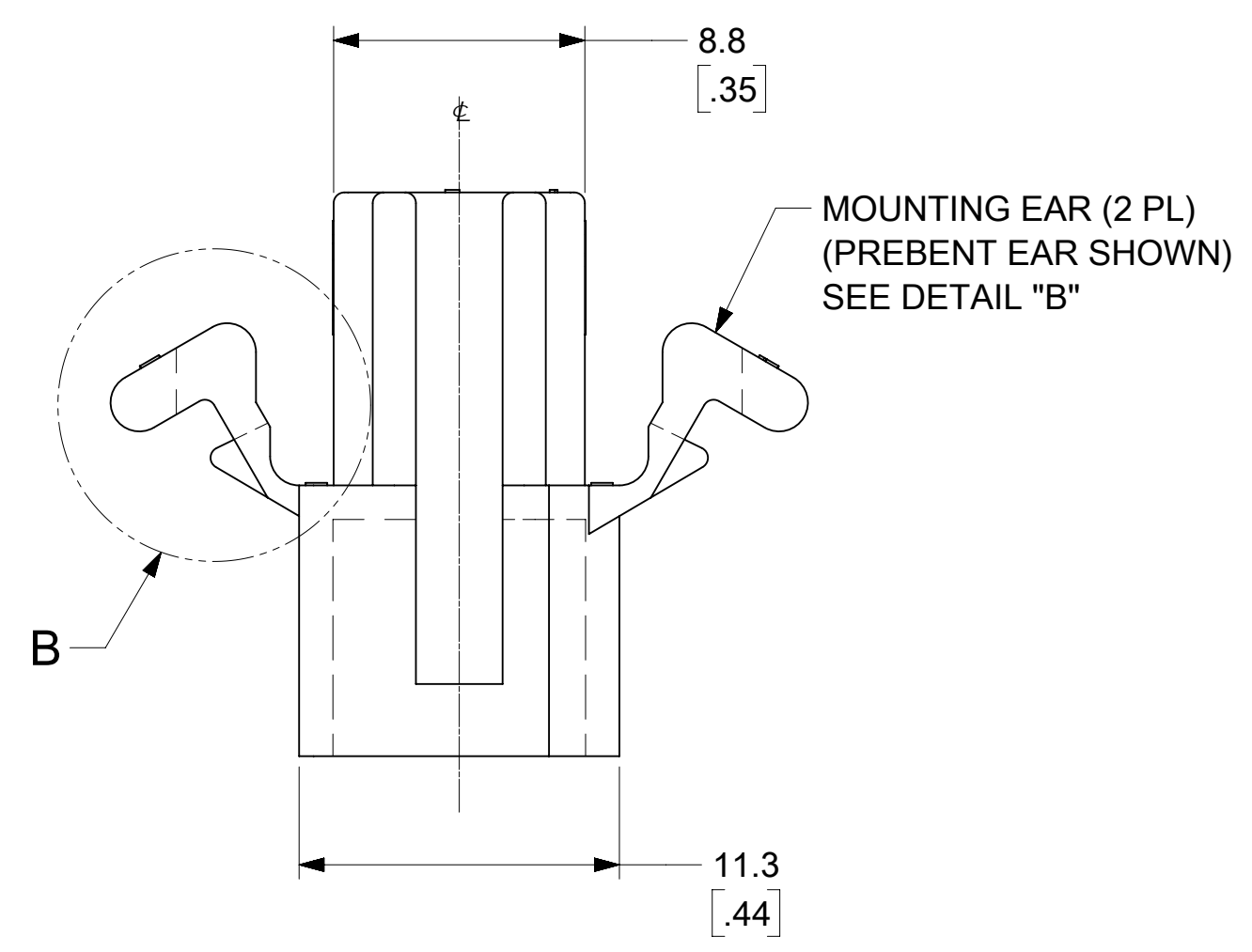
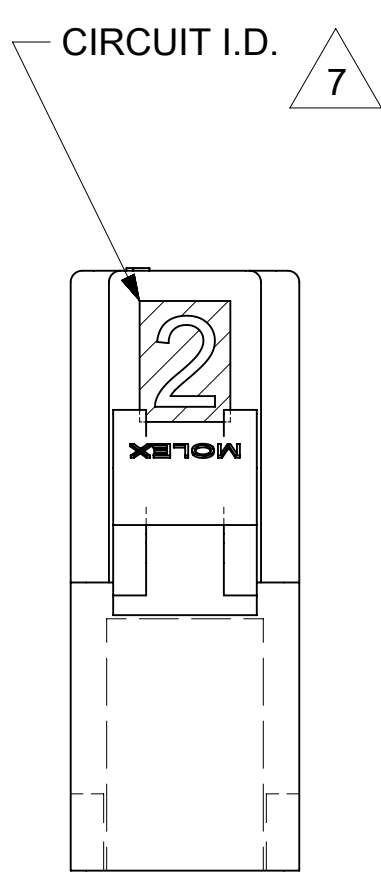
描述	产品编号
Standard .062" Pin and Socket Female Crimp Terminals	<u>1561</u>
Standard .062" Pin and Socket Female Crimp Terminals	<u>1855</u>
Standard .062" Pin and Socket Male Crimp Terminals	<u>1560</u>
Standard .062" Pin and Socket Male Crimp Terminals	<u>1854</u>
Standard .062" Pin and Socket Male PC Tail Terminals	<u>1778</u>
Standard .062" Pin and Socket Female PC Tail Terminals	<u>1779</u>



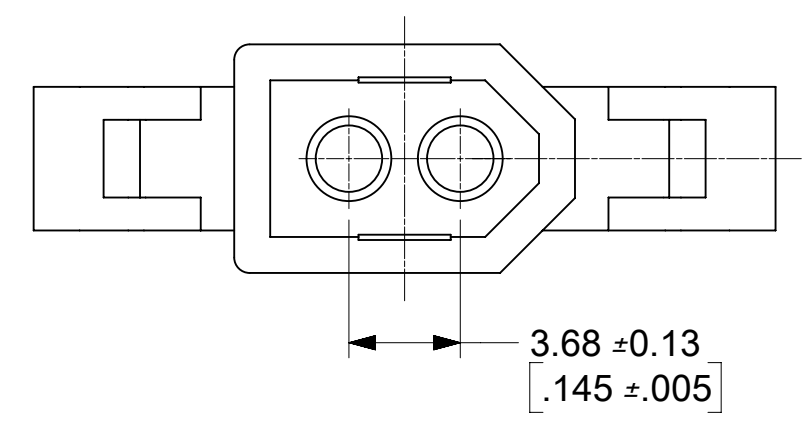
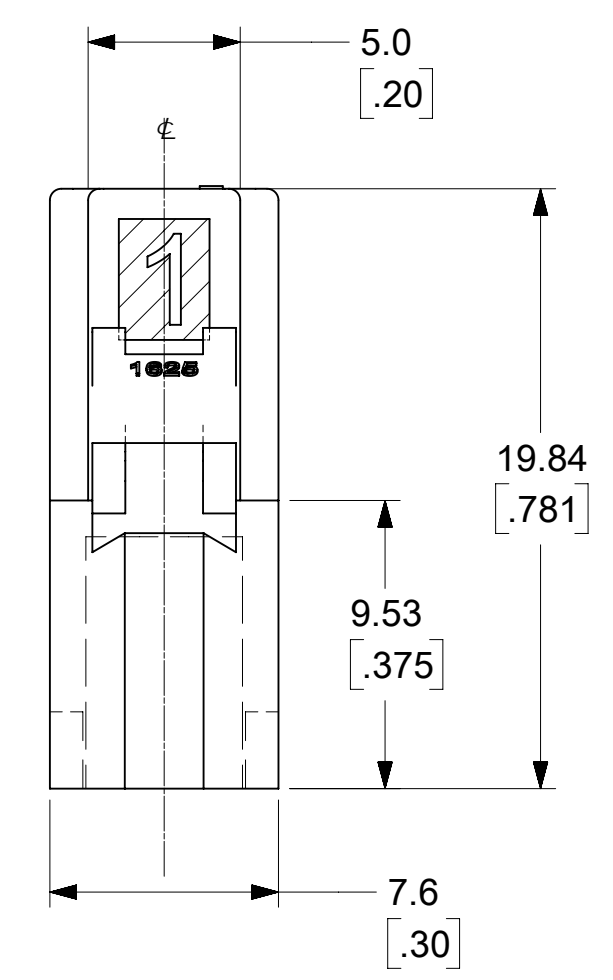
PLUG HOUSING WITH NO EARS



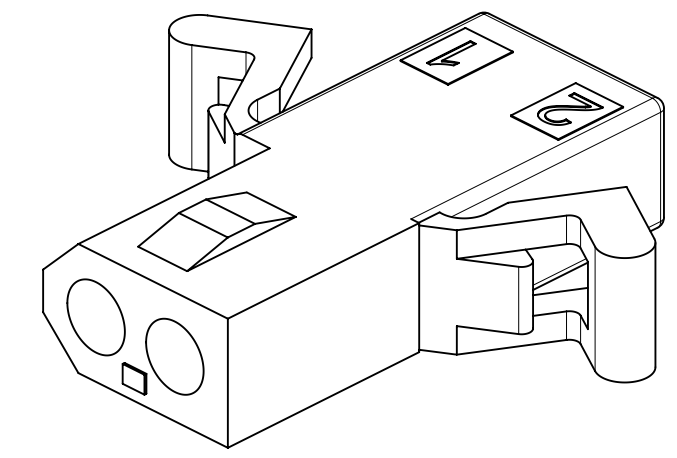
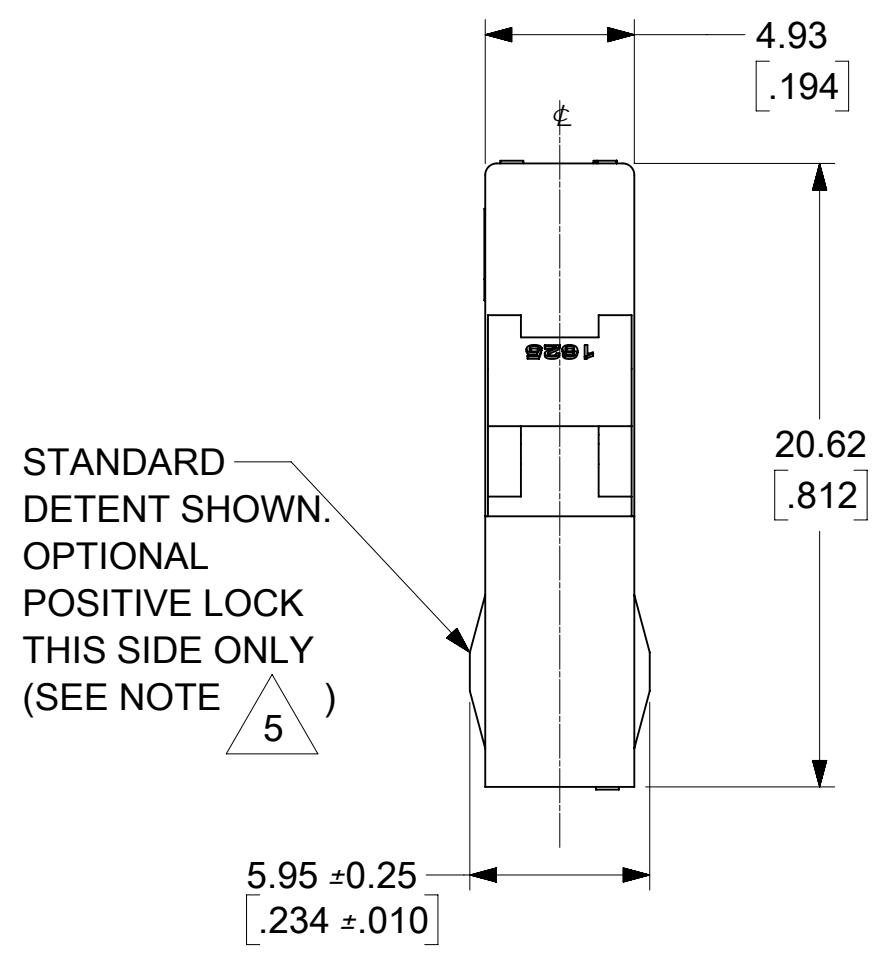
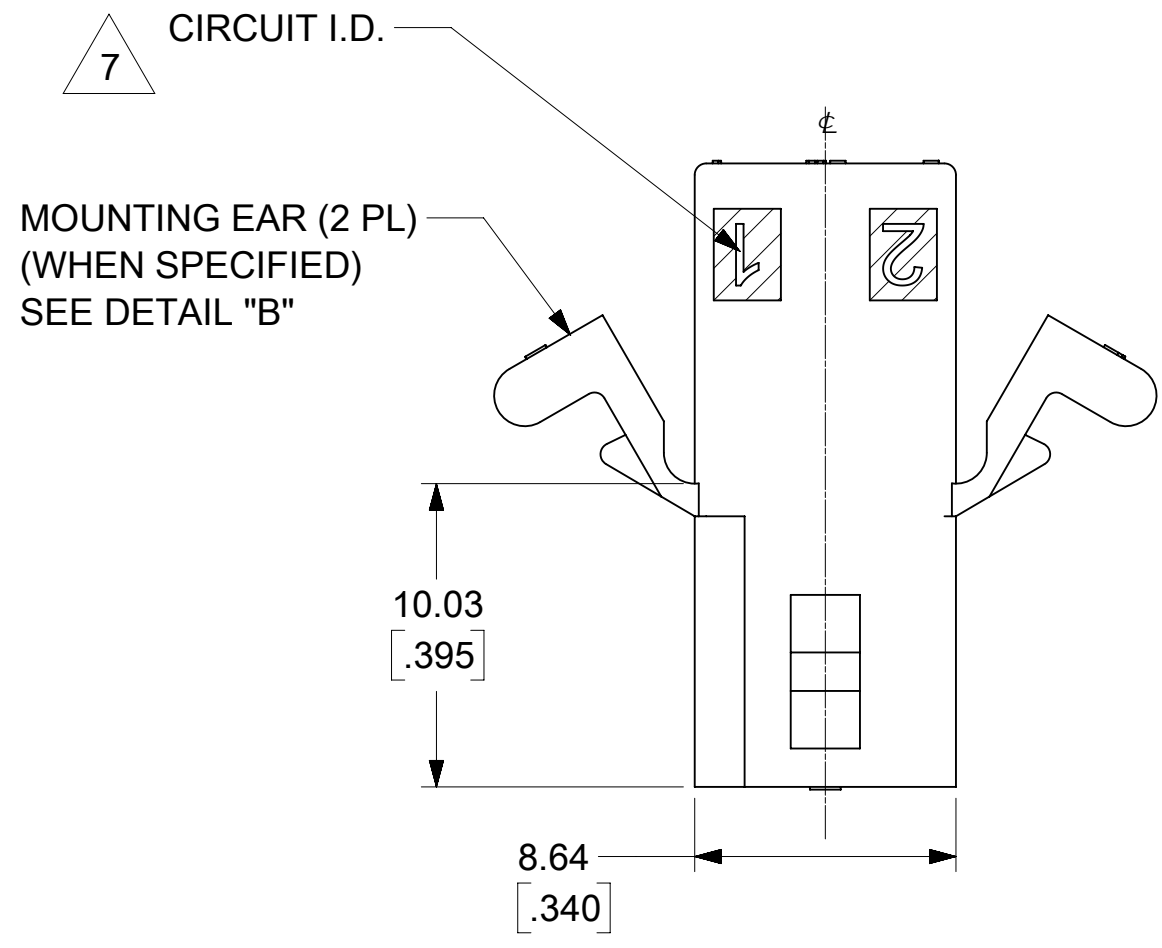
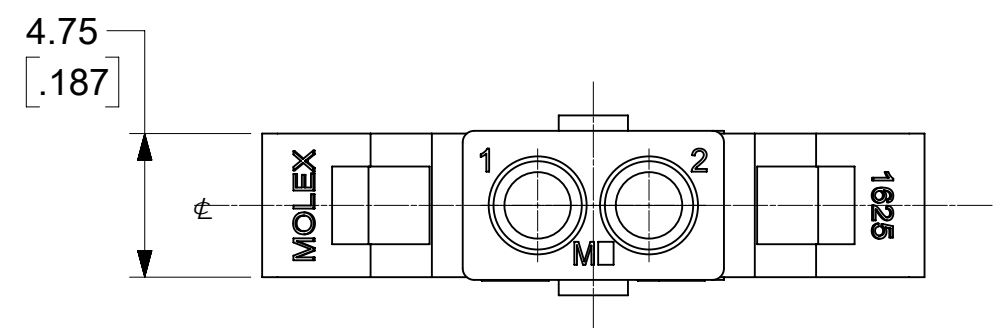
PLUG HOUSING WITH PREBENT EARS



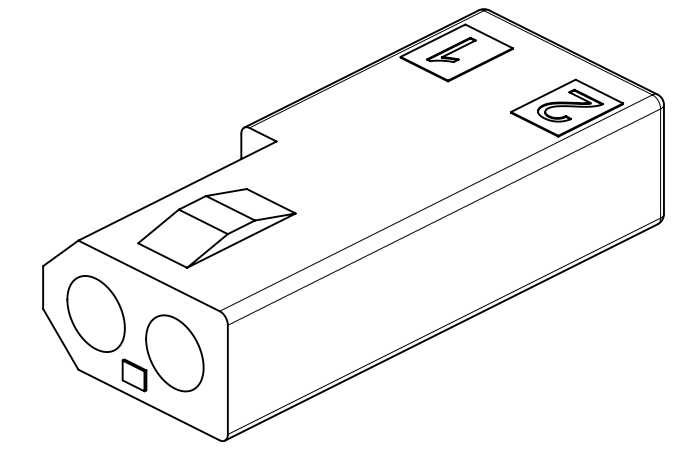
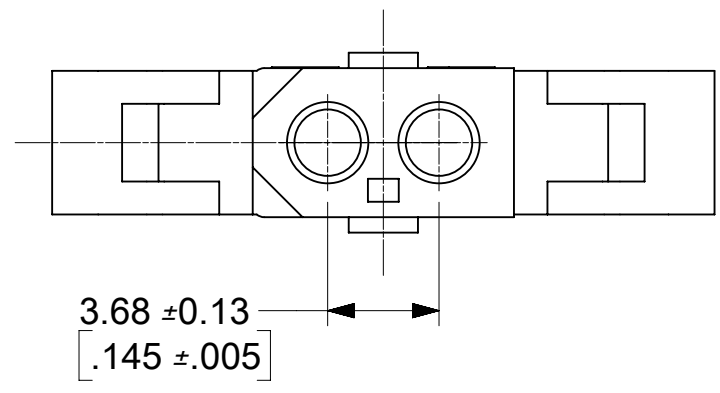
MOUNTING EAR (2 PL)  
(PREBENT EAR SHOWN)  
SEE DETAIL "B"



THIS DRAWING CONTAINS INFORMATION THAT IS PROPRIETARY TO MOLEX ELECTRONIC TECHNOLOGIES, LLC AND SHOULD NOT BE USED WITHOUT WRITTEN PERMISSION											
QUALITY SYMBOLS	2017/07/17 2017/08/09 2017/08/10 EC NO: 120335 DRWN: MKIPPER CHKD: MKIPPER REV / APPR: FSMITH	GENERAL TOLERANCES (UNLESS SPECIFIED)		DIMENSION UNITS	SCALE						
		MM	INCH	MM/IN	4:1						
▽ = 0	REDRAWING IN NX EC NO: 120335 DRWN: MKIPPER CHKD: MKIPPER REV / APPR: FSMITH	4 PLACES ±	±	DRWN BY	DATE	.062 2CKT PLUG AND RECEPTACLE HOUSING					
▽ = 0		3 PLACES ±	± 0.007	CHK'D BY	DATE						
▽ = 0		2 PLACES ±	± 0.18	± 0.01	MKIPPER					2017/06/20	
▽ = 0		1 PLACES ±	± 0.25	±	APPR BY	DATE	PRODUCT CUSTOMER DRAWING				
▽ = 0		0 PLACES ±	±	±	FSMITH	2017/06/30	SERIES	MATERIAL NUMBER	CUSTOMER		
▽ = 0			ANGULAR TOL = 1.0		DRAWING SIZE	THIRD ANGLE PROJECTION	1625	SEE CHART			
▽ = 0		DRAFT WHERE APPLICABLE MUST REMAIN WITHIN DIMENSIONS		C		DOCUMENT NUMBER	DOC TYPE	DOC PART	SHEET NUMBER		
						16250200-SD	PSD	000	1 OF 3		



RECEPTACLE HOUSING  
(1625-2R2 SHOWN)



RECEPTACLE HOUSING  
(1625-2R3 SHOWN)

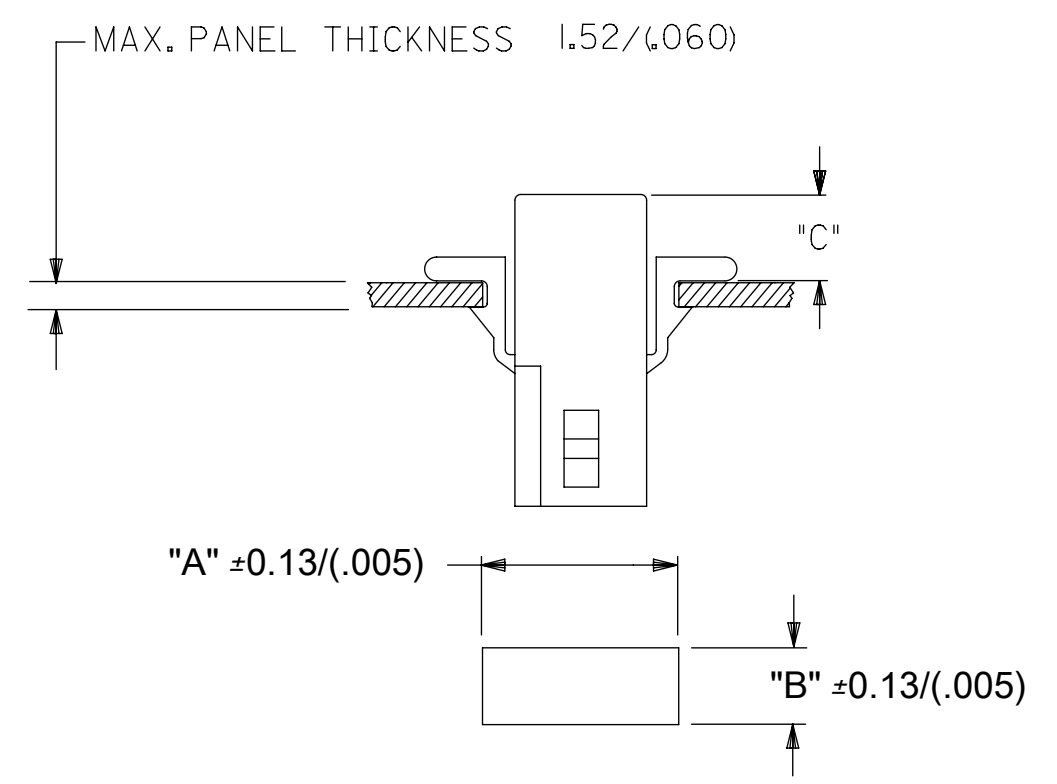
QUALITY SYMBOLS		THIS DRAWING CONTAINS INFORMATION THAT IS PROPRIETARY TO MOLEX ELECTRONIC TECHNOLOGIES, LLC AND SHOULD NOT BE USED WITHOUT WRITTEN PERMISSION										
	= 0	REDRAWING IN NX EC NO: 120335 DRWN: MKIPPER CHKD: MKIPPER REV / APPR: FSMITH	GENERAL TOLERANCES (UNLESS SPECIFIED)				DIMENSION UNITS	SCALE	<b>molex</b>			
	= 0		MM		INCH		MM/IN	4:1				
	= 0		4 PLACES	±	±	±	DRWN BY	DATE	.062 2CKT PLUG AND RECEPTACLE HOUSING			
	= 0		3 PLACES	±	±	± 0.007	ZHARPER	2017/06/20				
	= 0		2 PLACES	±	0.18	± 0.01	CHK'D BY	DATE	PRODUCT CUSTOMER DRAWING			
	= 0		1 PLACES	±	0.25	±	MKIPPER	2017/06/20				
	= 0	0 PLACES	±	±	±	APPR BY	DATE	SERIES MATERIAL NUMBER CUSTOMER				
	= 0	ANGULAR TOL = 1.0		±		FSMITH	2017/06/30					1625
	= 0	DRAFT WHERE APPLICABLE MUST REMAIN WITHIN DIMENSIONS				DRAWING SIZE	THIRD ANGLE PROJECTION	DOCUMENT NUMBER DOC TYPE DOC PART SHEET NUMBER				
	= 0	C				16250200-SD						PSD

PLUG	
PART NO.	ENG. NO.
03-06-7023	1625-2P1BK
03-06-2023	1625-2P1
03-06-2024	1625-2P2

**PLUG LEGEND:**  
 1625-2P \*\*  
 CIRCUIT SIZE  
 P = PLUG  
 1 = WITHOUT MOUNTING EARS  
 2 = WITH PREBENT MOUNTING EARS  
 BLANK = NATURAL  
 BK = BLACK

RECEPTACLE	
PART NO.	ENG. NO.
03-06-6023	1625-2R1BK
03-06-1023	1625-2R1
03-06-1022	1625-2R2

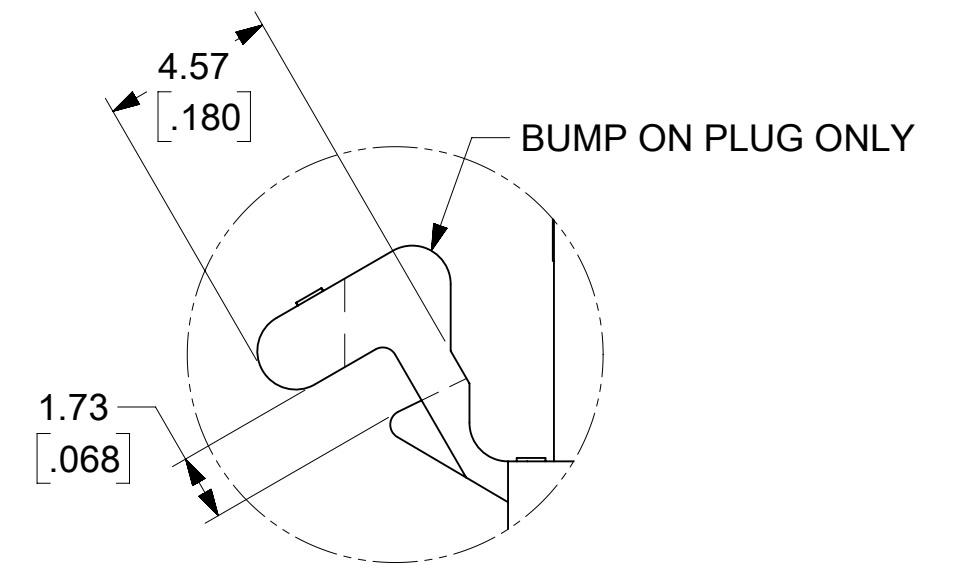
**RECEPTACLE LEGEND:**  
 1625-2R \*\*  
 CIRCUIT SIZE  
 R = RECEPTACLE  
 1 = WITHOUT MOUNTING EARS; WITH DETENTS  
 2 = WITH PREBENT MOUNTING EARS; WITH DETENTS  
 BLANK = NATURAL  
 BK = BLACK



"A"  $\pm 0.13/(.005)$   
 "B"  $\pm 0.13/(.005)$   
 "C"

**RECOMMENDED HOLE PATTERN**  
 (NOT TO SCALE)

HOUSING	DIM. "A"	DIM. "B"	PREBENT EAR DIM. "C"	STD. EAR DIM. "C"
PLUG	15.47 [.609]	8.08 [.318]	6.0 [.24]	6.1 [.24]
RECEPTACLE	12.83 [.505]	6.73 [.265]	6.4 [.25]	6.4 [.25]



**DETAIL B**  
 SCALE 5:1

- NOTES:**
1. MATERIAL - NYLON TYPE 6/6, 94V-2
  2. FINISH: NONE
  3. PRODUCT SPECIFICATION: PS-02-06
  4. PACKAGING SPECIFICATION: PK-1625-003.
  5. HOUSING FOR USE WITH MOLEX .062/(1.57) DIA. SERIES TERMINALS.
  6. CIRCUIT I.D. NUMBERS ON SIDE OF HOUSING APPEAR ON PARTS FROM TOOLS BUILT AFTER 07/01/1991.
  7. THIS PART CONFORMS TO CLASS B REQUIRMENTS OF COSMETIC SPECIFICATION PS-45499-002.
  8. THIS DRAWING REPLACES SD-1625-2\*.

<b>QUALITY SYMBOLS</b> 	THIS DRAWING CONTAINS INFORMATION THAT IS PROPRIETARY TO MOLEX ELECTRONIC TECHNOLOGIES, LLC AND SHOULD NOT BE USED WITHOUT WRITTEN PERMISSION				
	<b>REDRAWING IN NX</b> EC NO: 120335 DRWN: MKIPPER CHKD: MKIPPER REV / APPR: FSMITH	GENERAL TOLERANCES (UNLESS SPECIFIED) MM/INCH 4 PLACES $\pm$ $\pm$ 3 PLACES $\pm$ $\pm 0.007$ 2 PLACES $\pm 0.18$ $\pm 0.01$ 1 PLACES $\pm 0.25$ $\pm$ 0 PLACES $\pm$ $\pm$		DIMENSION UNITS: MM/IN SCALE: 4:1	 .062 2CKT PLUG AND RECEPTACLE HOUSING PRODUCT CUSTOMER DRAWING SERIES: 1625    MATERIAL NUMBER: SEE CHART    CUSTOMER: DOCUMENT NUMBER: 16250200-SD    DOC TYPE: PSD    DOC PART: 000    SHEET NUMBER: 3 OF 3
		DRWN BY: ZHARPER    DATE: 2017/06/20 CHK'D BY: MKIPPER    DATE: 2017/06/20 APPR BY: FSMITH    DATE: 2017/06/30		DRAWING SIZE: C THIRD ANGLE PROJECTION	
		ANGULAR TOL = 1.0 DRAFT WHERE APPLICABLE MUST REMAIN WITHIN DIMENSIONS			