



产品编号 : [03061044](#)

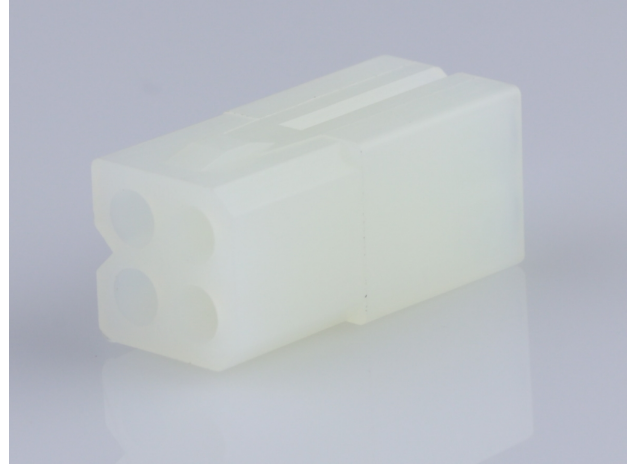
Product Description : 1.57mm Diameter Standard .062" Pin and Socket Receptacle Housing, Dual Row, without Mounting Ears, PA Polyamide Nylon 6/6, UL 94V-2, 4 Circuits, Natural

系列号 : 2004

状态 : Active

Product Category : Connector Housings

工程编号 : 2004-R1



文件和资源

图纸

[图纸 003061044_sd.pdf](#)

3D 模型和设计文件

[3D模型 003061044_stp.zip](#)

规格

[包装规格 20040000-PK-000.pdf](#)

产物环境合规

合规

GADSL/IMDS	Not Relevant
China RoHS	
EU ELV	Not Relevant
Low-Halogen Status	Low-Halogen per IEC 61249-2-21
REACH SVHC	Not Contained per D(2023)3788-DC (14 Jun 2023)
EU RoHS	Compliant per EU 2015/863

[多部分产品合规性声明](#)

- Eu RoHS
- REACH SVHC
- Low-Halogen

[多部分行业合规性文件](#)

- IPC 1752A Class C
- IPC 1752A Class D
- Molex Product Compliance Declaration
- IEC-62474
- chemSHERPA (xml)

欧盟 RoHS 合格证书

产品详情

常规

状态	活动
类别	Connector Housings
系列	2004
说明	1.57mm Diameter Standard .062" Pin and Socket Receptacle Housing, Dual Row, without Mounting Ears, PA Polyamide Nylon 6/6, UL 94V-2, 4 Circuits, Natural
应用	Power, Wire-to-Wire
产品系列	Standard .062"+ and Standard .062" Pin and Socket Connector Systems
产品名称	Standard .062"
UPC	800755490695

机构

CSA	LR19980
UL	E29179

电气

每触点最大电流	5.0A
---------	------

物理

电路详图	2x2
电路数 (最多)	4
颜色-树脂	Natural
阻燃性	94V-2
性别	Receptacle

符合灼热丝规范	否
锁定插接部位	是
材料 - 树脂	Nylon
净重	1.056/g
行数	2
包装形式	Bag
面板安装式	否
间距 - 插配接口	3.68mm
间距 - 终端界面	3.68mm
有极性的插配件	是
可堆叠的	否
运行温度范围	-40° to +105° C

进程

无铅	不适用
----	-----

可配插/可连接使用的产品

可配插部件

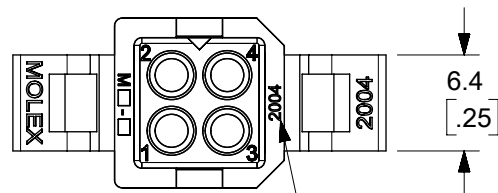
描述	产品编号
1.57mm Diameter Standard .062" Pin and Socket Plug Housing, Dual Row, without Mounting Ears, PA Polyamide Nylon 6/6, UL 94V-2, 4 Circuits, Natural	<u>0003062044</u>
1.57mm Diameter Standard .062" Pin and Socket Plug Housing, Dual Row, without Mounting Ears, PA Polyamide Nylon 6/6, UL 94V-2, 4 Circuits, Black	<u>0003067044</u>

可连接使用部件

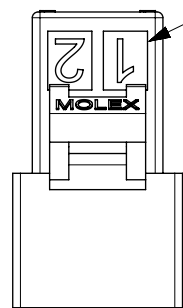
描述	产品编号
Standard .062" Pin and Socket Male Crimp Terminals	<u>1560</u>
Standard .062" Pin and Socket Female Crimp Terminals	<u>1561</u>
Standard .062" Pin and Socket Male PC Tail Terminals	<u>1778</u>

Standard .062" Pin and Socket Male Crimp Terminals	<u>1854</u>
Standard .062" Pin and Socket Female Crimp Terminals	<u>1855</u>

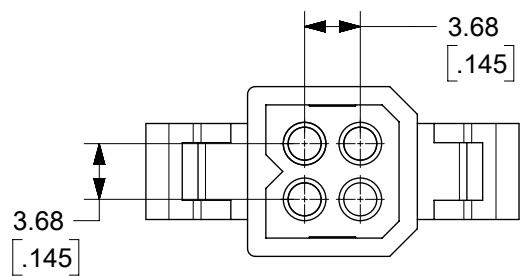
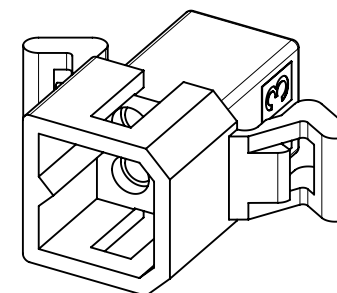
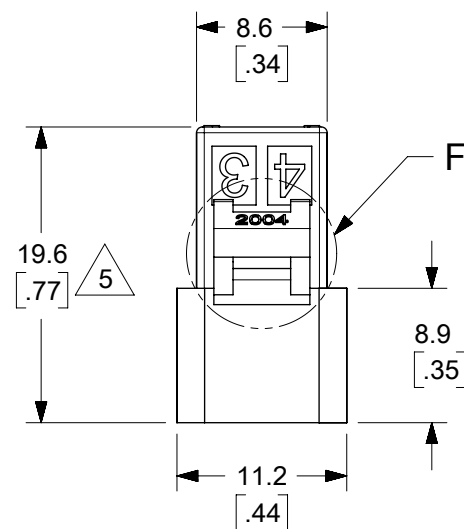
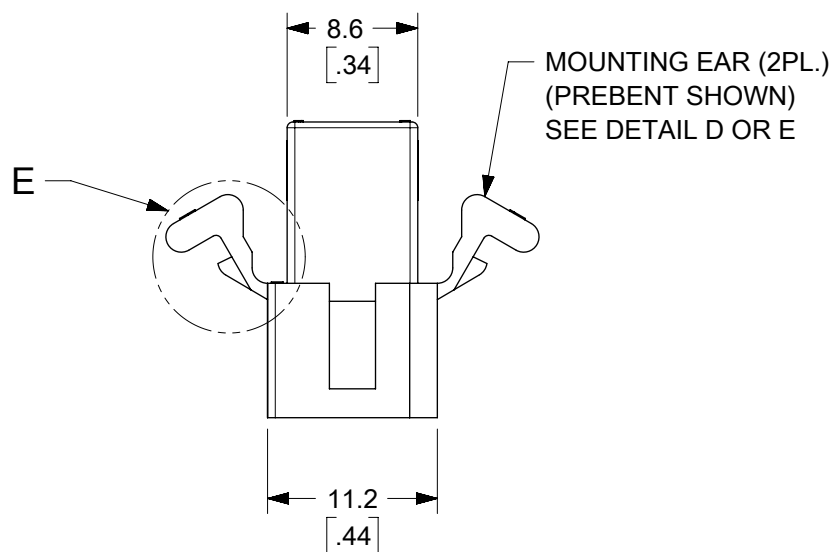
This document was generated on Feb 27, 2024



ENG. NO. LOCATION
FOR PARTS W/O MOUNTING EARS

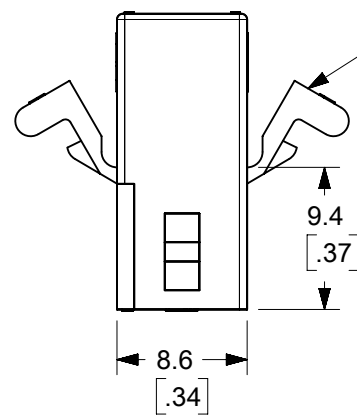
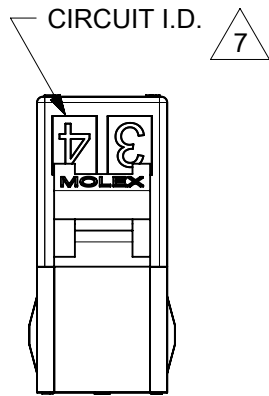
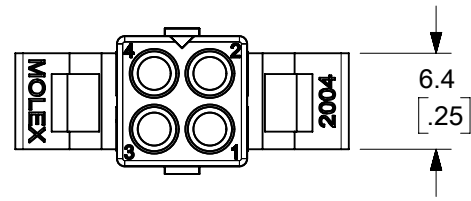


CIRCUIT I.D. $\triangle 7$

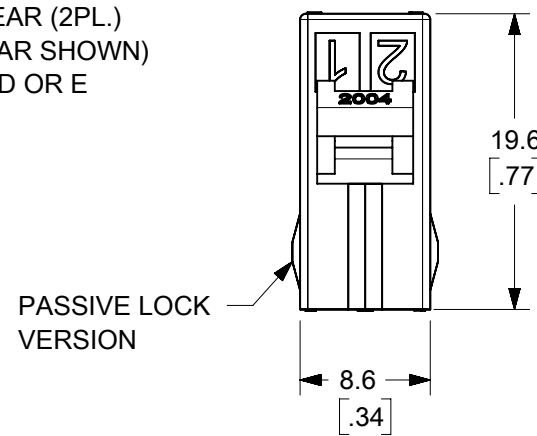


PLUG HOUSING

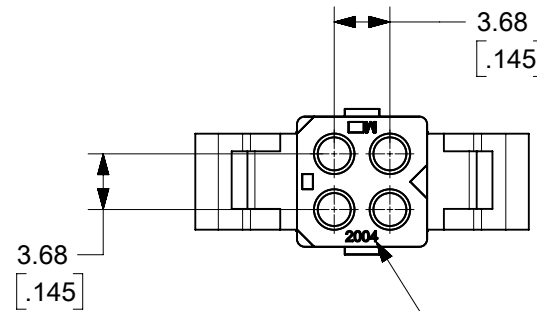
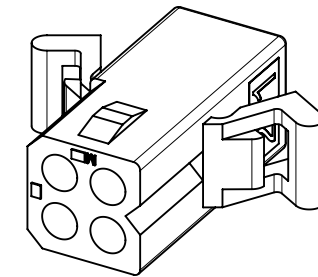
SYMBOLS										THIS DRAWING CONTAINS INFORMATION THAT IS PROPRIETARY TO MOLEX ELECTRONIC TECHNOLOGIES, LLC AND SHOULD NOT BE USED WITHOUT WRITTEN PERMISSION									
DIMENSION UNITS					SCALE					CURRENT REV DESC: REMOVE 2004-R, -RBK									
MM/IN					2:1					molex PLUG AND RECEPTACLE HOUSINGS 4 CIRCUIT .062 DIA., .145 CTRS.									
GENERAL TOLERANCES (UNLESS SPECIFIED)																			
4 PLACES ±					MM					INCH					EC NO: 172672				
3 PLACES ±					± 0.25					± 0.014					DRWN: ANESSER 2018/02/22				
2 PLACES ±					± 0.36					±					CHK'D: MKIPPER 2018/03/05				
1 PLACE ±					±					±					APPR: FSMITH 2018/03/06				
0 PLACES ±					ANGULAR TOL ± 1.0°					INITIAL REVISION:					DOCUMENT NUMBER				
DRAFT WHERE APPLICABLE MUST REMAIN WITHIN DIMENSIONS					THIRD ANGLE PROJECTION					DRAWING					SERIES				
B-SIZE					2004					MATERIAL NUMBER					CUSTOMER				
SEE CHART					GENERAL MARKET					SHEET NUMBER					1 OF 3				



MOUNTING EAR (2PL.)
(PREBENT EAR SHOWN)
SEE DETAIL D OR E



PASSIVE LOCK
VERSION



ENG. NO. LOCATION
FOR PARTS W/O MOUNTING EARS

RECEPTACLE HOUSING

THIS DRAWING CONTAINS INFORMATION THAT IS PROPRIETARY TO MOLEX ELECTRONIC TECHNOLOGIES, LLC AND SHOULD NOT BE USED WITHOUT WRITTEN PERMISSION												
QUALITY SYMBOLS ▽ = 0 ▽ = 0 ▽ = 0 ▽ = 0 ▽ = 0 ▽ = 0 ▽ = 0 ▽ = 0 ▽ = 0 ▽ = 0	REMOVE 2004-R, -RBK EC NO: 172672 DRWN: ANESSER CHK'D: MKIPPER APPR: FSMITH	GENERAL TOLERANCES (UNLESS SPECIFIED)		DIMENSION UNITS	SCALE							
				MM/IN	2:1							
				DRWN BY	DATE							
				4 PLACES	±	±	BAPPELDORN	2016/09/22	PLUG AND RECEPTACLE HOUSINGS 4 CIRCUIT .062 DIA., .145 CTRS.			
				3 PLACES	±	± 0.01	CHK'D BY	DATE				
				2 PLACES	± 0.25	± 0.014	MKIPPER	2016/09/22				
				1 PLACES	± 0.36	±	APPR BY	DATE	PRODUCT CUSTOMER DRAWING			
				0 PLACES	±	±	FSMITH	2016/09/29				
				ANGULAR TOL ± 1.0		DRAWING SIZE	THIRD ANGLE PROJECTION	SERIES: 2004 MATERIAL NUMBER: SEE CHART CUSTOMER: GENERAL MARKET				
				DRAFT WHERE APPLICABLE MUST REMAIN WITHIN DIMENSIONS		B						
						DOCUMENT NUMBER: 20040000-SD		DOC TYPE: PSD	DOC PART: 000	SHEET NUMBER: 2 OF 3		

PLUG	
PART NO.	ENG. NO.
03-06-2044	2004-P1
03-06-7044	2004-P1BK
46999-0719	2004-P2

RECEPTACLE	
PART NO.	ENG. NO.
03-06-1044	2004-R1
46999-0807	2004-R2

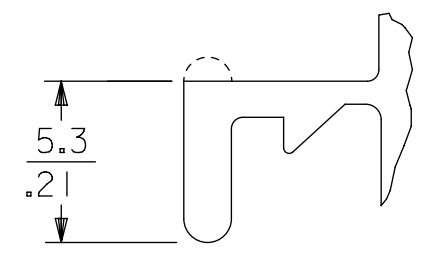
LEGEND:

P = PLUG
R = RECEPTACLE

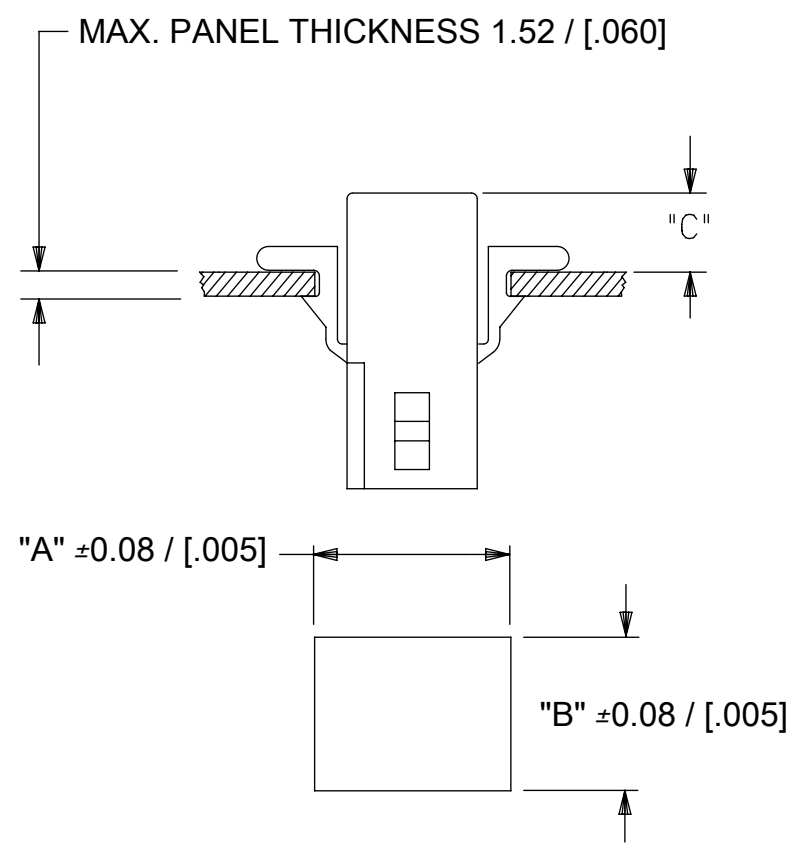
BLANK = WITH STANDARD EARS
1 = WITHOUT EARS
2 = WITH PREBENT EARS

COLOR:
BLANK = NATURAL
AM=AMBER BK=BLACK BU=BLUE
BN=BROWN GY=GRAY GN=GREEN
OR=ORANGE RD=RED YW=YELLOW

2004-***

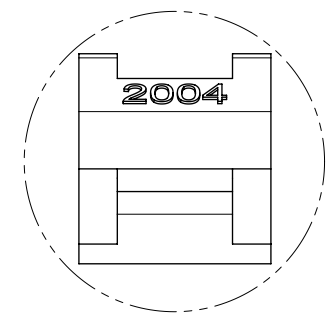


DETAIL D
STANDARD MOUNTING EARS
(SCALE 4:1)

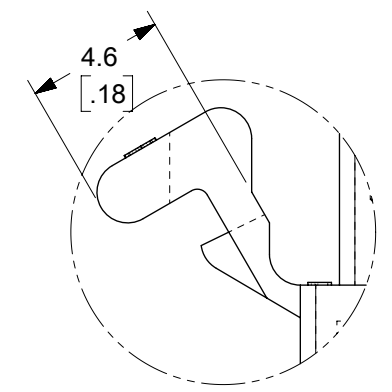


NOTES:

1. MATERIAL: NYLON 6/6 UL94V-2, COLOR: SEE LEGEND
2. FINISH: NONE
3. PRODUCT SPECIFICATION: PS-02-06
4. PACKAGING SPECIFICATION: 20040000-PK
5. THIS DIMENSION DEPENDS ON TOOLING AND MAY BE 0.75/(19.1) ON SOME PARTS.
6. HOUSINGS FOR USE WITH MOLEX .062/(1.57) DIA. TERMINALS.
7. CIRCUIT I.D. NUMBERS ON SIDE OF HOUSING DEPENDS ON TOOLING AND MAY OR MAY NOT BE PRESENT.
8. PARTS CONFORM TO CLASS B REQUIREMENTS OF COSMETIC SPECIFICATION PS-45499-002.
9. DRAWING REPLACES SD-2004-*



DETAIL F
SCALE 4:1



DETAIL E
SCALE 4:1

PRE-BENT MOUNTING EARS
(SCALE 4:1)

RECOMMENDED HOLE PATTERN

HOUSING	DIM. "A"		DIM. "B"		PREBENT EAR DIM. "C"		STD. EAR DIM. "C"	
	MM	IN	MM	IN	MM	IN	MM	IN
PLUG	15.62	.615	11.81	.465	6.6	.26	6.6	.26
RECEPTACLE	12.85	.506	10.16	.400	6.1	.24	6.1	.24

SYMBOLS										THIS DRAWING CONTAINS INFORMATION THAT IS PROPRIETARY TO MOLEX ELECTRONIC TECHNOLOGIES, LLC AND SHOULD NOT BE USED WITHOUT WRITTEN PERMISSION									
DIMENSION UNITS					SCALE					CURRENT REV DESC: REMOVE 2004-R, -RBK									
MM/IN					1:1					molex									
GENERAL TOLERANCES (UNLESS SPECIFIED)										PLUG AND RECEPTACLE HOUSINGS 4 CIRCUIT .062 DIA., .145 CTRS.									
4 PLACES ±					±					EC NO: 172672									
3 PLACES ±					± 0.01					DRWN: ANESSER 2018/02/22									
2 PLACES ±					± 0.014					CHK'D: MKIPPER 2018/03/05									
1 PLACE ±					± 0.036					APPR: FSMITH 2018/03/06									
0 PLACES ±					±					PRODUCT CUSTOMER DRAWING									
ANGULAR TOL ± 1.0°					± 1.0°					INITIAL REVISION:									
DRAFT WHERE APPLICABLE MUST REMAIN WITHIN DIMENSIONS					THIRD ANGLE PROJECTION					DRAWING					SERIES				
B-SIZE					2004					MATERIAL NUMBER					CUSTOMER				
SEE CHART					GENERAL MARKET					DOCUMENT NUMBER					DOC TYPE DOC PART REVISION				
20040000-SD					PSD					000					A2				
SHEET NUMBER					3 OF 3					DOCUMENT STATUS					P1 RELEASE DATE 2018/03/06 17:54:10				