



产品编号 : [03062024](#)

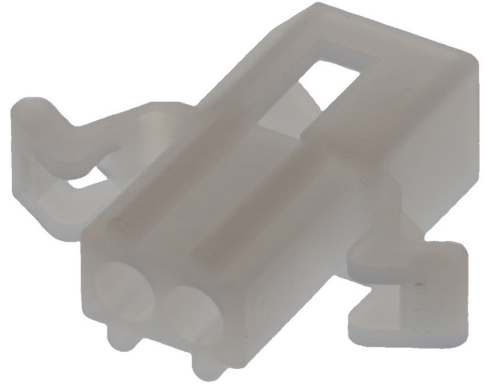
Product Description : 1.57mm Diameter Standard .062" Pin and Socket Plug Housing, 2 Circuits, with Pre-bent Mounting Ears, Natural

系列号 : 1625

状态 : Active

Product Category : Connector Housings

工程编号 : 1625-2P2



文件和资源

图纸

[图纸 003062024_sd.pdf](#)

3D 模型和设计文件

[3D模型 003062024_stp.zip](#)

规格

[包装规格 PK-1625-003-001.pdf](#)

[产品规格 PS-02-06-001.pdf](#)

产物环境合规

合规

GADSL/IMDS	Not Relevant
China RoHS	
EU ELV	Not Relevant
Low-Halogen Status	Low-Halogen per IEC 61249-2-21
REACH SVHC	Not Contained per D(2023)3788-DC (14 Jun 2023)
EU RoHS	Compliant per EU 2015/863

多部分产品合规性声明

- Eu RoHS
- REACH SVHC
- Low-Halogen

多部分行业合规性文件

- IPC 1752A Class C
- IPC 1752A Class D
- Molex Product Compliance Declaration
- IEC-62474
- chemSHERPA (xml)

欧盟 RoHS 合格证书

产品详情

常规

状态	活动
类别	Connector Housings
系列	1625
说明	1.57mm Diameter Standard .062" Pin and Socket Plug Housing, 2 Circuits, with Pre-bent Mounting Ears, Natural
应用	Power, Wire-to-Wire
个评论	Polarized to Mating Part
产品系列	Standard .062"+ and Standard .062" Pin and Socket Connector Systems
产品名称	Standard .062"
UPC	800753615205

机构

CSA	LR19980
UL	E29179

电气

每触点最大电流	5.0A
---------	------

物理

断开	否
电路详图	1x2
电路数 (最多)	2
颜色-树脂	Natural
阻燃性	94V-2

性别	Plug
符合灼热丝规范	否
插接极性	无
锁定插接部位	是
材料 - 树脂	Nylon
净重	0.937/g
行数	1
包装形式	Bag
面板安装式	是
间距 - 插配接口	3.68mm
间距 - 终端界面	3.68mm
有极性的插配件	是
可堆叠的	否
运行温度范围	-40° to +105° C

进程

无铅	不适用
----	-----

可配插/可连接使用的产品

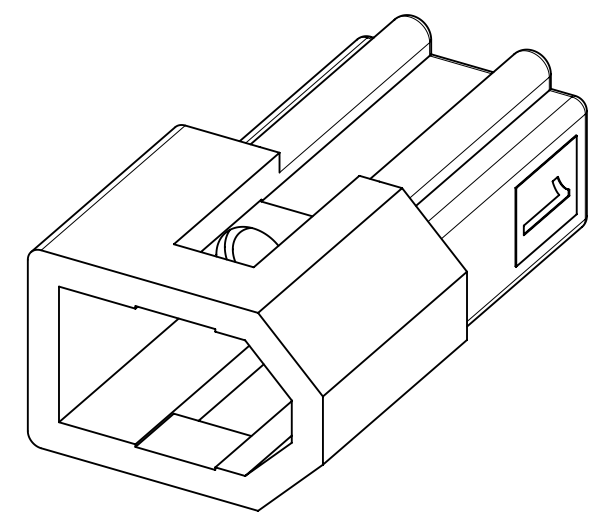
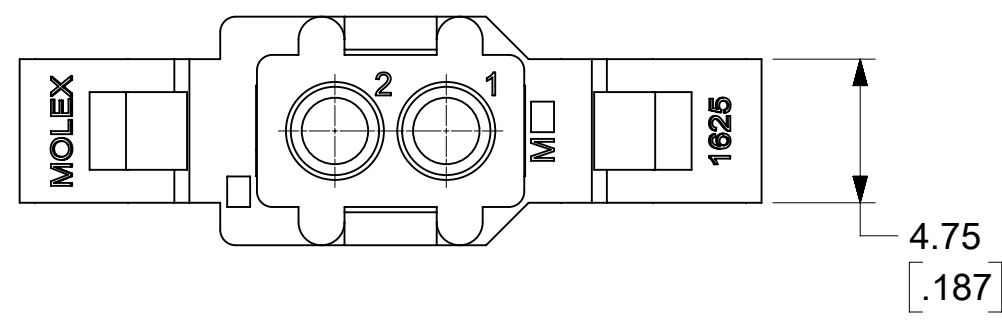
可配插部件

描述	产品编号
1.57mm Diameter Standard .062" Pin and Socket Receptacle Housing, 2 Circuits, with Pre-bent Mounting Ears, Natural	<u>0003061022</u>
1.57mm Diameter Standard .062" Pin and Socket Receptacle Housing, 2 Circuits, without Mounting Ears, Natural	<u>0003061023</u>
1.57mm Diameter Standard .062" Pin and Socket Receptacle Housing, 2 Circuits, without Mounting Ears, Black	<u>0003066023</u>

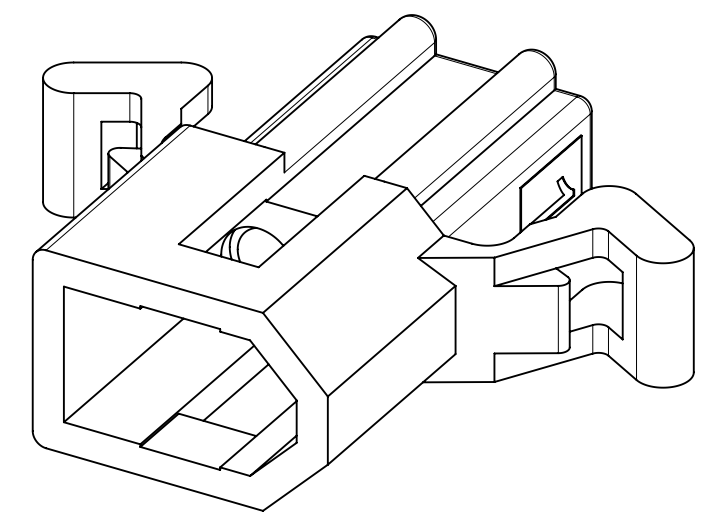
可连接使用部件

描述	产品编号
Standard .062" Pin and Socket Female Crimp Terminals	<u>1561</u>

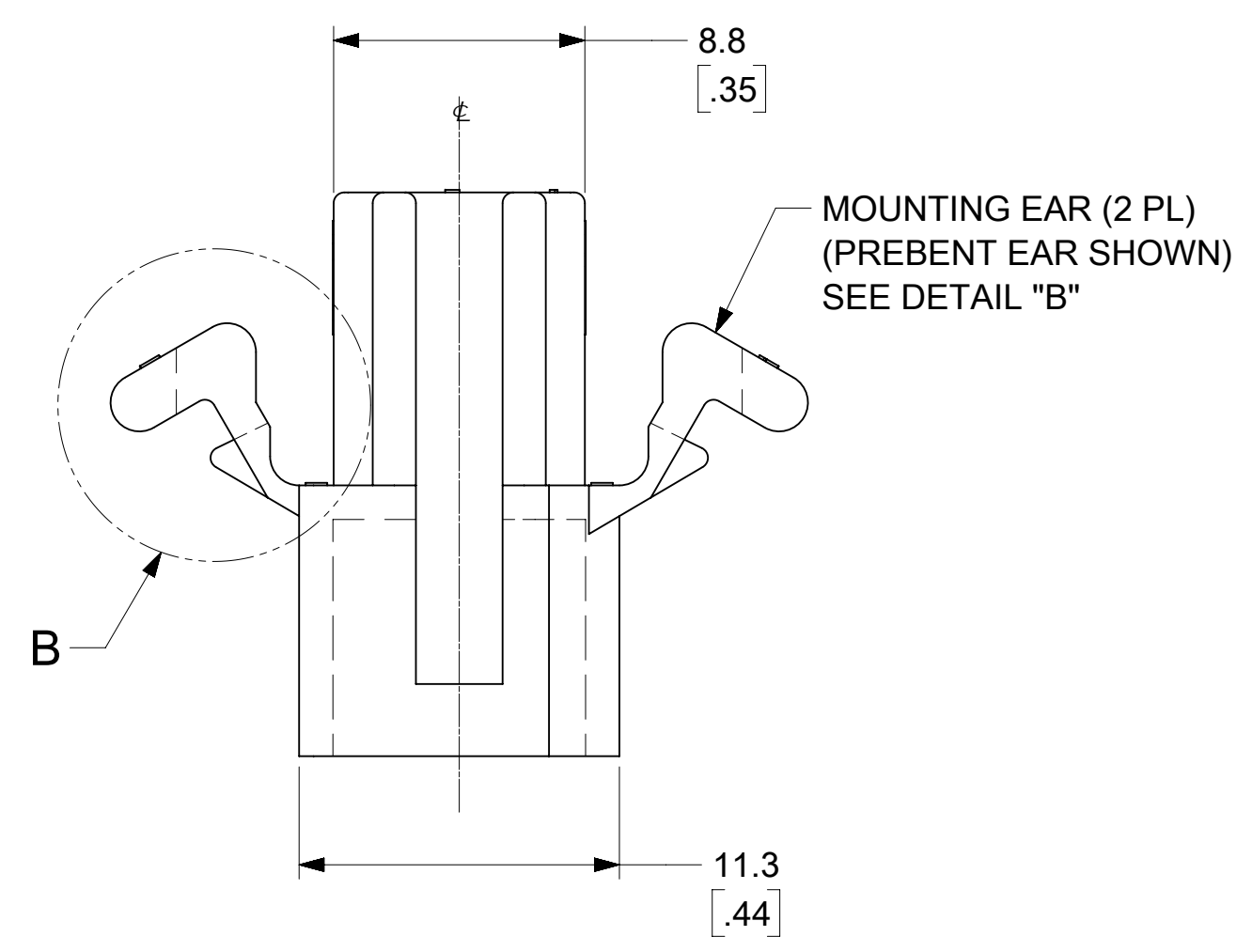
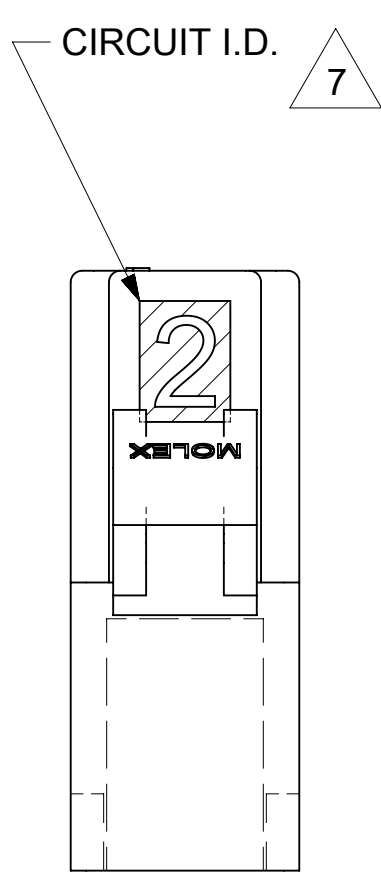
Standard .062" Pin and Socket Female Crimp Terminals	<u>1855</u>
Standard .062" Pin and Socket Male Crimp Terminals	<u>1560</u>
Standard .062" Pin and Socket Male Crimp Terminals	<u>1854</u>
Standard .062" Pin and Socket Male PC Tail Terminals	<u>1778</u>
Standard .062" Pin and Socket Female PC Tail Terminals	<u>1779</u>



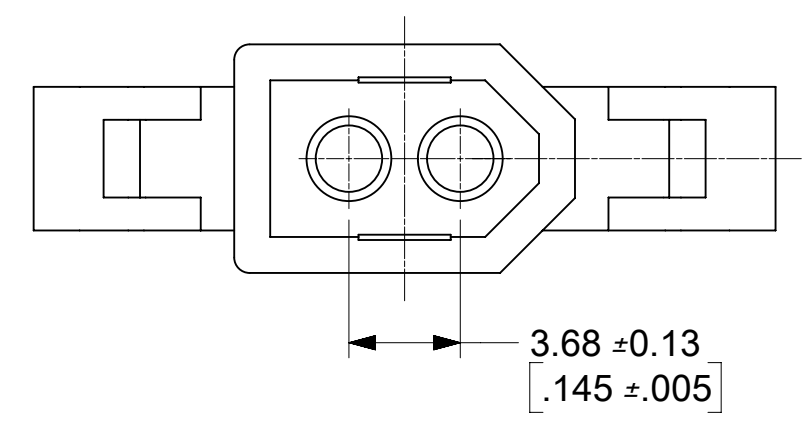
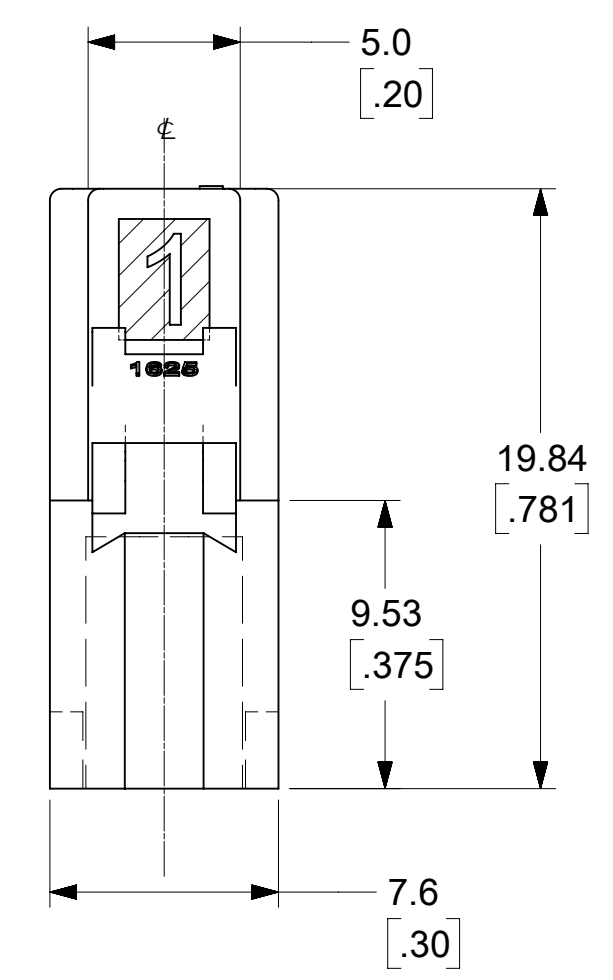
PLUG HOUSING WITH NO EARS



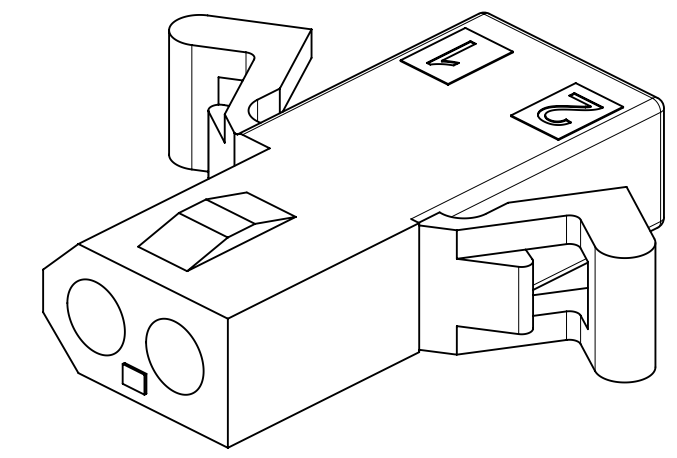
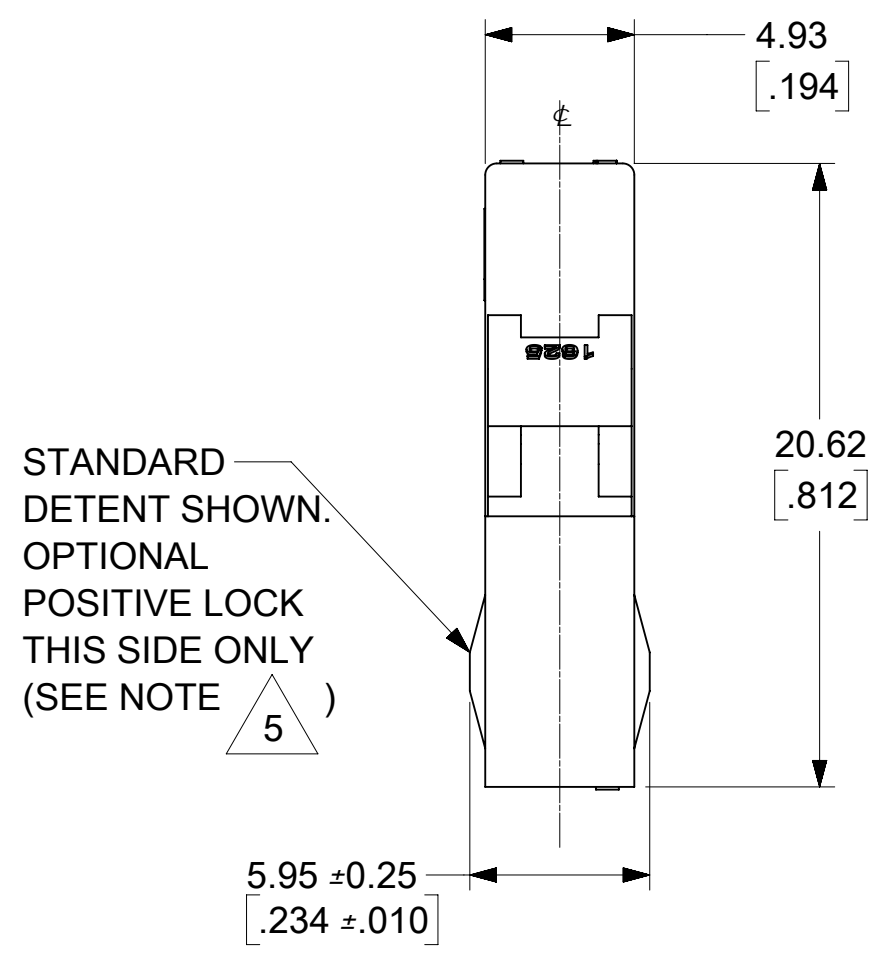
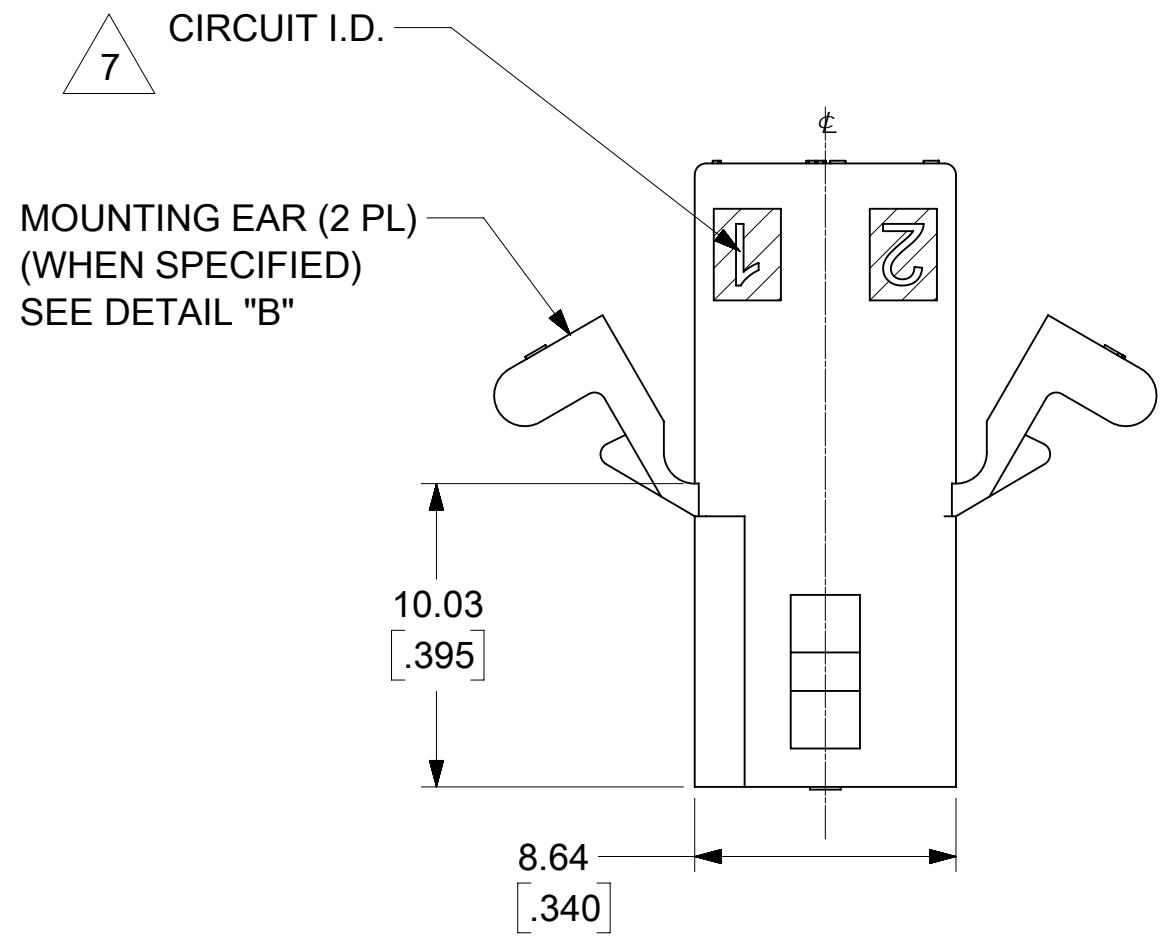
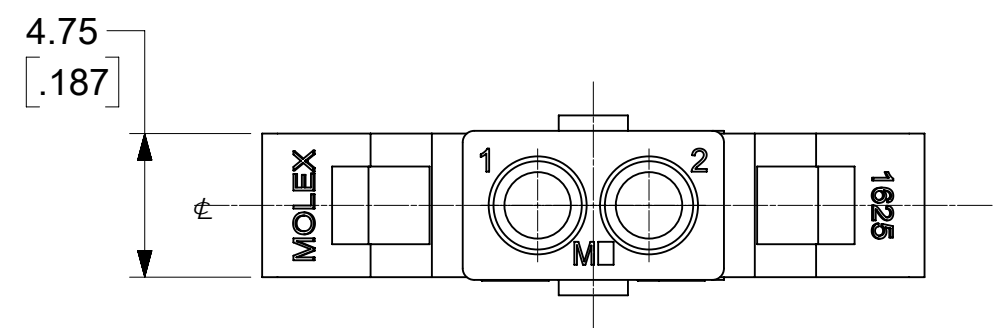
PLUG HOUSING WITH PREBENT EARS



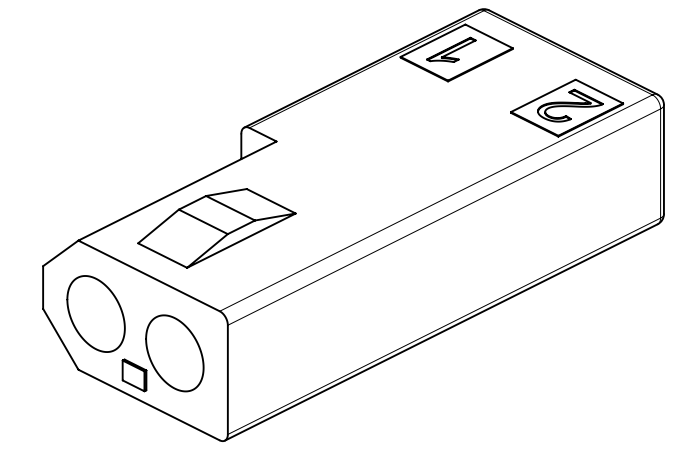
MOUNTING EAR (2 PL)
(PREBENT EAR SHOWN)
SEE DETAIL "B"



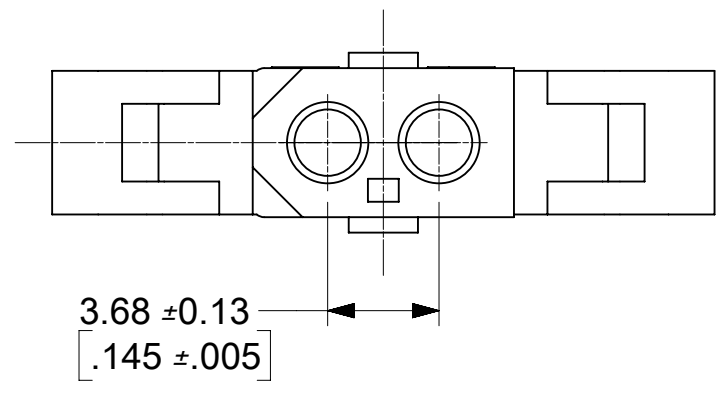
QUALITY SYMBOLS		THIS DRAWING CONTAINS INFORMATION THAT IS PROPRIETARY TO MOLEX ELECTRONIC TECHNOLOGIES, LLC AND SHOULD NOT BE USED WITHOUT WRITTEN PERMISSION															
▽ = 0	▽ = 0	REDRAWING IN NX EC NO: 120335 DRWN: MKIPPER CHKD: MKIPPER REV / APPR: FSMITH	GENERAL TOLERANCES (UNLESS SPECIFIED)				DIMENSION UNITS		SCALE								
▽ = 0	▽ = 0		MM		INCH		MM/IN		4:1								
▽ = 0	▽ = 0		4 PLACES ±	±			DRWN BY		DATE								
▽ = 0	▽ = 0		3 PLACES ±	± 0.007			ZHARPER		2017/06/20								
▽ = 0	▽ = 0		2 PLACES ± 0.18	± 0.01			CHK'D BY		DATE		.062 2CKT PLUG AND RECEPTACLE HOUSING						
▽ = 0	▽ = 0	1 PLACES ± 0.25	±			MKIPPER		2017/06/20									
▽ = 0	▽ = 0	0 PLACES ±	±			APPR BY		DATE		PRODUCT CUSTOMER DRAWING							
▽ = 0	▽ = 0	ANGULAR TOL = 1.0				DRAWING SIZE		THIRD ANGLE PROJECTION		SERIES		MATERIAL NUMBER		CUSTOMER			
▽ = 0	▽ = 0	DRAFT WHERE APPLICABLE MUST REMAIN WITHIN DIMENSIONS				C				1625		SEE CHART					
▽ = 0	▽ = 0	DOCUMENT NUMBER		DOC TYPE		DOC PART		SHEET NUMBER		16250200-SD		PSD		000		1 OF 3	



RECEPTACLE HOUSING
(1625-2R2 SHOWN)



RECEPTACLE HOUSING
(1625-2R3 SHOWN)



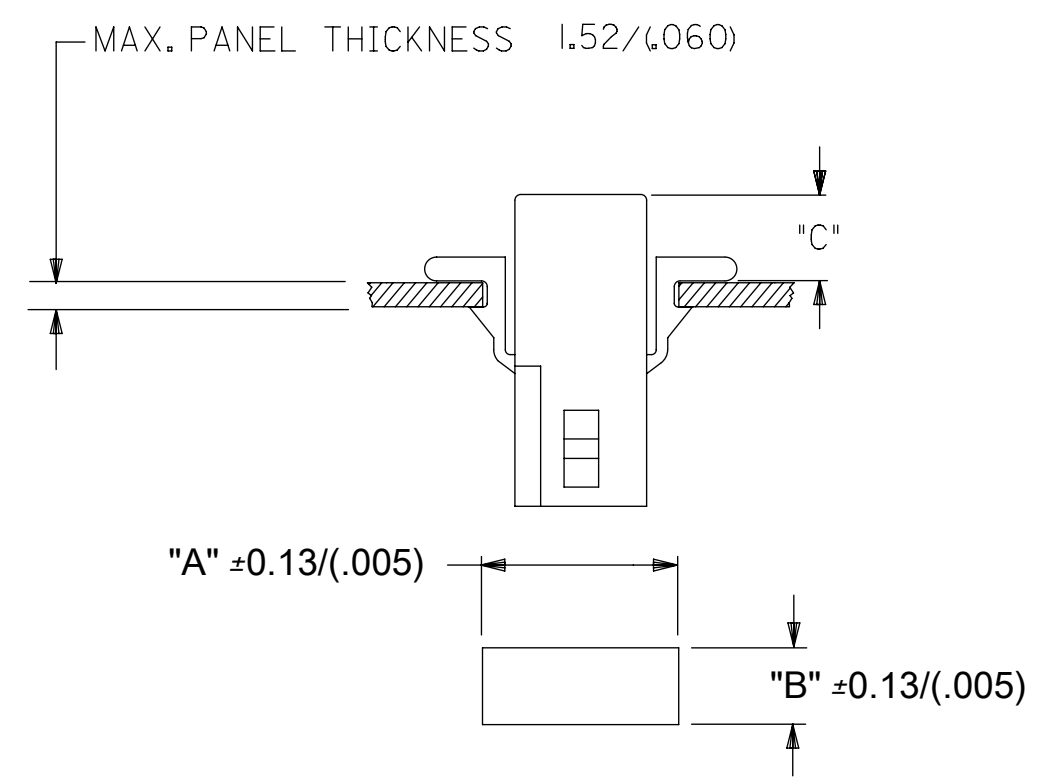
QUALITY SYMBOLS		THIS DRAWING CONTAINS INFORMATION THAT IS PROPRIETARY TO MOLEX ELECTRONIC TECHNOLOGIES, LLC AND SHOULD NOT BE USED WITHOUT WRITTEN PERMISSION										
▽ = 0	▽ = 0	REDRAWING IN NX EC NO: 120335 DRWN: MKIPPER CHKD: MKIPPER REV / APPR: FSMITH	GENERAL TOLERANCES (UNLESS SPECIFIED)				DIMENSION UNITS	SCALE	molex			
▽ = 0	▽ = 0		MM		INCH		MM/IN	4:1				
▽ = 0	▽ = 0		4 PLACES	±	±	DRWN BY	DATE	.062 2CKT PLUG AND RECEPTACLE HOUSING				
▽ = 0	▽ = 0		3 PLACES	±	± 0.007	ZHARPER	2017/06/20					
▽ = 0	▽ = 0		2 PLACES	± 0.18	± 0.01	CHK'D BY	DATE	PRODUCT CUSTOMER DRAWING				
▽ = 0	▽ = 0		1 PLACES	± 0.25	±	MKIPPER	2017/06/20					
▽ = 0	▽ = 0	0 PLACES	±	±	APPR BY	DATE	SERIES MATERIAL NUMBER CUSTOMER					
▽ = 0	▽ = 0	ANGULAR TOL = 1.0		DRAWING SIZE		THIRD ANGLE PROJECTION					1625	SEE CHART
▽ = 0	▽ = 0	DRAFT WHERE APPLICABLE MUST REMAIN WITHIN DIMENSIONS				C			DOCUMENT NUMBER DOC TYPE DOC PART SHEET NUMBER			
▽ = 0	▽ = 0	A					C		16250200-SD	PSD	000	2 OF 3

PLUG	
PART NO.	ENG. NO.
03-06-7023	1625-2P1BK
03-06-2023	1625-2P1
03-06-2024	1625-2P2

PLUG LEGEND:
 1625-2P **
 CIRCUIT SIZE
 P = PLUG
 1 = WITHOUT MOUNTING EARS
 2 = WITH PREBENT MOUNTING EARS
 BLANK = NATURAL
 BK = BLACK

RECEPTACLE	
PART NO.	ENG. NO.
03-06-6023	1625-2R1BK
03-06-1023	1625-2R1
03-06-1022	1625-2R2

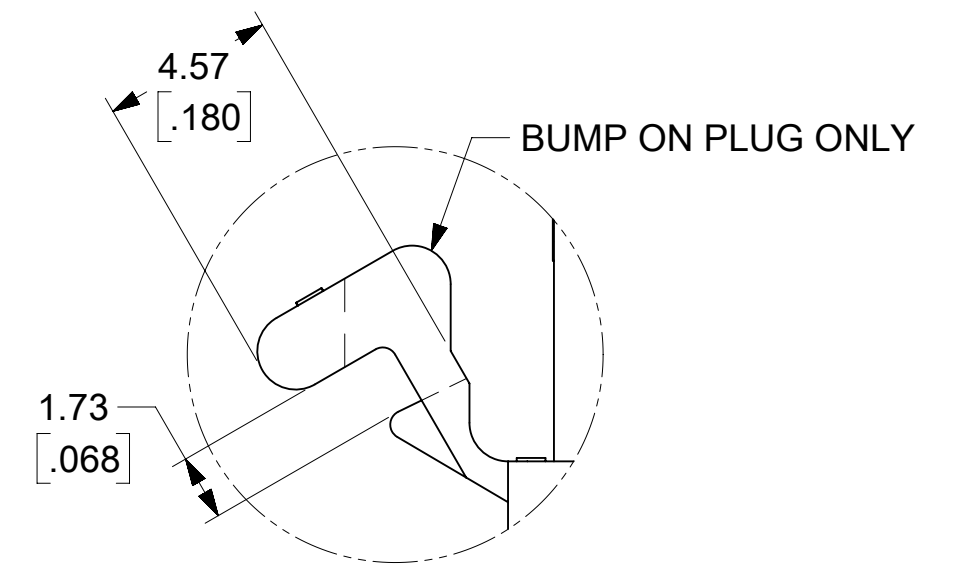
RECEPTACLE LEGEND:
 1625-2R **
 CIRCUIT SIZE
 R = RECEPTACLE
 1 = WITHOUT MOUNTING EARS; WITH DETENTS
 2 = WITH PREBENT MOUNTING EARS; WITH DETENTS
 BLANK = NATURAL
 BK = BLACK



"A" ±0.13/(.005)
 "B" ±0.13/(.005)

RECOMMENDED HOLE PATTERN
 (NOT TO SCALE)

HOUSING	DIM. "A"	DIM. "B"	PREBENT EAR DIM. "C"	STD. EAR DIM. "C"
PLUG	15.47 [.609]	8.08 [.318]	6.0 [.24]	6.1 [.24]
RECEPTACLE	12.83 [.505]	6.73 [.265]	6.4 [.25]	6.4 [.25]



DETAIL B
 SCALE 5:1

- NOTES:**
1. MATERIAL - NYLON TYPE 6/6, 94V-2
 2. FINISH: NONE
 3. PRODUCT SPECIFICATION: PS-02-06
 4. PACKAGING SPECIFICATION: PK-1625-003.
 5. HOUSING FOR USE WITH MOLEX .062/(1.57) DIA. SERIES TERMINALS.
 6. CIRCUIT I.D. NUMBERS ON SIDE OF HOUSING APPEAR ON PARTS FROM TOOLS BUILT AFTER 07/01/1991.
 7. THIS PART CONFORMS TO CLASS B REQUIRMENTS OF COSMETIC SPECIFICATION PS-45499-002.
 8. THIS DRAWING REPLACES SD-1625-2*.

QUALITY SYMBOLS 	THIS DRAWING CONTAINS INFORMATION THAT IS PROPRIETARY TO MOLEX ELECTRONIC TECHNOLOGIES, LLC AND SHOULD NOT BE USED WITHOUT WRITTEN PERMISSION				
	REDRAWING IN NX EC NO: 120335 DRWN: MKIPPER CHKD: MKIPPER REV / APPR: FSMITH	2017/07/17 2017/08/09 2017/08/10		GENERAL TOLERANCES (UNLESS SPECIFIED) MM/IN 4 PLACES ± ± 3 PLACES ± ± 0.007 2 PLACES ± 0.18 ± 0.01 1 PLACES ± 0.25 ± 0 PLACES ± ± ANGULAR TOL = 1.0 DRAFT WHERE APPLICABLE MUST REMAIN WITHIN DIMENSIONS	DIMENSION UNITS MM/IN SCALE 4:1 DRWN BY ZHARPER DATE 2017/06/20 CHK'D BY MKIPPER DATE 2017/06/20 APPR BY FSMITH DATE 2017/06/30 DRAWING SIZE C THIRD ANGLE PROJECTION
					PRODUCT CUSTOMER DRAWING SERIES: 1625 MATERIAL NUMBER: SEE CHART CUSTOMER:
		.062 2CKT PLUG AND RECEPTACLE HOUSING			
RELEASE STATUS: P1 RELEASE DATE: 10.08.2017 20:12:36		DOCUMENT NUMBER: 16250200-SD DOC TYPE: PSD DOC PART: 000 SHEET NUMBER: 3 OF 3			