

产品编号 : 03091064

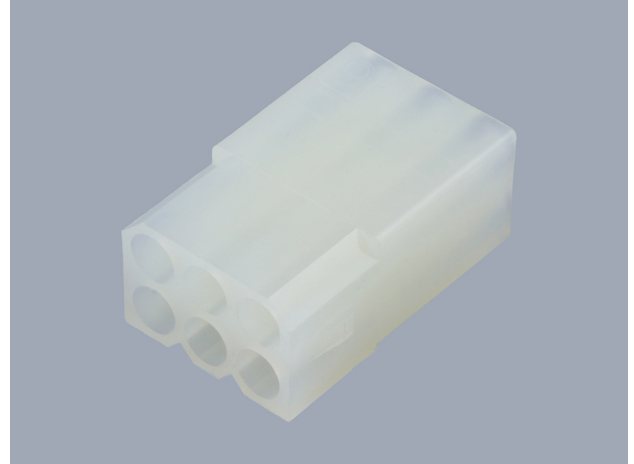
Product Description : 2.36mm Diameter  
Standard .093" Pin and Socket Receptacle  
Housing, 6 Circuits, Dual Row, Natural

系列号 : 1261

状态 : Active

Product Category : Connector Housings

工程编号 : 1261-R3



## 文件和资源

### 图纸

图纸 003091064\_sd.pdf

### 3D 模型和设计文件

3D模型 003091064\_stp.zip

### 规格


包装规格 PK-1261-001-001.pdf

产品规格 PS-02-09-001.pdf

产品规格 PS-43660-9999-001.pdf

## 产物环境合规

### 合规

GADSL/IMDS	Not Relevant
China RoHS	
EU ELV	Not Relevant
Low-Halogen Status	Low-Halogen per IEC 61249-2-21
REACH SVHC	Not Contained per D(2023)3788-DC (14 Jun 2023)
EU RoHS	Compliant per EU 2015/863

### 多部分产品合规性声明

- Eu RoHS

- REACH SVHC

- Low-Halogen

多部分行业合规性文件

- IPC 1752A Class C

- IPC 1752A Class D

- Molex Product Compliance Declaration

- IEC-62474

- chemSHERPA (xml)

欧盟 RoHS 合格证书

---

## 产品详情

常规

状态	活动
类别	Connector Housings
系列	1261
说明	2.36mm Diameter Standard .093" Pin and Socket Receptacle Housing, 6 Circuits, Dual Row, Natural
应用	Power, Wire-to-Wire
个评论	14.0A max. can be achieved when housing is used with 42477 or 42478 terminals
产品系列	Standard .093" Pin and Socket Connectors
产品名称	Standard .093"
UPC	800753618589

机构

CSA	LR19980
UL	E29179

物理

电路数（最多）	6
颜色-树脂	Natural
阻燃性	94V-2
性别	Receptacle
符合灼热丝规范	否
材料 - 树脂	Nylon

净重	2.618/g
行数	2
包装形式	Bag
面板安装式	否
间距 - 插配接口	5.03mm
间距 - 终端界面	5.03mm
可堆叠的	否
运行温度范围	-40° to +105° C

## 进程

无铅	不适用
----	-----

---

## 可配插/可连接使用的产品

### 可配插部件

描述	产品编号
2.36mm Diameter Standard .093" Pin and Socket Plug Housing, 6 Circuits, Dual Row	<u>0003092061</u>
2.36mm Diameter Standard .093" Pin and Socket Plug Housing, 6 Circuits, Dual Row	<u>0003092062</u>
Standard .093" Pin and Socket Vertical Headers	<u>3099</u>

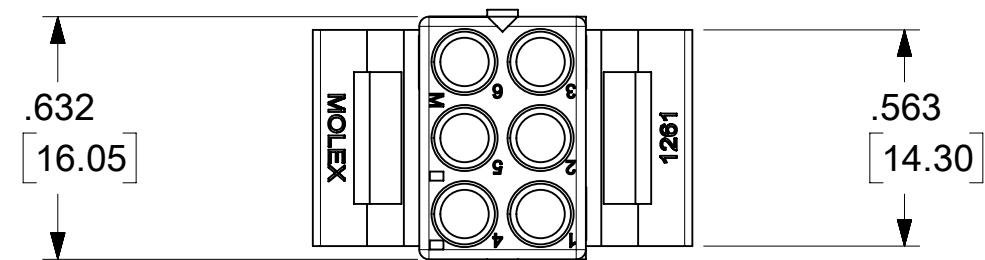
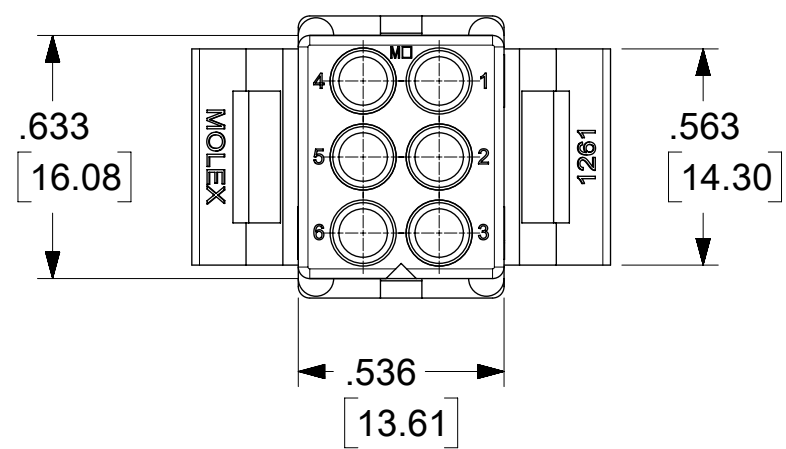
### 可连接使用部件

描述	产品编号
Standard .093" Pin and Socket Female Crimp Terminals	<u>1189</u>
Standard .093" Pin and Socket Male Crimp Terminals	<u>1190</u>
Standard .093" Pin and Socket Male Crimp Terminals	<u>1380</u>
Standard .093" Pin and Socket Female Crimp Terminals	<u>1381</u>
Standard .093" Pin and Socket Male Crimp Terminal	<u>1434</u>
Standard .093" Pin and Socket Male Crimp Grounding Terminals	<u>1973</u>

---

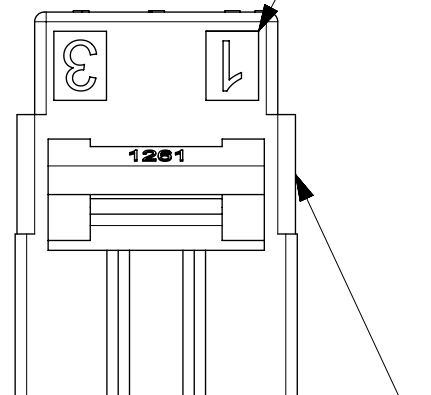
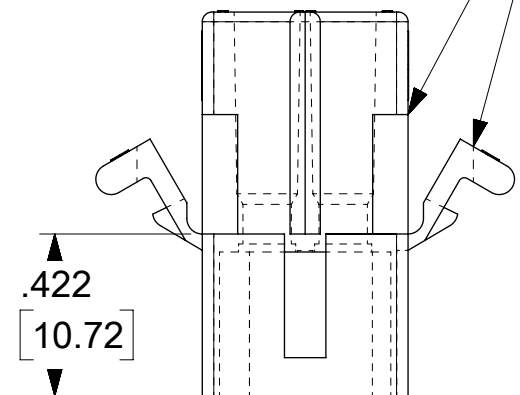
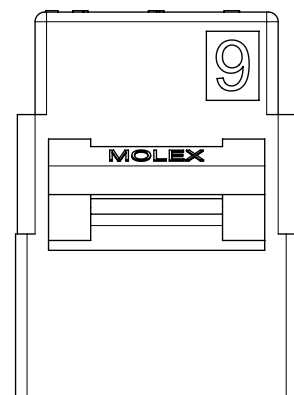
---

This document was generated on Dec 29, 2023



OPTIONAL MOUNTING EAR & RIB (PREBENT EAR SHOWN) SEE DETAIL H & E

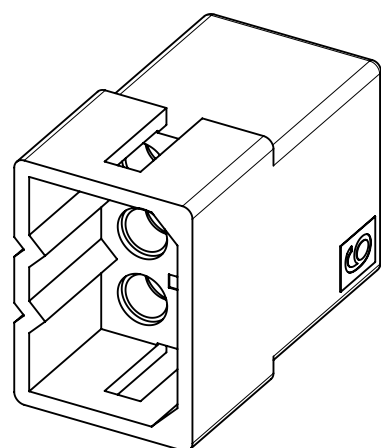
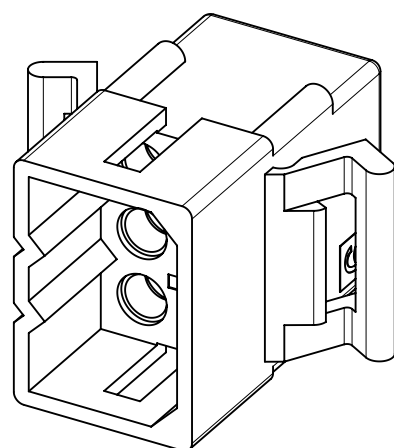
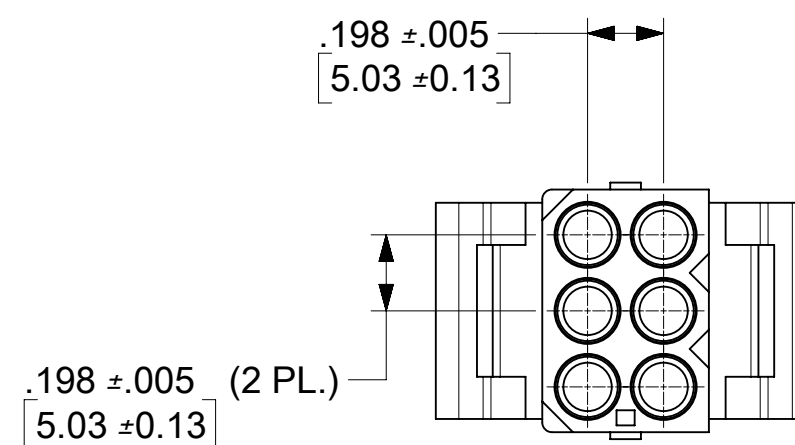
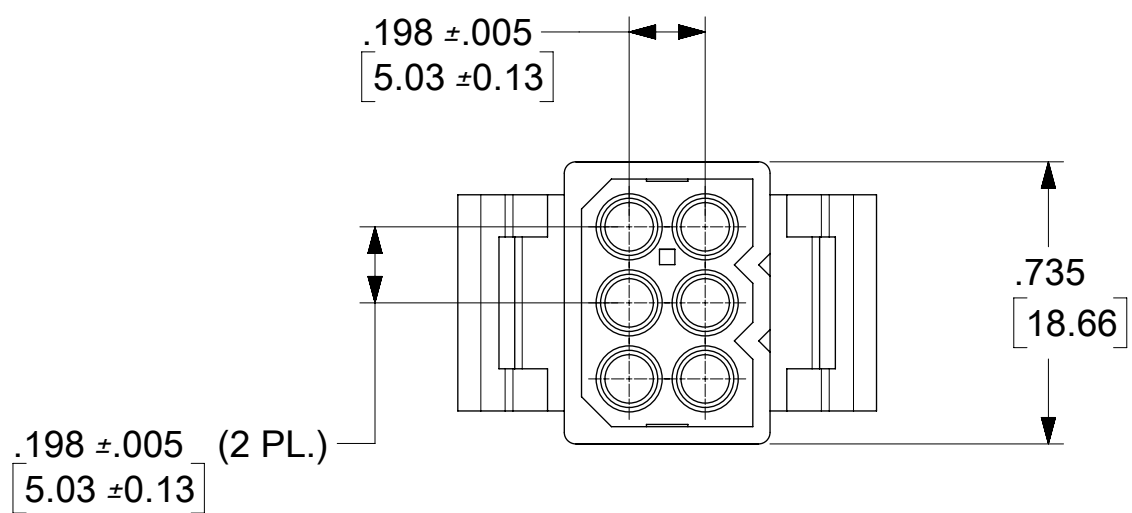
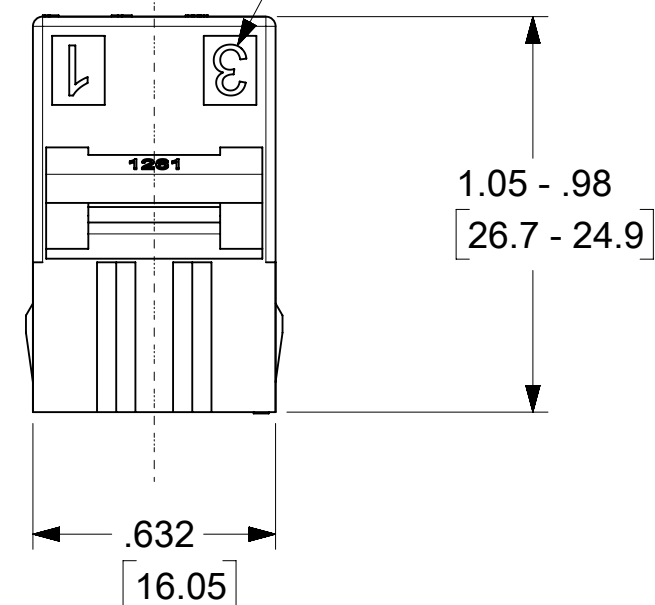
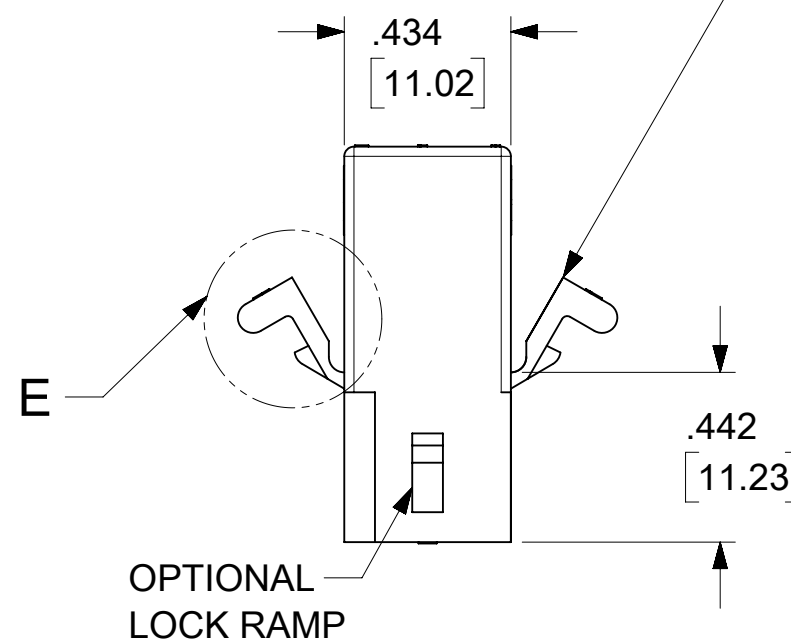
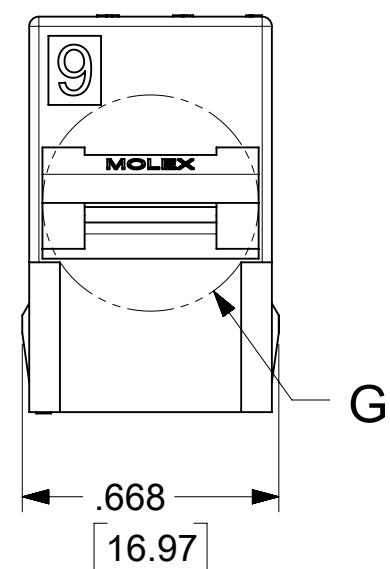
6 CIRCUIT I.D. 3 PLACES



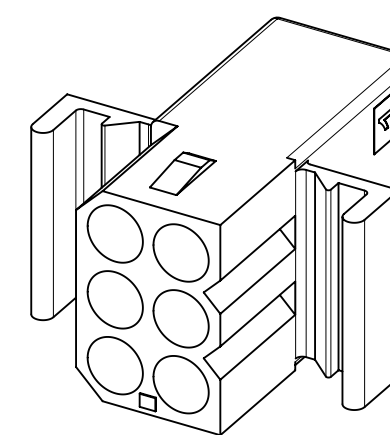
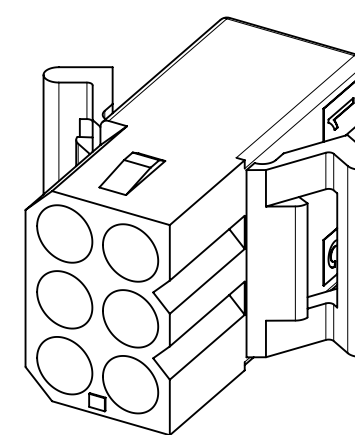
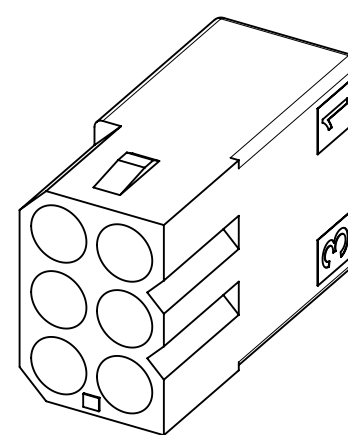
RIBS PRESENT ON PARTS WITH MOUNTING EARS ONLY

OPTIONAL MOUNTING EAR (PREBENT EAR SHOWN) SEE DETAIL H & E

6 CIRCUIT I.D. 3 PLACES



PLUG



PREBENT MOUNTING EARS

STANDARD MOUNTING EARS

RECEPTACLE

THIS DRAWING CONTAINS INFORMATION THAT IS PROPRIETARY TO MOLEX ELECTRONIC TECHNOLOGIES, LLC AND SHOULD NOT BE USED WITHOUT WRITTEN PERMISSION										
QUALITY SYMBOLS	UPDATE VIEWS	GENERAL TOLERANCES (UNLESS SPECIFIED)	DIMENSION UNITS		SCALE					
			IN/MM	SCALE	2:1					
▽ = 0	2017/03/09	MM	INCH	DRWN BY	DATE	.093/2.36 PLUG AND RECEPTACLE HOUSING				
▽ = 0	2017/04/06	4 PLACES ±	±	BAPPELDORN	2017/01/11					
▽ = 0	2017/04/07	3 PLACES ±	± 0.007	CHK'D BY	DATE	PRODUCT CUSTOMER DRAWING				
▽ = 0		2 PLACES ±	± 0.18 ± 0.01	MKIPPER	2017/01/11					
▽ = 0		1 PLACES ±	± 0.25 ±	APPR BY	DATE	SERIES MATERIAL NUMBER CUSTOMER				
▽ = 0		0 PLACES ±	±	FSMITH	2017/01/18					
▽ = 0	EC NO: 114311	ANGULAR TOL =		DRAWING SIZE		1261 SEE CHART GENERAL MARKET				
▽ = 0	DRWN: MKIPPER	DRAFT WHERE APPLICABLE MUST REMAIN WITHIN DIMENSIONS		C						
▽ = 0	CHKD: JDFOX			THIRD ANGLE PROJECTION		DOCUMENT NUMBER		DOC TYPE	DOC PART	SHEET NUMBER
▽ = 0	REV   APPR: FSMITH			C		12610000-SD		PSD	000	1 OF 2

PLUG	
PART NO.	ENG. NO.
03-09-2061	1261-P
03-09-2062	1261-P1

RECEPTACLE	
PART NO.	ENG. NO.
03-09-1061	1261-R
03-09-1062	1261-R1
03-09-1063	1261-R2
03-09-1064	1261-R3
46999-0809	1261-R4
46999-0810	1261-R5

### LEGEND: PLUG

1261 - P \* \* \* - \* \* \*

P = PLUG

BLANK = PLUG WITH PREBENT MOUNTING EARS  
1 = PLUG WITHOUT MOUNTING EARS

COLOR: BLANK = NATURAL COLOR  
AM= AMBER BK= BLACK BU= BLUE  
BN= BROWN GY= GRAY GN= GREEN  
OR= ORANGE RD= RED YW= YELLOW

MATERIAL: BLANK = NYLON 6/6, UL94V-2

### LEGEND: RECEPTACLE

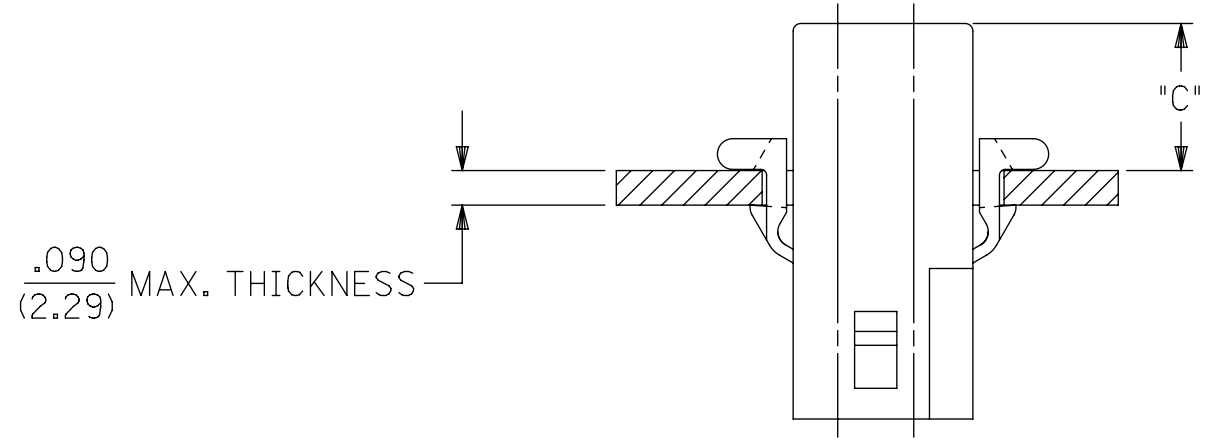
1261 - R \* \* \* - \* \* \*

R = RECEPTACLE

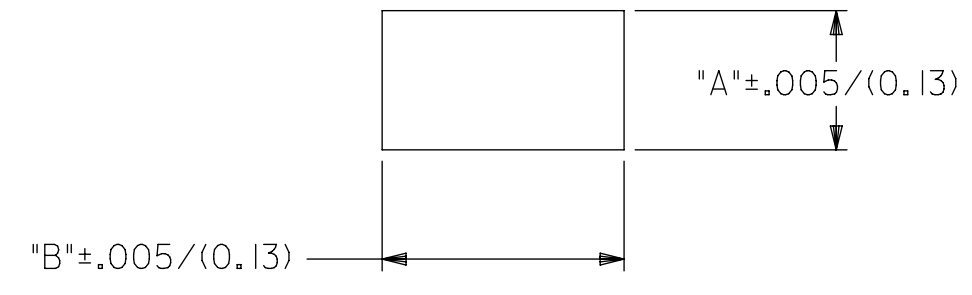
BLANK = WITH STD. MOUNTING EARS, WITH LOCK RAMP  
1 = WITH STD. MOUNTING EARS, WITHOUT LOCK RAMP  
2 = WITHOUT MOUNTING EARS, WITHOUT LOCK RAMP  
3 = WITHOUT MOUNTING EARS, WITH LOCK RAMP  
4 = WITH PREBENT MOUNTING EARS, WITH LOCK RAMP  
5 = WITH PREBENT MOUNTING EARS, WITHOUT LOCK RAMP

COLOR: BLANK = NATURAL COLOR  
AM= AMBER BK= BLACK BU= BLUE  
BN= BROWN GY= GRAY GN= GREEN  
OR= ORANGE RD= RED YW= YELLOW

MATERIAL: BLANK = NYLON 6/6, UL94V-2



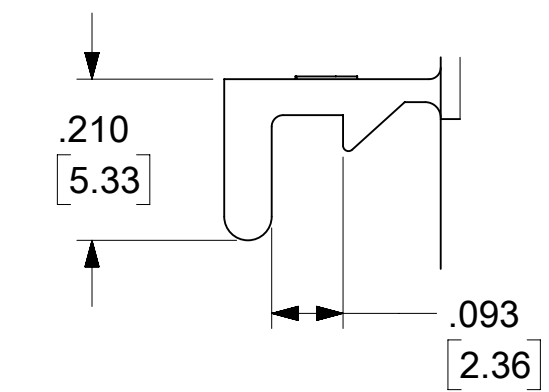
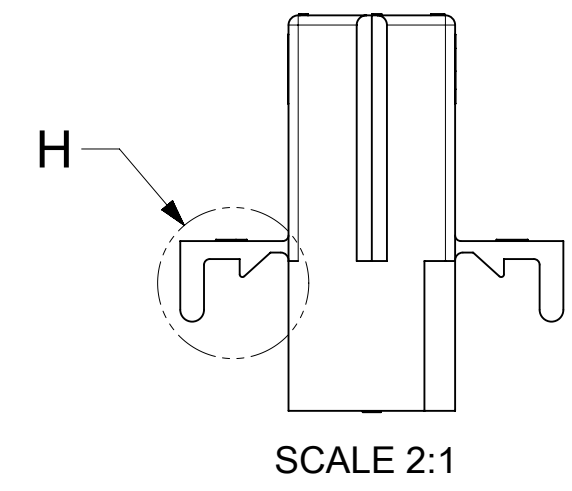
$\frac{.090}{(2.29)}$  MAX. THICKNESS



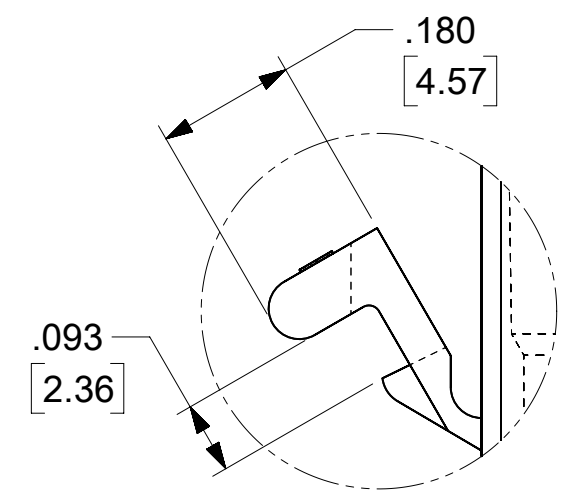
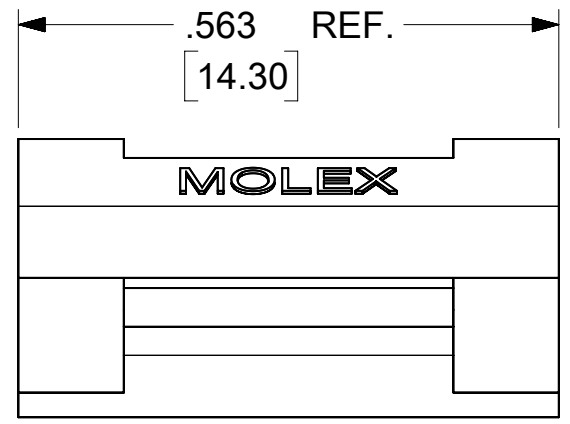
### MOUNTING HOLE CUTOUT

HOUSING	DIM. "A"	DIM. "B"	DIM. "C" (STD. EAR)	DIM. C (PREBENT)
PLUG	.750/(19.05)	.695/(17.65)	.39/(9.9)	.40/(10.1)
RECEPTACLE	.718/(18.24)	.600/(15.24)	.40/(10.1)	.41/(10.3)

- NOTES:
- MATERIAL: SEE LEGEND
  - FINISH: NONE
  - PRODUCT SPECIFICATION: PS-43660-9999
  - PACKAGING INFORMATION: PK-1261-001
  - HOUSINGS FOR USE WITH MOLEX .093/(2.36) PIN AND SOCKET TERMINALS.
  - CIRCUIT I.D. NUMBERS ON SIDE OF HOUSING APPEAR ON PARTS FROM TOOLS BUILT AFTER 9/3/91.
  - WHERE DENOTED IN CHART, TOOLS ARE BUILT WITH PREBENT MOUNTING EARS PER DETAIL E AND SUPERSEDE ALL TOOLS PREVIOUSLY BUILT WITH THE STANDARD MOUNTING EARS.
  - TEXT AND CIRCUIT IDENTIFIERS ARE SHOWN IN APPROXIMATE LOCATION BUT MAY VARY TO ACCOMODATE TOOLING.
  - THIS PART CONFORMS TO CLASS B REQUIREMENTS OF COSMETIC SPECIFICATION PS-45499-002.
  - THIS DRAWING REPLACES SD-1261-\*



DETAIL H  
SCALE 4:1  
.093/(2.36) STANDARD MOUNTING EAR



DETAIL E  
SCALE 4:1  
.093/(2.36) PREBENT MOUNTING EAR

QUALITY SYMBOLS	THIS DRAWING CONTAINS INFORMATION THAT IS PROPRIETARY TO MOLEX ELECTRONIC TECHNOLOGIES, LLC AND SHOULD NOT BE USED WITHOUT WRITTEN PERMISSION			
	GENERAL TOLERANCES (UNLESS SPECIFIED)		DIMENSION UNITS	SCALE
	0	MM	INCH	1:1
	0	4 PLACES ±		DRWN BY DATE
	0	3 PLACES ±	± 0.007	BAPPELDORN 2017/01/11
	0	2 PLACES ±	± 0.18 ± 0.01	CHK'D BY DATE
	0	1 PLACES ±	± 0.25 ±	MKIPPER 2017/01/11
	0	0 PLACES ±	±	APPR BY DATE
	0	ANGULAR TOL ±		FSMITH 2017/01/18
	0	DRAFT WHERE APPLICABLE MUST REMAIN WITHIN DIMENSIONS		DRAWING SIZE THIRD ANGLE PROJECTION
	0	C		
UPDATE VIEWS		SERIES MATERIAL NUMBER CUSTOMER		
EC NO: 114311	DRWN: MKIPPER	2017/03/09	2017/04/06	2017/04/07
CHKD: JDFOX	APPR: FSMITH			
A1		1261	SEE CHART	GENERAL MARKET
RELEASE STATUS P1		DOCUMENT NUMBER 12610000-SD		DOC TYPE PSD
RELEASE DATE 07.04.2017 21:41:04		DOC PART 000		SHEET NUMBER 2 OF 2