



产品编号：[03092092](#)

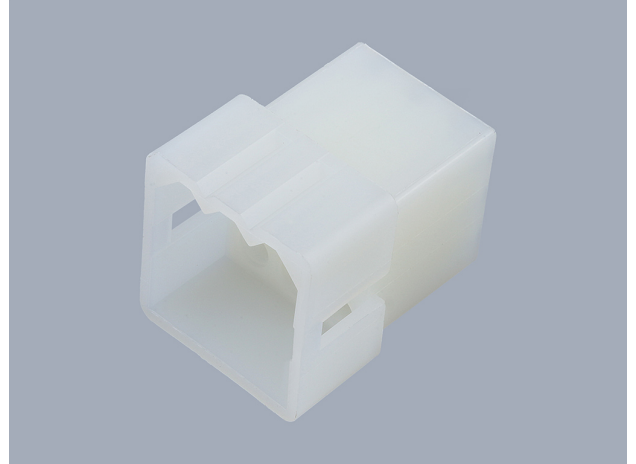
Product Description：[2.36mm Diameter Standard .093" Pin and Socket Plug Housings, 9 Circuits, 3 Rows](#)

系列号：[1292](#)

状态：[Active](#)

Product Category：[Connector Housings](#)

工程编号：[1292-P1](#)



---

## 文件和资源

### 图纸

[图纸 003092092\\_sd.pdf](#)

[包装设计图 PK-1292-001-001.pdf](#)

### 3D 模型和设计文件

[3D模型 003092092\\_stp.zip](#)

### 规格

[产品规格 PS-1292-001-001.pdf](#)

[产品规格 PS-1292-002-001.pdf](#)


[产品规格 PS-02-09-001.pdf](#)

[产品规格 PS-43660-9999-001.pdf](#)

---

## 产物环境合规

### 合规

GADSL/IMDS	Not Relevant
China RoHS	
EU ELV	Not Relevant
Low-Halogen Status	Low-Halogen per IEC 61249-2-21
REACH SVHC	Not Contained per D(2023)3788-DC (14 Jun 2023)
EU RoHS	Compliant per EU 2015/863

[多部分产品合规性声明](#)

- Eu RoHS
- REACH SVHC
- Low-Halogen

多部分行业合规性文件

- IPC 1752A Class C
- IPC 1752A Class D
- Molex Product Compliance Declaration
- IEC-62474
- chemSHERPA (xml)

欧盟 RoHS 合格证书

## 产品详情

### 常规

状态	活动
类别	Connector Housings
系列	1292
说明	2.36mm Diameter Standard .093" Pin and Socket Plug Housings, 9 Circuits, 3 Rows
应用	Power, Wire-to-Wire
个评论	14.0A max. can be achieved when housing is used with 42477 or 42478 terminals
产品系列	Standard .093" Pin and Socket Connectors
产品名称	Standard .093"
UPC	800753614888

### 机构

CSA	LR19980
UL	E29179

### 物理

电路数（最多）	9
颜色-树脂	Natural
阻燃性	94V-2
性别	Plug
符合灼热丝规范	否

材料 - 树脂	Nylon
净重	3.542/g
行数	3
包装形式	Bag
面板安装式	否
间距 - 插配接口	5.03mm
间距 - 终端界面	5.03mm
可堆叠的	否
运行温度范围	-40° to +105° C

## 进程

无铅	不适用
----	-----

---

## 可配插/可连接使用的产品

### 可配插部件

描述	产品编号
2.36mm Diameter Standard .093" Pin and Socket Receptacle Housings, 9 Circuits, 3 Rows, Natural	<u>0003091091</u>
2.36mm Diameter Standard .093" Pin and Socket Receptacle Housings, 9 Circuits, 3 Rows, with Panel Mount Ears, without Passive Lock Ramp	<u>0003091092</u>
2.36mm Diameter Standard .093" Pin and Socket Receptacle Housings, 9 Circuits, 3 Rows, without Panel Mount Ears, without Passive Lock Ramp	<u>0003091093</u>
2.36mm Diameter Standard .093" Pin and Socket Receptacle Housings, 9 Circuits, 3 Rows, Natural	<u>0003091094</u>

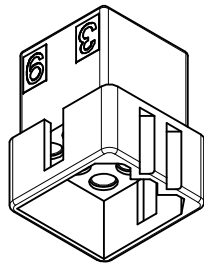
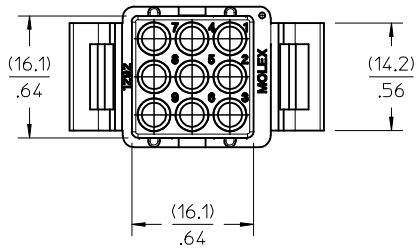
### 可连接使用部件

描述	产品编号
Standard .093" Pin and Socket Female Crimp Terminals	<u>1189</u>
Standard .093" Pin and Socket Male Crimp Terminals	<u>1190</u>

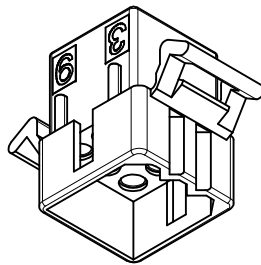
Standard .093" Pin and Socket Male Crimp Terminals	<u>1380</u>
Standard .093" Pin and Socket Female Crimp Terminals	<u>1381</u>
Standard .093" Pin and Socket Male Crimp Terminal	<u>1434</u>
Standard .093" Pin and Socket Male Crimp Grounding Terminals	<u>1973</u>
Standard .093" Pin and Socket Female Crimp Terminal	<u>4550</u>

---

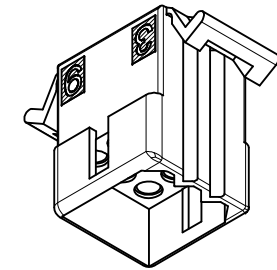
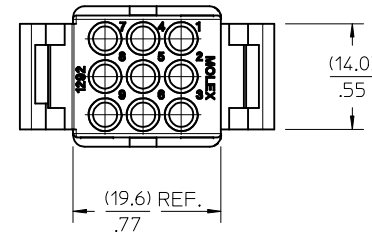
This document was generated on Jan 30, 2024



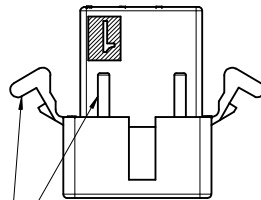
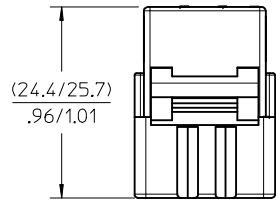
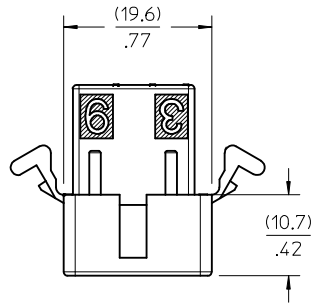
PLUG  
1292-P1 SHOWN



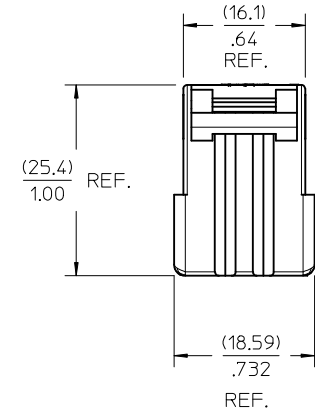
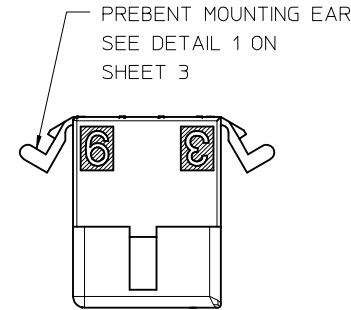
PLUG  
1292-P2 SHOWN (WITH  
RIBS & PREBENT EARS)



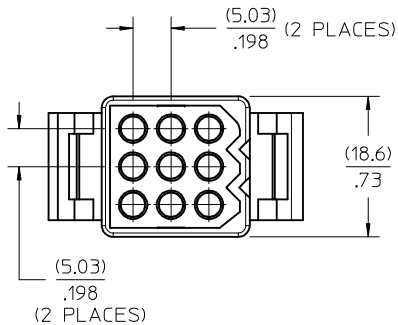
PLUG  
1292-P SHOWN  
(WITH BOTTOM MOUNT PREBENT EARS)



MOUNTING EARS AND  
RIBS OPTION (SEE DETAIL 1 & NOTE 6  
ON SHEET 3)



BOTTOM MOUNT PREBENT EAR OPTION

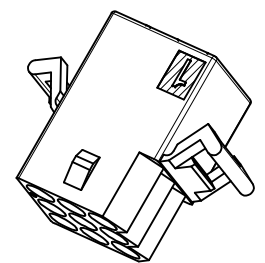
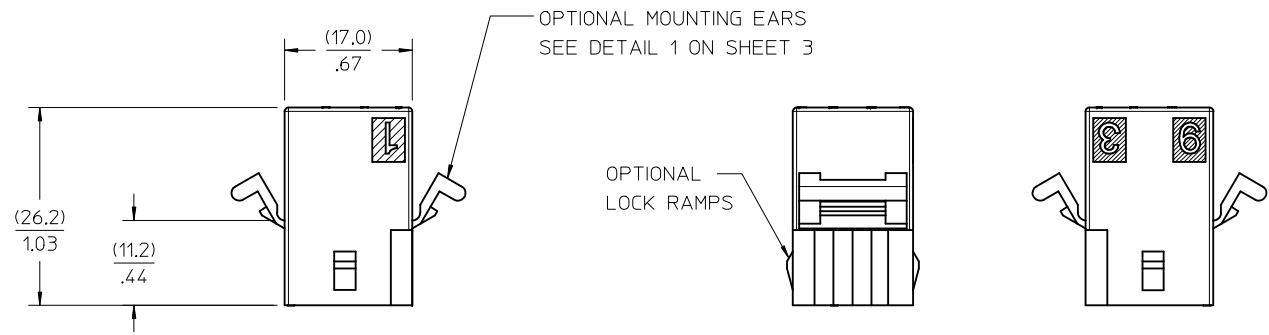
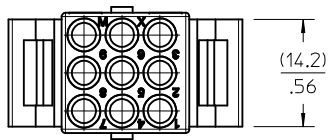


ADD SHEETS 2-3 EC NO: UCP2014-3075 DRW:WKIPPER 2014/01/27 CHKD:JBELL 2014/01/27 APPR:FSMITH 2014/02/14	QUALITY SYMBOLS	GENERAL TOLERANCES (UNLESS SPECIFIED)	DIMENSION STYLE	SCALE	DESIGN UNITS	THIRD ANGLE PROJECTION
	DESCRIPTION	mm INCH	MM/IN	2:1	INCH	
REV		4 PLACES ± .010	DRAWN BY DATE	TITLE		
		3 PLACES ± .014	CSTEWART 2011/07/21	.093/(2.36) HOUSING, PLUG 9 CKT.		
		2 PLACES ± 0.25	CHECKED BY DATE	.198/(5.03) CTRS		
		1 PLACE ± 0.35	APPROVED BY DATE	MOLEX INCORPORATED		
		ANGULAR ± 1/2°	FSMITH 2011/09/12	SD-1292-0001		
			MATERIAL NO.	DOCUMENT NO.	SHEET NO.	
			SEE CHART		1 OF 3	
			SIZE	THIS DRAWING CONTAINS INFORMATION THAT IS PROPRIETARY TO MOLEX INCORPORATED AND SHOULD NOT BE USED WITHOUT WRITTEN PERMISSION		

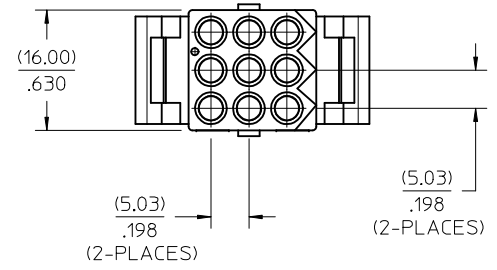
DRAFT WHERE APPLICABLE  
MUST REMAIN  
WITHIN DIMENSIONS

THIS DRAWING CONTAINS INFORMATION THAT IS PROPRIETARY TO MOLEX INCORPORATED AND SHOULD NOT BE USED WITHOUT WRITTEN PERMISSION

MOLEX INCORPORATED  
SD-1292-0001  
SHEET NO. 1 OF 3



**RECEPTACLE**  
1292-R SHOWN  
(WITH PREBENT MOUNTING EARS & LOCK RAMPS)



SEE SHEET 1 EC NO: UCP2014-3075 DRWN:KIPPER 2014/01/27 CHKD:JBELL 2014/01/27 APPR:FSMITH 2014/02/14 W	QUALITY SYMBOLS ▽=0 ▽=0 ▽=0	GENERAL TOLERANCES (UNLESS SPECIFIED) mm INCH 4 PLACES ± --- ± .010 3 PLACES ± --- ± .014 2 PLACES ± 0.25 ± --- 1 PLACE ± 0.35 ± --- ANGULAR ± 1/2°	DIMENSION STYLE MM/IN DRAWN BY DATE C STEWART 2011/07/21 CHECKED BY DATE	SCALE 2:1 DESIGN UNITS INCH THIRD ANGLE PROJECTION	TITLE .093/(2.36) HOUSING, PLUG 9 CKT. .198/(5.03) CTRS	SHEET NO. 2 OF 3
	DRAFT WHERE APPLICABLE MUST REMAIN WITHIN DIMENSIONS	APPROVED BY DATE FSMITH 2011/09/12	MATERIAL NO. SEE CHART	MOLEX INCORPORATED	DOCUMENT NO. SD-1292-0001	THIS DRAWING CONTAINS INFORMATION THAT IS PROPRIETARY TO MOLEX INCORPORATED AND SHOULD NOT BE USED WITHOUT WRITTEN PERMISSION

PLUG	
PART NO.	ENG. NO.
03-09-2091	1292-P
03-09-2092	1292-P1
03-09-7091	1292-PBK
03-09-7092	1292-P1BK
NOT TOOLED	1292-P2
27-09-2092	1292-P1-A

RECEPTACLE	
PART NO.	ENG. NO.
03-09-1091	1292-R
03-09-1092	1292-R1
03-09-6091	1292-RBK
03-09-6092	1292-R1BK
03-09-1093	1292-R2
03-09-6093	1292-R2BK
03-09-1094	1292-R3
03-09-6094	1292-R3BK
27-09-1093	1292-R2-A

**LEGEND: PLUG**

1292-P \* \* \* \* \*

P = PLUG

BLANK = WITH PREBENT BOTTOM MOUNT EARS

1 = WITHOUT EARS

2 = PLUG WITH PREBENT EARS & RIBS

COLOR: BLANK=NATURAL COLOR

AM=AMBER BK=BLACK BU=BLUE

BN=BROWN GY=GRAY GN=GREEN

OR=ORANGE RD=RED YW=YELLOW

MATERIAL: BLANK = NYLON 6/6, U.L. 94V-2

A = NYLON 6/6, U.L. 94V-0

**LEGEND: RECEPTACLE**

1292-R \* \* \* \* \*

R = RECEPTACLE

BLANK = WITH PREBENT EARS, WITH LOCK RAMP

1 = WITH PREBENT EARS, WITHOUT LOCK RAMP

2 = WITHOUT EARS, WITHOUT LOCK RAMP

3 = WITHOUT EARS, WITH LOCK RAMP

COLOR: BLANK=NATURAL COLOR

AM=AMBER BK=BLACK BU=BLUE

BN=BROWN GY=GRAY GN=GREEN

OR=ORANGE RD=RED YW=YELLOW

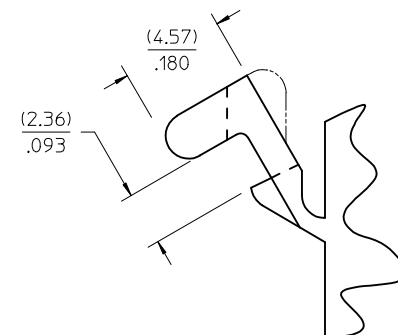
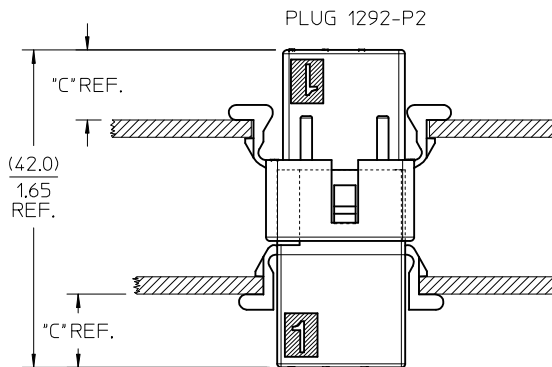
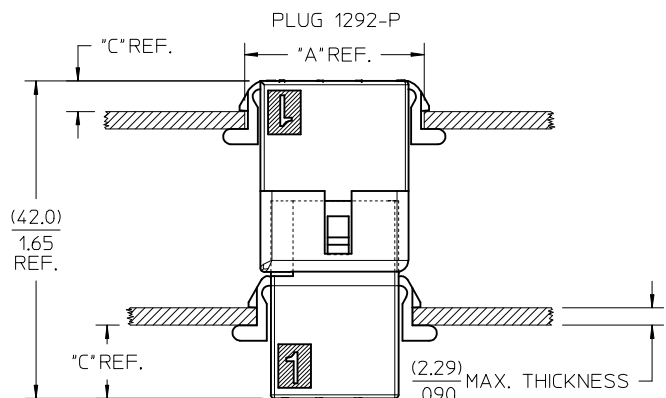
MATERIAL: BLANK = NYLON 6/6, U.L. 94V-2

A = NYLON 6/6, U.L. 94V-0

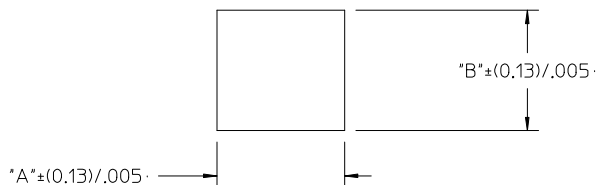
**NOTES:**

1. MATERIAL: SEE LEGEND
2. FINISH: N/A
3. THESE PARTS COMPLY WITH MOLEX PRODUCT SPEC. PS-02-09.
4. PACKAGING: PK-1292-001
5. HOUSINGS FOR USE WITH MOLEX .093/(2.36) PIN AND SOCKET TERMINALS.
6. RIBS ARE PRESENT ONLY ON PLUG 1292-P2.

HOUSING	DIM. "A"	DIM. "B"	DIM. "C"
STD. PLUG	(23.62)/.930	(19.30)/.760	(9.9)/.39
BOTTOM MOUNT PLUG	(23.80)/.937	(16.76)/.660	(4.1)/.16
RECEPTACLE	(21.03)/.828	(18.42)/.725	(10.4)/.41



**DETAIL 1**  
.093/(2.36) PREBENT MOUNTING EAR



**DETAIL 2**  
PANEL CUTOUT VIEW

<b>SEE SHEET 1</b> EC NO: UCP2014-3075 DRW:WKIPPER 2014/01/27 CHKD:JBELL 2014/01/27 APPR:FSMITH 2014/02/14	QUALITY SYMBOLS ▽=0 ▽=0 ▽=0	GENERAL TOLERANCES (UNLESS SPECIFIED)		DIMENSION STYLE <b>MM/IN</b>		SCALE <b>2:1</b>	DESIGN UNITS <b>INCH</b>	THIRD ANGLE PROJECTION
		4 PLACES ± --- ±.010 3 PLACES ± --- ±.014 2 PLACES ± 0.25 ± --- 1 PLACE ± 0.35 ± --- 0 PLACE ± ±	mm INCH ±.010 ±.014 ±.010 ±.014 ±.010 ±.014	DRAWN BY CSTEWARD	DATE 2011/07/21	TITLE <b>.093/(2.36) HOUSING, PLUG 9 CKT. .198/(5.03) CTRS</b>		
		DRAFT WHERE APPLICABLE MUST REMAIN WITHIN DIMENSIONS		APPROVED BY FSMITH	DATE 2011/09/12	DOCUMENT NO. <b>SD-1292-0001</b>		
		MATERIAL NO. <b>SEE CHART</b>		SHEET NO. <b>3 OF 3</b>				