



产品编号：[03091041](#)

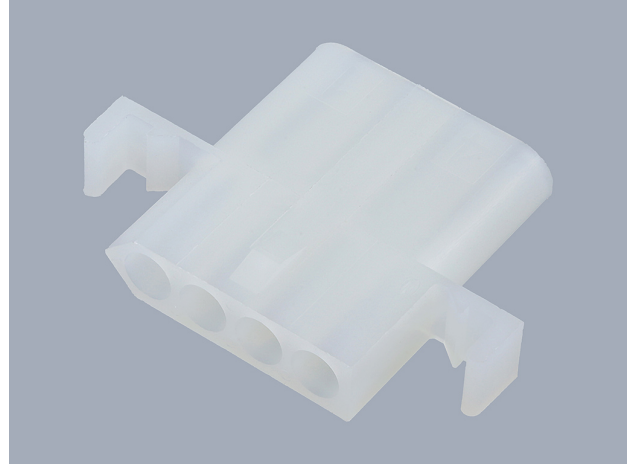
Product Description：[2.36mm Diameter Standard .093" Pin and Socket Receptacle Housing, 4 Circuits, Single Row, Natural](#)

系列号：[1490](#)

状态：[Active](#)

Product Category：[Connector Housings](#)

工程编号：[1490-R](#)



文件和资源

图纸

[图纸 003091041_sd.pdf](#)

[包装设计图 PK-1490-001-001.pdf](#)

3D 模型和设计文件

[3D模型 003091041_stp.zip](#)

规格

[产品规格 PS-02-09-001.pdf](#)

[产品规格 PS-42477-001.pdf](#)

[产品规格 PS-43660-9999-001.pdf](#)

产物环境合规

合规

GADSL/IMDS	Not Relevant
China RoHS	
EU ELV	Not Relevant
Low-Halogen Status	Low-Halogen per IEC 61249-2-21
REACH SVHC	Not Contained per D(2023)3788-DC (14 Jun 2023)
EU RoHS	Compliant per EU 2015/863

多部分产品合规性声明

- Eu RoHS

- REACH SVHC

- Low-Halogen

多部分行业合规性文件

- IPC 1752A Class C

- IPC 1752A Class D

- Molex Product Compliance Declaration

- IEC-62474

- chemSHERPA (xml)

欧盟 RoHS 合格证书

产品详情

常规

状态	活动
类别	Connector Housings
系列	1490
说明	2.36mm Diameter Standard .093" Pin and Socket Receptacle Housing, 4 Circuits, Single Row, Natural
应用	Power, Wire-to-Wire
个评论	14.0A max. can be achieved when housing is used with 42477 or 42478 terminals
产品系列	Standard .093" Pin and Socket Connectors
产品名称	Standard .093"
UPC	800753618954

机构

CSA	LR19980
UL	E29179

物理

电路详图	(1 x 4)
电路数 (最多)	4
颜色-树脂	Natural
阻燃性	94V-2
性别	Receptacle

符合灼热丝规范	否
材料 - 树脂	Nylon
净重	2.397/g
行数	1
包装形式	Bag
面板安装式	是
间距 - 插配接口	5.03mm
间距 - 终端界面	5.03mm
可堆叠的	否
运行温度范围	-40° to +105° C

进程

无铅	不适用
----	-----

可配插/可连接使用的产品

可配插部件

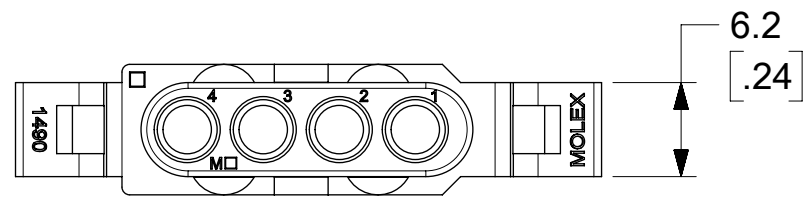
描述	产品编号
2.36mm Diameter Standard .093" Pin and Socket Plug Housing, 4 Circuits, Single Row	<u>0003092041</u>
Standard .093" Pin and Socket Vertical Headers	<u>3099</u>

可连接使用部件

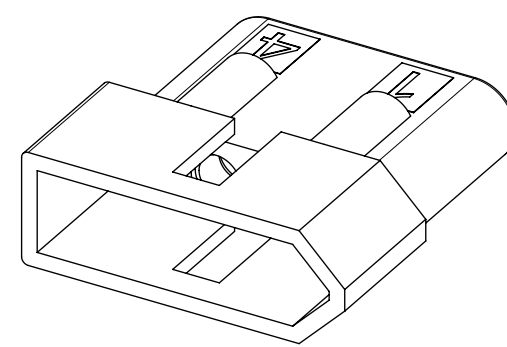
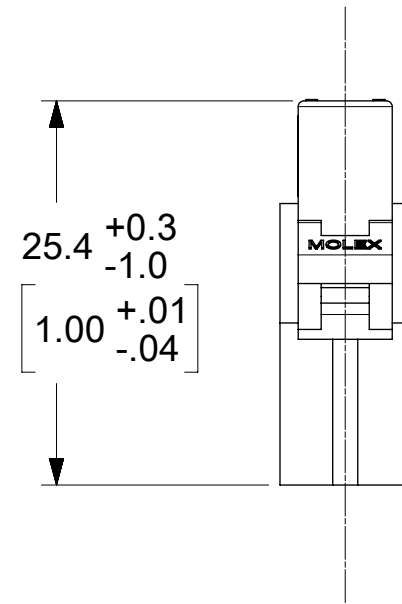
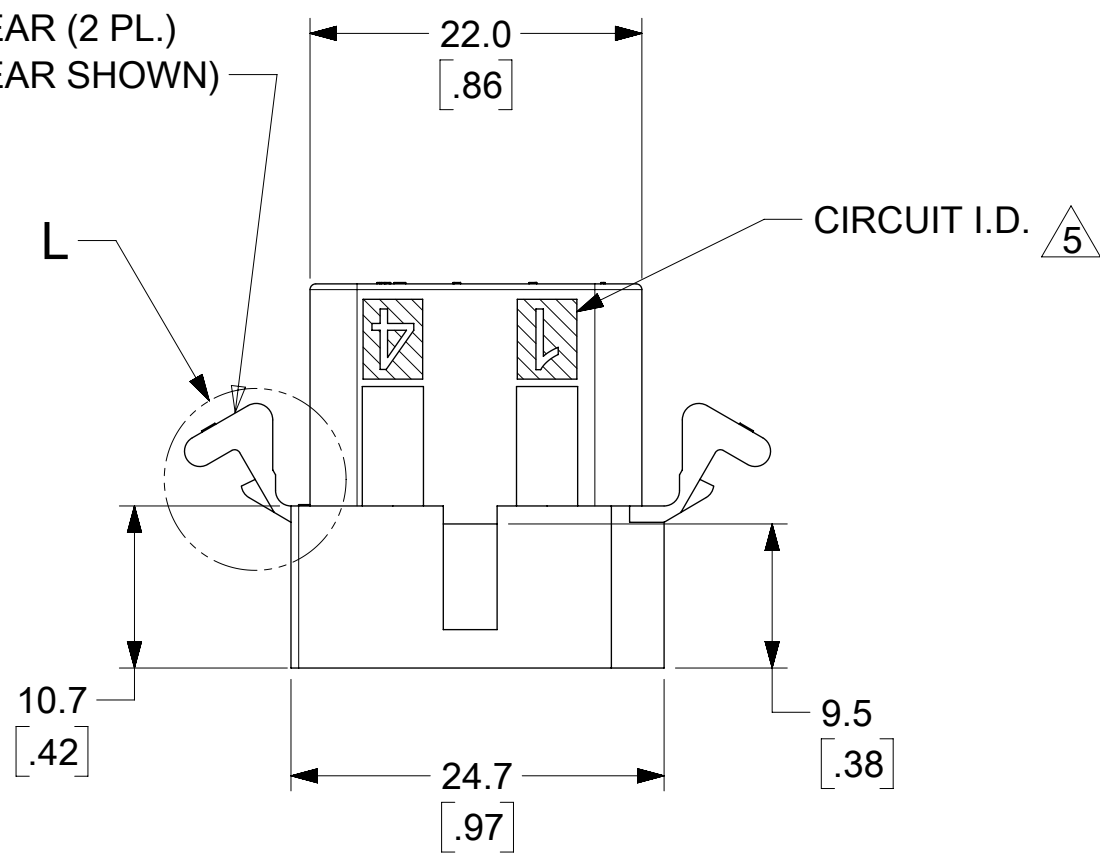
描述	产品编号
Standard .093" Pin and Socket Female Crimp Terminals	<u>1189</u>
Standard .093" Pin and Socket Male Crimp Terminals	<u>1190</u>
Standard .093" Pin and Socket Male Crimp Terminals	<u>1380</u>
Standard .093" Pin and Socket Female Crimp Terminals	<u>1381</u>
Standard .093" Pin and Socket Male Crimp Terminal	<u>1434</u>
Standard .093" Pin and Socket Male Crimp Grounding Terminals	<u>1973</u>

This document was generated on Feb 27, 2024

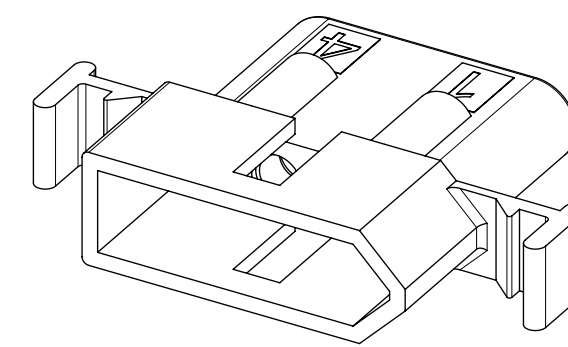
PLUG



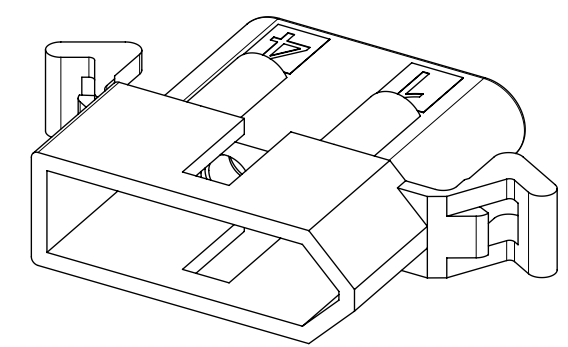
OPTIONAL MOUNTING EAR (2 PL.)
(PREBENT MOUNTING EAR SHOWN)
SEE DETAIL K OR L



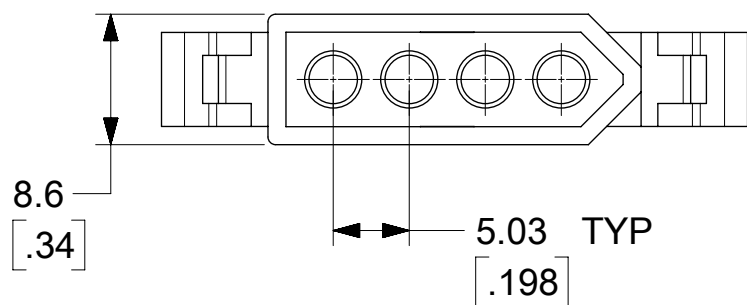
PLUG HOUSING WITHOUT EARS




PLUG HOUSING WITH STANDARD EARS

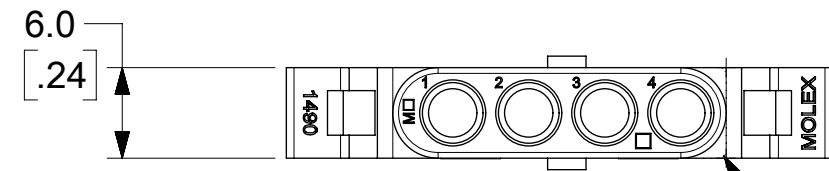


PLUG HOUSING WITH PREBENT EARS



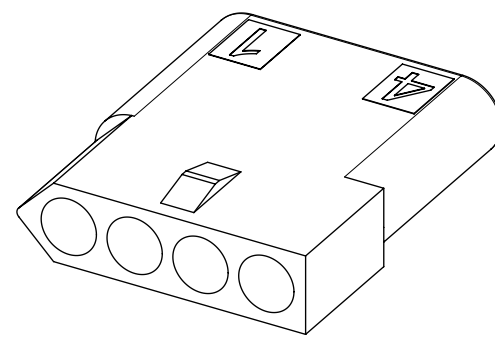
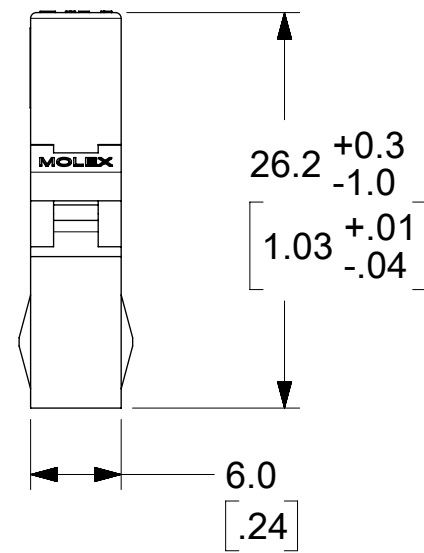
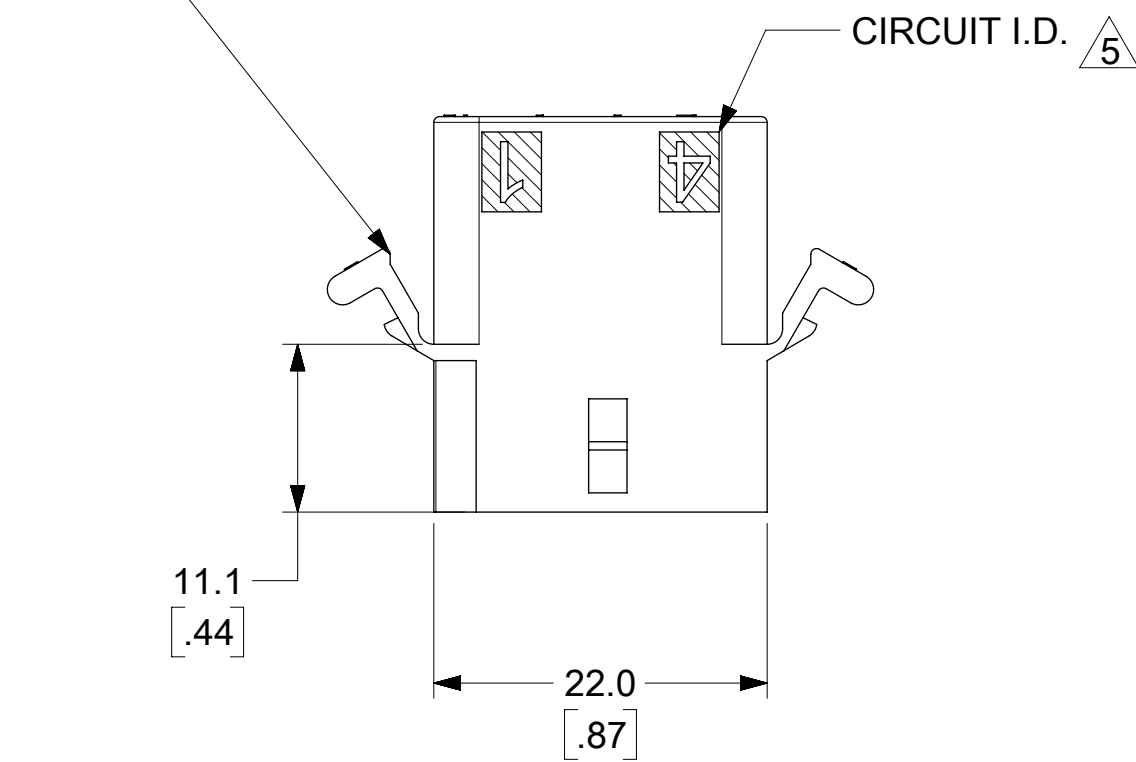
SYMBOLS	THIS DRAWING CONTAINS INFORMATION THAT IS PROPRIETARY TO MOLEX ELECTRONIC TECHNOLOGIES, LLC AND SHOULD NOT BE USED WITHOUT WRITTEN PERMISSION													
	DIMENSION UNITS		SCALE		CURRENT REV DESC: ADD CAVITY ID									
∇ = 0	MM/IN		2:1		EC NO: 173421 DRWN: MKIPPER 2018/03/07 CHK'D: JBELL 2018/03/12 APPR: FSMITH 2018/03/16					 .093/(2.36) HOUSINGS PLUG AND RECEPTACLE				
∇ = 0	GENERAL TOLERANCES (UNLESS SPECIFIED)													
∇ = 0	4 PLACES ±		±		INITIAL REVISION: DRWN: CSLAFTER 2017/01/17 APPR: FSMITH 2017/01/29					DOCUMENT NUMBER		DOC TYPE	DOC PART	REVISION
∇ = 0	3 PLACES ±		± 0.01							14900000-SD		PSD	000	A1
∇ = 0	2 PLACES ±		± 0.25 ± 0.014		MATERIAL NUMBER		CUSTOMER		SHEET NUMBER					
∇ = 0	1 PLACE ±		± 0.35 ±		SEE CHART		GENERAL MARKET		1 OF 3					
∇ = 0	0 PLACES ±		±		DRAFT WHERE APPLICABLE MUST REMAIN WITHIN DIMENSIONS		THIRD ANGLE PROJECTION		DRAWING SERIES					
∇ = 0	ANGULAR TOL ± 0.5°		C-SIZE		1490									

RECEPTACLE

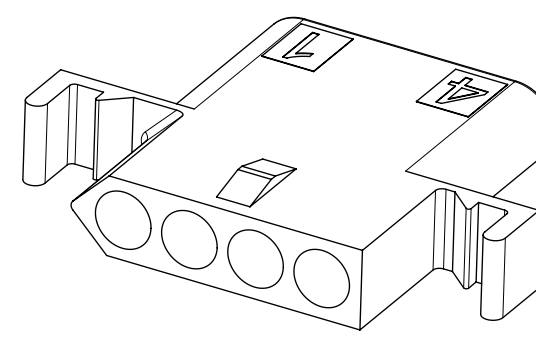


HOUSING MAY HAVE FULL RADIUS OR RADIUSED CORNERS.

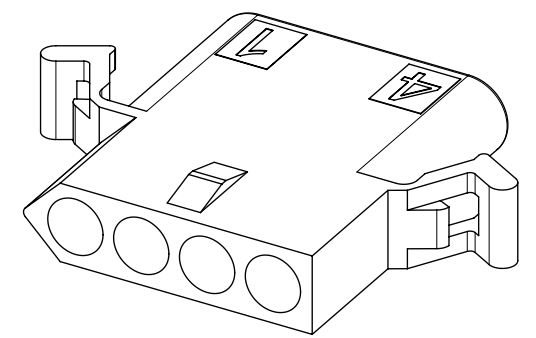
OPTIONAL MOUNTING EAR (2 PL.)
(PREBENT MOUNTING EAR SHOWN)
SEE DETAIL K OR L



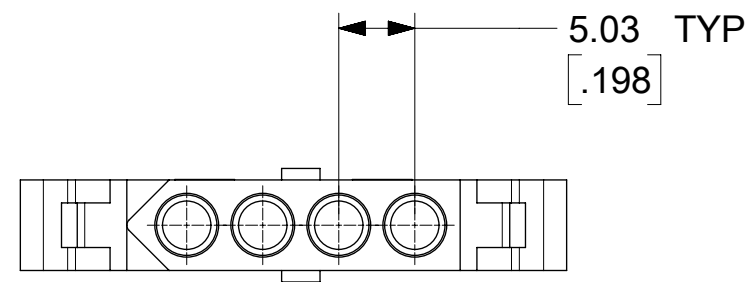
RECEPTACLE HOUSING WITHOUT EARS



RECEPTACLE HOUSING WITH STANDARD EARS



RECEPTACLE HOUSING WITH PREBENT EARS



SYMBOLS △ = 0 ▽ = 0 ▽ = 0 S = 0 ▽ = 0 ▽ = 0 ⊠ = 0 ■ = 0 ▽ = 0	THIS DRAWING CONTAINS INFORMATION THAT IS PROPRIETARY TO MOLEX ELECTRONIC TECHNOLOGIES, LLC AND SHOULD NOT BE USED WITHOUT WRITTEN PERMISSION											
	DIMENSION UNITS		SCALE		CURRENT REV DESC: ADD CAVITY ID							
	MM/IN		2:1									
	GENERAL TOLERANCES (UNLESS SPECIFIED)				EC NO: 173421		2018/03/07		.093/(2.36) HOUSINGS PLUG AND RECEPTACLE PRODUCT CUSTOMER DRAWING			
4 PLACES ±		±		DRWN: MKIPPER		2018/03/12						
3 PLACES ±		± 0.01		CHK'D: JBELL		2018/03/16		DOCUMENT NUMBER		DOC TYPE	DOC PART	REVISION
2 PLACES ±		± 0.25 ± 0.014		APPR: FSMITH		2018/03/16		14900000-SD		PSD	000	A1
1 PLACE ±		± 0.35 ±		INITIAL REVISION:				MATERIAL NUMBER		CUSTOMER		SHEET NUMBER
0 PLACES ±		±		DRWN: CSLAFTER		2017/01/17		SEE CHART		GENERAL MARKET		2 OF 3
ANGULAR TOL ± 0.5 °				APPR: FSMITH		2017/01/29		DRAWING		SERIES		
DRAFT WHERE APPLICABLE MUST REMAIN WITHIN DIMENSIONS				THIRD ANGLE PROJECTION		C-SIZE		1490				

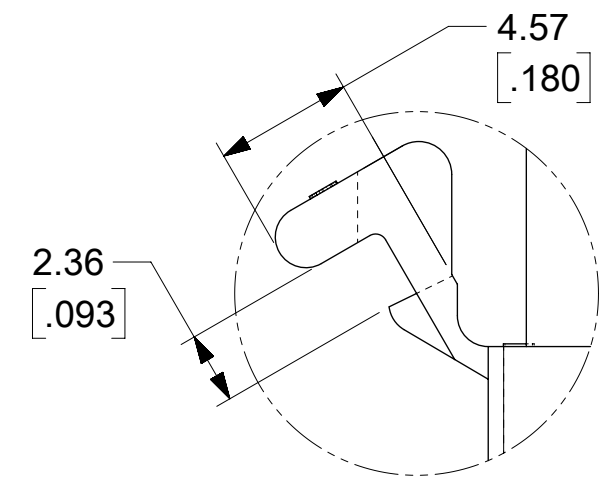
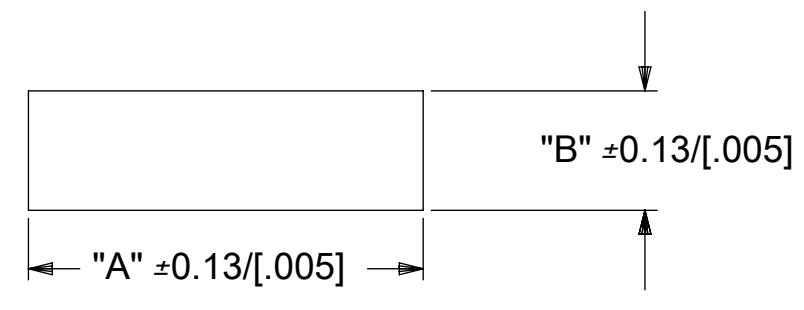
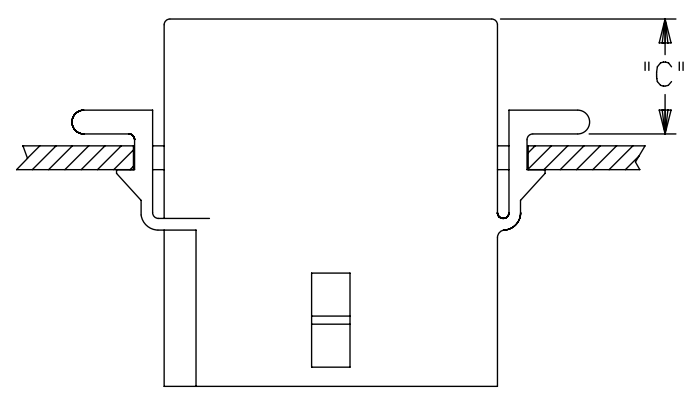
PLUG		RECEPTACLE	
PART NO.	ENG. NO.	PART NO.	ENG. NO.
03-09-2041	1490-P	03-09-1041	1490-R
03-09-2042	1490-P1	03-09-1042	1490-R1
46999-0811	1490-P2	03-09-1043	1490-R2

LEGEND

1490 - ***
P = PLUG
R = RECEPTACLE

BLANK = WITH STANDARD EARS
1 = WITHOUT EARS
2 = WITH PREBENT EARS, PER DETAIL L

COLOR: BLANK = NATURAL COLOR
AM = AMBER BK = BLACK BU = BLUE
BN = BROWN GY = GRAY GN = GREEN
OR = ORANGE RD = RED YW = YELLOW

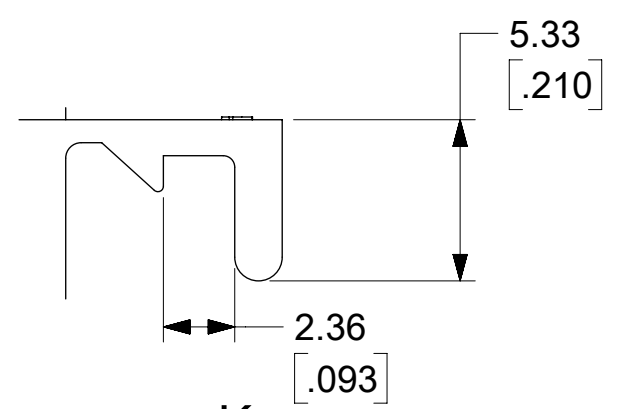
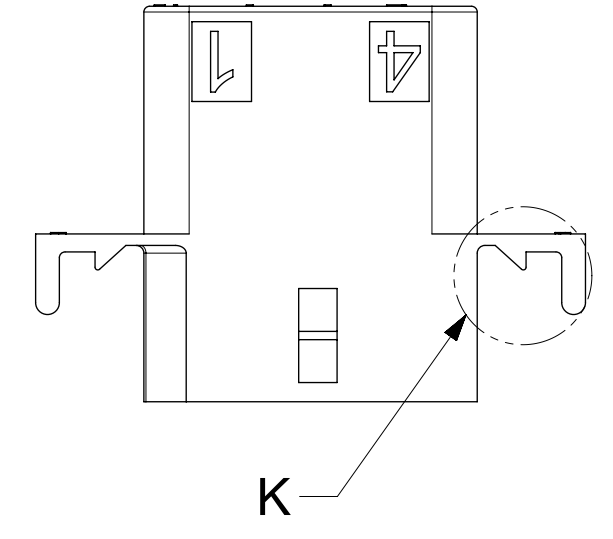


DETAIL L
SCALE 4:1
2.36/[.093] PREBENT MOUNTING EAR

HOUSING	DIMENSION "A"	DIMENSION "B"	DIMENSION "C"
PLUG	28.73/[1.131]	9.52/[.375]	9.1/[.36]
RECEPTACLE	26.36/[1.038]	7.92/[.312]	9.4/[.37]

NOTES:

- MATERIAL: NYLON 6/6 94V-2, COLOR: SEE LEGEND
- FINISH: NOT APPLICABLE
- PRODUCT SPECIFICATION: PS-43660-9999
- PACKAGING SPECIFICATION: PK-1490-001
- ETCHED CIRCUIT I.D. NUMBERS ON HOUSING SIDE MAY OR MAY NOT BE PRESENT.
- PARTS CONFORM TO CLASS B REQUIREMENTS OF COSMETIC SPECIFICATION PS-45499-002.
- TEXT ON PART IS FOR REFERENCE ONLY. TEXT AND TEXT LOCATION MAY VARY DEPENDING ON PART NUMBER AND/OR TOOLING.
- THIS DRAWING REPLACES SD-1490-*



DETAIL K
SCALE 4:1
2.36/(.093) STANDARD MOUNTING EAR

SYMBOLS	THIS DRAWING CONTAINS INFORMATION THAT IS PROPRIETARY TO MOLEX ELECTRONIC TECHNOLOGIES, LLC AND SHOULD NOT BE USED WITHOUT WRITTEN PERMISSION			
	DIMENSION UNITS	SCALE	CURRENT REV DESC: ADD CAVITY ID	
▽ = 0	MM/IN	2:1		
▽ = 0	GENERAL TOLERANCES (UNLESS SPECIFIED)			
▽ = 0		MM	INCH	
▽ = 0	4 PLACES	±	±	
▽ = 0	3 PLACES	±	± 0.01	
▽ = 0	2 PLACES	± 0.25	± 0.014	
▽ = 0	1 PLACE	± 0.35	±	
▽ = 0	0 PLACES	±	±	
▽ = 0	ANGULAR TOL	± 0.5 °		
▽ = 0	DRAFT WHERE APPLICABLE MUST REMAIN WITHIN DIMENSIONS	THIRD ANGLE PROJECTION		
▽ = 0		DRAWING	SERIES	
		C-SIZE	1490	
		EC NO: 173421		
		DRWN: MKIPPER	2018/03/07	
		CHK'D: JBELL	2018/03/12	
		APPR: FSMITH	2018/03/16	
		INITIAL REVISION:		
		DRWN: CSLAFTER	2017/01/17	
		APPR: FSMITH	2017/01/29	
DOCUMENT STATUS		DOC TYPE	DOC PART	REVISION
P1	RELEASE DATE	14900000-SD	PSD	000 A1
12	2018/03/16 16:02:49	SEE CHART	GENERAL MARKET	3 OF 3