



产品编号 : 03091042

系列号 : 1490

Product Category : Connector Housings

Product Description : 2.36mm Diameter Standard .093" Pin and Socket Receptacle Housing, 4 Circuits, Single Row, Natural

状态 : Active

工程编号 : 1490-R1

文件和资源

图纸

图纸 003091042_sd.pdf

包装设计图 PK-1490-001-001.pdf

3D 模型和设计文件

3D模型 003091042_stp.zip


规格

产品规格 PS-02-09-001.pdf

产品规格 PS-43660-9999-001.pdf

产物环境合规

合规

GADSL/IMDS	Not Relevant
China RoHS	
EU ELV	Not Relevant
Low-Halogen Status	Low-Halogen per IEC 61249-2-21
REACH SVHC	Not Contained per D(2023)8585-DC (23 Jan 2024)
EU RoHS	Compliant per EU 2015/863

多部分产品合规性声明

- Eu RoHS
- REACH SVHC
- Low-Halogen

- IPC 1752A Class C
- IPC 1752A Class D
- Molex Product Compliance Declaration
- IEC-62474

产品详情

常规

状态	活动
类别	Connector Housings
系列	1490
说明	2.36mm Diameter Standard .093" Pin and Socket Receptacle Housing, 4 Circuits, Single Row, Natural
应用	Power, Wire-to-Wire
个评论	14.0A max. can be achieved when housing is used with 42477 or 42478 terminals
产品系列	Standard .093" Pin and Socket Connectors
产品名称	Standard .093"
UPC	800753615090

机构

CSA	LR19980
UL	E29179

物理

电路详图	(1 x 4)
电路数 (最多)	4
颜色-树脂	Natural
阻燃性	94V-2
性别	Receptacle
符合灼热丝规范	否
材料 - 树脂	Nylon
净重	2.179/g
行数	1
包装形式	Bag
面板安装式	否

间距 - 插配接口	5.03mm
间距 - 终端界面	5.03mm
可堆叠的	否
运行温度范围	-40° to +105° C

进程

无铅	不适用
----	-----

可配插/可连接使用的产品

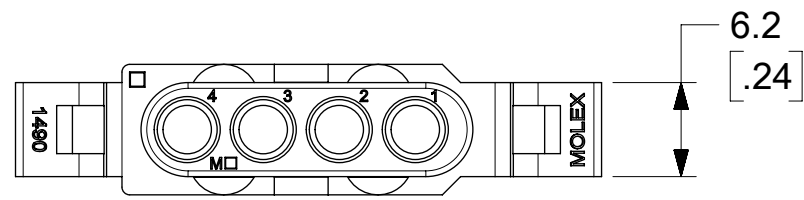
可配插部件

描述	产品编号
2.36mm Diameter Standard .093" Pin and Socket Plug Housing, 4 Circuits, Single Row	<u>03092041</u>
2.36mm Diameter Standard .093" Pin and Socket Plug Housing, 4 Circuits, Single Row	<u>03092042</u>
Standard .093" Pin and Socket Vertical Headers	<u>3099</u>

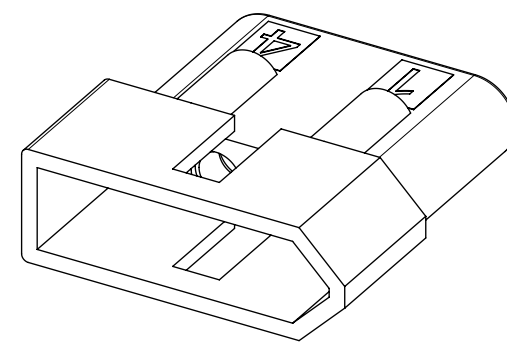
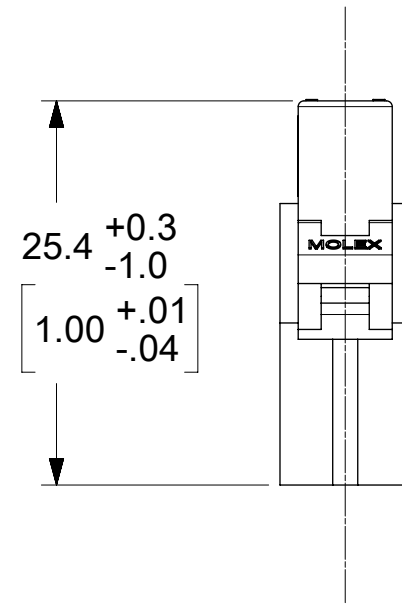
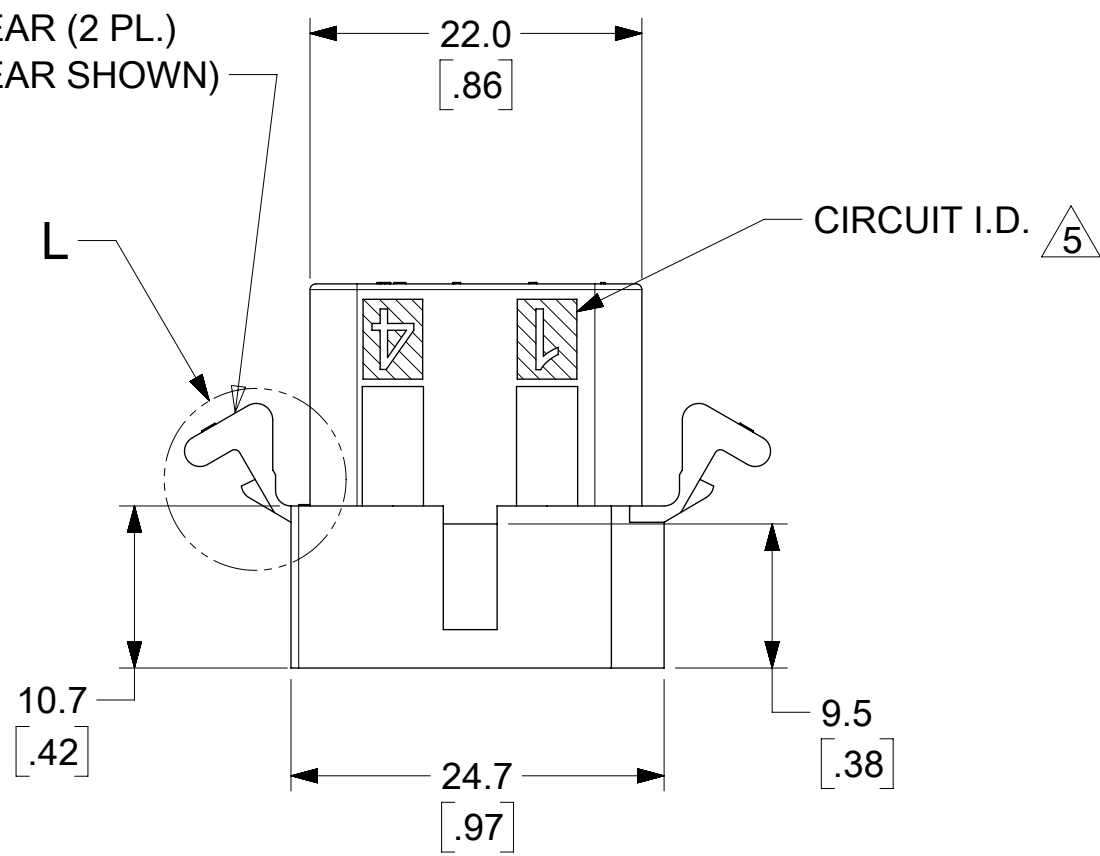
可连接使用部件

描述	产品编号
Standard .093" Pin and Socket Female Crimp Terminals	<u>1189</u>
Standard .093" Pin and Socket Male Crimp Terminals	<u>1190</u>
Standard .093" Pin and Socket Male Crimp Terminals	<u>1380</u>
Standard .093" Pin and Socket Female Crimp Terminals	<u>1381</u>
Standard .093" Pin and Socket Male Crimp Terminal	<u>1434</u>
Standard .093" Pin and Socket Male Crimp Grounding Terminals	<u>1973</u>

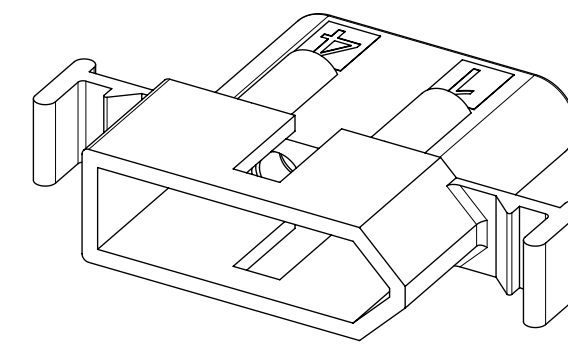
PLUG



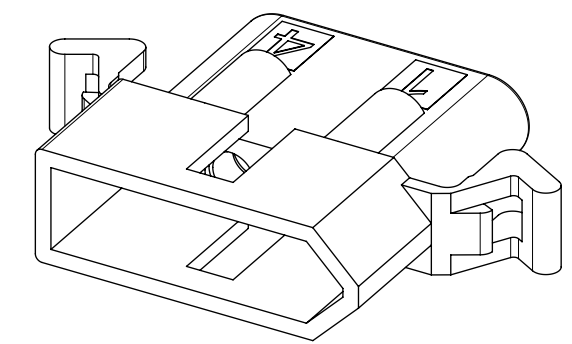
OPTIONAL MOUNTING EAR (2 PL.)
(PREBENT MOUNTING EAR SHOWN)
SEE DETAIL K OR L



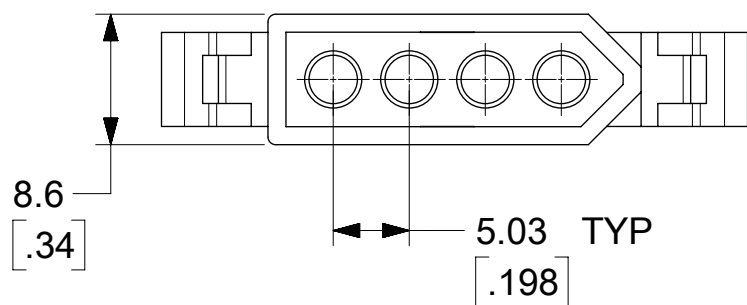
PLUG HOUSING WITHOUT EARS



PLUG HOUSING WITH STANDARD EARS



PLUG HOUSING WITH PREBENT EARS



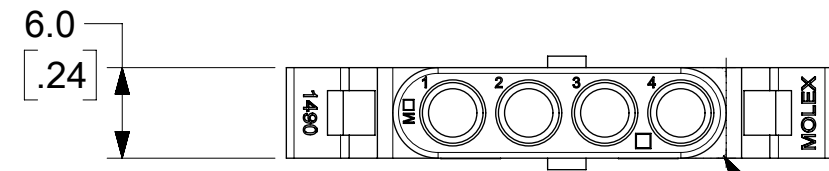
SYMBOLS	THIS DRAWING CONTAINS INFORMATION THAT IS PROPRIETARY TO MOLEX ELECTRONIC TECHNOLOGIES, LLC AND SHOULD NOT BE USED WITHOUT WRITTEN PERMISSION									
	DIMENSION UNITS		SCALE		CURRENT REV DESC: ADD CAVITY ID					
∇ = 0	MM/IN		2:1		EC NO: 173421 DRWN: MKIPPER 2018/03/07 CHK'D: JBELL 2018/03/12 APPR: FSMITH 2018/03/16					
∇ = 0	GENERAL TOLERANCES (UNLESS SPECIFIED)									
∇ = 0			MM	INCH	INITIAL REVISION: DRWN: CSLAFTER 2017/01/17 APPR: FSMITH 2017/01/29					
S = 0	4 PLACES	±								
∇ = 0	3 PLACES	±		± 0.01	DOCUMENT NUMBER: 14900000-SD DOC TYPE: PSD DOC PART: 000 REVISION: A1					
∇ = 0	2 PLACES	±	0.25	± 0.014						
∇ = 0	1 PLACE	±	0.35	±	MATERIAL NUMBER: SEE CHART CUSTOMER: GENERAL MARKET SHEET NUMBER: 1 OF 3					
∇ = 0	0 PLACES	±		±						
∇ = 0	ANGULAR TOL ± 0.5°		THIRD ANGLE PROJECTION		DRAWING	SERIES				
∇ = 0	DRAFT WHERE APPLICABLE MUST REMAIN WITHIN DIMENSIONS				C-SIZE	1490				

molex

.093/(2.36) HOUSINGS PLUG AND RECEPTACLE

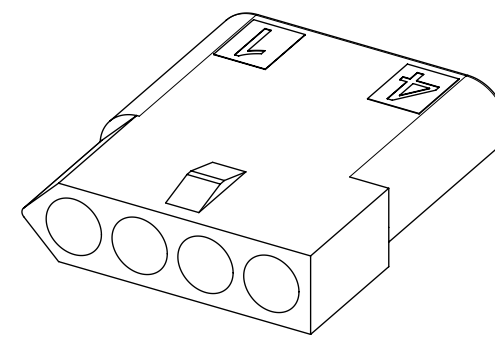
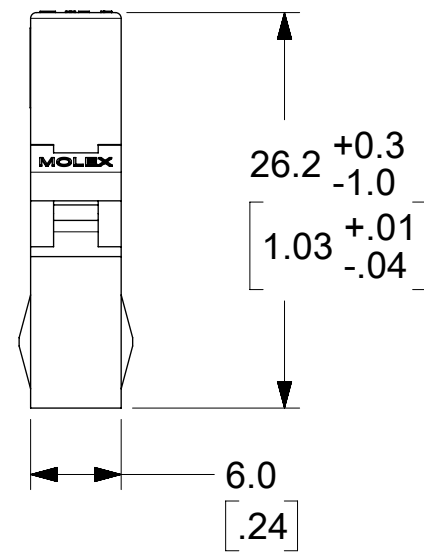
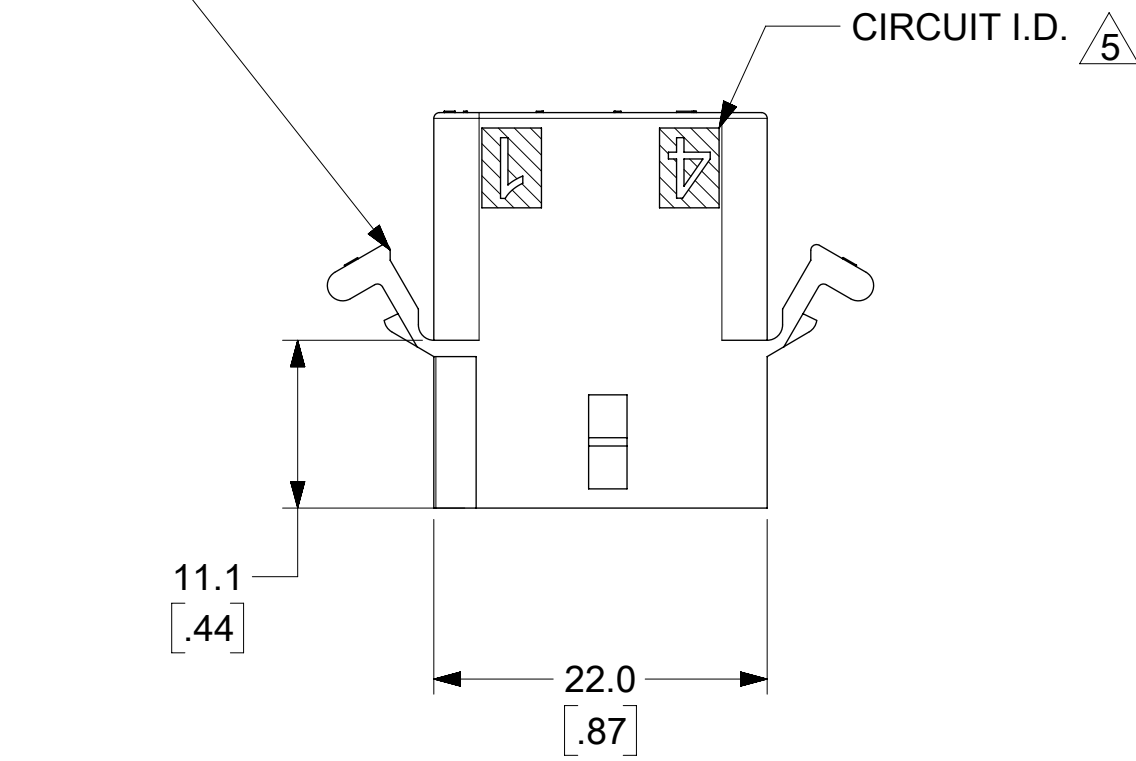
PRODUCT CUSTOMER DRAWING

RECEPTACLE

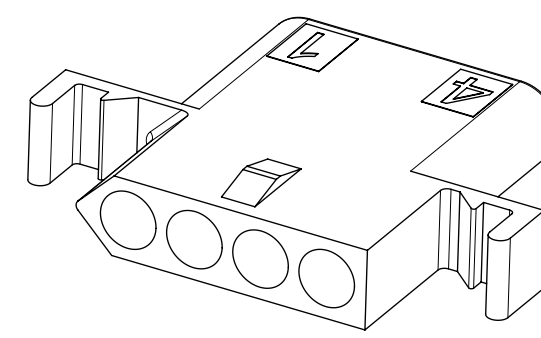


HOUSING MAY HAVE FULL RADIUS OR RADIUSED CORNERS.

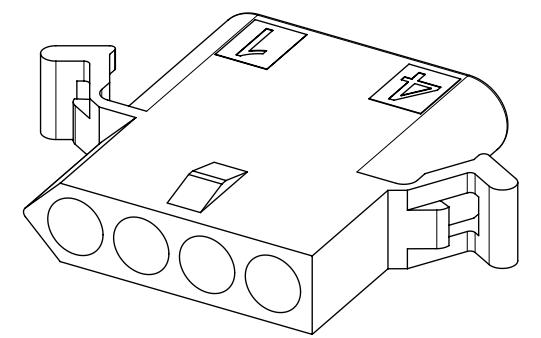
OPTIONAL MOUNTING EAR (2 PL.)
(PREBENT MOUNTING EAR SHOWN)
SEE DETAIL K OR L



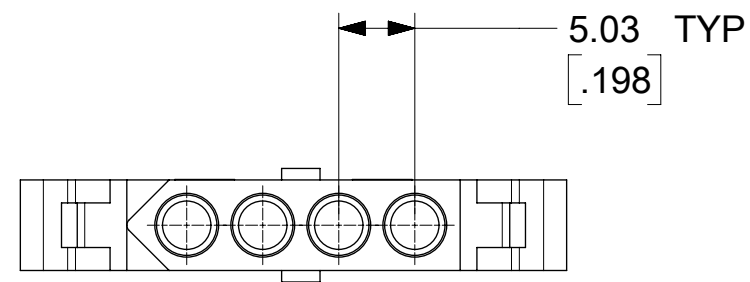
RECEPTACLE HOUSING WITHOUT EARS



RECEPTACLE HOUSING WITH STANDARD EARS



RECEPTACLE HOUSING WITH PREBENT EARS



SYMBOLS	THIS DRAWING CONTAINS INFORMATION THAT IS PROPRIETARY TO MOLEX ELECTRONIC TECHNOLOGIES, LLC AND SHOULD NOT BE USED WITHOUT WRITTEN PERMISSION										
	DIMENSION UNITS		SCALE		CURRENT REV DESC: ADD CAVITY ID						
∇ = 0	MM/IN	2:1		GENERAL TOLERANCES (UNLESS SPECIFIED)		EC NO: 173421				.093/(2.36) HOUSINGS PLUG AND RECEPTACLE	
∇ = 0						4 PLACES ±		DRWN: MKIPPER		2018/03/07	
∇ = 0						3 PLACES ±		CHK'D: JBELL		2018/03/12	
∇ = 0						2 PLACES ± 0.25 ± 0.014		APPR: FSMITH		2018/03/16	
∇ = 0						1 PLACE ± 0.35 ±		INITIAL REVISION:		PRODUCT CUSTOMER DRAWING	
∇ = 0						0 PLACES ±		DRWN: CSLAFTER		DOCUMENT NUMBER	
∇ = 0						ANGULAR TOL ± 0.5 °		APPR: FSMITH		14900000-SD	
∇ = 0						DRAFT WHERE APPLICABLE MUST REMAIN WITHIN DIMENSIONS		THIRD ANGLE PROJECTION		DOC TYPE DOC PART REVISION	
∇ = 0								DRAWING SERIES		PSD 000 A1	
∇ = 0								C-SIZE 1490		MATERIAL NUMBER CUSTOMER SHEET NUMBER	
∇ = 0								SEE CHART GENERAL MARKET		2 OF 3	

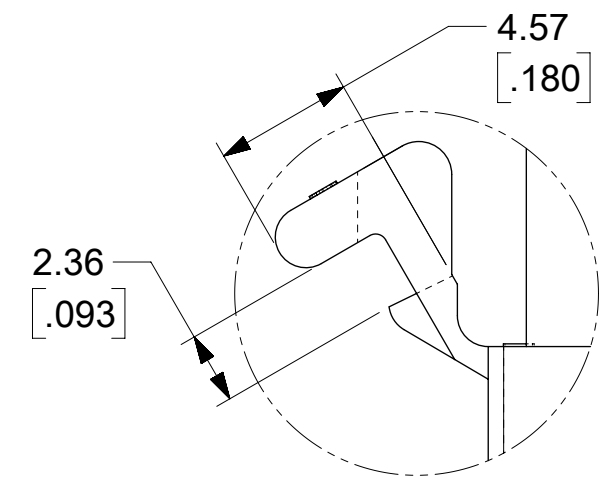
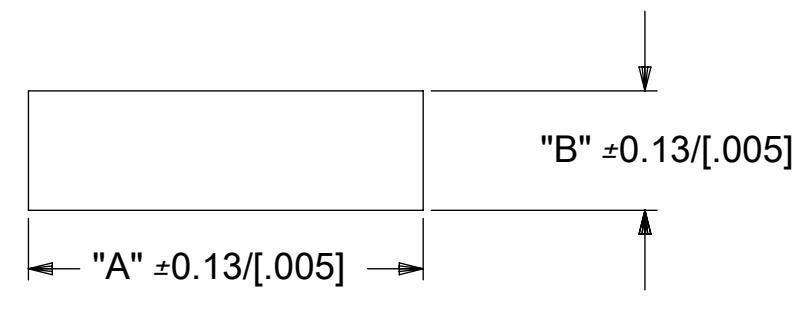
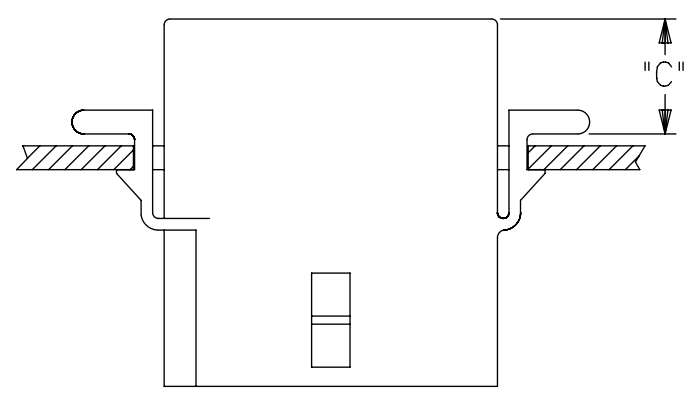
PLUG		RECEPTACLE	
PART NO.	ENG. NO.	PART NO.	ENG. NO.
03-09-2041	1490-P	03-09-1041	1490-R
03-09-2042	1490-P1	03-09-1042	1490-R1
46999-0811	1490-P2	03-09-1043	1490-R2

LEGEND

1490 - ***
P = PLUG
R = RECEPTACLE

BLANK = WITH STANDARD EARS
1 = WITHOUT EARS
2 = WITH PREBENT EARS, PER DETAIL L

COLOR: BLANK = NATURAL COLOR
AM = AMBER BK = BLACK BU = BLUE
BN = BROWN GY = GRAY GN = GREEN
OR = ORANGE RD = RED YW = YELLOW

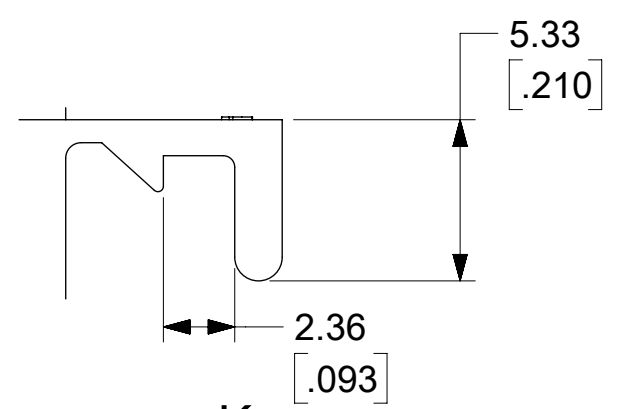
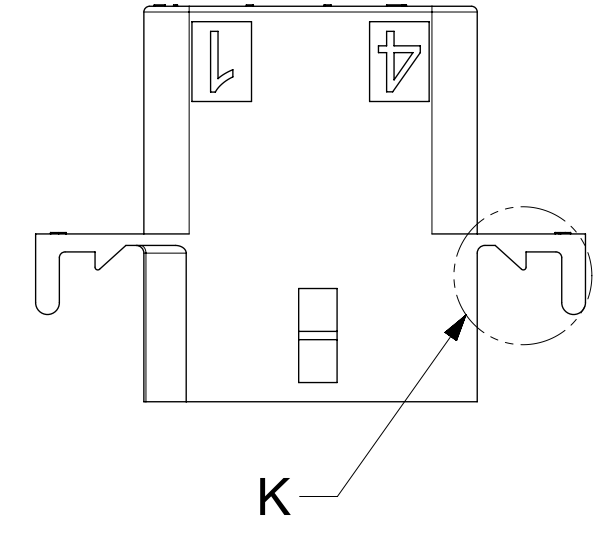


DETAIL L
SCALE 4:1
2.36/[.093] PREBENT MOUNTING EAR

HOUSING	DIMENSION "A"	DIMENSION "B"	DIMENSION "C"
PLUG	28.73/[1.131]	9.52/[.375]	9.1/[.36]
RECEPTACLE	26.36/[1.038]	7.92/[.312]	9.4/[.37]

NOTES:

- MATERIAL: NYLON 6/6 94V-2, COLOR: SEE LEGEND
- FINISH: NOT APPLICABLE
- PRODUCT SPECIFICATION: PS-43660-9999
- PACKAGING SPECIFICATION: PK-1490-001
- ETCHED CIRCUIT I.D. NUMBERS ON HOUSING SIDE MAY OR MAY NOT BE PRESENT.
- PARTS CONFORM TO CLASS B REQUIREMENTS OF COSMETIC SPECIFICATION PS-45499-002.
- TEXT ON PART IS FOR REFERENCE ONLY. TEXT AND TEXT LOCATION MAY VARY DEPENDING ON PART NUMBER AND/OR TOOLING.
- THIS DRAWING REPLACES SD-1490-*



DETAIL K
SCALE 4:1
2.36/(.093) STANDARD MOUNTING EAR

SYMBOLS	THIS DRAWING CONTAINS INFORMATION THAT IS PROPRIETARY TO MOLEX ELECTRONIC TECHNOLOGIES, LLC AND SHOULD NOT BE USED WITHOUT WRITTEN PERMISSION										
	DIMENSION UNITS		SCALE		CURRENT REV DESC: ADD CAVITY ID						
▽ = 0	MM/IN		2:1		molex .093/(2.36) HOUSINGS PLUG AND RECEPTACLE PRODUCT CUSTOMER DRAWING						
▽ = 0	GENERAL TOLERANCES (UNLESS SPECIFIED)										
▽ = 0			MM	INCH	EC NO: 173421		2018/03/07		DOC TYPE DOC PART REVISION		
▽ = 0	4 PLACES ±		±	±	DRWN: MKIPPER		2018/03/12		14900000-SD		
▽ = 0	3 PLACES ±		±	± 0.01	CHK'D: JBELL		2018/03/16		PSD 000 A1		
▽ = 0	2 PLACES ±		± 0.25	± 0.014	APPR: FSMITH		INITIAL REVISION:		DOCUMENT NUMBER		
▽ = 0	1 PLACE ±		± 0.35	±	DRWN: CSLAFTER		2017/01/17		MATERIAL NUMBER		
▽ = 0	0 PLACES ±		±	±	APPR: FSMITH		2017/01/29		CUSTOMER		
▽ = 0	ANGULAR TOL ± 0.5°		THIRD ANGLE PROJECTION			DRAWING		SERIES		SHEET NUMBER	
▽ = 0	DRAFT WHERE APPLICABLE MUST REMAIN WITHIN DIMENSIONS		C-SIZE		1490		SEE CHART		GENERAL MARKET		
▽ = 0	DRAFT WHERE APPLICABLE MUST REMAIN WITHIN DIMENSIONS		C-SIZE		1490		SEE CHART		GENERAL MARKET		