



产品编号 : 03091121

Product Description : 2.36mm Diameter Standard .093" Pin and Socket Receptacle Housing, 12 Circuits, 3 Rows, Panel Mountable, without Passive Locking Ramps

系列号 : 1360

状态 : Active

Product Category : Connector Housings

工程编号 : 1360-R



文件和资源

图纸

图纸 003091121_sd.pdf

3D 模型和设计文件

3D模型 003091121_stp.zip

规格

包装规格 PK-1360-001-001.pdf


产品规格 PS-02-09-001.pdf

产品规格 PS-42477-001.pdf

产品规格 PS-43660-9999-001.pdf

产物环境合规

合规

GADSL/IMDS	Not Relevant
China RoHS	
EU ELV	Not Relevant
Low-Halogen Status	Low-Halogen per IEC 61249-2-21
REACH SVHC	Not Contained per D(2023)8585-DC (23 Jan 2024)
EU RoHS	Compliant per EU 2015/863

多部分产品合规性声明

- Eu RoHS

- REACH SVHC

- Low-Halogen

多部分行业合规性文件

- IPC 1752A Class C

- IPC 1752A Class D

- Molex Product Compliance Declaration

- IEC-62474

- chemSHERPA (xml)

欧盟 RoHS 合格证书

产品详情

常规

状态	活动
类别	Connector Housings
系列	1360
说明	2.36mm Diameter Standard .093" Pin and Socket Receptacle Housing, 12 Circuits, 3 Rows, Panel Mountable, without Passive Locking Ramps
应用	Power, Wire-to-Wire
个评论	12.5A max. can be achieved when housing is used with 42477 or 42478 terminals
产品系列	Standard .093" Pin and Socket Connectors
产品名称	Standard .093"
UPC	800753614727

机构

CSA	LR19980
UL	E29179

物理

电路数（最多）	12
颜色-树脂	Natural
阻燃性	94V-2
性别	Receptacle

符合灼热丝规范	否
锁定插接部位	无
材料 - 树脂	Nylon
净重	5.797/g
行数	3
包装形式	Bag
面板安装式	是
间距 - 插配接口	5.03mm
间距 - 终端界面	5.03mm
可堆叠的	否
运行温度范围	-40° to +105° C

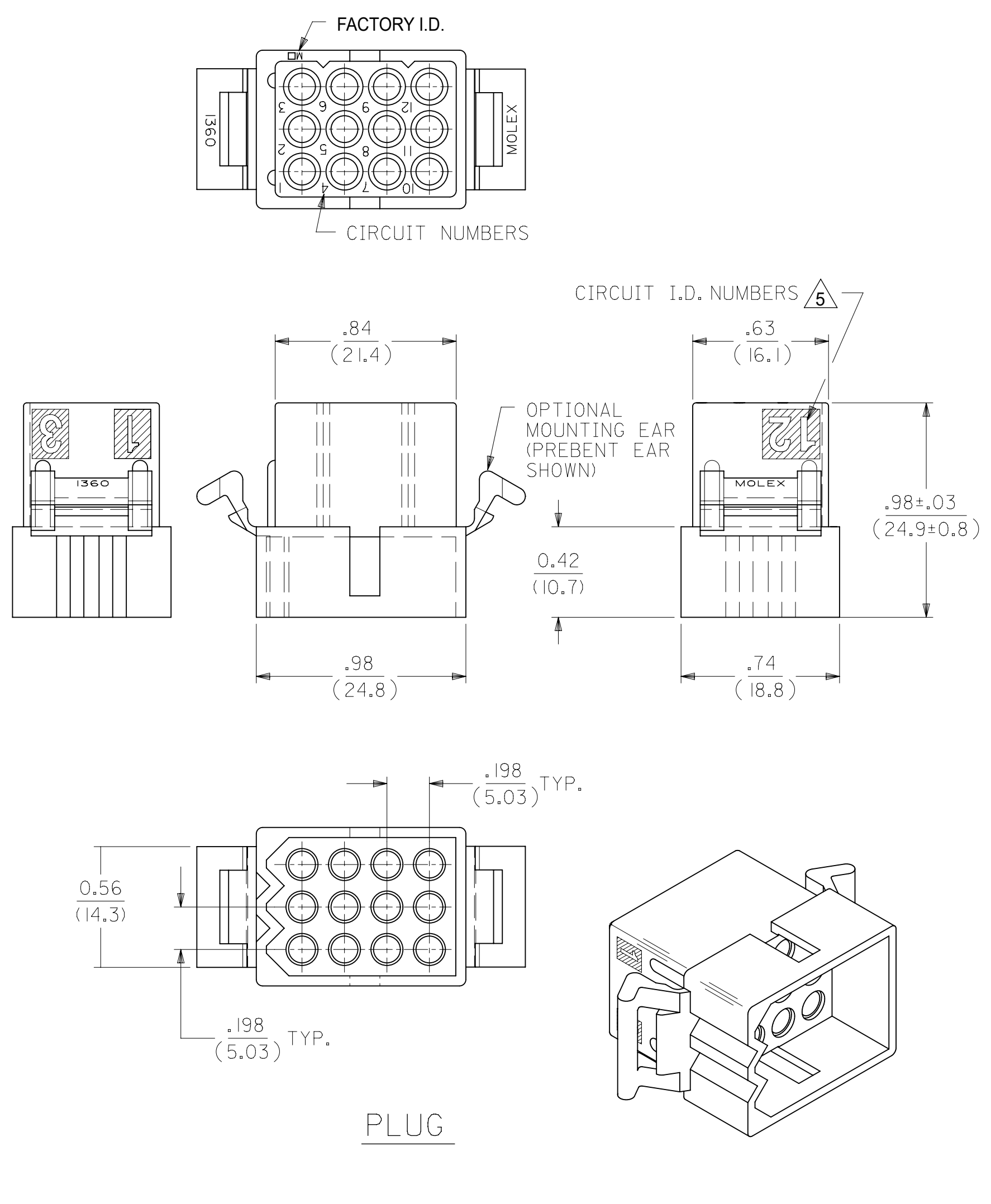
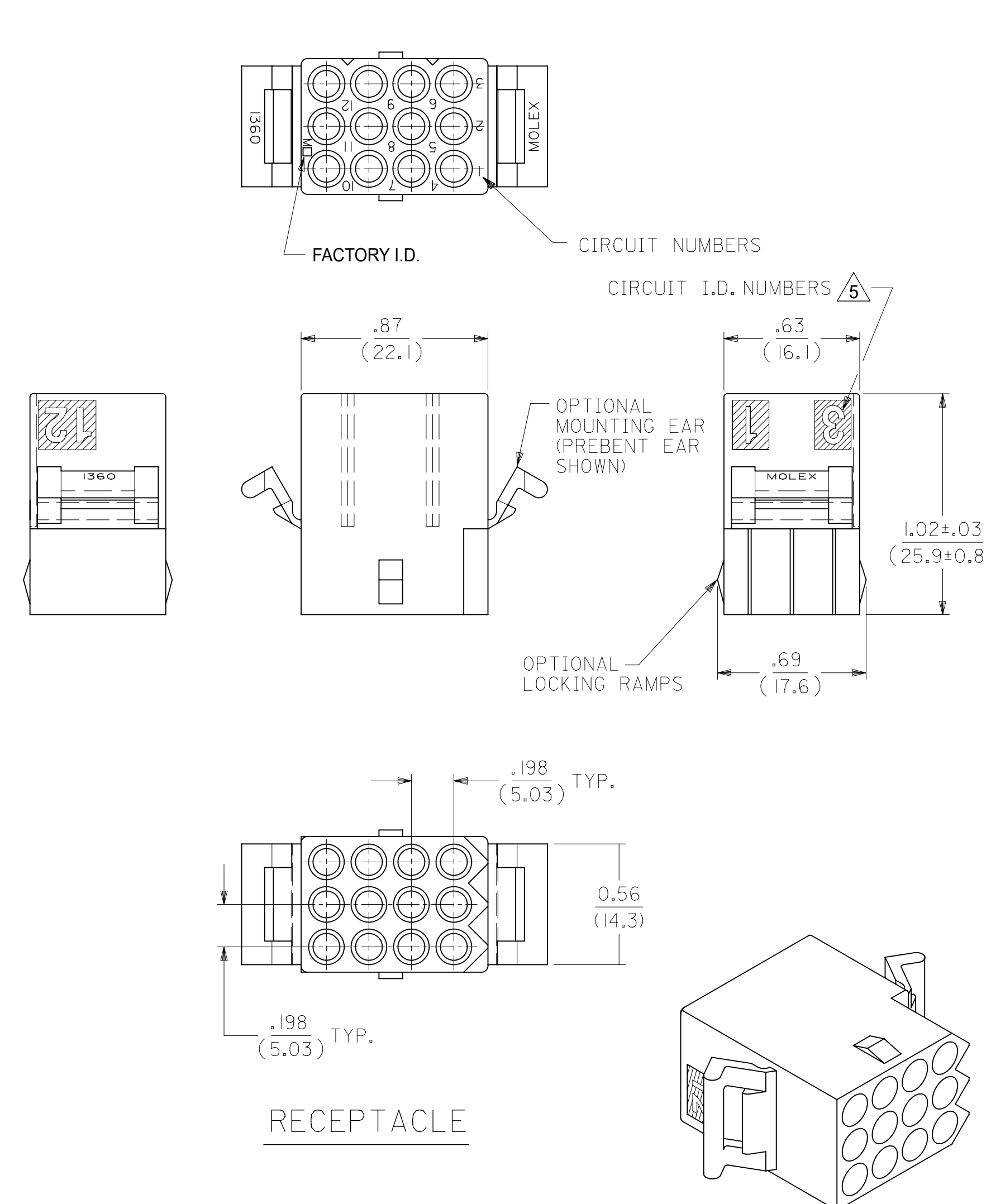
可配插/可连接使用的产品

可配插部件

描述	产品编号
2.36mm Diameter Standard .093" Pin and Socket Plug Housing, 12 Circuits, 3 Rows	<u>03092121</u>
Standard .093" Pin and Socket Vertical Headers	<u>3099</u>

可连接使用部件

描述	产品编号
Standard .093" Pin and Socket Female Crimp Terminals	<u>1189</u>
Standard .093" Pin and Socket Male Crimp Terminals	<u>1190</u>
Standard .093" Pin and Socket Male Crimp Terminals	<u>1380</u>
Standard .093" Pin and Socket Female Crimp Terminals	<u>1381</u>
Standard .093" Pin and Socket Male Crimp Terminal	<u>1434</u>
Standard .093" Pin and Socket Male Crimp Grounding Terminals	<u>1973</u>



THIS DRAWING CONTAINS INFORMATION THAT IS PROPRIETARY TO MOLEX ELECTRONIC TECHNOLOGIES, LLC AND SHOULD NOT BE USED WITHOUT WRITTEN PERMISSION									
DIMENSION UNITS		SCALE		CURRENT REV DESC: REMOVED OBSOLETE PARTS AS PER PCN 511086					
IN/MM		2:1		<p>molex</p> <p>.093/(2.36) HOUSINGS PLUG AND RECEPTACLE 12 CKT, .198/(5.03)CTR.</p> <p>PRODUCT CUSTOMER DRAWING</p> <p>DOCUMENT NUMBER: SD-1360-X DOC TYPE: PSD DOC PART: 001 REVISION: AE3</p>					
GENERAL TOLERANCES (UNLESS SPECIFIED)									
	MM	INCH							
4 PLACES	±	±	±						
3 PLACES	±	±	± 0.01						
2 PLACES	± 0.25	± 0.014							
1 PLACE	± 0.35	±							
0 PLACES	±	±							
ANGULAR TOL		± 2.0 °		INITIAL REVISION:		1989/01/03		2014/11/13	
DRAFT WHERE APPLICABLE MUST REMAIN WITHIN DIMENSIONS		THIRD ANGLE PROJECTION		DRAWING		SERIES		MATERIAL NUMBER	
				C-SIZE		1360		SEE CHART	
DOCUMENT STATUS		P1		RELEASE DATE		2022/03/23		06:00:54	

PLUG	
ORDER NO	ENG NO
03-09-2121	I360-P

RECEPTACLE	
ORDER NO	ENG NO
03-09-1121	I360-R ⁶
03-09-1125	I360-R2 ⁶
03-09-1126	I360-R3
03-09-6121	I360-RBK
03-09-6125	I360-R2BK
03-09-6126	I360-R3BK

LEGEND: PLUG

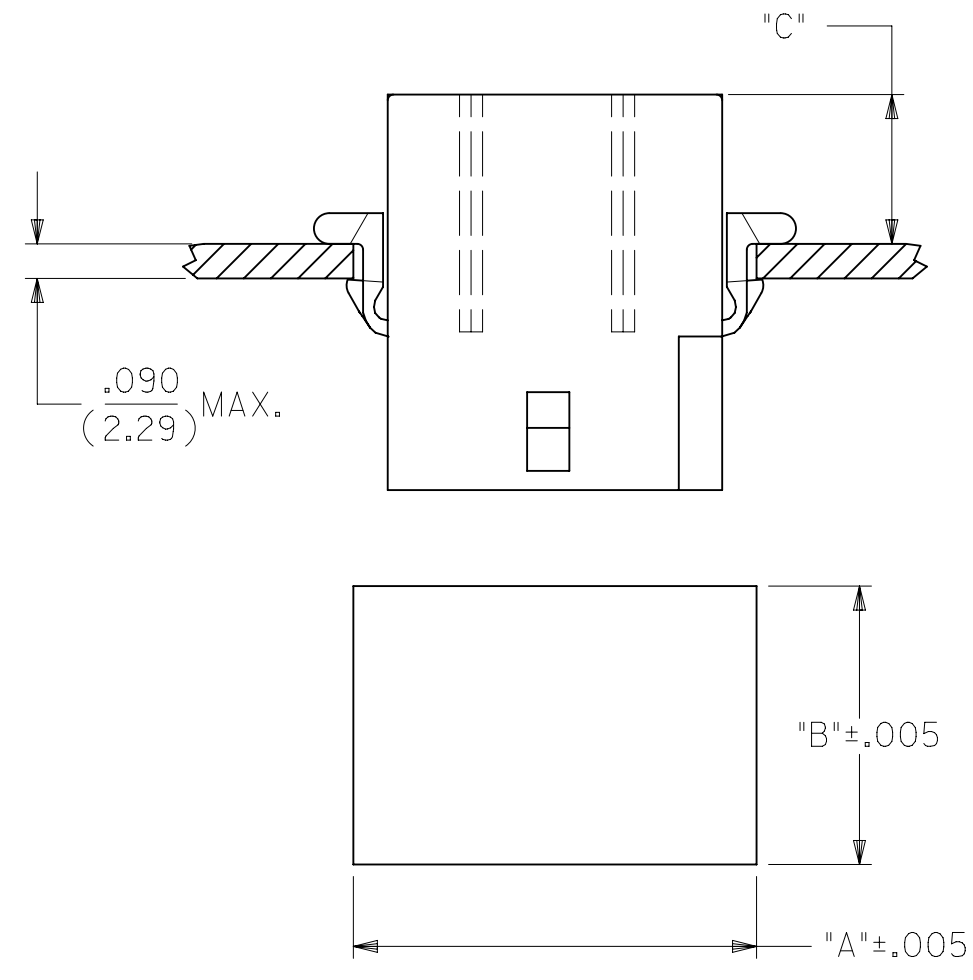
P = PLUG
 BLANK = WITHOUT EARS
 I = WITH MOUNTING EARS
 COLOR:
 BLANK = NATURAL COLOR
 AM = AMBER BK = BLACK BU = BLUE
 BN = BROWN GY = GRAY GN = GREEN
 OR = ORANGE RD = RED YW = YELLOW

LEGEND: RECEPTACLE

R = RECEPTACLE

OPTION	PREBENT EARS	LOCKING RAMP
BLANK	X	
1		
2	X	X
3		X

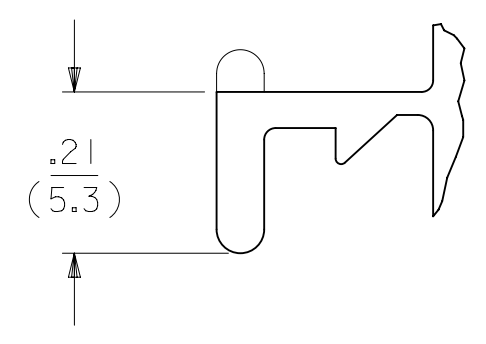
 X = PRESENT
 COLOR:
 BLANK = NATURAL COLOR
 AM = AMBER BK = BLACK BU = BLUE
 BN = BROWN GY = GRAY GN = GREEN
 OR = ORANGE RD = RED YW = YELLOW



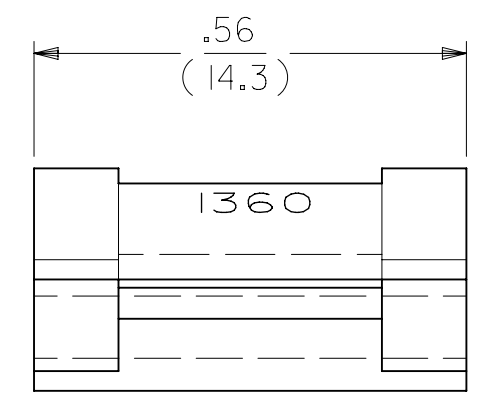
RECOMMENDED PANEL OPENING

HOUSING	DIM. "A"	DIM. "B"	"C" PREBENT EAR	"C" STANDARD EAR
PLUG	1.155/(29.34)	.760/(19.30)	.40/(10.2)	.36/(9.1)
RECEPT.	1.050/(26.67)	.725/(18.42)	.41/(10.4)	.37/(9.4)

- NOTES:**
- MATERIAL: NYLON TYPE 6/6, UL94V-2
 - FINISH: N/A
 - PRODUCT SPECIFICATION: PS-02-09, PS-43660-9999
 - PACKAGING SPECIFICATION: PK-1360-001
 - ⁵ CIRCUIT I.D. NUMBERS ON SIDE OF HOUSING APPEAR ON PARTS FROM TOOLS BUILT AFTER 10/22/91
 - ⁶ WHERE DENOTED IN CHART, TOOLS ARE BUILT WITH PREBENT MOUNTING EARS PER DETAIL B AND SUPERSEDE ALL TOOLS PREVIOUSLY BUILT WITH THE STANDARD EARS.
 - PARTS CONFORM TO CLASS B REQUIREMENTS OF COSMETIC SPECIFICATION PS-45499-002.



DETAIL A
 .093/(2.36) STANDARD MOUNTING EAR
 (SCALE 4:1)



DETAIL B
 .093/(2.36)PREBENT MOUNTING EAR
 (SCALE 4:1)

THIS DRAWING CONTAINS INFORMATION THAT IS PROPRIETARY TO MOLEX ELECTRONIC TECHNOLOGIES, LLC AND SHOULD NOT BE USED WITHOUT WRITTEN PERMISSION									
DIMENSION UNITS IN/MM		SCALE 2:1		CURRENT REV DESC: REMOVED OBSOLETE PARTS AS PER PCN 511086				molex	
GENERAL TOLERANCES (UNLESS SPECIFIED)				EC NO: 699022					
4 PLACES	±	MM	INCH	DRWN: RPRABHUM		2022/03/09		.093/(2.36) HOUSINGS PLUG AND RECEPTACLE 12 CKT, .198/(5.03)CTR.	
3 PLACES	±			CHK'D: GGA		2022/03/23			
2 PLACES	±	0.25	± 0.014	APPR: GGA		2022/03/23		PRODUCT CUSTOMER DRAWING	
1 PLACE	±	0.35	±	INITIAL REVISION:					
0 PLACES	±			DRWN: KBW		1989/01/03		DOCUMENT NUMBER	
ANGULAR TOL ± 2.0 °		THIRD ANGLE PROJECTION		APPR: FSMITH		2014/11/13		SD-1360-X	
DRAFT WHERE APPLICABLE MUST REMAIN WITHIN DIMENSIONS		DRAWING		SERIES		MATERIAL NUMBER		CUSTOMER	
		C-SIZE		1360		SEE CHART		GENERAL MARKET	
								DOC TYPE DOC PART REVISION	
								PSD 001 AE3	
								SHEET NUMBER	
								2 OF 2	