



产品编号 : 03091161

系列号 : 42191

Product Category : Connector Housings

Product Description : 2.36mm Diameter Standard .093" Pin and Socket Receptacle Housing without Mounting Ears, Positive Lock, 2 Circuits

状态 : Active

工程编号 : 42191-2R1

---

## 文件和资源

### 图纸

图纸 003091161\_sd.pdf

### 3D 模型和设计文件

3D模型 003091161\_stp.zip

### 规格


包装规格 421910000-PK-000.pdf

产品规格 PS-02-09-001.pdf

---

## 产物环境合规

### 合规

GADSL/IMDS	Not Relevant
China RoHS	
EU ELV	Not Relevant
Low-Halogen Status	Low-Halogen per IEC 61249-2-21
REACH SVHC	Not Contained per D(2023)8585-DC (23 Jan 2024)
EU RoHS	Compliant per EU 2015/863

### 多部分产品合规性声明

- Eu RoHS
- REACH SVHC
- Low-Halogen
  
- IPC 1752A Class C
- IPC 1752A Class D
- Molex Product Compliance Declaration
- IEC-62474

## 产品详情

### 常规

状态	活动
类别	Connector Housings
系列	42191
说明	2.36mm Diameter Standard .093" Pin and Socket Receptacle Housing without Mounting Ears, Positive Lock, 2 Circuits
应用	Power, Wire-to-Wire
个评论	Glow Wire Equivalent Part Number 50361687; Polarized to Mating Part, without Mounting Ears
产品系列	Standard .093" Pin and Socket Connectors
产品名称	Standard .093"
UPC	800754942416

### 机构

CSA	LR19980
UL	E29179

### 物理

断开	否
电路数 (最多)	2
颜色-树脂	Natural
阻燃性	94V-2
性别	Receptacle
符合灼热丝规范	否
插接极性	无
锁定插接部位	是
净重	1.987/g
行数	1
包装形式	Bag

面板安装式	否
间距 - 插配接口	6.30mm
间距 - 终端界面	6.30mm
有极性的插配件	是
端口	1
可堆叠的	否
运行温度范围	-55° to +105° C

## 进程

无铅	不适用
----	-----

---

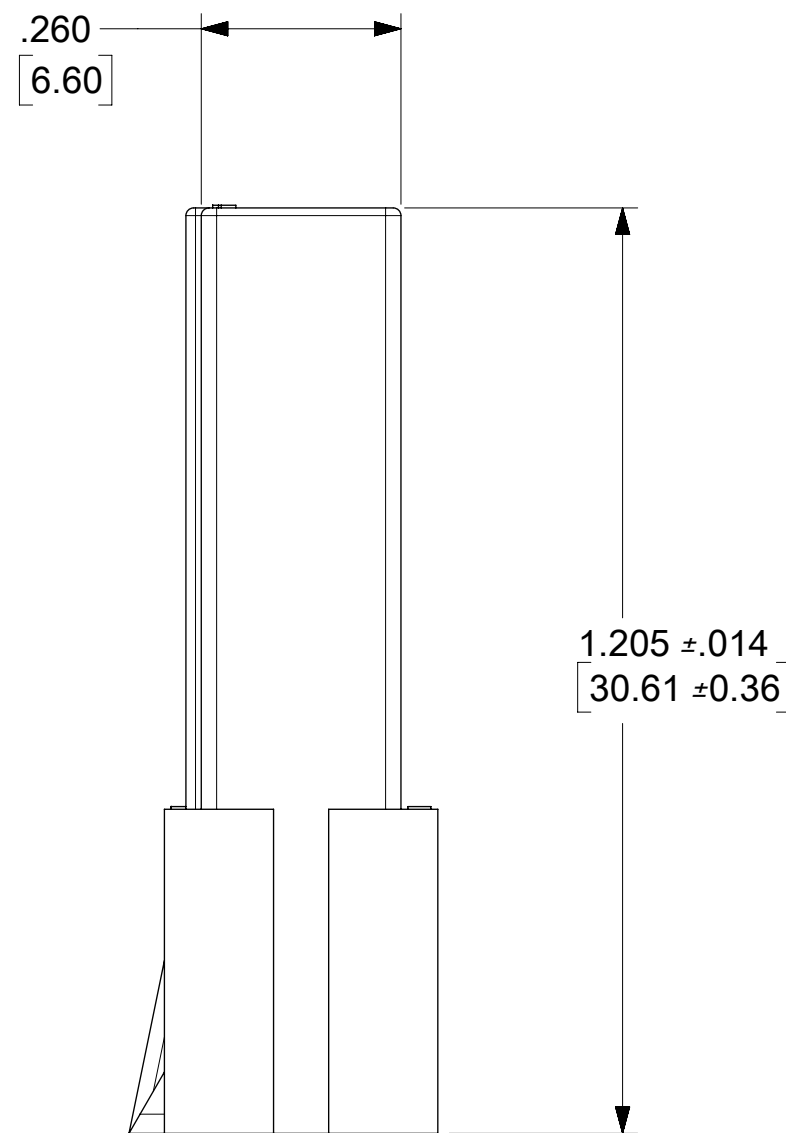
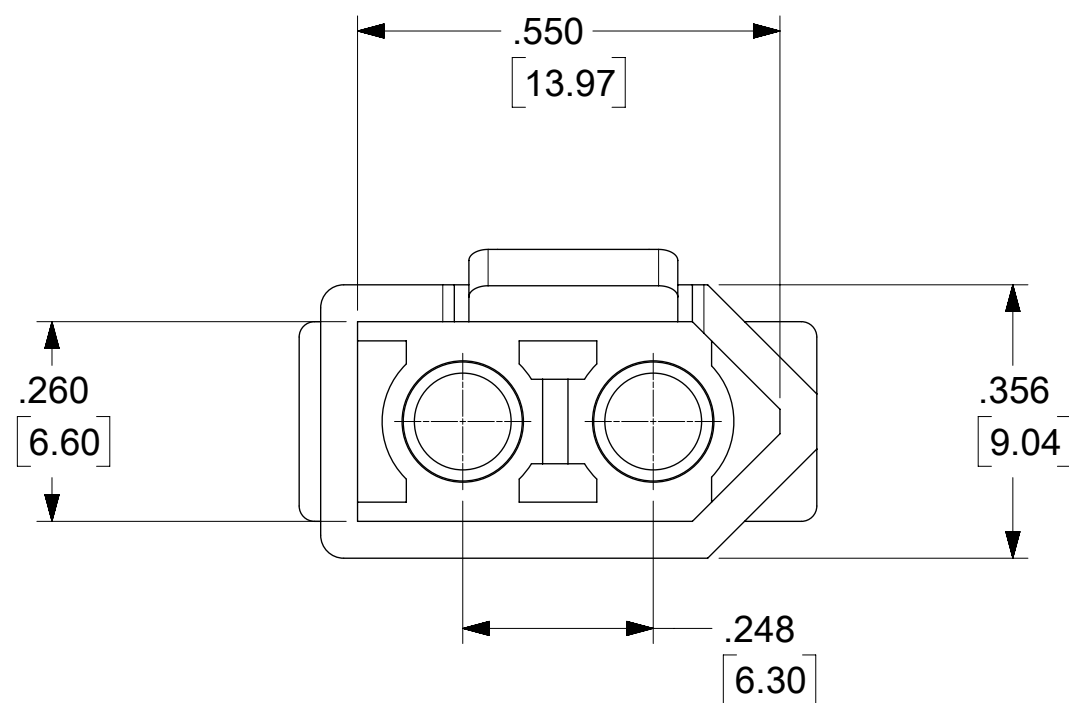
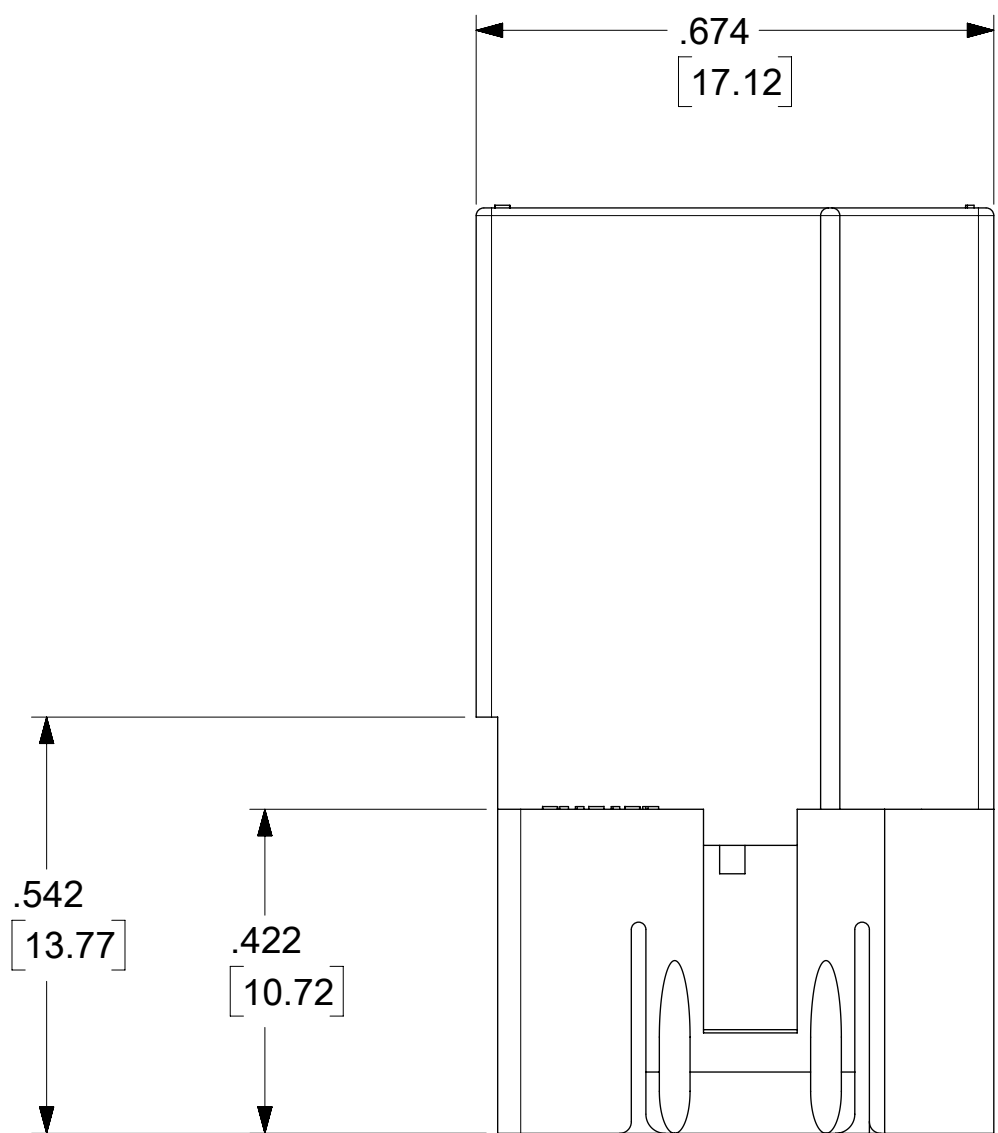
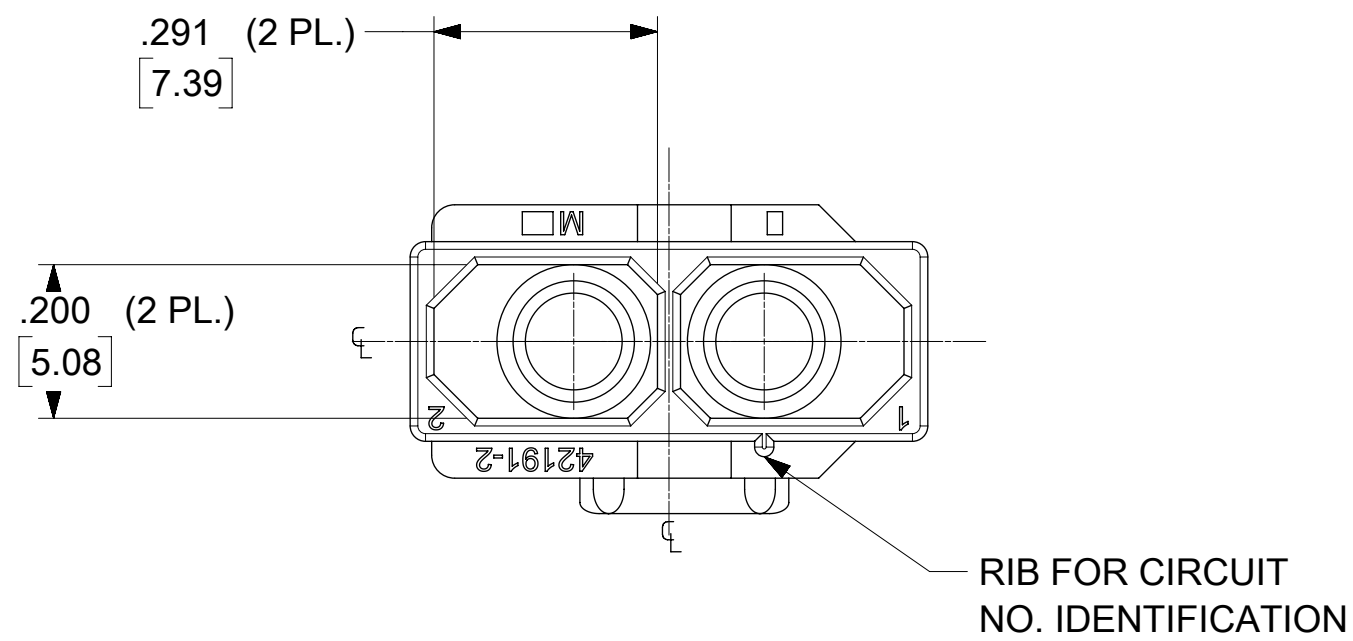
## 可配插/可连接使用的产品

### 可配插部件

描述	产品编号
2.36mm Diameter Standard .093" Pin and Socket Plug Housing without Mounting Ears, Positive Lock, 2 Circuits	<u>03092161</u>

### 可连接使用部件

描述	产品编号
Standard .093" Pin and Socket Female Crimp Terminals	<u>1189</u>
Standard .093" Pin and Socket Male Crimp Terminals	<u>1190</u>
Standard .093" Pin and Socket Male Crimp Terminals	<u>1380</u>
Standard .093" Pin and Socket Female Crimp Terminals	<u>1381</u>
Standard .093" Pin and Socket Male Crimp Terminal	<u>1434</u>
Standard .093" Pin and Socket Male Crimp Grounding Terminals	<u>1973</u>

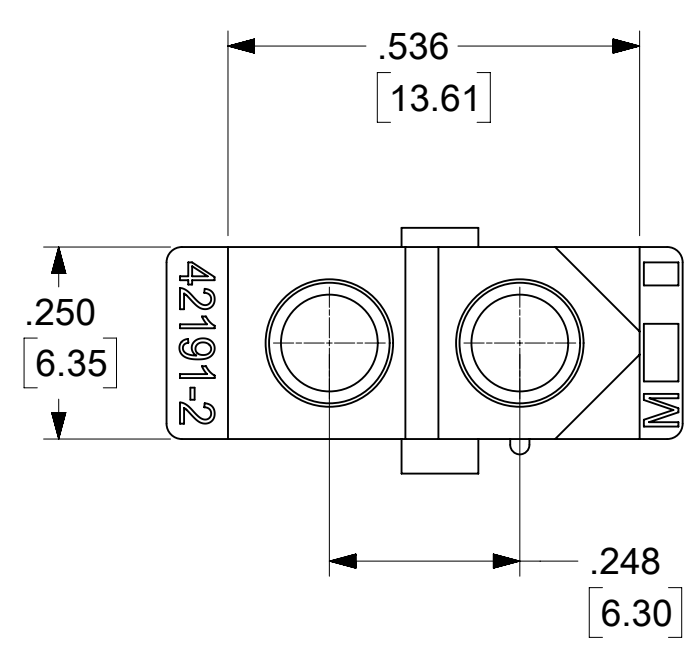
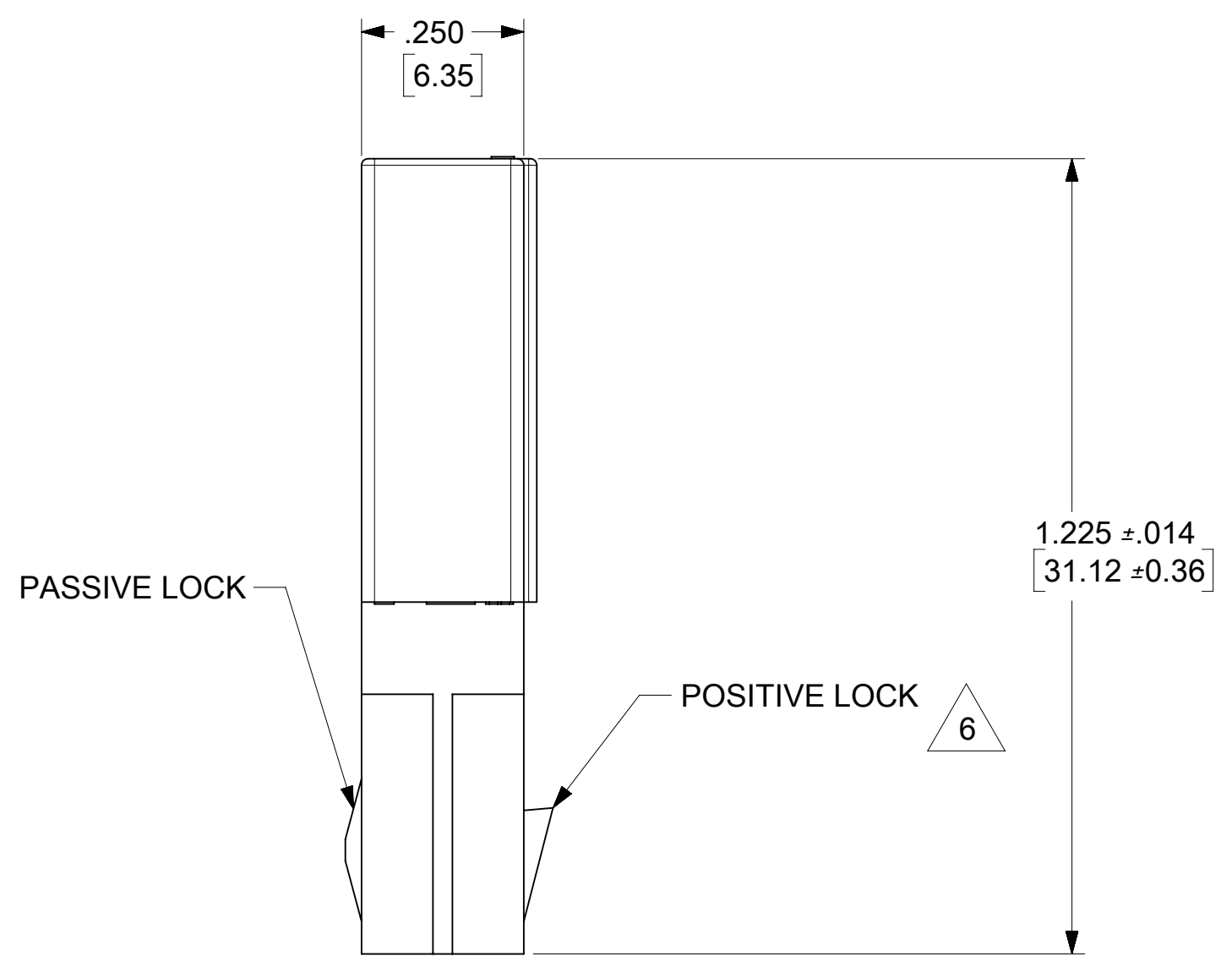
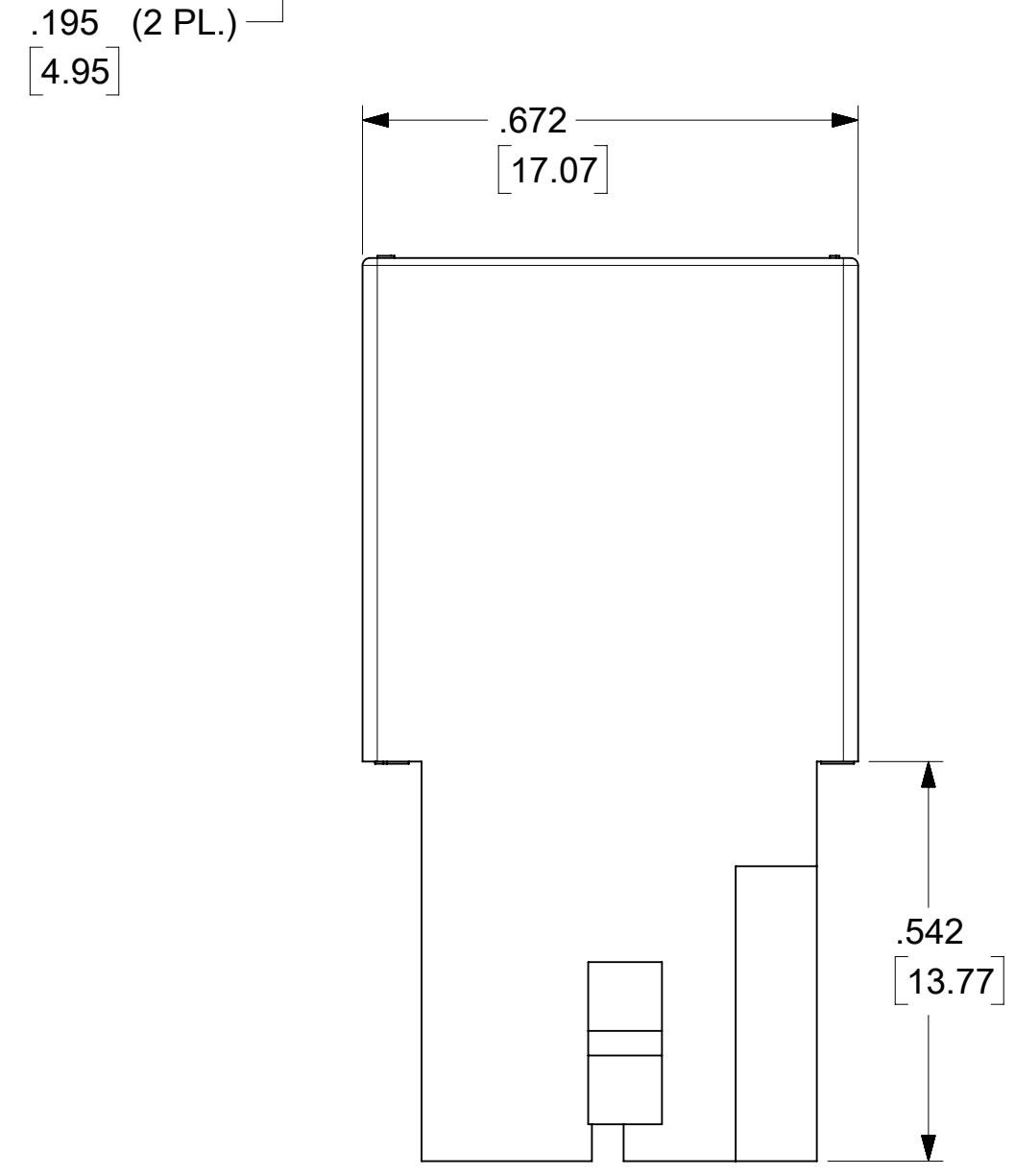
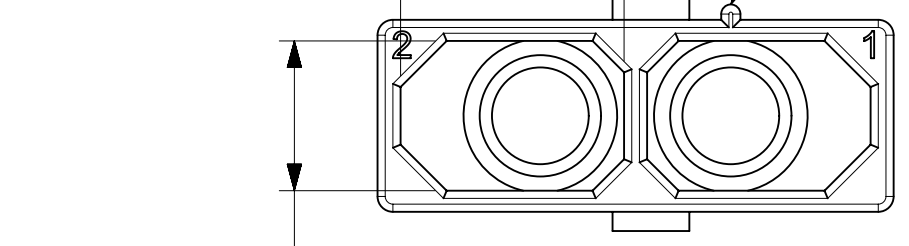


## PLUG HOUSING

QUALITY SYMBOLS		THIS DRAWING CONTAINS INFORMATION THAT IS PROPRIETARY TO MOLEX ELECTRONIC TECHNOLOGIES, LLC AND SHOULD NOT BE USED WITHOUT WRITTEN PERMISSION				DIMENSION UNITS		SCALE				
▽ = 0		ADD PK SPEC	GENERAL TOLERANCES (UNLESS SPECIFIED)		INCH/MM	4:1						
▽ = 0	EC NO: 108502		MM	INCH	DRWN BY	DATE						
▽ = 0	DRWN: BAPPELDORN		4 PLACES ±	±	AELHAG	2007/09/24						
▼ = 0	CHKD: MKIPPER		3 PLACES ±	± 0.01	CHK'D BY	DATE						
▽ = 0	REV   APPR: FSMITH		2 PLACES ±	± 0.25 ± 0.014	LSCHMIDT	2007/09/24						
▽ = 0			1 PLACES ±	± 0.36 ±	APPR BY	DATE						
☒ = 0		0 PLACES ±	±	FSMITH	2014/12/18	PRODUCT CUSTOMER DRAWING		SERIES	MATERIAL NUMBER	CUSTOMER		
■ = 0		ANGULAR TOL = 1.0		DRAWING SIZE		THIRD ANGLE PROJECTION		42191	SEE CHART	GENERAL MARKET		
▽ = 0		DRAFT WHERE APPLICABLE MUST REMAIN WITHIN DIMENSIONS		C				DOCUMENT NUMBER		DOC TYPE	DOC PART	SHEET NUMBER
								421910200-SD		PSD	000	1 OF 3

.291 (2 PL.)  
[7.39]

RIB FOR CIRCUIT  
NO. IDENTIFICATION



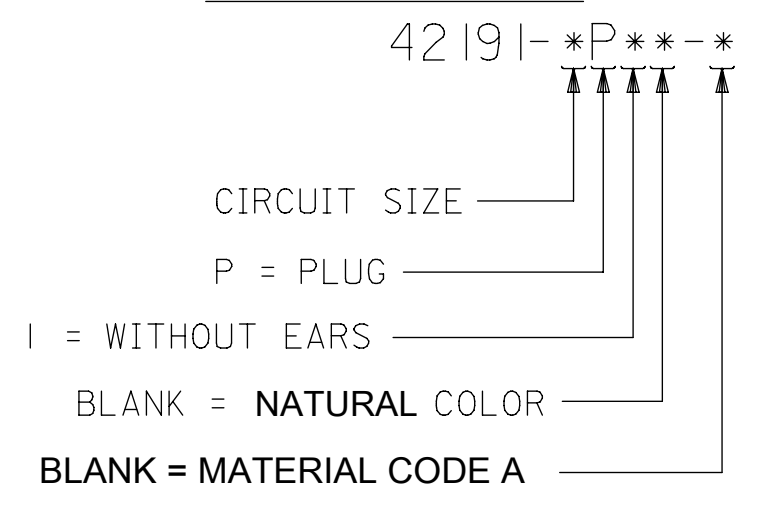
# RECEPTACLE HOUSING

QUALITY SYMBOLS		THIS DRAWING CONTAINS INFORMATION THAT IS PROPRIETARY TO MOLEX ELECTRONIC TECHNOLOGIES, LLC AND SHOULD NOT BE USED WITHOUT WRITTEN PERMISSION				DIMENSION UNITS		SCALE				
▽ = 0 ▽ = 0 ▽ = 0 ▼ = 0 ▽ = 0 ⊠ = 0 ■ = 0 ▽ = 0		GENERAL TOLERANCES (UNLESS SPECIFIED)		INCH/MM		4:1		.093/(2.36) HOUSING G.W. PLUG AND RECEPTACLE 2 CIRCUIT				
ADD PK SPEC		MM		INCH		DRWN BY					DATE	
EC NO: 108502		±		±		AELHAG		2007/09/24		SERIES: 42191 MATERIAL NUMBER: SEE CHART CUSTOMER: GENERAL MARKET		
DRWN: BAPPELDORN		± 0.25		± 0.014		CHK'D BY		DATE				
CHKD: MKIPPER		± 0.36		±		LSCHMIDT		2007/09/24		DRAWING SIZE: C THIRD ANGLE PROJECTION		
REV: APPR: FSMITH		±		±		APPR BY		DATE				
A		ANGULAR TOL = 1.0				FSMITH		2014/12/18		DRAFT WHERE APPLICABLE MUST REMAIN WITHIN DIMENSIONS		
REV		DRAFT WHERE APPLICABLE MUST REMAIN WITHIN DIMENSIONS				DRAWING SIZE		THIRD ANGLE PROJECTION				
						C				DRAFT WHERE APPLICABLE MUST REMAIN WITHIN DIMENSIONS		

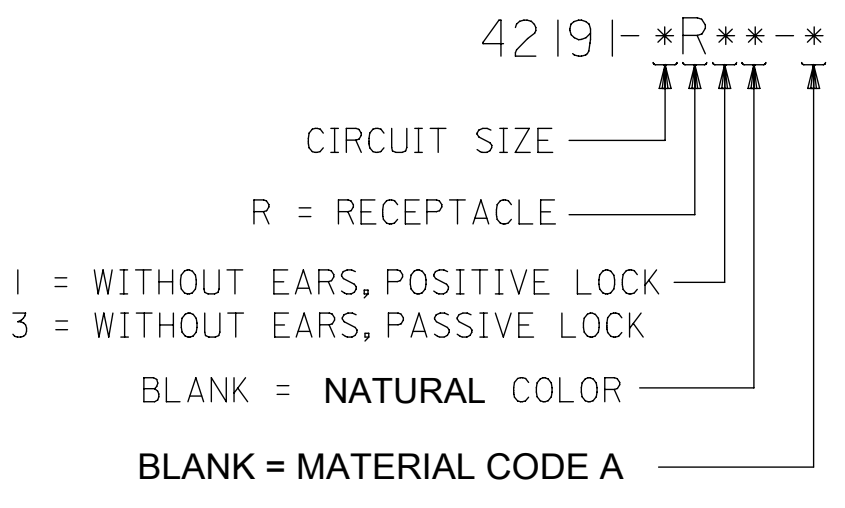
PLUG	
PART NO.	ENG. NO.
03-09-2161	42191-2P1

RECEPTACLE	
PART NO.	ENG. NO.
03-09-1161	42191-2R1
03-09-1163	42191-2R3

LEGEND: PLUG



LEGEND: RECEPTACLE



- NOTES:
- MATERIAL CODES:  
A = NYLON TYPE 6/6, 94V-2
  - FINISH: NONE.
  - PRODUCT SPECIFICATION: NONE.
  - PACKAGING INFORMATION: 421910000-PK.
  - PART ACCEPTS DOUBLE WIRE CRIMPS OF 18 AWG MAXIMUM. EACH CIRCUIT WILL ALLOW ONE OF THE WIRES TO HAVE AN INSULATION THICKNESS OF .062/(1.57), THE OTHER HAVING AN INSULATION THICKNESS OF .031/(0.79).
  - LOCK RAMP STYLE IS OPTIONAL ON THIS SIDE OF PART. CHOICE OF EITHER A POSITIVE LOCK RAMP OR A PASSIVE LOCK RAMP IS AVAILABLE.
  - PARTS CONFORM TO CLASS 'B' REQUIREMENTS OF COSMETIC SPECIFICATION PS-45499-002.

THIS DRAWING CONTAINS INFORMATION THAT IS PROPRIETARY TO MOLEX ELECTRONIC TECHNOLOGIES, LLC AND SHOULD NOT BE USED WITHOUT WRITTEN PERMISSION													
QUALITY SYMBOLS	ADD PK SPEC	EC NO: 108502	DRWN: BAPPELDORN	CHKD: MKIPPER	REV   APPR: FSMITH	GENERAL TOLERANCES (UNLESS SPECIFIED)		DIMENSION UNITS	SCALE				
						MM	INCH	INCH/MM	1:1				
▽ = 0	▽ = 0	▽ = 0	▽ = 0	▽ = 0	▽ = 0	4 PLACES ±	±	DRWN BY	DATE		.093/(2.36) HOUSING G.W. PLUG AND RECEPTACLE 2 CIRCUIT		
▽ = 0	▽ = 0	▽ = 0	▽ = 0	▽ = 0	▽ = 0	3 PLACES ±	± 0.01	AELHAG	2007/09/24				
▽ = 0	▽ = 0	▽ = 0	▽ = 0	▽ = 0	▽ = 0	2 PLACES ±	± 0.014	CHK'D BY	DATE				
▽ = 0	▽ = 0	▽ = 0	▽ = 0	▽ = 0	▽ = 0	1 PLACES ±	± 0.36	LSCHMIDT	2007/09/24	PRODUCT CUSTOMER DRAWING			
▽ = 0	▽ = 0	▽ = 0	▽ = 0	▽ = 0	▽ = 0	0 PLACES ±	±	APPR BY	DATE				
▽ = 0	▽ = 0	▽ = 0	▽ = 0	▽ = 0	▽ = 0	ANGULAR TOL = 1.0		FSMITH	2014/12/18	SERIES	MATERIAL NUMBER	CUSTOMER	
▽ = 0	▽ = 0	▽ = 0	▽ = 0	▽ = 0	▽ = 0	DRAFT WHERE APPLICABLE MUST REMAIN WITHIN DIMENSIONS		DRAWING SIZE	THIRD ANGLE PROJECTION	42191	SEE CHART	GENERAL MARKET	
▽ = 0	▽ = 0	▽ = 0	▽ = 0	▽ = 0	▽ = 0	C				DOCUMENT NUMBER	DOC TYPE	DOC PART	SHEET NUMBER
										421910200-SD	PSD	000	3 OF 3