



产品编号 : [03092031](#)

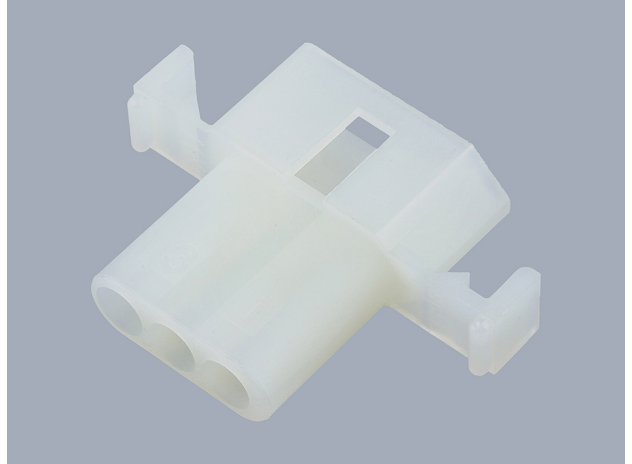
Product Description : 2.36mm Diameter Standard .093" Pin and Socket Plug Housing, 3 Circuits, Single Row, Natural

系列号 : 1396

状态 : Active

Product Category : Connector Housings

工程编号 : 1396-P



文件和资源

图纸

[图纸 003092031_sd.pdf](#)

3D 模型和设计文件

[3D模型 003092031_stp.zip](#)

规格

[包装规格 PK-1396-002-001.pdf](#)

[产品规格 PS-02-09-001.pdf](#)


[产品规格 PS-1396-002-001.pdf](#)

[产品规格 PS-42477-001.pdf](#)

[产品规格 PS-43660-9999-001.pdf](#)

产物环境合规

合规

GADSL/IMDS	Not Relevant
China RoHS	
EU ELV	Not Relevant
Low-Halogen Status	Low-Halogen per IEC 61249-2-21
REACH SVHC	Not Contained per D(2023)8585-DC (23 Jan 2024)
EU RoHS	Compliant per EU 2015/863

[多部分产品合规性声明](#)

- Eu RoHS
- REACH SVHC
- Low-Halogen

多部分行业合规性文件

- IPC 1752A Class C
- IPC 1752A Class D
- Molex Product Compliance Declaration
- IEC-62474
- chemSHERPA (xml)

欧盟 RoHS 合格证书

产品详情

常规

状态	活动
类别	Connector Housings
系列	1396
说明	2.36mm Diameter Standard .093" Pin and Socket Plug Housing, 3 Circuits, Single Row, Natural
应用	Power, Wire-to-Wire
个评论	17.0A max. can be achieved when housing is used with 42477 or 42478 terminals
产品系列	Standard .093" Pin and Socket Connectors
产品名称	Standard .093"
UPC	800753618855

机构

CSA	LR19980
UL	E29179

物理

电路数（最多）	3
颜色-树脂	Natural
阻燃性	94V-2
性别	Plug
符合灼热丝规范	否

锁定插接部位	是
净重	1.884/g
行数	1
包装形式	Bag
面板安装式	是
间距 - 插配接口	5.03mm
间距 - 终端界面	5.03mm
可堆叠的	否
运行温度范围	-40° to +105° C

进程

无铅	不适用
----	-----

可配插/可连接使用的产品

可配插部件

描述	产品编号
2.36mm Diameter Standard .093" Pin and Socket Receptacle Housing, 3 Circuits, Single Row, Natural	<u>03091032</u>
2.36mm Diameter Standard .093" Pin and Socket Receptacle Housing, 3 Circuits, Single Row, Free-Hanging, without Passive Lock Ramps, Natural	<u>03091033</u>

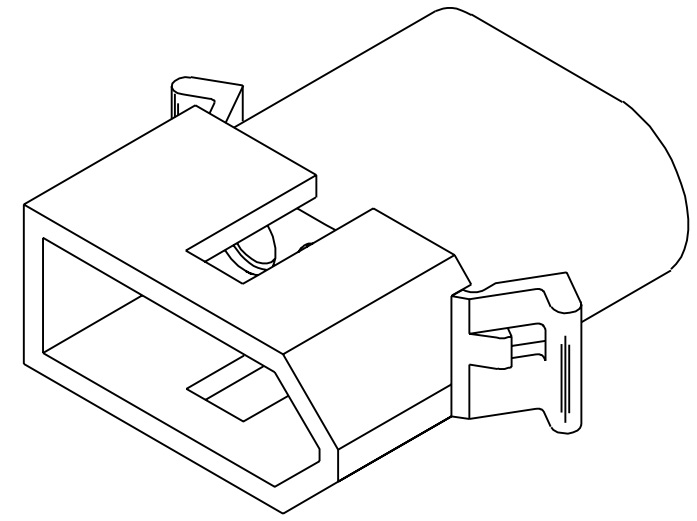
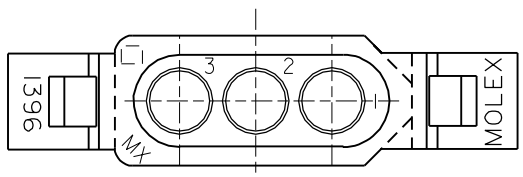
可连接使用部件

描述	产品编号
Standard .093" Pin and Socket Female Crimp Terminals	<u>1189</u>
Standard .093" Pin and Socket Male Crimp Terminals	<u>1190</u>
Standard .093" Pin and Socket Male Crimp Terminals	<u>1380</u>
Standard .093" Pin and Socket Female Crimp Terminals	<u>1381</u>
Standard .093" Pin and Socket Male Crimp Terminal	<u>1434</u>
Standard .093" Pin and Socket Male Crimp Grounding Terminals	<u>1973</u>

Standard .093" Pin and Socket Female Crimp Terminal	<u>4550</u>
--	-------------

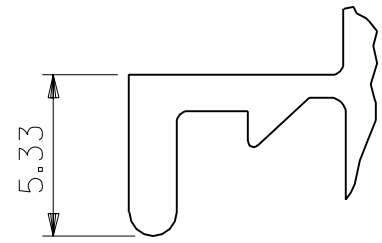
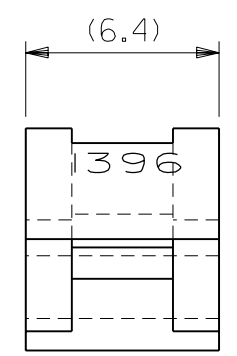
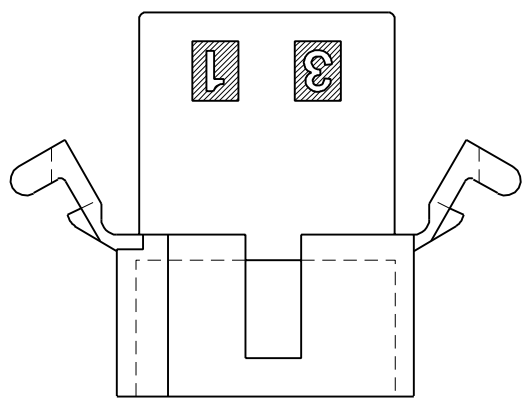
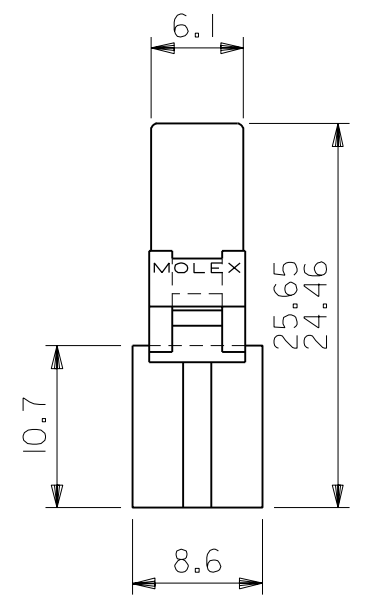
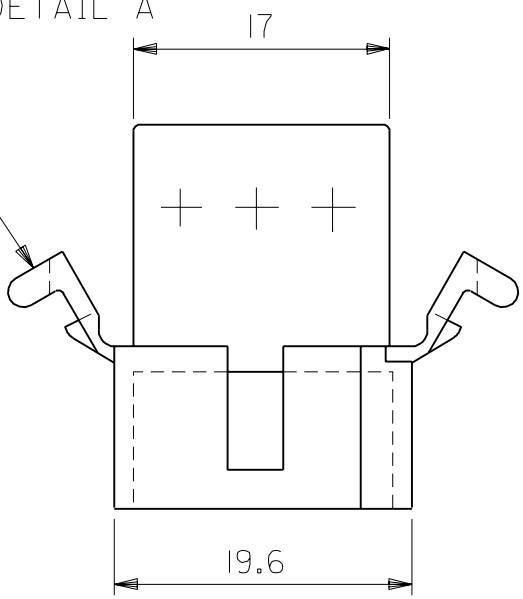
This document was generated on Mar 25, 2024

DWG. NO.
SD-1396-002

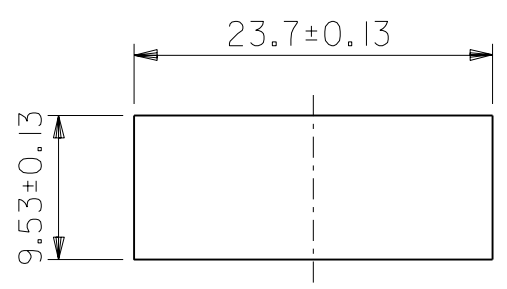
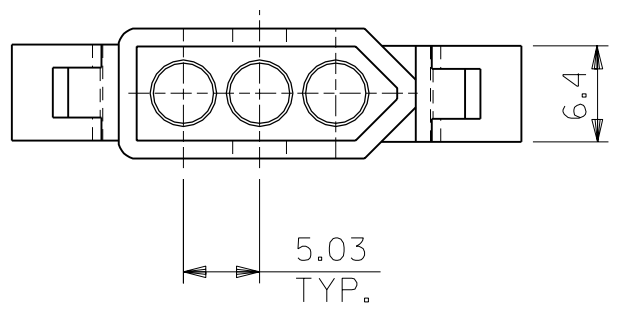


PLUG

MT'G EARS (表参照)
参照 DETAIL A



DETAIL A
(SCALE 4:1)



パネル取付穴寸法
(パネル厚 2.29最大)

1396P1	03-09-2032	無	WITHOUT
1396P	03-09-2031	有	WITH
ENG. NO.	EDP NO.	MT'G EARS	

DO NOT SCALE DRAWING

EC NO.	EC NO.	EC NO.	EC NO.
DRWN:	DRWN:	DRWN:	DRWN:
CHK:	CHK:	CHK:	CHK:
APPR:	APPR:	APPR:	APPR:

RELEASED
EC NO. JC2001-0078
DRWN: K.KOHAMA '00/08/28
CHK: T.YAMAGUCHI
APPR: M.FUKUSHIMA

MATERIAL 材料	NYLON66 94V-2
FINISH 仕上り	
WIRE RANGE 適用電線範囲	
INS. RANGE 被覆外径	

GENERAL TOLERANCES: (UNLESS SPECIFIED) 一般公差	SCALE 2 : 1
10 UNDER 未満	DESIGN UNITS <input checked="" type="checkbox"/> mm <input type="checkbox"/> INCH
10 OVER 30 UNDER 以上 未満	THIRD ANGLE PROJECTION
30 OVER 以上	±0.25 ±0.2
ANGLE 角度	±3°

MODEL NO.	03-09-2***	DIMENSIONS:	SHT	REV
SCALE	2 : 1	<input type="checkbox"/> mm <input type="checkbox"/> INCH <input checked="" type="checkbox"/> mm ONLY		
DRAWN BY & DATE	K.KOHAMA '00/08/28	TITLE:	3 CIRCUITS PLUG HSG (0.093 DIA TERMINAL)	
CHECKED BY & DATE	T.YAMAGUCHI '00/08/28	MOLEX INCORPORATED		
APPROVED BY & DATE	M.FUKUSHIMA '00/08/28	MATERIAL NO.	DRAWING NO.	SHEET NO.
CAD FILENAME	1396002.S01	SEE NOTES	SD-1396-002	1 OF 1
THIS DRAWING CONTAINS INFORMATION THAT IS PROPRIETARY TO MOLEX INCORPORATED AND SHOULD NOT BE USED WITHOUT WRITTEN PERMISSION.				SIZE B