



产品编号 : 03092032

系列号 : 1396

Product Category : Connector Housings

Product Description : 2.36mm Diameter
Standard .093" Pin and Socket Plug
Housing, 3 Circuits, Single Row, Natural

状态 : Active

工程编号 : 1396-P1

文件和资源

图纸

图纸 003092032_sd.pdf

3D 模型和设计文件

3D模型 003092032_stp.zip

规格

包装规格 PK-1396-002-001.pdf


产品规格 PS-02-09-001.pdf

产品规格 PS-1396-002-001.pdf

产品规格 PS-43660-9999-001.pdf

产物环境合规

合规

| | |
|--------------------|---|
| GADSL/IMDS | Not Relevant |
| China RoHS |  |
| EU ELV | Not Relevant |
| Low-Halogen Status | Low-Halogen per IEC 61249-2-21 |
| REACH SVHC | Not Contained per D(2023)8585-DC (23 Jan 2024) |
| EU RoHS | Compliant per EU 2015/863 |

多部分产品合规性声明

- Eu RoHS
- REACH SVHC
- Low-Halogen

- IPC 1752A Class C
- IPC 1752A Class D
- Molex Product Compliance Declaration

- IEC-62474

- chemSHERPA (xml)

欧盟 RoHS 合格证书

产品详情

常规

| | |
|------|---|
| 状态 | 活动 |
| 类别 | Connector Housings |
| 系列 | 1396 |
| 说明 | 2.36mm Diameter Standard .093" Pin and Socket Plug Housing, 3 Circuits, Single Row, Natural |
| 应用 | Power, Wire-to-Wire |
| 评论 | 17.0A max. can be achieved when housing is used with 42477 or 42478 terminals |
| 产品系列 | Standard .093" Pin and Socket Connectors |
| 产品名称 | Standard .093" |
| UPC | 800753614826 |

机构

| | |
|-----|---------|
| CSA | LR19980 |
| UL | E29179 |

物理

| | |
|----------|---------|
| 电路数 (最多) | 3 |
| 颜色-树脂 | Natural |
| 阻燃性 | 94V-2 |
| 性别 | Plug |
| 符合灼热丝规范 | 否 |
| 锁定插接部位 | 是 |
| 材料 - 树脂 | Nylon |
| 净重 | 1.720/g |
| 行数 | 1 |
| 包装形式 | Bag |
| 面板安装式 | 否 |

| | |
|-----------|-----------------|
| 间距 - 插配接口 | 5.03mm |
| 可堆叠的 | 否 |
| 运行温度范围 | -40° to +105° C |

进程

| | |
|----|-----|
| 无铅 | 不适用 |
|----|-----|

可配插/可连接使用的产品

可配插部件

| 描述 | 产品编号 |
|---|-----------------|
| 2.36mm Diameter Standard .093" Pin and Socket Receptacle Housing, 3 Circuits, Single Row, Natural | <u>03091031</u> |
| 2.36mm Diameter Standard .093" Pin and Socket Receptacle Housing, 3 Circuits, Single Row, Natural | <u>03091032</u> |
| 2.36mm Diameter Standard .093" Pin and Socket Receptacle Housing, 3 Circuits, Single Row, Free-Hanging, without Passive Lock Ramps, Natural | <u>03091033</u> |
| 2.36mm Diameter Standard .093" Pin and Socket Receptacle Housing, 3 Circuits, Single Row, Natural | <u>03091081</u> |

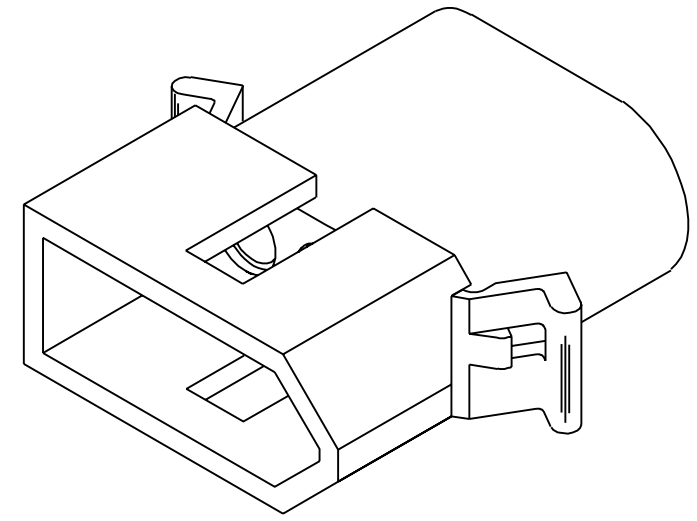
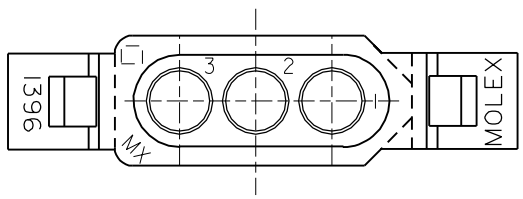
可连接使用部件

| 描述 | 产品编号 |
|--|-------------|
| Standard .093" Pin and Socket Female Crimp Terminals | <u>1189</u> |
| Standard .093" Pin and Socket Male Crimp Terminals | <u>1190</u> |
| Standard .093" Pin and Socket Male Crimp Terminals | <u>1380</u> |
| Standard .093" Pin and Socket Female Crimp Terminals | <u>1381</u> |
| Standard .093" Pin and Socket Male Crimp Terminal | <u>1434</u> |
| Standard .093" Pin and Socket Male Crimp Grounding Terminals | <u>1973</u> |

| | |
|--|-------------|
| Standard .093" Pin and Socket Female Crimp Terminal | <u>4550</u> |
|--|-------------|

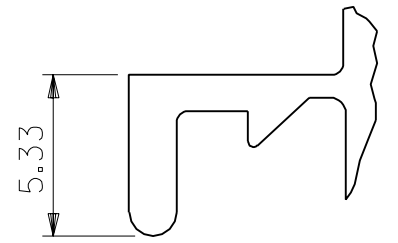
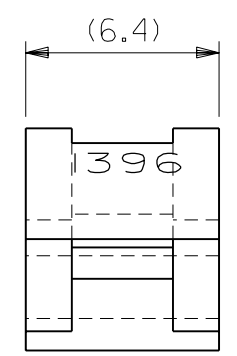
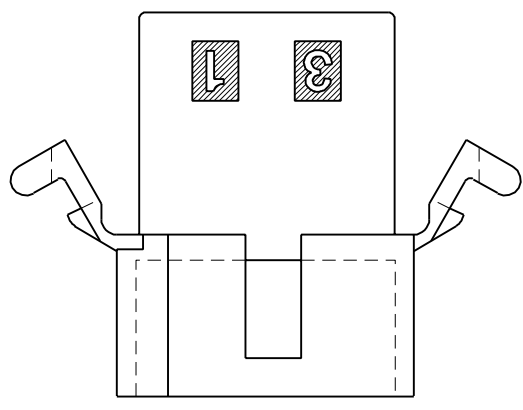
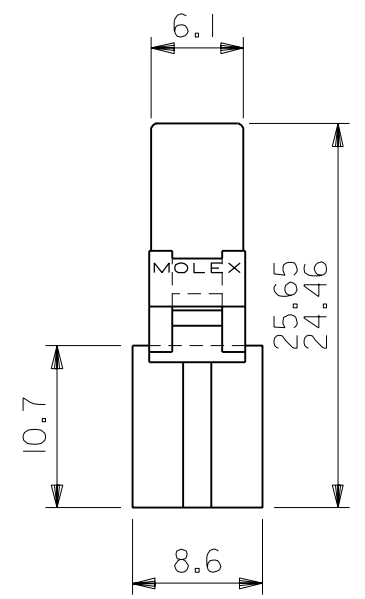
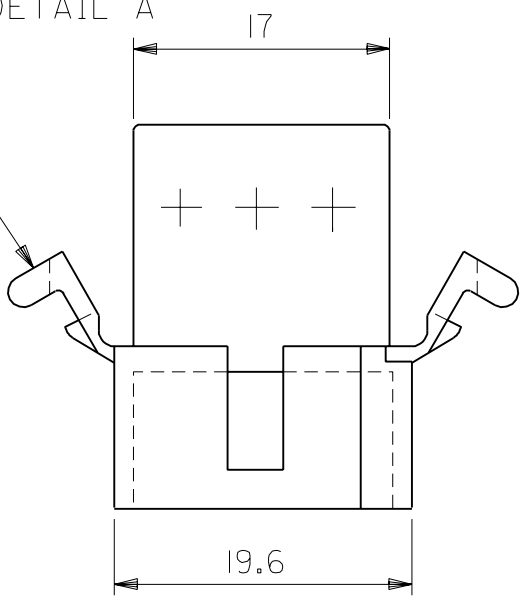
This document was generated on Jun 30, 2024

DWG. NO.
SD-1396-002

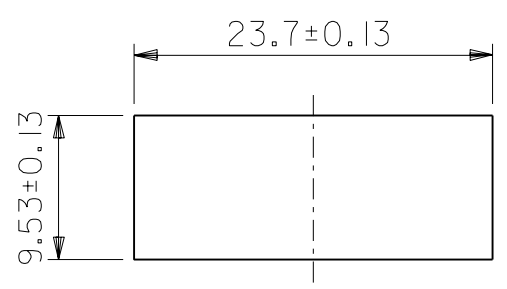
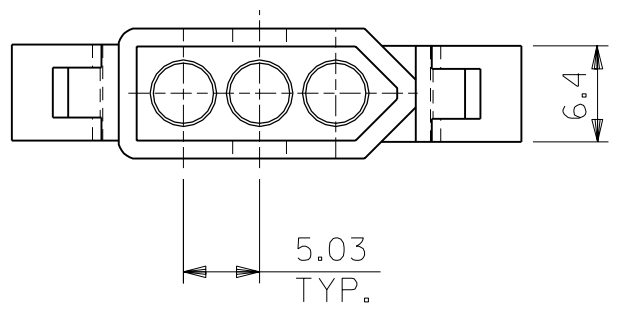


PLUG

MT'G EARS (表参照)
参照 DETAIL A



DETAIL A
(SCALE 4:1)



パネル取付穴寸法
(パネル厚 2.29最大)

| | | | |
|----------|------------|-----------|---------|
| 1396P1 | 03-09-2032 | 無 | WITHOUT |
| 1396P | 03-09-2031 | 有 | WITH |
| ENG. NO. | EDP NO. | MT'G EARS | |

DO NOT SCALE DRAWING

| | | | |
|--------|--------|--------|--------|
| EC NO. | EC NO. | EC NO. | EC NO. |
| DRWN: | DRWN: | DRWN: | DRWN: |
| CHK: | CHK: | CHK: | CHK: |
| APPR: | APPR: | APPR: | APPR: |

RELEASED
EC NO. JC2001-0078
DRWN: K.KOHAMA '00/08/28
CHK: T.YAMAGUCHI
APPR: M.FUKUSHIMA

| | |
|----------------------|------------------|
| MATERIAL 材料 | NYLON66 94V-2 |
| FINISH 仕上り | |
| WIRE RANGE 適用電線範囲 | |
| INS. RANGE 被覆外径 | |

| | |
|---|--|
| GENERAL TOLERANCES: (UNLESS SPECIFIED) 一般公差 | SCALE 2 : 1 |
| 10 UNDER 未満 | DESIGN UNITS <input checked="" type="checkbox"/> mm <input type="checkbox"/> INCH |
| 10 OVER 30 UNDER 以上 未満 | THIRD ANGLE PROJECTION |
| 30 OVER 以上 | |
| ANGLE 角度 | |

| | | | | |
|--|-----------------------|---|---|-----------|
| MODEL NO. | 03-09-2*** | DIMENSIONS: | SHT | REV |
| SCALE | 2 : 1 | <input type="checkbox"/> mm <input type="checkbox"/> INCH <input checked="" type="checkbox"/> mm ONLY | | |
| DRAWN BY & DATE | K.KOHAMA '00/08/28 | TITLE: | 3 CIRCUITS PLUG HSG (0.093 DIA TERMINAL) | |
| CHECKED BY & DATE | T.YAMAGUCHI '00/08/28 | MOLEX INCORPORATED | | |
| APPROVED BY & DATE | M.FUKUSHIMA '00/08/28 | MATERIAL NO. | DRAWING NO. | SHEET NO. |
| CAD FILENAME | 1396002.S01 | SEE NOTES | SD-1396-002 | 1 OF 1 |
| THIS DRAWING CONTAINS INFORMATION THAT IS PROPRIETARY TO MOLEX INCORPORATED AND SHOULD NOT BE USED WITHOUT WRITTEN PERMISSION. | | | | SIZE B |