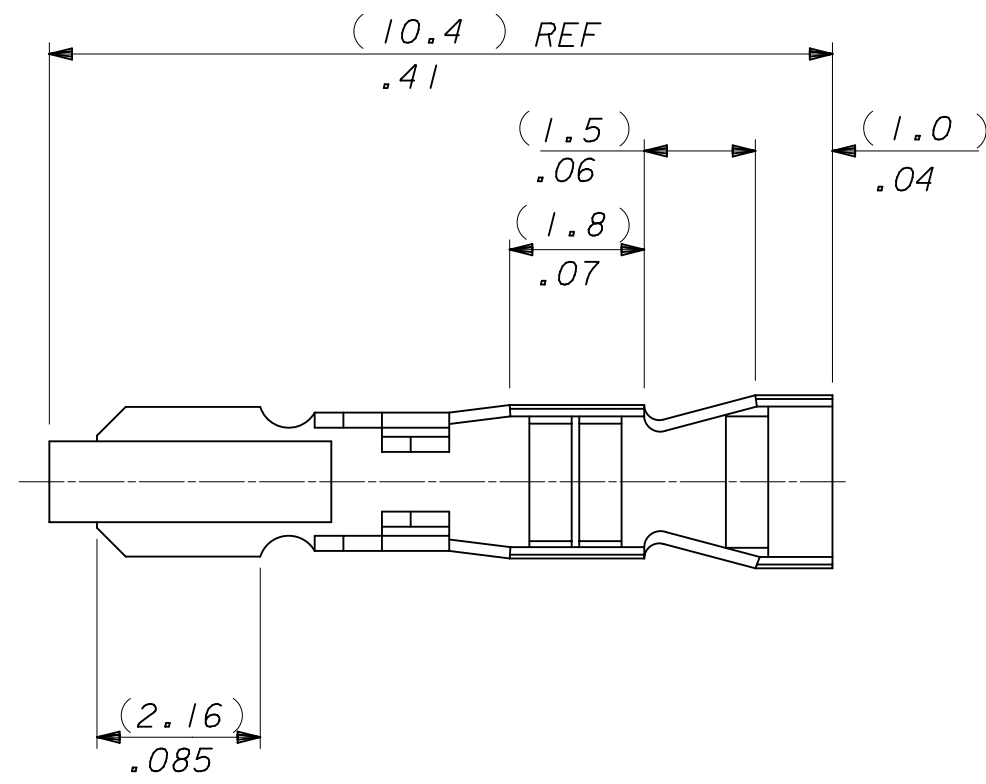
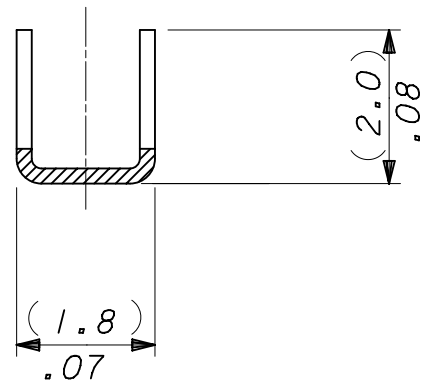


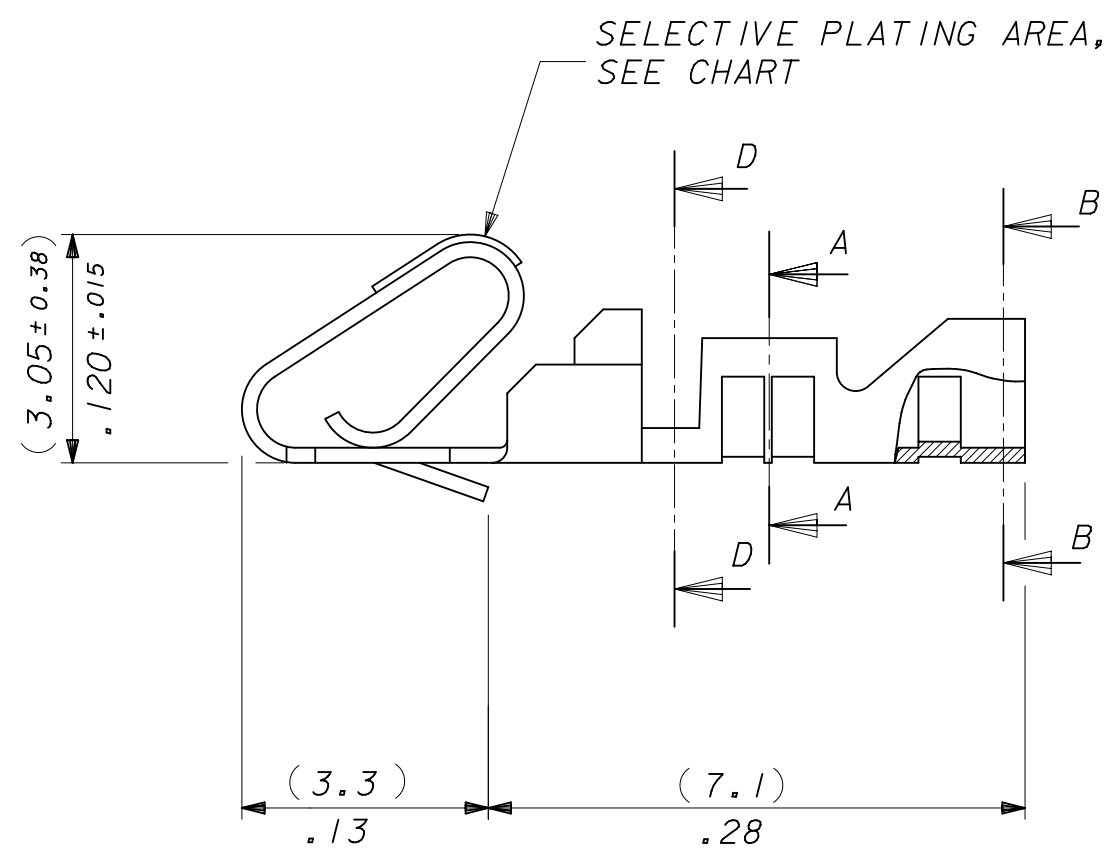
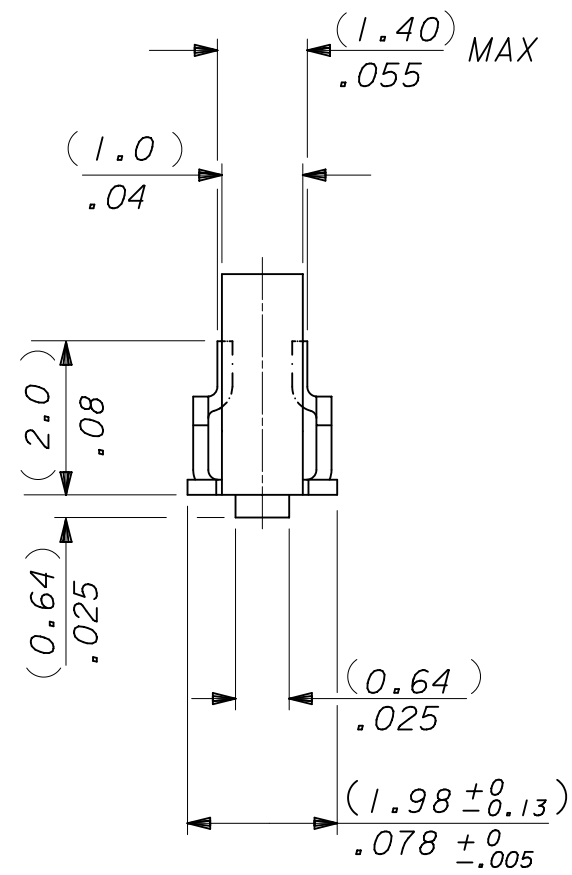
SECTION D-D  
(4809-1T ONLY)



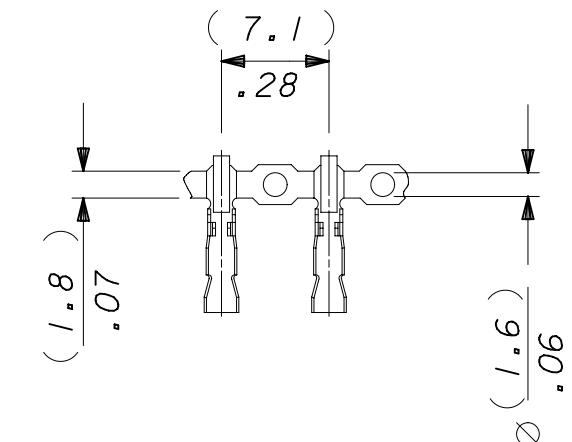
NOTES:

1. MATERIAL: (0.21)/.008 THICK BRASS.
2. FINISH: SEE SHEET 2.
3. THIS PART CONFORMS TO PRODUCT SPEC. 99020-0088.
4. TERMINAL MUST MEET BEND SPEC. SDES-219.
5. SUITABLE FOR 22-30 GA. WIRE, (1.57)/.062 MAX. INSULATION.
6. THIS PART CONFORMS TO CLASS B REQUIREMENTS OF COSMETIC SPECIFICATION PS-45499-002.

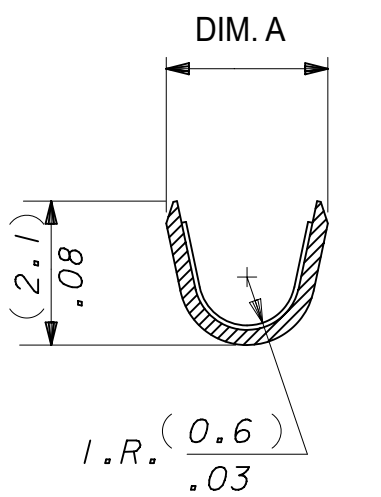
勝特力電材超市-龍山店 886-3-5773766  
 勝特力電材超市-光復店 886-3-5729570  
 勝特力电子(上海) 86-21-34970699  
 勝特力电子(深圳) 86-755-83298787  
<http://www.100y.com.tw>



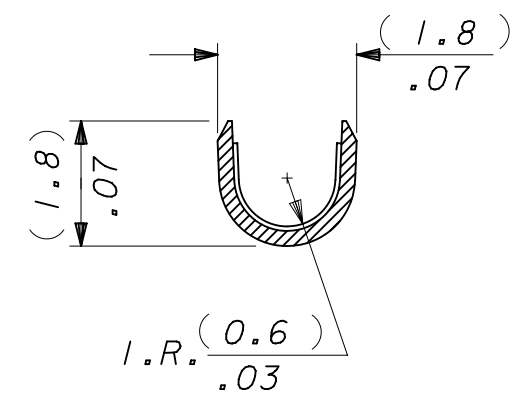
SELECTIVE PLATING AREA,  
SEE CHART



CARRIER STRIP DETAIL  
SCALE 2:1



SECTION B-B



SECTION A-A

4809-(\*)\*\*  
 PLATING CODE

- BLANK : DIM. A = (2.1) / 1.083 REF.
- M: DIM A = (2.2) / .087 REF.
- BLANK=CHAIN FORM TOP FEEDING REEL
- L=LOOSE FORM

THIS DRAWING CONTAINS INFORMATION THAT IS PROPRIETARY TO MOLEX ELECTRONIC TECHNOLOGIES, LLC AND SHOULD NOT BE USED WITHOUT WRITTEN PERMISSION									
DIMENSION UNITS		SCALE		CURRENT REV DESC: OBSOLETE PART NUMBERS AS PER PCN#509450.					
MM/IN		10:1		<p>ANTI-FISH HOOKING TERMINAL KK,(2.50)/.100</p> <p>PRODUCT CUSTOMER DRAWING</p>					
GENERAL TOLERANCES (UNLESS SPECIFIED)									
		MM	INCH						
4 PLACES	±								
3 PLACES	±	± 0.01							
2 PLACES	±	± 0.25	± 0.014	EC NO: 694111		2022/01/28		DRWN: SANTHN	
1 PLACE	±	± 0.35		CHK'D: GGA		2022/03/31		APPR: GGA	
0 PLACES	±			INITIAL REVISION:		1986/07/30		2004/10/19	
ANGULAR TOL		±	°	DRWN: MCC		2004/10/19		APPR: JDENNEHY	
DRAFT WHERE APPLICABLE MUST REMAIN WITHIN DIMENSIONS				THIRD ANGLE PROJECTION		DRAWING		SERIES	
						C-SIZE		4809	
DOCUMENT NUMBER		DOC TYPE		DOC PART		REVISION		SHEET NUMBER	
SD-4809-X		PSD		001		AP		1 OF 2	
MATERIAL NUMBER		CUSTOMER		SEE CHART		GENERAL MARKET			

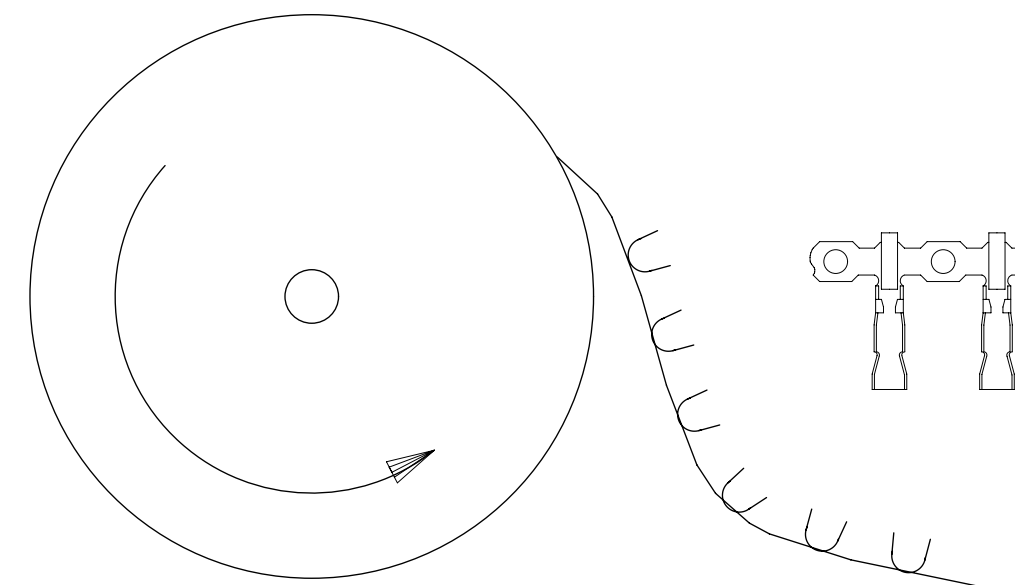
FINISH NOTES:

(550) GOLD PLATE (0.00038)/.000015 MIN. OVER (0.00076)/.000030 MIN. NICKEL

IN CONTACT AREA WITH (0.00005)/.000002 MIN. GOLD FLASH OVERALL.

(555) SELECTIVE GOLD (0.00038)/.000015 MIN. OVER (0.00076)/.000030 MIN. NICKEL IN CONTACT AREA ONL

(P918) HOT TIN DIP (0.00102-0.00305)/.000040-.000120



TERMINALS FEEDING FROM THE TOP OF THE REEL ARE STANDARD WOUND

08 - 55 - 0110	4809 - (555)	CHAIN	( 555 )	(2.45 - 1.75)/ .096 - .069
08 - 56 - 0120	4809 - (550)	CHAIN	( 550 )	(2.45 - 1.75)/ .096 - .069
08 - 50 - 0135	4809 - (P918)	CHAIN	(P918)	(2.45 - 1.75)/ .096 - .069
PART No	ENG No	FORM	FINISH	DIM . A
TOP FEEDING REELS ONLY				

THIS DRAWING CONTAINS INFORMATION THAT IS PROPRIETARY TO MOLEX ELECTRONIC TECHNOLOGIES, LLC AND SHOULD NOT BE USED WITHOUT WRITTEN PERMISSION										
DIMENSION UNITS <b>MM/IN</b>		SCALE <b>1:1</b>		CURRENT REV DESC: OBSOLETE PART NUMBERS AS PER PCN#509450.			<b>molex</b>			
GENERAL TOLERANCES (UNLESS SPECIFIED)				EC NO: 694111						
		MM	INCH	DRWN: SANTHN 2022/01/28			ANTI-FISH HOOKING TERMINAL KK,(2.50)/.100			
4 PLACES	±			CHK'D: GGA 2022/03/31						
3 PLACES	±	0.01		APPR: GGA 2022/03/31			PRODUCT CUSTOMER DRAWING			
2 PLACES	±	0.25	0.014	INITIAL REVISION:						
1 PLACE	±	0.35		DRWN: MCC 1986/07/30			DOCUMENT NUMBER <b>SD-4809-X</b>			
0 PLACES	±			APPR: JDENNEHY 2004/10/19						DOC TYPE <b>PSD</b>
ANGULAR TOL ± °				THIRD ANGLE PROJECTION		DRAWING <b>C-SIZE</b>	SERIES <b>4809</b>	MATERIAL NUMBER SEE CHART	CUSTOMER GENERAL MARKET	SHEET NUMBER 2 OF 2

DOCUMENT STATUS	P1	RELEASE DATE	2022/03/31	10:33:08
-----------------	----	--------------	------------	----------



产品编号：[08550110](#)

Product Description：KK 254 Crimp Terminal 4809, 22-30 AWG, Selective Gold (Au), Reel

系列号：4809

状态：Active

Product Category：Crimp Terminals

工程编号：4809-(555)



## 文件和资源

### 图纸

[图纸 008550110\\_sd.pdf](#)

[包装设计图 48090001-PK-000.pdf](#)


### 规格

[产品规格 PS-10-07-001.pdf](#)

[产品规格 PS-99020-0088-001.pdf](#)

## 产物环境合规

### 合规

GADSL/IMDS	Not Relevant
China RoHS	
EU ELV	Compliant per 2000/53/EC
Low-Halogen Status	Low-Halogen per IEC 61249-2-21
REACH SVHC	Not Contained per D(2023)3788-DC (14 Jun 2023)
EU RoHS	Compliant per EU 2015/863

### 多部分产品合规性声明

- Eu RoHS
- REACH SVHC
- Low-Halogen

### 多部分行业合规性文件

- IPC 1752A Class C

- IPC 1752A Class D
- Molex Product Compliance Declaration
- IEC-62474
- chemSHERPA (xml)

欧盟 RoHS 合格证书

## 产品详情

### 常规

状态	活动
类别	Crimp Terminals
系列	4809
说明	KK 254 Crimp Terminal 4809, 22-30 AWG, Selective Gold (Au), Reel
应用	Signal, Wire-to-Board
产品系列	KK Interconnect Systems
产品名称	KK 254
UPC	800753757059

### 物理

性别	女
材料 - 金属	Brass
材料 - 接合部位电镀	金牌
材料 - 终端电镀	Nickel
净重	0.066/g
包装形式	Reel
最薄镀层 - 接合部位	0.381µm
最薄镀层 - 端接	0.762µm
终端界面类型	Crimp or Compression
导线绝缘直径	1.57mm max.
线径规格 (AWG)	22, 24, 26, 28, 30
线缆尺寸mm <sup>2</sup>	不适用

### 进程

无铅	不适用
----	-----

---

## 施工工具

### 全局

描述	产品编号
Extraction Tool for KK 2.54mm Terminals, 22-30 AWG	<u>0011030022</u>
Terminator Die	<u>0011402102</u>
Insertion Tool for KK 2.54mm Terminals, 22-30 AWG	<u>0638120000</u>
Mini-Mac Applicator for KK and Anti-Fish Hook Terminals for 22- 30 AWG Wire with Insulation Diameter 1.12-1.57mm	<u>0638887100</u>