



产品编号 : 08500135

系列号 : 4809

Product Category : Crimp Terminals

Product Description : KK 254 Crimp Terminal 4809, 22-30 AWG, Hot Tin Dip, Reel

状态 : Active

工程编号 : 4809-(P918)

---

## 文件和资源

### 图纸

图纸 008500135\_sd.pdf

包装设计图 48090001-PK-000.pdf

### 规格


产品规格 PS-99020-0088-001.pdf

产品规格 PS-10-07-001.pdf

---

## 产物环境合规

### 合规

GADSL/IMDS	Not Relevant
China RoHS	
EU ELV	Not Relevant
Low-Halogen Status	Low-Halogen per IEC 61249-2-21
REACH SVHC	Not Contained per D(2023)8585-DC (23 Jan 2024)
EU RoHS	Compliant per EU 2015/863

### 多部分产品合规性声明

- Eu RoHS
- REACH SVHC
- Low-Halogen
  
- IPC 1752A Class C
- IPC 1752A Class D
- Molex Product Compliance Declaration
- IEC-62474
- chemSHERPA (xml)

### 欧盟 RoHS 合格证书

---

## 产品详情

### 常规

状态	活动
类别	Crimp Terminals
系列	4809
说明	KK 254 Crimp Terminal 4809, 22-30 AWG, Hot Tin Dip, Reel
应用	Signal, Wire-to-Board
产品系列	KK Interconnect Systems
产品名称	KK 254
UPC	883906517830

### 物理

性别	女
材料 - 金属	Brass
材料 - 接合部位电镀	Tin
材料 - 终端电镀	Tin
净重	1.780/g
包装形式	Reel
最薄镀层 - 接合部位	1.016µm
最薄镀层 - 端接	1.016µm
终端界面类型	Crimp or Compression
导线绝缘直径	1.57mm max.
线径规格 (AWG)	22, 24, 26, 28, 30
线缆尺寸mm <sup>2</sup>	不适用

---

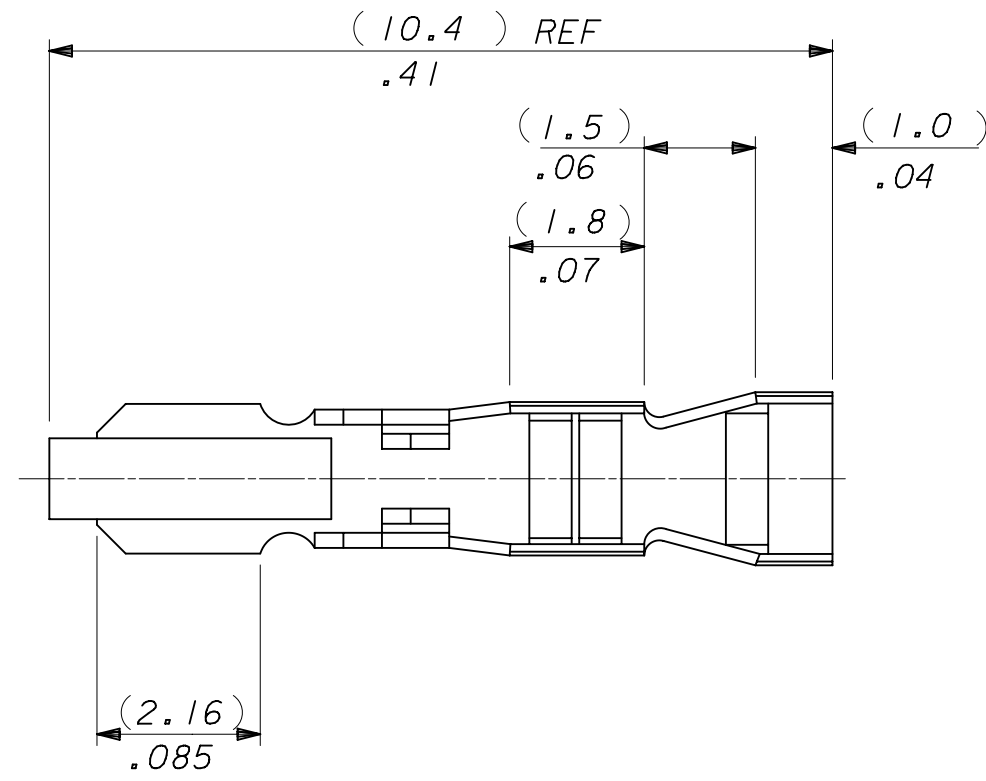
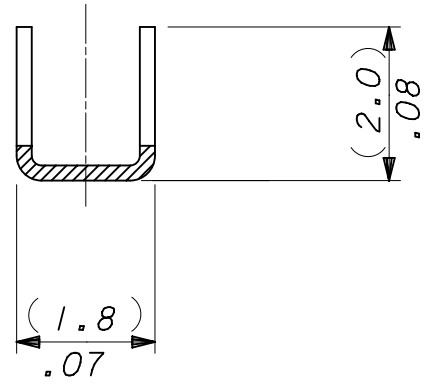
## 施工工具

### 全局

描述	产品编号
Extraction Tool for KK 2.54mm Terminals, 22-30 AWG	<u>11030022</u>
Terminator Die	<u>11402102</u>
Insertion Tool for KK 2.54mm Terminals, 22-30 AWG	<u>638120000</u>

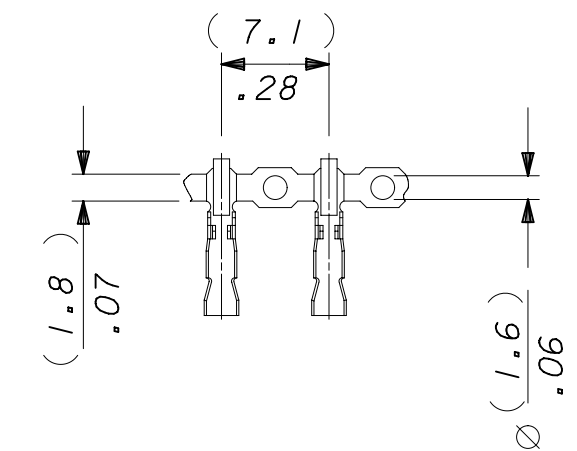
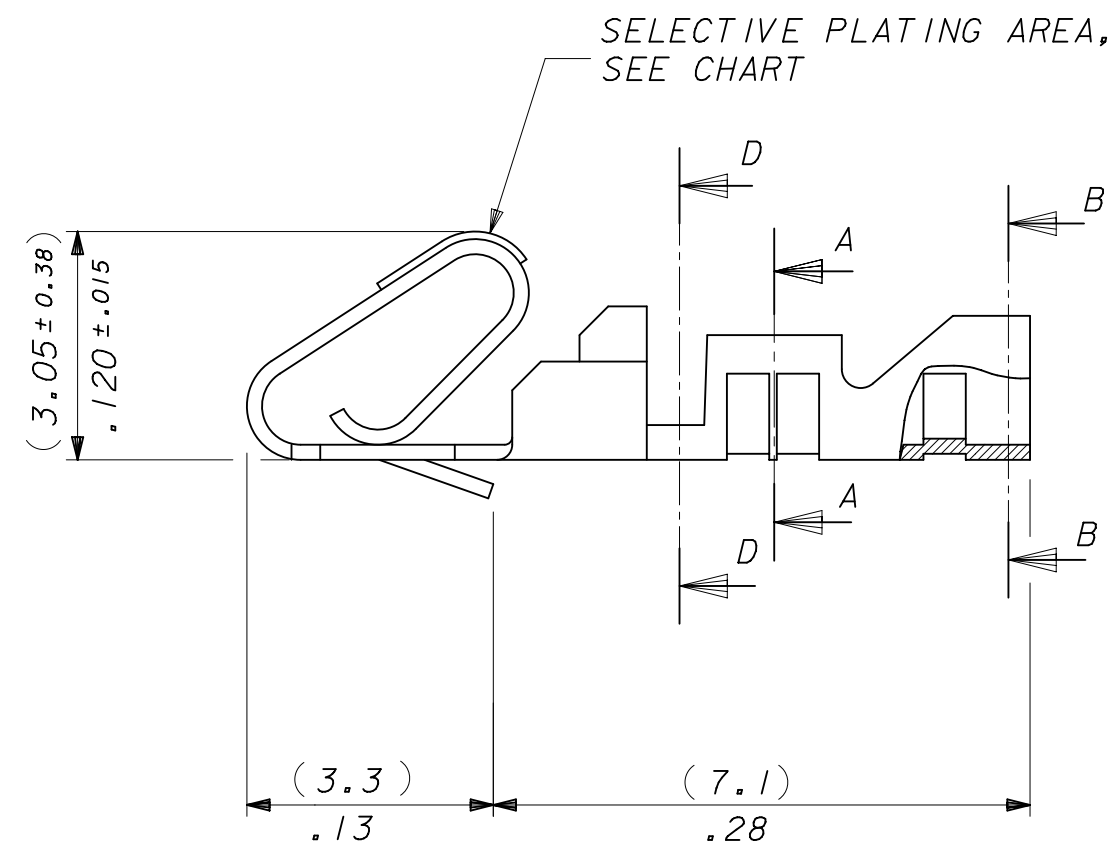
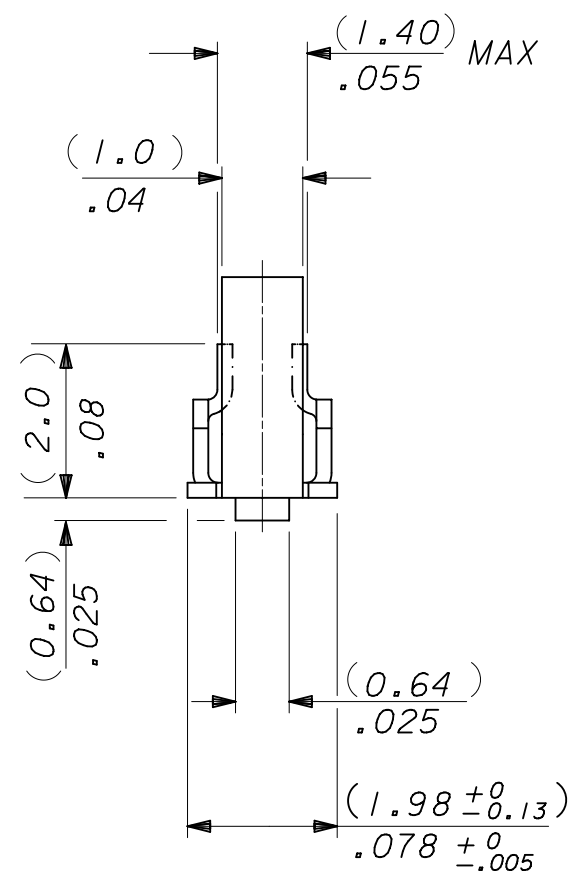
Mini-Mac Applicator for KK and Anti-Fish Hook Terminals for 22- 30 AWG Wire with Insulation Diameter 1.12-1.57mm	<u>638887100</u>
---	------------------

SECTION D-D  
(4809-1T ONLY)

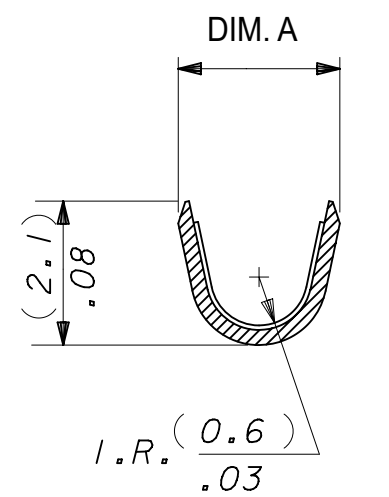


NOTES:

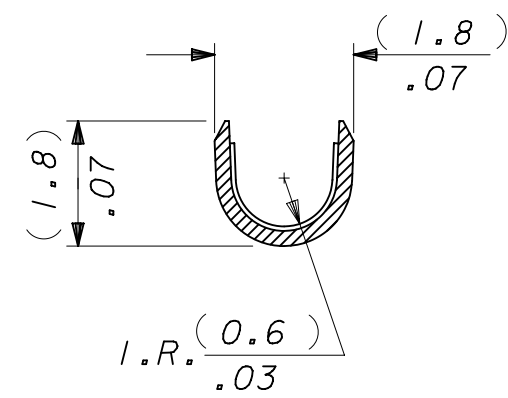
1. MATERIAL: (0.21)/.008 THICK BRASS.
2. FINISH: SEE SHEET 2.
3. THIS PART CONFORMS TO PRODUCT SPEC. 99020-0088.
4. TERMINAL MUST MEET BEND SPEC. SDES-219.
5. SUITABLE FOR 22-30 GA. WIRE, (1.57)/.062 MAX. INSULATION.
6. THIS PART CONFORMS TO CLASS B REQUIREMENTS OF COSMETIC SPECIFICATION PS-45499-002.



CARRIER STRIP DETAIL  
SCALE 2:1



SECTION B-B



SECTION A-A

4809-(\*)\*\*

- BLANK : DIM. A = (2.1) / 1.083 REF.
- M: DIM A = (2.2) / .087 REF.
- BLANK=CHAIN FORM TOP FEEDING REEL
- L=LOOSE FORM

THIS DRAWING CONTAINS INFORMATION THAT IS PROPRIETARY TO MOLEX ELECTRONIC TECHNOLOGIES, LLC AND SHOULD NOT BE USED WITHOUT WRITTEN PERMISSION									
DIMENSION UNITS		SCALE		CURRENT REV DESC: OBSOLETE PART NUMBERS AS PER PCN#509450.				<b>molex</b>	
MM/IN		10:1							
GENERAL TOLERANCES (UNLESS SPECIFIED)				EC NO: 694111				ANTI-FISH HOOKING TERMINAL KK,(2.50)/.100	
				DRWN: SANTHN 2022/01/28					
4 PLACES ±				CHK'D: GGA 2022/03/31				PRODUCT CUSTOMER DRAWING	
3 PLACES ±				APPR: GGA 2022/03/31					
2 PLACES ±				INITIAL REVISION:				DOCUMENT NUMBER	
1 PLACE ±				DRWN: MCC 1986/07/30					
0 PLACES ±				APPR: JDENNEHY 2004/10/19				SD-4809-X	
ANGULAR TOL ± °				THIRD ANGLE PROJECTION		DRAWING		SERIES	
DRAFT WHERE APPLICABLE MUST REMAIN WITHIN DIMENSIONS				C-SIZE		4809		MATERIAL NUMBER	
				SEE CHART		CUSTOMER		SHEET NUMBER	
				GENERAL MARKET		1 OF 2			

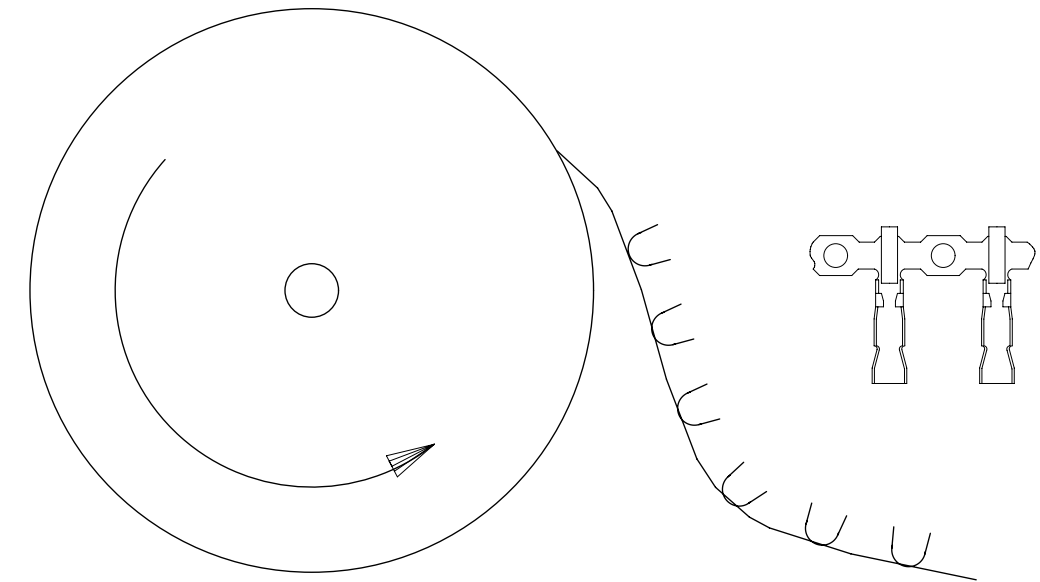
FINISH NOTES:

(550) GOLD PLATE (0.00038)/.000015 MIN. OVER (0.00076)/.000030 MIN. NICKEL

IN CONTACT AREA WITH (0.00005)/.000002 MIN. GOLD FLASH OVERALL.

(555) SELECTIVE GOLD (0.00038)/.000015 MIN. OVER (0.00076)/.000030 MIN. NICKEL IN CONTACT AREA ONL

(P918) HOT TIN DIP (0.00102-0.00305)/.000040-.000120



TERMINALS FEEDING FROM THE TOP OF THE REEL ARE STANDARD WOUND

08 - 55 - 0110	4809 - (555)	CHAIN	( 555 )	(2.45 - 1.75)/ .096 - .069
08 - 56 - 0120	4809 - (550)	CHAIN	( 550 )	(2.45 - 1.75)/ .096 - .069
08 - 50 - 0135	4809 - (P918)	CHAIN	(P918)	(2.45 - 1.75)/ .096 - .069
PART No	ENG No	FORM	FINISH	DIM . A
TOP FEEDING REELS ONLY				

THIS DRAWING CONTAINS INFORMATION THAT IS PROPRIETARY TO MOLEX ELECTRONIC TECHNOLOGIES, LLC AND SHOULD NOT BE USED WITHOUT WRITTEN PERMISSION									
DIMENSION UNITS <b>MM/IN</b>		SCALE <b>1:1</b>		CURRENT REV DESC: OBSOLETE PART NUMBERS AS PER PCN#509450.			<b>molex</b>		
GENERAL TOLERANCES (UNLESS SPECIFIED)				EC NO: 694111					
		MM	INCH	DRWN: SANTHN 2022/01/28			ANTI-FISH HOOKING TERMINAL KK,(2.50)/.100		
4 PLACES		±	±	CHK'D: GGA 2022/03/31					
3 PLACES		±	± 0.01	APPR: GGA 2022/03/31			PRODUCT CUSTOMER DRAWING		
2 PLACES		± 0.25	± 0.014	INITIAL REVISION:					
1 PLACE		± 0.35	±	DRWN: MCC 1986/07/30			DOCUMENT NUMBER <b>SD-4809-X</b>		
0 PLACES		±	±	APPR: JDENNEHY 2004/10/19					
ANGULAR TOL		±	°	THIRD ANGLE PROJECTION			DOC PART <b>001</b>		
DRAFT WHERE APPLICABLE MUST REMAIN WITHIN DIMENSIONS					DRAWING <b>C-SIZE</b>				
					SERIES <b>4809</b>		CUSTOMER <b>GENERAL MARKET</b>		

DOCUMENT STATUS	P1	RELEASE DATE	2022/03/31	10:33:08
-----------------	----	--------------	------------	----------