

产品编号 : [08701039](#)

Product Description : 2.50mm Pitch, Mini-SPOX Female Crimp Terminal, 22-28 AWG, Reel

系列号 : 5263

状态 : Active

Product Category : Crimp Terminals

工程编号 : 5263PBT

Packaging Alternative : 0008701040 (Bag)



文件和资源

图纸

[图纸 008701039_sd.pdf](#)

3D 模型和设计文件

[3D模型 008701039_stp.zip](#)

规格

[包装规格 52639200-SPK-200.pdf](#)

[产品规格 52641001-PS-000.pdf](#)


[产品规格 PS-5264-001-001.pdf](#)

模具规格

[压接规格 CS-5263-001.pdf](#)

产物环境合规

合规

GADSL/IMDS	Compliant with Exemption 44
China RoHS	
EU ELV	Not Relevant
Low-Halogen Status	Low-Halogen per IEC 61249-2-21
REACH SVHC	Not Contained per D(2023)3788-DC (14 Jun 2023)
EU RoHS	Compliant per EU 2015/863

[多部分产品合规性声明](#)

- Eu RoHS
- REACH SVHC
- Low-Halogen

多部分行业合规性文件

- IPC 1752A Class C
- IPC 1752A Class D
- Molex Product Compliance Declaration
- IEC-62474
- chemSHERPA (xml)

欧盟 RoHS 合格证书

产品详情

常规

状态	活动
类别	Crimp Terminals
系列	5263
说明	2.50mm Pitch, Mini-SPOX Female Crimp Terminal, 22-28 AWG, Reel
应用	Signal, Wire-to-Board
产品系列	Mini-SPOX Wire-to-Board Connector System
产品名称	Mini-SPOX
UPC	800753534902

物理

性别	女
材料 - 金属	Phosphor Bronze
材料 - 接合部位电镀	Tin
材料 - 终端电镀	Tin
净重	43.200/mg
包装形式	Reel
最薄镀层 - 接合部位	0.889µm
最薄镀层 - 端接	0.914µm
终端界面类型	Crimp or Compression
导线绝缘直径	1.90mm max.
线径规格 (AWG)	22, 24, 26, 28

线缆尺寸mm ²	不适用
---------------------	-----

可连接使用部件

描述	产品编号
Mini-SPOX Single Row Receptacle Housings	<u>5264</u>

施工工具

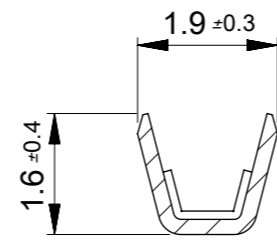
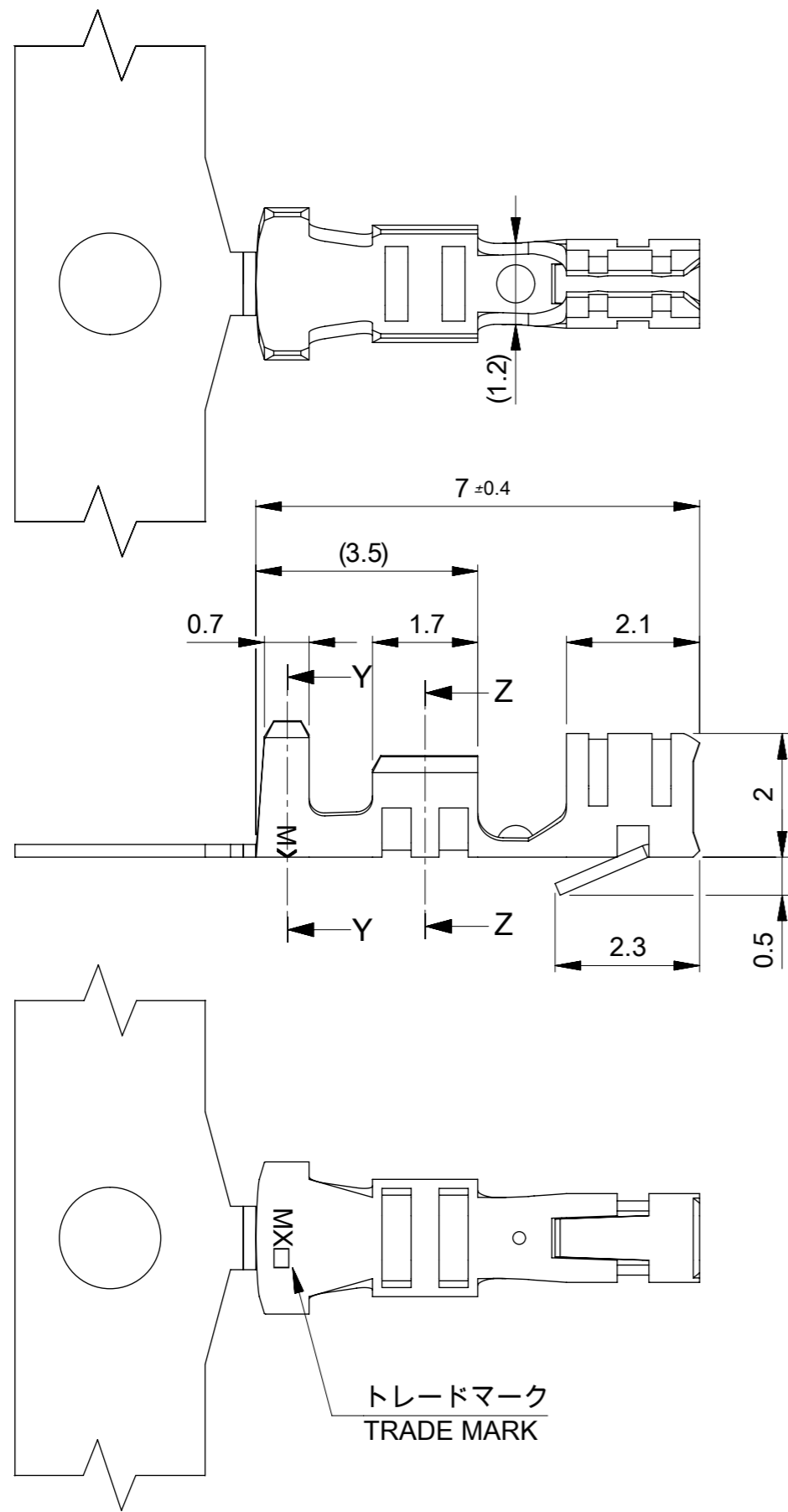
全局

描述	产品编号
Extraction Tool for SPOX, MX64, Ditto, MX150CE, Milli-Grid Terminals	<u>0638131400</u>
Hand Crimp Tool for 2.50mm Pitch SPOX Crimp Terminal, 22-28 AWG	<u>0638281900</u>
FineAdjust Applicator for 2.50mm Pitch Crimp Terminal	<u>0639023100</u>
FineAdjust Applicator for 2.50mm (.098") Pitch SPOX Crimp Terminal	<u>0639026400</u>
T2 Terminator for 2.50mm Pitch Crimp Terminal	<u>0639123100</u>

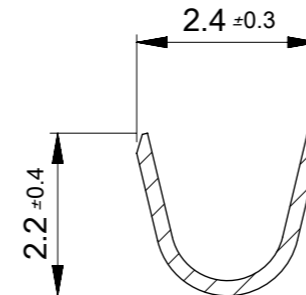
施工工具

日本

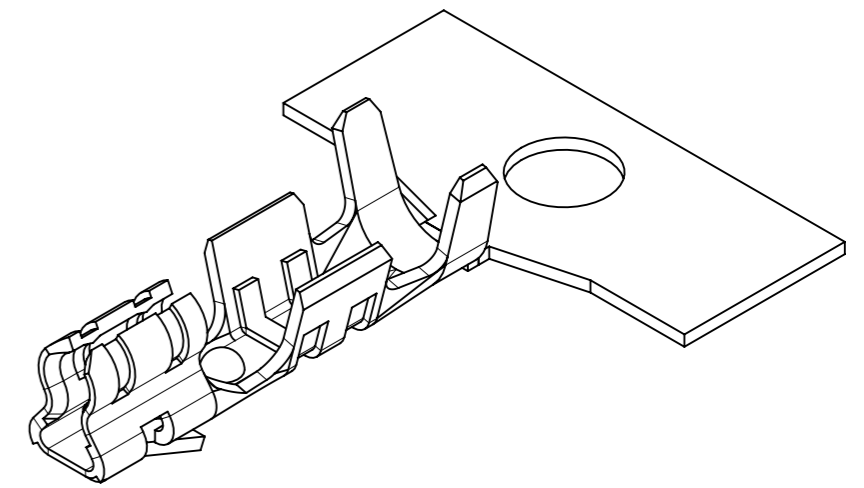
描述	产品编号
S-1 Applicator for SPOX Female Terminals, 22-28 AWG	<u>2023523700</u>



SECTION Z-Z

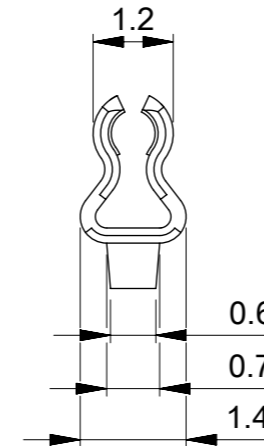


SECTION Y-Y



注記：
NOTES:

- △1 材質及び仕上げ(めっき仕様) : TABLE 1参照
MATERIAL AND FINISHES : SEE TABLE 1
- △2 製品仕様書、適用嵌合相手、適用ハウジングはSHEET 2をご参照ください。
PLEASE REFER TO SHEET 2 FOR PRODUCT SPECIFICATION,
MATE WITH AND APPLICABLE HOUSING.



△1 TABLE 1

∅1.15-1.9mm	AWG#22-28	ポリ袋 POLY BAG	5263PBTL	08701040	バラ状 LOOSE
		リール REEL	5263PBT	08701039	連鎖状 CHAIN
絶縁被覆外径範囲 INSULATION RANGE	適用電線範囲 WIRE RANGE	梱包形態 PACKAGING	ENG. NO.	オーダー番号 ORDER NO.	端子形状 FORM

THIS DRAWING CONTAINS INFORMATION THAT IS PROPRIETARY TO MOLEX ELECTRONIC TECHNOLOGIES, LLC AND SHOULD NOT BE USED WITHOUT WRITTEN PERMISSION					
DIMENSION UNITS	SCALE	CURRENT REV DESC: MIGRATED			
mm	NTS	<p>MINI-SPOX 2.5 W/B RECEPTACLE CRIMP TERMINAL</p> <p>PRODUCT CUSTOMER DRAWING</p>			
GENERAL TOLERANCES (UNLESS SPECIFIED)					
ANGULAR TOL	± 3.0°				
4 PLACES	±				
3 PLACES	±				
2 PLACES	±				
1 PLACE	± 0.2	EC NO: 636780	DRWN: SUDAYGUNAGI	2019/06/24	
0 PLACES	± 0.2	CHK'D: SAKIYAMA	2020/05/13		
DRAFT WHERE APPLICABLE MUST REMAIN WITHIN DIMENSIONS		INITIAL REVISION:	DRWN: SUDAYGUNAGI	2019/06/24	
THIRD ANGLE PROJECTION		APPR: KOMURAKAMI	2020/05/13		
DRAWING	SERIES	MATERIAL NUMBER	CUSTOMER	DOC TYPE	DOC PART
A3-SIZE	5263	SEE CHART	GENERAL	PSD	000
SHEET NUMBER		1 OF 2			

部品 PART	材質 MATERIAL	
ターミナル TERMINAL	母材 BASE METAL	リン青銅 PHOSPHOR BRONZE
	めっき PLATING	錫めっき : 0.9 micro-meter リフロー処理(前めっき) MATTE TIN REFLOW TREATMENT (PRE-PLATING)
DOCUMENT STATUS	P1	RELEASE DATE 2020/05/13 03:50:31

△ 適用製品及び各種仕様書
 APPLICABLE PRODUCTS AND VARIOUS SPECIFICATIONS

梱包仕様書 PACKAGING SPECIFICATION	ORDER NO.	SPECIFICATION NO.
	08701039	52639200-SPK PS 200
	08701040	
適用ハウジング APPLICABLE HOUSING	SINGLE TYPE	
シリーズ番号 SERIES NO.	5264N	
嵌合相手 MATE WITH	VERTICAL	RIGHT ANGLE
シリーズ番号 SERIES NO.	5267NA, 5267NAX	5268NA
製品仕様書 PRODUCT SPECIFICATION	PS-5264-001 PS 001	

製品嵌合図は各"嵌合相手"図面を参照のこと
 MATING VIEW : REFER TO "MATE WITH" PART DRAWING

THIS DRAWING CONTAINS INFORMATION THAT IS PROPRIETARY TO MOLEX ELECTRONIC TECHNOLOGIES, LLC AND SHOULD NOT BE USED WITHOUT WRITTEN PERMISSION									
DIMENSION UNITS	SCALE	CURRENT REV DESC: MIGRATED					molex		
mm	NTS								
GENERAL TOLERANCES (UNLESS SPECIFIED)							MINI-SPOX 2.5 W/B RECEPTACLE CRIMP TERMINAL		
ANGULAR TOL	± 3.0 °						PRODUCT CUSTOMER DRAWING		
4 PLACES	±	EC NO: 636780							
3 PLACES	±	DRWN: SUDAYGUNAGI	2019/06/24						
2 PLACES	±	CHK'D: SAKIYAMA	2020/05/13						
1 PLACE	± 0.2	APPR: KOMURAKAMI	2020/05/13						
0 PLACES	± 0.2	INITIAL REVISION:				DOCUMENT NUMBER	DOC TYPE	DOC PART	REVISION
		DRWN: SUDAYGUNAGI	2019/06/24			52630001-SD	PSD	000	A
		APPR: KOMURAKAMI	2020/05/13						
DRAFT WHERE APPLICABLE MUST REMAIN WITHIN DIMENSIONS	THIRD ANGLE PROJECTION	DRAWING	SERIES	MATERIAL NUMBER	CUSTOMER	SHEET NUMBER			
		A3-SIZE	5263	SEE SHEET 1	GENERAL	2 OF 2			