



产品编号 : 09652028

系列号 : 5273

Product Category : PCB Headers and Receptacles

Product Description : SPOX and KK 396 Wire-to-Board Header, Vertical, with Friction Lock, 2 Circuits

状态 : Active

工程编号 : 5273-02A

---

## 文件和资源

### 图纸

图纸 009652028\_sd.pdf

### 3D 模型和设计文件

3D模型 009652028\_stp.zip

符号足迹数据 SYM-09-65-2028-001.zip

### 规格

包装规格 SPK-5273-001-001.pdf

产品规格 PS-5195-001-001.pdf

产品规格 PS-5195-005-001.pdf

产品规格 PS-5239-002-001.pdf

产品规格 PS-5239-004-001.pdf

产品规格 PS-5239-006-001.pdf

产品规格 PS-5239-007-001.pdf


产品规格 PS-5273-003-001.pdf

产品规格 PS-5273-004-001.pdf

---

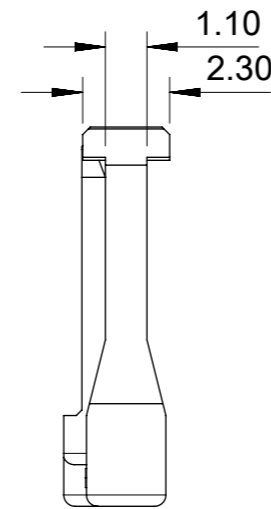
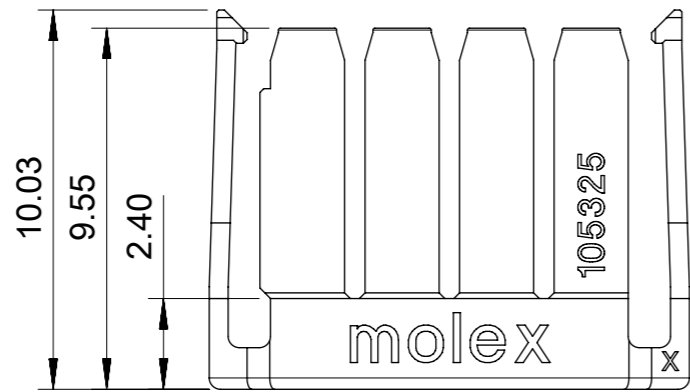
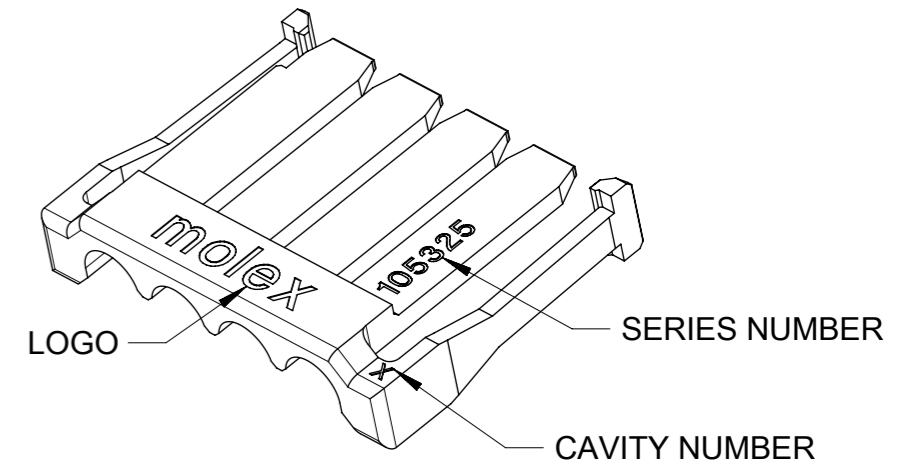
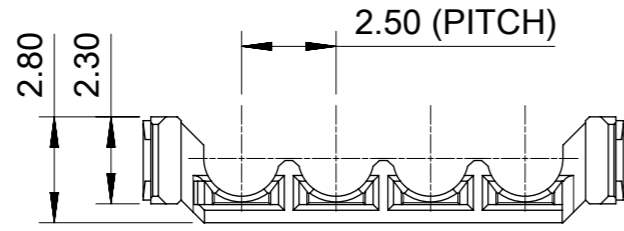
## 产物环境合规

### 合规

GADSL/IMDS	Not Relevant
China RoHS	
EU ELV	Not Relevant
Low-Halogen Status	Low-Halogen per IEC 61249-2-21
REACH SVHC	Not Contained per D(2023)8585-DC (23 Jan 2024)
EU RoHS	Compliant per EU 2015/863

### 多部分产品合规性声明

- Eu RoHS

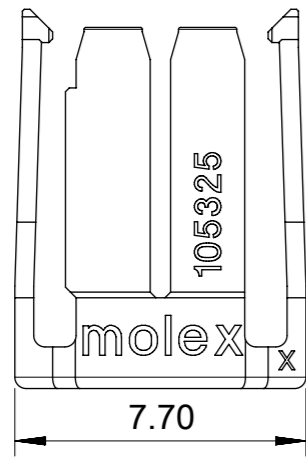


- NOTES:**
1. MATERIAL: PA4T, 30% GLASS FILLED, UL-94V-0.
  2. PRODUCT SPECIFICATION: PS-105300-100.
  3. PACKAGE SPECIFICATION: BAG, PK-105325-100.
  4. THE COMPONENT COMPLIANT TO RoHS DIRECTIVE 2011/65/EU AND ELV DIRECTIVE 2000/53/EC.
  5. PRODUCT MATES WITH SERIES OF 105307 AND 105308 (RECEPTACLE).
  6. PARTS CONFORM TO CLASS 'B' REQUIREMENTS OF COSMETIC SPECIFICATION PS-45499-002.

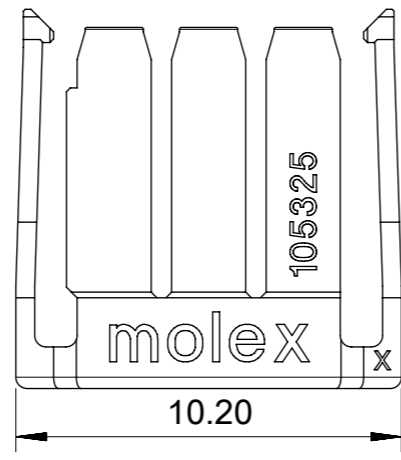
THIS DRAWING CONTAINS INFORMATION THAT IS PROPRIETARY TO MOLEX ELECTRONIC TECHNOLOGIES, LLC AND SHOULD NOT BE USED WITHOUT WRITTEN PERMISSION																	
<b>QUALITY SYMBOLS</b> 	EC NO: 103921 DRWN: GLLI CHK'D: AYIN REV APPR: AYIN	<b>GENERAL TOLERANCES (UNLESS SPECIFIED)</b> ANGULAR TOL ± 3.0 °		DIMENSION UNITS	SCALE	 <b>TPA OF NANO-FIT RECEPTACLE, POWER CONNECTOR</b>											
		4 PLACES ±		mm	5:1												
		3 PLACES ± 0.1		DRWN BY	DATE												
		2 PLACES ± 0.2		GLLI	2014/12/12	CHK'D BY		DATE		PRODUCT CUSTOMER DRAWING							
		1 PLACE ± 0.3		AYIN		2015/08/24		APPR BY		DATE		SERIES		MATERIAL NUMBER		CUSTOMER	
		0 PLACES ±		DRAFT WHERE APPLICABLE MUST REMAIN WITHIN DIMENSIONS		DRAWING SIZE		THIRD ANGLE PROJECTION		105325		SEE SHEET 2		GENERAL MARKET			
				A3				DOCUMENT NUMBER		DOC TYPE		DOC PART		SHEET NUMBER			
								SD-105325-100		PSD		000		1 OF 2			

RELEASE STATUS	RELEASE DATE	07:07:27
----------------	--------------	----------

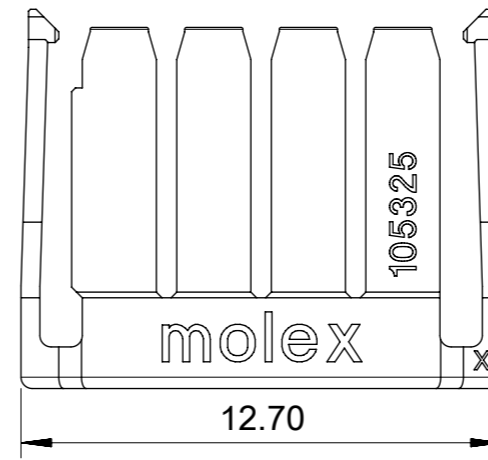
9 8 7 6 5 4 3 2 1



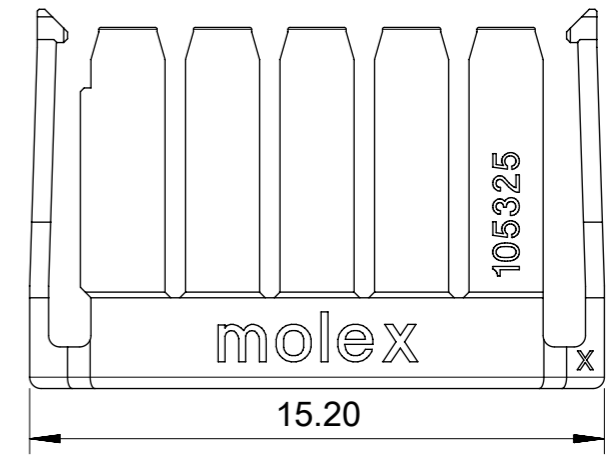
BLACK: 105325-1002  
NATURAL: 105325-2002



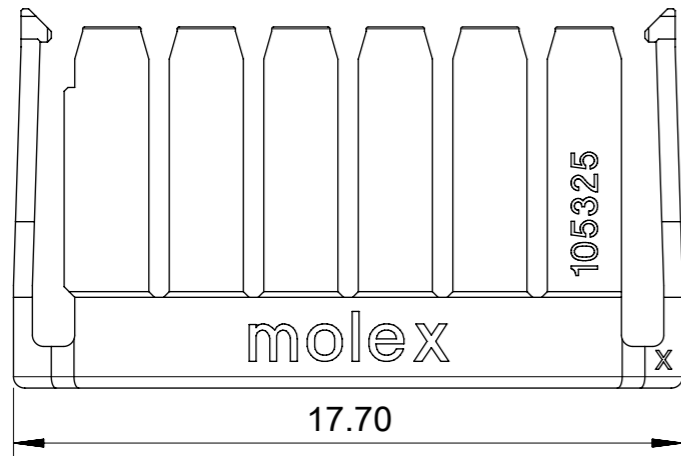
BLACK: 105325-1003  
NATURAL: 105325-2003



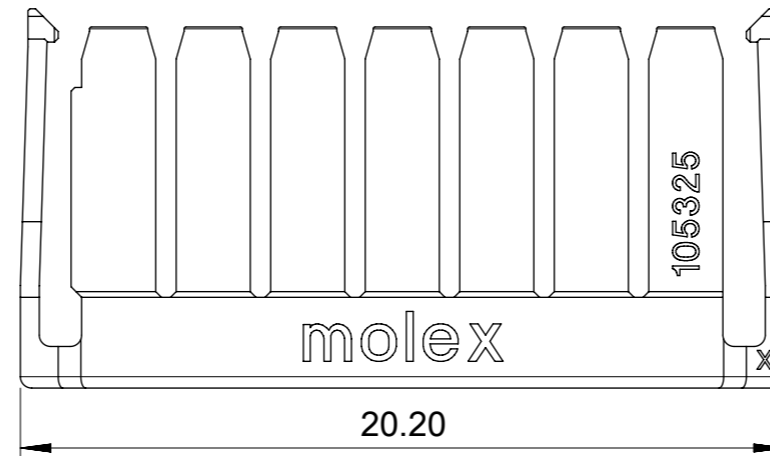
BLACK: 105325-1004  
NATURAL: 105325-2004



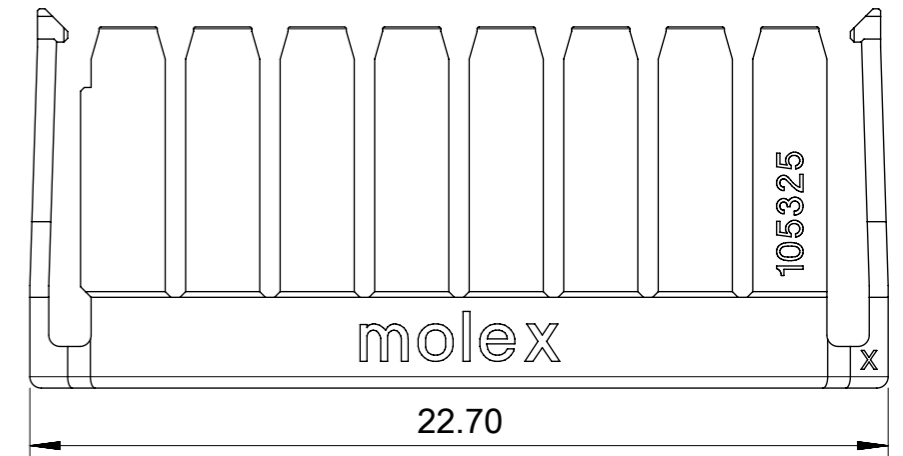
BLACK: 105325-1005  
NATURAL: 105325-2005



BLACK: 105325-1006  
NATURAL: 105325-2006



BLACK: 105325-1007  
NATURAL: 105325-2007



BLACK: 105325-1008  
NATURAL: 105325-2008

<b>QUALITY SYMBOLS</b> 	THIS DRAWING CONTAINS INFORMATION THAT IS PROPRIETARY TO MOLEX ELECTRONIC TECHNOLOGIES, LLC AND SHOULD NOT BE USED WITHOUT WRITTEN PERMISSION									
	2016/03/31 DRWN: GLLI 2016/04/27 CHK'D: AYIN 2016/04/27 APPR: AYIN	GENERAL TOLERANCES (UNLESS SPECIFIED)		DIMENSION UNITS	SCALE					
		ANGULAR TOL ± 3.0 °		mm	5:1					
	EC NO: 103921 DRWN: GLLI CHK'D: AYIN APPR: AYIN	4 PLACES ±	DRAFT WHERE APPLICABLE MUST REMAIN WITHIN DIMENSIONS	A3	THIRD ANGLE PROJECTION	PRODUCT CUSTOMER DRAWING				
		3 PLACES ± 0.1				SERIES: 105325    MATERIAL NUMBER: SEE REMARK    CUSTOMER: GENERAL MARKET				
	B REV	2 PLACES ± 0.2	DRWN BY: GLLI DATE: 2014/12/12	CHK'D BY: GLLI DATE: 2015/08/24	DOCUMENT NUMBER: SD-105325-100    DOC TYPE: PSD    DOC PART: 000    SHEET NUMBER: 2 OF 2					
		1 PLACE ± 0.3								
	0 PLACES ±									

9 8 7 6 5 4 3 2 1

- REACH SVHC
- Low-Halogen
- IPC 1752A Class C
- IPC 1752A Class D
- Molex Product Compliance Declaration
- IEC-62474
- chemSHERPA (xml)

欧盟 RoHS 合格证书

---

## 产品详情

### 常规

状态	活动
类别	PCB Headers and Receptacles
系列	5273
说明	SPOX and KK 396 Wire-to-Board Header, Vertical, with Friction Lock, 2 Circuits
应用	Power, Wire-to-Board
元件类型	PCB Header
产品系列	KK Interconnect Systems
产品名称	KK 396, SPOX
UPC	800753613645

### 机构

CSA	LR19980
UL	E29179

### 电气

每触点最大电流	7.0A
电压 - 最大	250V

### 物理

断开	否
回路数 (已载入)	2
电路数 (最多)	2
颜色-树脂	Natural

耐用性(插拔次数) - 最多次数	30
先接后断	否
阻燃性	94V-2
符合灼热丝规范	否
可配插产品指南	否
插接极性	无
锁定插接部位	是
材料 - 金属	Brass
材料 - 接合部位电镀	Tin
材料 - 终端电镀	Nickel
材料 - 树脂	Nylon
净重	664.600/mg
行数	1
方向	垂直
包装形式	Bag
PC 焊脚长度	3.60mm
PCB 定位器	否
PCB 保持力	无
推荐的 PCB 厚度	1.60mm
间距 - 插配接口	3.96mm
间距 - 终端界面	3.96mm
最薄镀层 - 接合部位	5.080µm
最薄镀层 - 端接	5.080µm
PCB 极性	否
有护墙的	Partial
可堆叠的	否
运行温度范围	-40° to +105° C
终端界面类型	Through Hole

## 可配插/可连接使用的产品

### 可配插部件

描述	产品编号
SPOX 3.96mm Pitch Single Row Receptacle Housings	<u>5195</u>

---

---

This document was generated on Jun 30, 2024