



产品编号 : [1053002400](#)

Product Description : Nano-Fit Crimp Terminal, Female, 0.76µm Gold (Au) Plating, Lubricated, 20-22 AWG

系列号 : 105300

状态 : Active

Product Category : Crimp Terminals



文件和资源

图纸

[图纸 1053002400_sd.pdf](#)

[包装设计图 PK-105300-100-000.pdf](#)

规格

[应用规格 AS-105300-100-001.pdf](#)

[产品规格 1053001000-PS-CH-000.pdf](#)

[产品规格 1053001000-PS-ES-000.pdf](#)

[产品规格 1053001000-PS-JP-000.pdf](#)

[产品规格 1053001000-PS-SK-000.pdf](#)

[产品规格 PS-105300-100-001.pdf](#)

[测试摘要 1053000000-TS-000.pdf](#)

产物环境合规

合规

GADSL/IMDS	Not Relevant
China RoHS	
EU ELV	Not Relevant
Low-Halogen Status	Low-Halogen per IEC 61249-2-21
REACH SVHC	Not Contained per D(2023)3788-DC (14 Jun 2023)
EU RoHS	Compliant per EU 2015/863

多部分产品合规性声明

- Eu RoHS
- REACH SVHC
- Low-Halogen

多部分行业合规性文件

- IPC 1752A Class C
- IPC 1752A Class D
- Molex Product Compliance Declaration
- IEC-62474
- chemSHERPA (xml)

欧盟 RoHS 合格证书

产品详情

常规

状态	活动
类别	Crimp Terminals
系列	105300
说明	Nano-Fit Crimp Terminal, Female, 0.76 μ m Gold (Au) Plating, Lubricated, 20-22 AWG
应用	Power, Wire-to-Board
产品系列	Nano-Fit Power Connectors
产品名称	Nano-Fit
UPC	193264169672

电气

每触点最大电流	8.0A
电压 - 最大	250V AC (RMS)/DC

物理

耐用性(插拔次数) - 最多次数	50
性别	女
材料 - 金属	High Conductivity Copper
材料 - 接合部位电镀	金牌
材料 - 终端电镀	Tin
净重	0.100/g
包装形式	Reel
最薄镀层 - 接合部位	0.762 μ m
最薄镀层 - 端接	1.250 μ m
终端界面类型	Crimp or Compression

导线绝缘直径	1.60mm
线径规格 (AWG)	20, 22
线缆尺寸mm ²	0.30-0.50

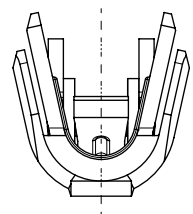
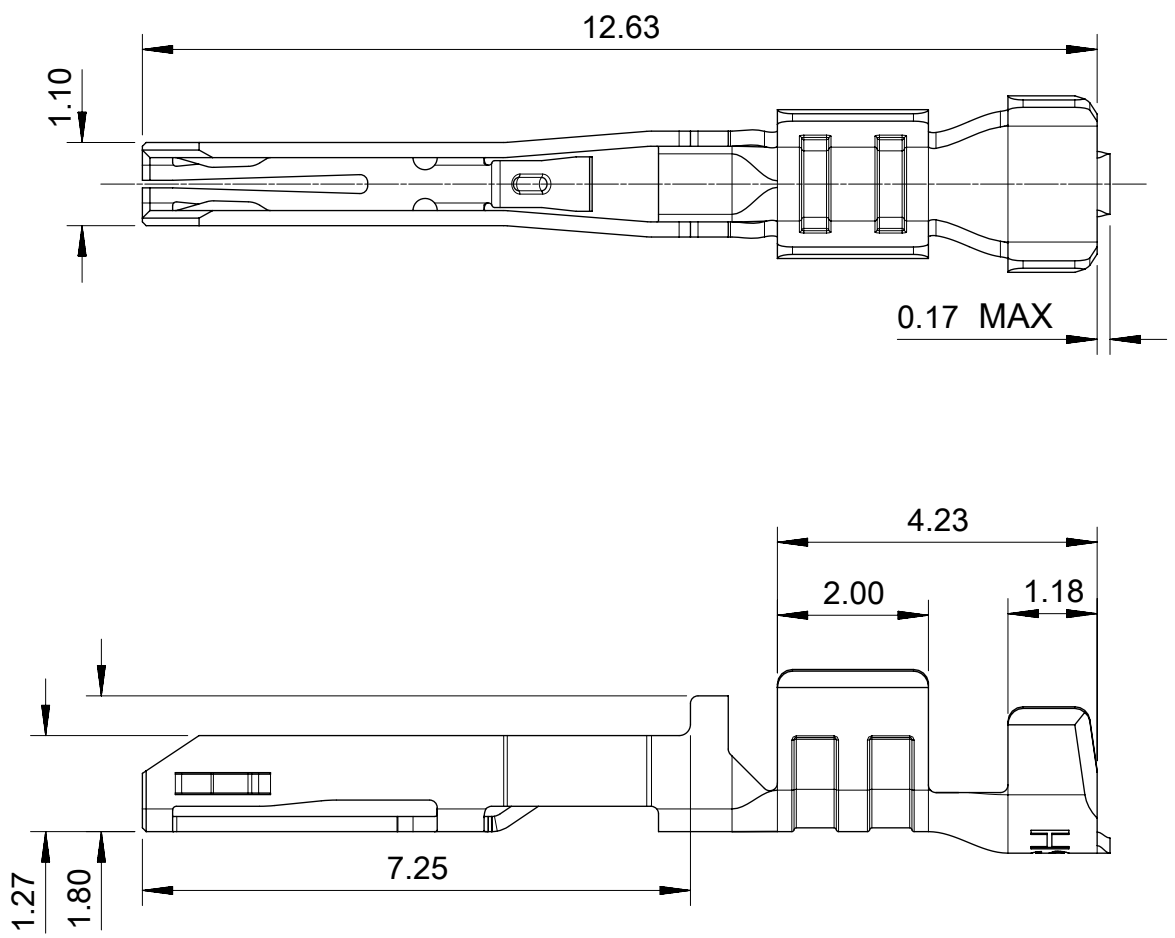
可连接使用部件

描述	产品编号
Nano-Fit TPA Capable Single Row Receptacle Housings	<u>105307</u>
Nano-Fit TPA Capable Dual Row Receptacle Housings	<u>105308</u>

施工工具

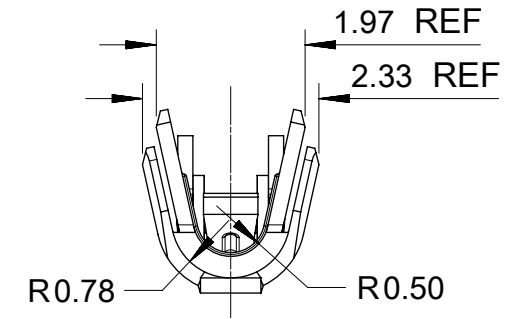
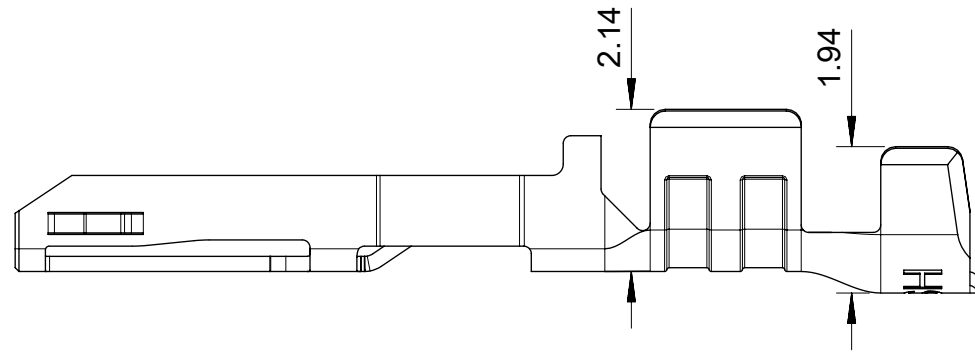
全局

描述	产品编号
Extraction Tool for Nano-Fit Power Connectors and Crimp Terminals, 20-26 AWG	<u>0638244600</u>
Hand Crimp Tool for Nano-Fit Receptacle Terminals, 20-22 AWG UL1061 wire and 22 AWG UL1007 wire	<u>0638275600</u>
FineAdjust Applicator for Nano-Fit Terminals, for 20-22 AWG UL1061 Wire with Insulation Diameter 1.05-1.60mm	<u>0639032400</u>

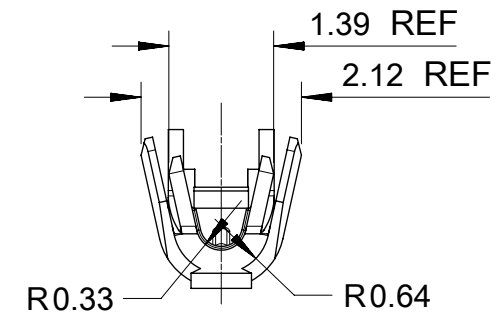
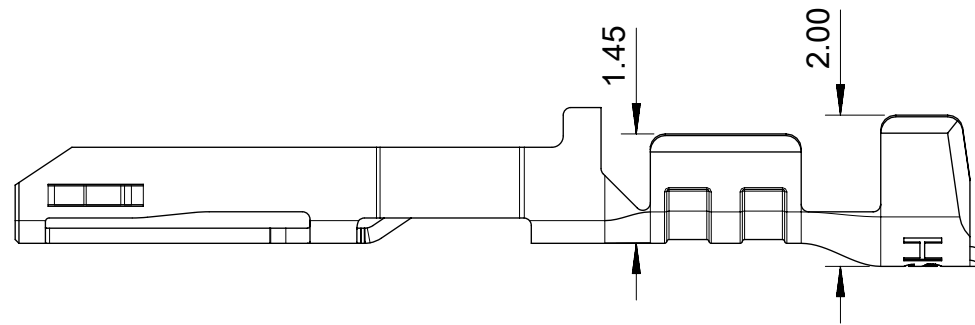


- NOTES:
1. MATERIAL: HIGH CONDUCTIVITY COPPER ALLOY.
 2. PLATING FINISH SEE CHART IN SHEET 3.
 3. PRODUCT SPECIFICATION: PS-105300-100.
 4. PACKAGE SPECIFICATION: PK-105300-100.
 5. THE COMPONENT COMPLIANT TO RoHS DIRECTIVE 2011/65/EU AND ELV DIRECTIVE 2000/53/EC.
 6. PRODUCT APPLY TO RECEPTACLE HOUSING OF 105307-**** AND 105308-****.
 7. PARTS CONFORM TO CLASS 'B' REQUIREMENTS OF COSMETIC SPECIFICATION PS-45499-002.
 8. APPLICATION SPECIFICATION: AS-105300-100.
 9. RECOMMENDED INSULATOR:
20AWG WIRE, OD 1.60MM MAX.
24AWG WIRE, OD 1.30MM MAX.

THIS DRAWING CONTAINS INFORMATION THAT IS PROPRIETARY TO MOLEX ELECTRONIC TECHNOLOGIES, LLC AND SHOULD NOT BE USED WITHOUT WRITTEN PERMISSION									
DIMENSION UNITS	SCALE	CURRENT REV DESC:							
mm	10:1								
GENERAL TOLERANCES (UNLESS SPECIFIED)		EC NO: 749038			CRIMP TERMINAL OF NANO-FIT, GOLD PLATING POWER CONNECTOR PRODUCT CUSTOMER DRAWING				
ANGULAR TOL ± 3.0°		DRWN: GLLI 2023/05/10							
4 PLACES ±	CHK'D: XQZHANG 2023/05/25			DOCUMENT NUMBER: SD-105300-100 DOC TYPE: PSD DOC PART: 000 REVISION: G4					
3 PLACES ±	APPR: XQZHANG 2023/05/25								
2 PLACES ± 0.15	INITIAL REVISION:			MATERIAL NUMBER: 105300 CUSTOMER: GENERAL MARKET SHEET NUMBER: 1 OF 3					
1 PLACE ± 0.2	DRWN: GLLI 2015/03/18								
0 PLACES ±	APPR: AYIN 2015/04/08								
DRAFT WHERE APPLICABLE MUST REMAIN WITHIN DIMENSIONS		THIRD ANGLE PROJECTION	DRAWING	SERIES					
			A3-SIZE	105300					

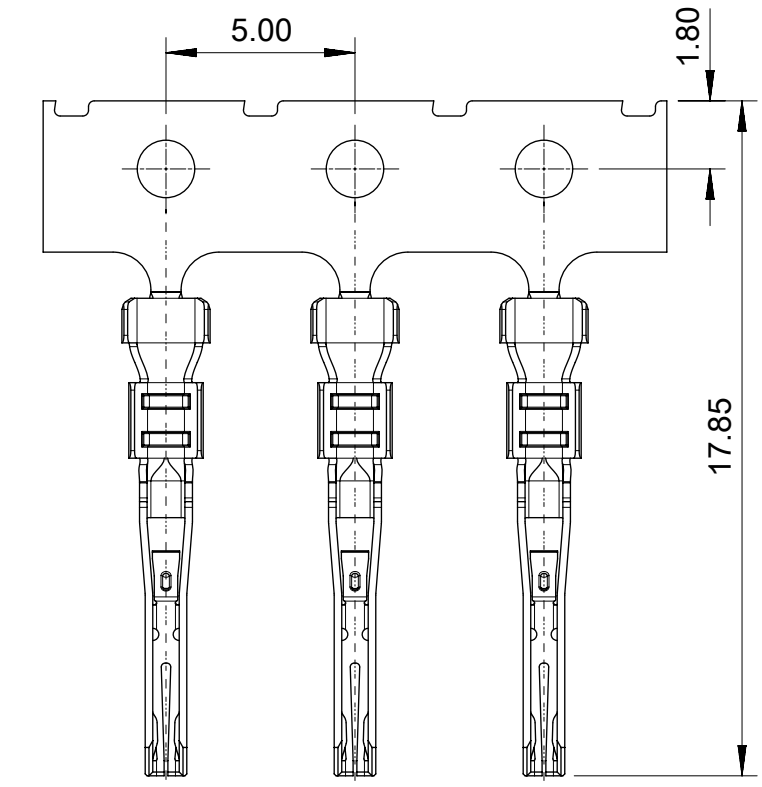
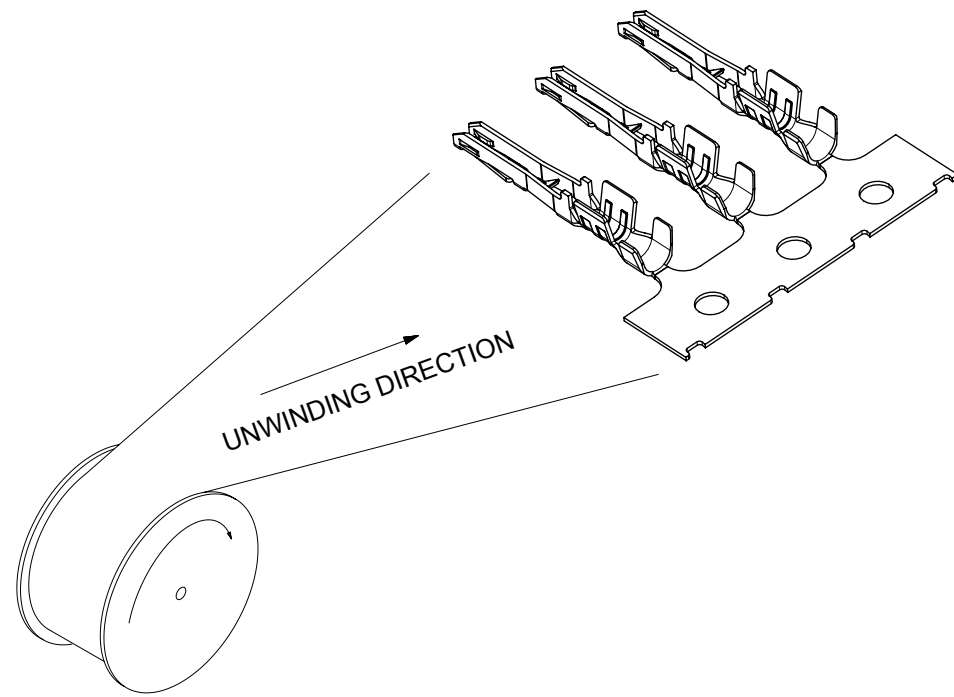


ONLY FOR WIRE OF AWG 20/22



ONLY FOR WIRE OF AWG 24/26

THIS DRAWING CONTAINS INFORMATION THAT IS PROPRIETARY TO MOLEX ELECTRONIC TECHNOLOGIES, LLC AND SHOULD NOT BE USED WITHOUT WRITTEN PERMISSION									
DIMENSION UNITS		SCALE		CURRENT REV DESC:					
mm		10:1							
GENERAL TOLERANCES (UNLESS SPECIFIED)				EC NO: 749038				CRIMP TERMINAL OF NANO-FIT, GOLD PLATING POWER CONNECTOR	
ANGULAR TOL ± 3.0 °				DRWN: GLLI 2023/05/10				PRODUCT CUSTOMER DRAWING	
4 PLACES ±				CHK'D: XQZHANG 2023/05/25				DOCUMENT NUMBER	
3 PLACES ±				APPR: XQZHANG 2023/05/25				SD-105300-100	
2 PLACES ± 0.15				INITIAL REVISION:				DOC TYPE	
1 PLACE ± 0.2				DRWN: GLLI 2015/03/18				PSD	
0 PLACES ±				APPR: AYIN 2015/04/08				DOC PART	
DRAFT WHERE APPLICABLE MUST REMAIN WITHIN DIMENSIONS				THIRD ANGLE PROJECTION		DRAWING		REVISION	
						A3-SIZE		G4	
				SERIES		MATERIAL NUMBER		SHEET NUMBER	
				105300		GENERAL MARKET		2 OF 3	



	PART NUMBER (WITH LUBE)	PART NUMBER (WITHOUT LUBE)	PLATING TYPE	WIRE SIZE(AWG)	REMARK
CHAIN	N/A	105300-1200	B	24/26	GENERAL MARKET
	105300-1400	105300-1300	C		
	N/A	105300-1810	D		
	N/A	105300-2200	B	20/22	
	105300-2400	105300-2300	C		
	N/A	105300-1900	D		
LOOSE*	N/A	105300-1600	B	24/26	ONLY BE SOLD BY MOLEX FRANCHISED DISTRIBUTORS
	105300-1800	105300-1700	C		
	N/A	105300-1820	D		
	N/A	105300-2600	B	20/22	
	105300-2800	105300-2700	C		
	N/A	105300-1920	D		

*DISTRIBUTORS MUST PURCHASE CHAIN PART NUMBER AND CREATE LOOSE PIECE PRODUCT.

PLATING SPECIFICATION	
B	GOLD PLATING 0.38 MICRONS MINIMUM ON CONTACT AREA, MATTE TIN 1.25 MICRONS MINIMUM ON CRIMP AREA, UNDER NICKEL PLATING 1.25 MICRONS MINIMUM OVERALL.
C	GOLD PLATING 0.76 MICRONS MINIMUM ON CONTACT AREA, MATTE TIN 1.25 MICRONS MINIMUM ON CRIMP AREA, UNDER NICKEL PLATING 1.25 MICRONS MINIMUM OVERALL.
D	GOLD PLATING 0.025 MICRONS MINIMUM ON CONTACT AREA, MATTE TIN 1.25 MICRONS MINIMUM ON CRIMP AREA, UNDER NICKEL PLATING 1.25 MICRONS MINIMUM OVERALL.

THIS DRAWING CONTAINS INFORMATION THAT IS PROPRIETARY TO MOLEX ELECTRONIC TECHNOLOGIES, LLC AND SHOULD NOT BE USED WITHOUT WRITTEN PERMISSION									
DIMENSION UNITS	SCALE	CURRENT REV DESC:							
mm	5:1	<div style="text-align: center;">molex</div> CRIMP TERMINAL OF NANO-FIT, GOLD PLATING POWER CONNECTOR PRODUCT CUSTOMER DRAWING							
GENERAL TOLERANCES (UNLESS SPECIFIED)									
ANGULAR TOL	± 3.0°								
4 PLACES	±								
3 PLACES	±								
2 PLACES	± 0.15	EC NO: 749038	2023/05/10		DOCUMENT NUMBER				
1 PLACE	± 0.2	DRWN: GLLI	2023/05/25		SD-105300-100		DOC TYPE	DOC PART	REVISION
0 PLACES	±	CHK'D: XQZHANG	2023/05/25		2015/03/18		PSD	000	G4
DRAFT WHERE APPLICABLE MUST REMAIN WITHIN DIMENSIONS		APPR: XQZHANG	2023/05/25		2015/04/08		SHEET NUMBER		
THIRD ANGLE PROJECTION		APPR: AYIN	2015/04/08		A3-SIZE		GENERAL MARKET		3 OF 3