



产品编号 : [1053071202](#)

Product Description : Nano-Fit Receptacle Housing, TPA Capable, 2.50mm Pitch, Single Row, 2 Circuits, Black, Glow-Wire Capable

系列号 : 105307

状态 : Active

Product Category : Connector Housings



文件和资源

图纸

[图纸 1053071202_sd.pdf](#)

[包装设计图 PK-105307-100-000.pdf](#)

3D 模型和设计文件

[3D模型 1053071202_stp.zip](#)

规格

[应用规格 AS-105300-100-001.pdf](#)

[产品规格 1053001000-PS-CH-000.pdf](#)

[产品规格 1053001000-PS-ES-000.pdf](#)

[产品规格 1053001000-PS-JP-000.pdf](#)

[产品规格 1053001000-PS-SK-000.pdf](#)

[产品规格 PS-105300-100-001.pdf](#)

[测试摘要 1053000000-TS-000.pdf](#)

[测试摘要 1053001000-TS-000.pdf](#)

产物环境合规

合规

GADSL/IMDS	Not Relevant
China RoHS	
EU ELV	Compliant per 2000/53/EC
Low-Halogen Status	Low-Halogen per IEC 61249-2-21
REACH SVHC	Not Contained per D(2023)3788-DC (14 Jun 2023)
EU RoHS	Compliant per EU 2015/863

多部分产品合规性声明

- Eu RoHS

- REACH SVHC

- Low-Halogen

多部分行业合规性文件

- IPC 1752A Class C

- IPC 1752A Class D

- Molex Product Compliance Declaration

- IEC-62474

- chemSHERPA (xml)

欧盟 RoHS 合格证书

产品详情

常规

状态	活动
类别	Connector Housings
系列	105307
说明	Nano-Fit Receptacle Housing, TPA Capable, 2.50mm Pitch, Single Row, 2 Circuits, Black, Glow-Wire Capable
应用	Power, Wire-to-Board, Wire-to-Wire
个评论	Operating temperature is -40° to +105° for tin and -40° to +115° for gold
产品系列	Nano-Fit Power Connectors
产品名称	Nano-Fit
UPC	889056026437

机构

CSA	LR19980
UL	E29179

物理

电路数（最多）	2
颜色-树脂	黑色
阻燃性	94V-0
性别	Receptacle
符合灼热丝规范	是

插接极性	是
锁定插接部位	是
材料 - 树脂	Nylon
净重	0.374/g
行数	1
包装形式	Bag
面板安装式	否
间距 - 插配接口	2.50mm
间距 - 终端界面	2.50mm
有极性的插配件	是
运行温度范围	-40° to +105° C, -40° to +115° C

可配插/可连接使用的产品

可配插部件

描述	产品编号
Nano-Fit Vertical Header, Through Hole, 2.50mm Pitch, Single Row, 2 Circuits, with Kinked Pins, Tin (Sn) Plating, Black, Glow-Wire Capable, Tray	<u>1053091102</u>
Nano-Fit Vertical Header, Through Hole, 2.50mm Pitch, Single Row, 2 Circuits, with Kinked Pins, 0.38µm Gold (Au) Plating, Black, Glow-Wire Capable, Tray	<u>1053091202</u>
Nano-Fit Vertical Header, Through Hole, 2.50mm Pitch, Single Row, 2 Circuits, with Kinked Pins, 0.76µm Gold (Au) Plating, Black, Glow-Wire Capable, Tray	<u>1053091302</u>
Nano-Fit Vertical Header, Through Hole, 2.50mm Pitch, Single Row, 2 Circuits, with Kinked Pins, 0.76µm Gold (Au) Plating, Lubricated, Black, Glow-Wire Capable, Tray	<u>1053091402</u>
Nano-Fit Vertical Header, Through Hole, 2.50mm Pitch, Single Row, 2 Circuits, with Solder Clips, Tin (Sn) Plating, Black, Glow-Wire Capable, Tray	<u>1053111102</u>

Nano-Fit Vertical Header, Through Hole, 2.50mm Pitch, Single Row, 2 Circuits, with Solder Clips, 0.38 μ m Gold (Au) Plating, Black, Glow-Wire Capable, Tray	<u>1053111202</u>
Nano-Fit Vertical Header, Through Hole, 2.50mm Pitch, Single Row, 2 Circuits, with Solder Clips, 0.76 μ m Gold (Au) Plating, Black, Glow-Wire Capable, Tray	<u>1053111302</u>
Nano-Fit Vertical Header, Surface Mount, 2.50mm Pitch, Single Row, 2 Circuits, 0.76 μ m Tin (Sn) Plating, Black, Glow-Wire Capable	<u>1054311102</u>
Nano-Fit Vertical Header, Surface Mount, 2.50mm Pitch, Single Row, 2 Circuits, 0.38 μ m Gold (Au) Plating, Black, Glow-Wire Capable	<u>1054311202</u>
Nano-Fit Vertical Header, Surface Mount, 2.50mm Pitch, Single Row, 2 Circuits, 0.76 μ m Gold (Au) Plating, Black, Glow-Wire Capable	<u>1054311302</u>
Nano-Fit Vertical Header, Surface Mount, 2.50mm Pitch, Single Row, 2 Circuits, 0.76 μ m Gold (Au) Plating, Lubricated, Black, Glow-Wire Capable	<u>1054311402</u>
Nano-Fit Right-Angle Header, Through Hole, 2.50mm Pitch, Single Row, 2 Circuits, Tin (Sn) Plating, Black, Glow-Wire Capable, Tray	<u>1053131102</u>
Nano-Fit Right-Angle Header, Through Hole, 2.50mm Pitch, Single Row, 2 Circuits, 0.38 μ m Gold (Au) Plating, Black, Glow-Wire Capable, Tray	<u>1053131202</u>
Nano-Fit Right-Angle Header, Through Hole, 2.50mm Pitch, Single Row, 2 Circuits, 0.76 μ m Gold (Au) Plating, Black, Glow-Wire Capable, Tray	<u>1053131302</u>
Nano-Fit Right-Angle Header, Surface Mount, 2.50mm Pitch, Single Row, 2 Circuits, 0.76 μ m Tin (Sn) Plating, Black, Glow-Wire Capable	<u>1054301102</u>
Nano-Fit Right-Angle Header, Surface Mount, 2.50mm Pitch, Single Row, 2 Circuits, 0.38 μ m Gold (Au) Plating, Black, Glow-Wire Capable	<u>1054301202</u>

Nano-Fit Right-Angle Header, Surface Mount, 2.50mm Pitch, Single Row, 2 Circuits, 0.76µm Gold (Au) Plating, Black, Glow-Wire Capable	<u>1054301302</u>
Nano-Fit Right-Angle Header, Surface Mount, 2.50mm Pitch, Single Row, 2 Circuits, 0.76µm Gold (Au) Plating, Lubricated, Black, Glow-Wire Capable	<u>1054301402</u>
Nano-Fit Plug Housing, TPA Capable, 2.50mm Pitch, Single Row, 2 Circuits, Black, Glow-Wire Capable	<u>2002771102</u>
Nano-Fit Plug Housing, TPA Capable, 2.50mm Pitch, Single Row, 2 Circuits, Black, Panel Mount, Glow-Wire Capable	<u>2002771202</u>

可连接使用部件

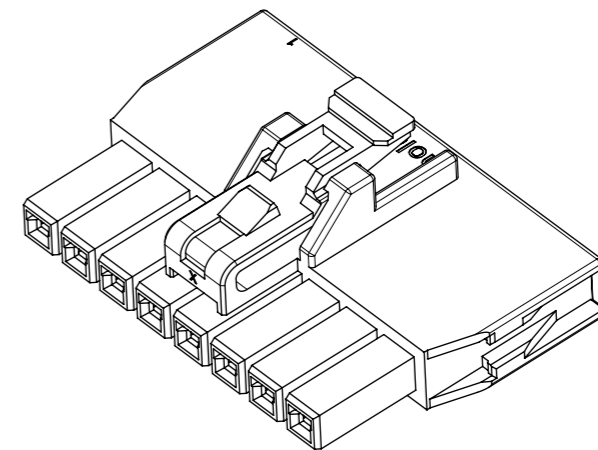
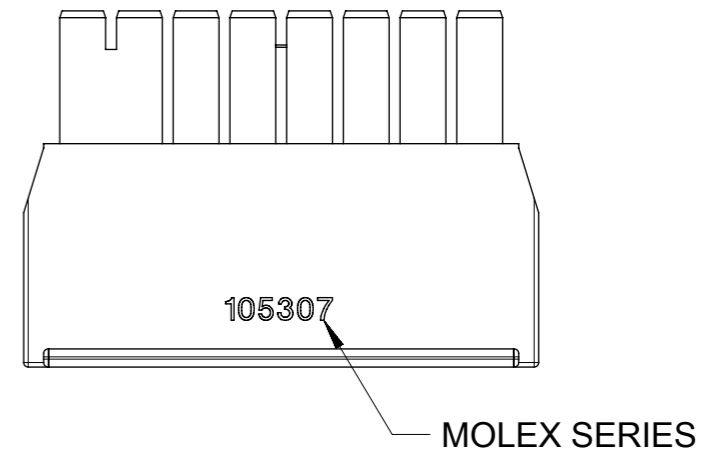
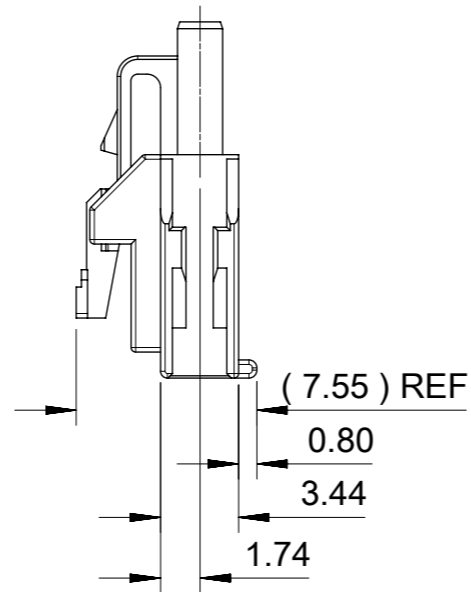
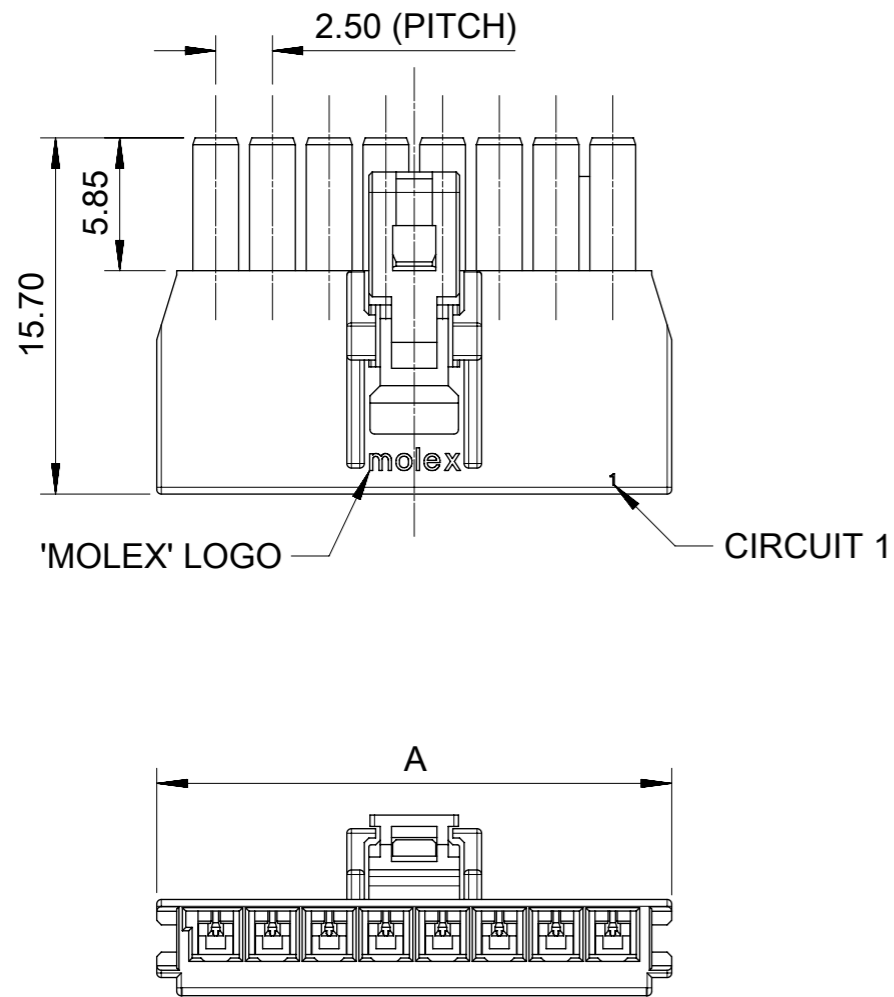
描述	产品编号
Pre-Crimped Lead Nano-Fit Female-to-Nano-Fit Female, Gold (Au) Plating, 150.00mm Length, 20 AWG, Black	<u>/content/molex/molex-dot-com/cn/zh/products/product-page.html/797582129.html</u>
Pre-Crimped Lead Nano-Fit Female-to-Nano-Fit Female, Gold (Au) Plating, 300.00mm Length, 20 AWG, Black	<u>/content/molex/molex-dot-com/cn/zh/products/product-page.html/797582130.html</u>
Pre-Crimped Lead Nano-Fit Female-to-Nano-Fit Female, Matte Tin (Sn) Plating, 150.00mm Length, 20 AWG, Black	<u>/content/molex/molex-dot-com/cn/zh/products/product-page.html/797582139.html</u>
Pre-Crimped Lead Nano-Fit Female-to-Nano-Fit Female, Matte Tin (Sn) Plating, 300.00mm Length, 20 AWG, Black	<u>/content/molex/molex-dot-com/cn/zh/products/product-page.html/797582140.html</u>
Nano-Fit Female Crimp Terminals	<u>105300</u>
Nano-Fit Terminal Position Assurance (TPA) Retainers	<u>105325</u>

施工工具

全局

描述	产品编号
Extraction Tool for Nano-Fit Power Connectors and Crimp Terminals, 20-26 AWG	<u>0638244600</u>

This document was generated on Feb 27, 2024



NOTES:

1. MATERIAL:

OPTION 1: PA4T, 30% GLASS FILLED, 94V-0, BLACK

OPTION 2: PA4T, 30 GLASS FILLED, 94V-0, NATUAL.

2. PRODUCT SPECIFICATION: PS-105300-100.

3. PACKAGE SPECIFICATION: PK-105307-100.

4. THE COMPONENT COMPLIANT TO RoHS DIRECTIVE 2011/65/EU AND ELV DIRECTIVE 2000/53/EC.

5. TO MATE WITH TERMINAL OF 105300-****.

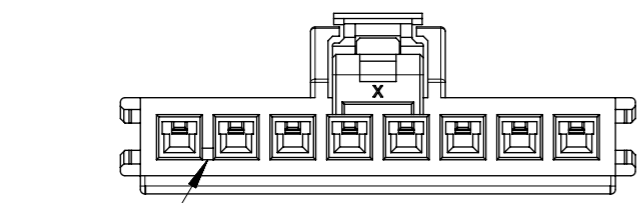
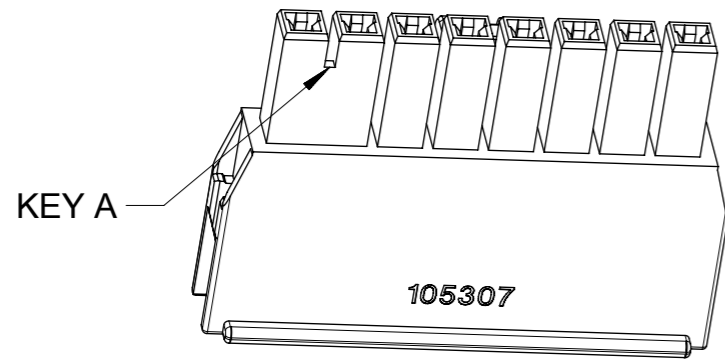
TO MATE WITH TPA OF 105325-****.

TO MATE WITH HEADER OF 105309-****, 105311-**** AND 105313-****.

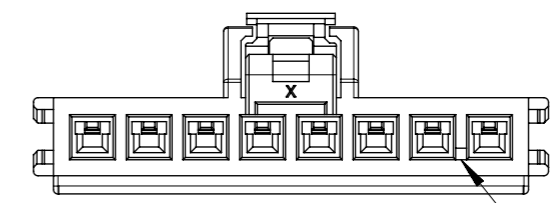
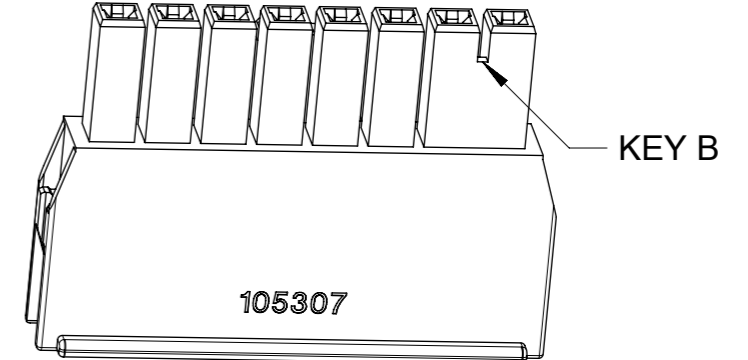
6. PARTS CONFORM TO CLASS 'B' REQUIREMENTS OF COSMETIC SPECIFICATION PS-45499-002.

7. APPLICATION SPECIFICATION: AS-105300-100.

THIS DRAWING CONTAINS INFORMATION THAT IS PROPRIETARY TO MOLEX ELECTRONIC TECHNOLOGIES, LLC AND SHOULD NOT BE USED WITHOUT WRITTEN PERMISSION												
QUALITY SYMBOLS	2018/09/21 2019/04/17 2019/04/17 EC NO: 614394 DRWN: GLLI CHK'D: AYIN APPR: AYIN	GENERAL TOLERANCES (UNLESS SPECIFIED)		DIMENSION UNITS	SCALE							
		ANGULAR TOL ± 3.0 °		mm	3:1							
▽A = 0	E REV	4 PLACES ±	DRWN BY GLLI		DATE 2014/08/13		RECEPTACLE OF NANO-FIT, S/R, TPA POWER CONNECTOR					
▽E = 0		3 PLACES ±	CHK'D BY		DATE							
▽B = 0		2 PLACES ± 0.2	APPR BY		DATE		PRODUCT CUSTOMER DRAWING					
▽ = 0		1 PLACE ± 0.3	AYIN		2015/04/08							
▽C = 0		0 PLACES ±	DRAFT WHERE APPLICABLE MUST REMAIN WITHIN DIMENSIONS		DRAWING SIZE	THIRD ANGLE PROJECTION	SERIES	MATERIAL NUMBER	CUSTOMER			
▽ = 0		A3					105307	SEE SHEET 4	GENERAL MARKET			
▽ = 0							DOCUMENT NUMBER		DOC TYPE	DOC PART	SHEET NUMBER	
						SD-105307-100		PSD	000	1 OF 4		



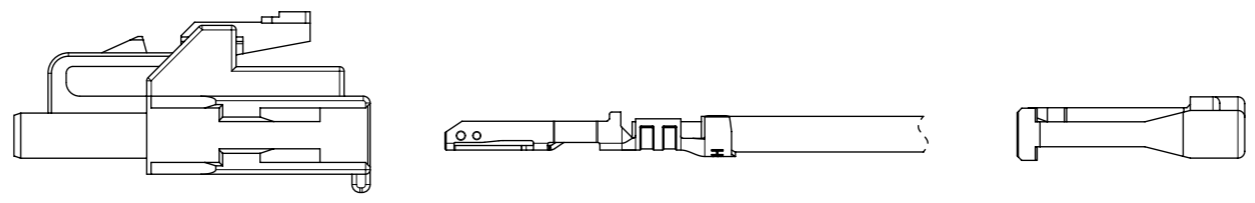
BLACK



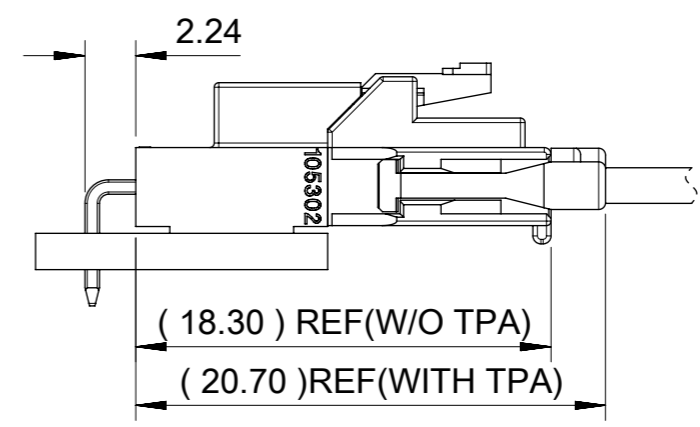
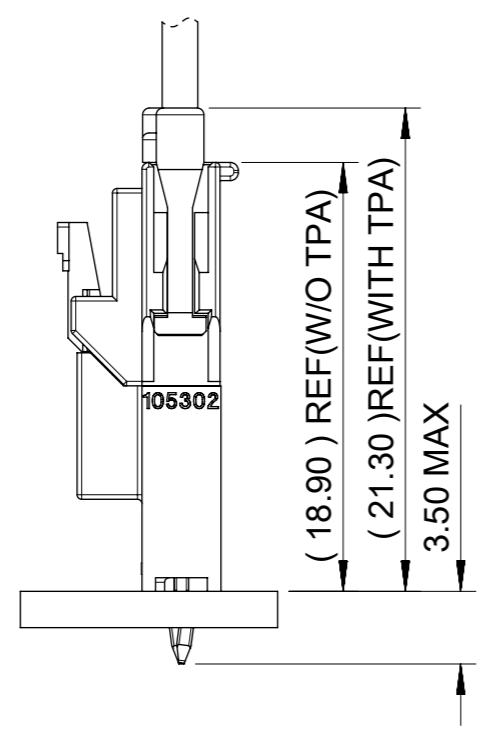
NATURAL

COLOR OPTION

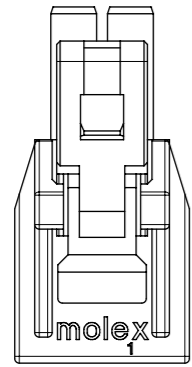
QUALITY SYMBOLS ▽ _A = 0 ▽ _E = 0 ▽ _F = 0 ▼ = 0 ▽ = 0 ⊗ = 0 ■ = 0 ▽ = 0	THIS DRAWING CONTAINS INFORMATION THAT IS PROPRIETARY TO MOLEX ELECTRONIC TECHNOLOGIES, LLC AND SHOULD NOT BE USED WITHOUT WRITTEN PERMISSION											
	EC NO: 614394 DRWN: GLLI CHK'D: AYIN APPR: AYIN	2018/09/21	2019/04/17	2019/04/17	GENERAL TOLERANCES (UNLESS SPECIFIED)		DIMENSION UNITS	SCALE				
					ANGULAR TOL ± 3.0 °		mm	3:1				
					4 PLACES ±	DRWN BY		DATE		RECEPTACLE OF NANO-FIT, S/R, TPA POWER CONNECTOR		
					3 PLACES ±	GLLI		2014/08/13				
					2 PLACES ± 0.2	CHK'D BY		DATE				
				1 PLACE ± 0.3	APPR BY		DATE		PRODUCT CUSTOMER DRAWING			
				0 PLACES ±	AYIN		2015/04/08		SERIES	MATERIAL NUMBER	CUSTOMER	
				DRAFT WHERE APPLICABLE MUST REMAIN WITHIN DIMENSIONS	DRAWING SIZE		THIRD ANGLE PROJECTION		105307	SEE SHEET 4	GENERAL MARKET	
					A3				DOCUMENT NUMBER	DOC TYPE	DOC PART	SHEET NUMBER
								SD-105307-100	PSD	000	2 OF 4	



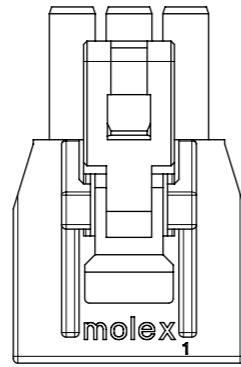
TERMINAL AND TPA ORIENTATION



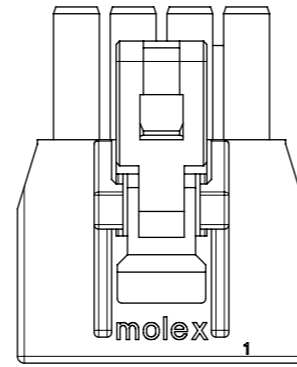
QUALITY SYMBOLS ▽A = 0 ▽E = 0 ▽F = 0 ▼ = 0 ▽C = 0 ⊗ = 0 ■ = 0 ▽ = 0	THIS DRAWING CONTAINS INFORMATION THAT IS PROPRIETARY TO MOLEX ELECTRONIC TECHNOLOGIES, LLC AND SHOULD NOT BE USED WITHOUT WRITTEN PERMISSION									
	2018/09/21	2019/04/17	2019/04/17	GENERAL TOLERANCES (UNLESS SPECIFIED)		DIMENSION UNITS	SCALE			
	DRWN: GLLI	CHK'D: AYIN	APPR: AYIN	ANGULAR TOL ± 3.0 °		mm	3:1			
	EC NO: 614394 DRWN: GLLI CHK'D: AYIN APPR: AYIN	4 PLACES	±	4 PLACES ±		DRWN BY	DATE	RECEPTACLE OF NANO-FIT, S/R, TPA POWER CONNECTOR		
		3 PLACES	±	3 PLACES ±		GLLI	2014/08/13			
		2 PLACES	± 0.2	2 PLACES ± 0.2		CHK'D BY	DATE	PRODUCT CUSTOMER DRAWING		
		1 PLACE	± 0.3	1 PLACE ± 0.3		AYIN	2015/04/08			
		0 PLACES	±	0 PLACES ±		APPR BY	DATE	SERIES	MATERIAL NUMBER	CUSTOMER
	DRAFT WHERE APPLICABLE MUST REMAIN WITHIN DIMENSIONS		DRAFT WHERE APPLICABLE MUST REMAIN WITHIN DIMENSIONS		DRAWING SIZE	THIRD ANGLE PROJECTION	105307	SEE SHEET 4	GENERAL MARKET	
					A3		DOCUMENT NUMBER		DOC TYPE	DOC PART
						SD-105307-100	PSD	000	3 OF 4	



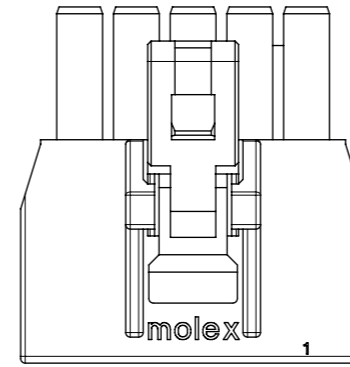
2 CKT



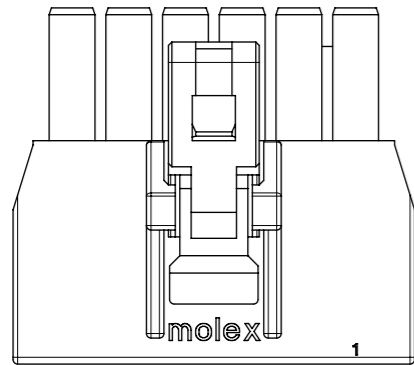
3 CKT



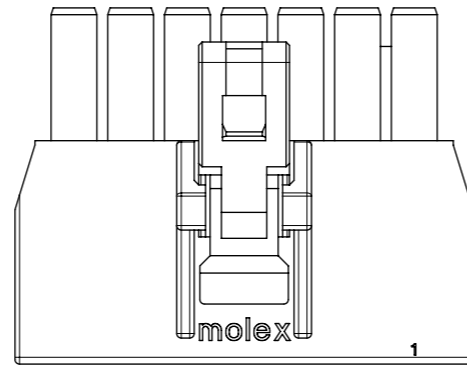
4 CKT



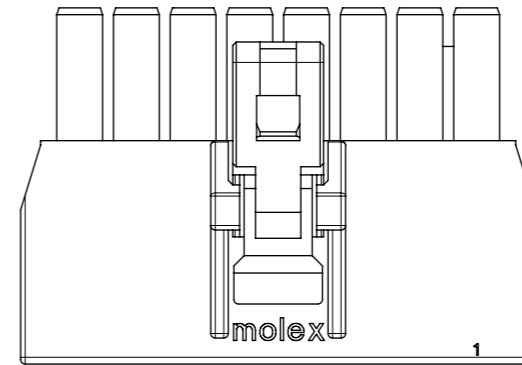
5 CKT



6 CKT



7 CKT



8 CKT

WITH TPA FEATURE			
PART No	DIM 'A'	CKT SIZE	COLOR
105307-1202	7.70	2	BLACK (KEY A)
105307-1203	10.20	3	
105307-1204	12.70	4	
105307-1205	15.20	5	
105307-1206	17.70	6	
105307-1207	20.20	7	
105307-1208	22.70	8	
105307-2202	7.70	2	
105307-2203	10.20	3	
105307-2204	12.70	4	
105307-2205	15.20	5	
105307-2206	17.70	6	
105307-2207	20.20	7	
105307-2208	22.70	8	

105307- * * * *

CIRCUIT SIZE

TPA OPTION: 1 - STANDARD
2 - WITH TPA

COLOR OPTION: 1 - BLACK
2 - NATURAL

THIS DRAWING CONTAINS INFORMATION THAT IS PROPRIETARY TO MOLEX ELECTRONIC TECHNOLOGIES, LLC AND SHOULD NOT BE USED WITHOUT WRITTEN PERMISSION												
QUALITY SYMBOLS ▽A = 0 ▽E = 0 ▽B = 0 ▼ = 0 ▽C = 0 ⊗ = 0 ■ = 0 ▽ = 0	2018/09/21	GENERAL TOLERANCES (UNLESS SPECIFIED)		DIMENSION UNITS	SCALE							
	DRWN: GLLI	ANGULAR TOL ± 3.0 °		mm	3:1							
	2019/04/17	4 PLACES ±	DRWN BY		DATE		RECEPTACLE OF NANO-FIT, S/R, TPA POWER CONNECTOR					
	CHK'D: AYIN	3 PLACES ±	GLLI		2014/08/13							
	2019/04/17	2 PLACES ± 0.2	CHK'D BY		DATE		PRODUCT CUSTOMER DRAWING					
	APPR: AYIN	1 PLACE ± 0.3	AYIN		2015/04/08							
		0 PLACES ±	DRAFT WHERE APPLICABLE MUST REMAIN WITHIN DIMENSIONS		DRAWING SIZE	THIRD ANGLE PROJECTION	SERIES	MATERIAL NUMBER	CUSTOMER			
					A3		105307	SEE CHART	GENERAL MARKET			
							DOCUMENT NUMBER		DOC TYPE	DOC PART	SHEET NUMBER	
							SD-105307-100		PSD	000	4 OF 4	