



产品编号 : [1053071205](#)

Product Description : Nano-Fit Receptacle Housing, TPA Capable, 2.50mm Pitch, Single Row, 5 Circuits, Black, Glow-Wire Capable

系列号 : 105307

状态 : Active

Product Category : Connector Housings



文件和资源

图纸

[图纸 1053071205_sd.pdf](#)

[包装设计图 PK-105307-100-000.pdf](#)

3D 模型和设计文件

[3D模型 1053071205_stp.zip](#)

规格

[应用规格 AS-105300-100-001.pdf](#)

[产品规格 1053001000-PS-CH-000.pdf](#)

[产品规格 1053001000-PS-ES-000.pdf](#)

[产品规格 1053001000-PS-JP-000.pdf](#)

[产品规格 1053001000-PS-SK-000.pdf](#)

[产品规格 PS-105300-100-001.pdf](#)

[测试摘要 1053000000-TS-000.pdf](#)

[测试摘要 1053001000-TS-000.pdf](#)

产物环境合规

合规

GADSL/IMDS	Not Relevant
China RoHS	
EU ELV	Not Relevant
Low-Halogen Status	Low-Halogen per IEC 61249-2-21
REACH SVHC	Not Contained per D(2023)3788-DC (14 Jun 2023)
EU RoHS	Compliant per EU 2015/863

[多部分产品合规性声明](#)

- Eu RoHS

- REACH SVHC

- Low-Halogen

多部分行业合规性文件

- IPC 1752A Class C

- IPC 1752A Class D

- Molex Product Compliance Declaration

- IEC-62474

- chemSHERPA (xml)

欧盟 RoHS 合格证书

产品详情

常规

状态	活动
类别	Connector Housings
系列	105307
说明	Nano-Fit Receptacle Housing, TPA Capable, 2.50mm Pitch, Single Row, 5 Circuits, Black, Glow-Wire Capable
应用	Power, Wire-to-Board, Wire-to-Wire
个评论	Operating temperature is -40° to +105° for tin and -40° to +115° for gold
产品系列	Nano-Fit Power Connectors
产品名称	Nano-Fit
UPC	889056026468

机构

CSA	LR19980
UL	E29179

物理

电路数（最多）	5
颜色-树脂	黑色
阻燃性	94V-0
性别	Receptacle
符合灼热丝规范	是

插接极性	是
锁定插接部位	是
材料 - 树脂	Nylon
净重	0.580/g
行数	1
包装形式	Bag
面板安装式	否
间距 - 插配接口	2.50mm
间距 - 终端界面	2.50mm
有极性的插配件	是
运行温度范围	-40° to +105° C, -40° to +115° C

可配插/可连接使用的产品

可配插部件

描述	产品编号
Nano-Fit Vertical Header, Through Hole, 2.50mm Pitch, Single Row, 5 Circuits, with Kinked Pins, Tin (Sn) Plating, Black, Glow-Wire Capable, Tray	<u>1053091105</u>
Nano-Fit Vertical Header, Through Hole, 2.50mm Pitch, Single Row, 5 Circuits, with Kinked Pins, 0.38µm Gold (Au) Plating, Black, Glow-Wire Capable, Tray	<u>1053091205</u>
Nano-Fit Vertical Header, Through Hole, 2.50mm Pitch, Single Row, 5 Circuits, with Kinked Pins, 0.76µm Gold (Au) Plating, Black, Glow-Wire Capable, Tray	<u>1053091305</u>
Nano-Fit Vertical Header, Through Hole, 2.50mm Pitch, Single Row, 5 Circuits, with Kinked Pins, 0.76µm Gold (Au) Plating, Lubricated, Black, Glow-Wire Capable, Tray	<u>1053091405</u>
Nano-Fit Vertical Header, Through Hole, 2.50mm Pitch, Single Row, 5 Circuits, with Solder Clips, Tin (Sn) Plating, Black, Glow-Wire Capable, Tray	<u>1053111105</u>

Nano-Fit Vertical Header, Through Hole, 2.50mm Pitch, Single Row, 5 Circuits, with Solder Clips, 0.38 μ m Gold (Au) Plating, Black, Glow-Wire Capable, Tray	<u>1053111205</u>
Nano-Fit Vertical Header, Through Hole, 2.50mm Pitch, Single Row, 5 Circuits, with Solder Clips, 0.76 μ m Gold (Au) Plating, Black, Glow-Wire Capable, Tray	<u>1053111305</u>
Nano-Fit Vertical Header, Surface Mount, 2.50mm Pitch, Single Row, 5 Circuits, 0.76 μ m Tin (Sn) Plating, Black, Glow-Wire Capable	<u>1054311105</u>
Nano-Fit Vertical Header, Surface Mount, 2.50mm Pitch, Single Row, 5 Circuits, 0.38 μ m Gold (Au) Plating, Black, Glow-Wire Capable	<u>1054311205</u>
Nano-Fit Vertical Header, Surface Mount, 2.50mm Pitch, Single Row, 5 Circuits, 0.76 μ m Gold (Au) Plating, Black, Glow-Wire Capable	<u>1054311305</u>
Nano-Fit Vertical Header, Surface Mount, 2.50mm Pitch, Single Row, 5 Circuits, 0.76 μ m Gold (Au) Plating, Lubricated, Black, Glow-Wire Capable	<u>1054311405</u>
Nano-Fit Right-Angle Header, Through Hole, 2.50mm Pitch, Single Row, 5 Circuits, Tin (Sn) Plating, Black, Glow-Wire Capable, Tray	<u>1053131105</u>
Nano-Fit Right-Angle Header, Through Hole, 2.50mm Pitch, Single Row, 5 Circuits, 0.38 μ m Gold (Au) Plating, Black, Glow-Wire Capable, Tray	<u>1053131205</u>
Nano-Fit Right-Angle Header, Through Hole, 2.50mm Pitch, Single Row, 5 Circuits, 0.76 μ m Gold (Au) Plating, Black, Glow-Wire Capable, Tray	<u>1053131305</u>
Nano-Fit Right-Angle Header, Surface Mount, 2.50mm Pitch, Single Row, 5 Circuits, 0.76 μ m Tin (Sn) Plating, Black, Glow-Wire Capable	<u>1054301105</u>
Nano-Fit Right-Angle Header, Surface Mount, 2.50mm Pitch, Single Row, 5 Circuits, 0.38 μ m Gold (Au) Plating, Black, Glow-Wire Capable	<u>1054301205</u>

Nano-Fit Right-Angle Header, Surface Mount, 2.50mm Pitch, Single Row, 5 Circuits, 0.76µm Gold (Au) Plating, Black, Glow-Wire Capable	<u>1054301305</u>
Nano-Fit Right-Angle Header, Surface Mount, 2.50mm Pitch, Single Row, 5 Circuits, 0.76µm Gold (Au) Plating, Lubricated, Black, Glow-Wire Capable	<u>1054301405</u>
Nano-Fit Plug Housing, TPA Capable, 2.50mm Pitch, Single Row, 5 Circuits, Black, Glow-Wire Capable	<u>2002771105</u>
Nano-Fit Plug Housing, TPA Capable, 2.50mm Pitch, Single Row, 5 Circuits, Black, Panel Mount, Glow-Wire Capable	<u>2002771205</u>

可连接使用部件

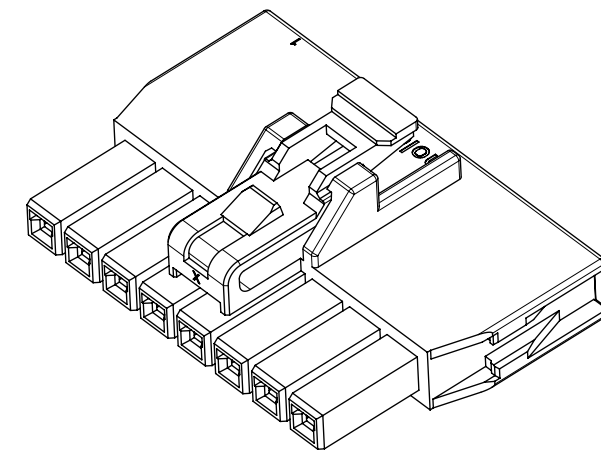
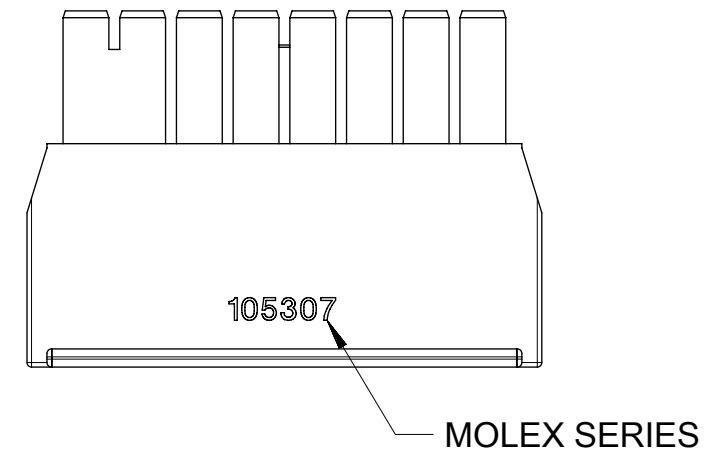
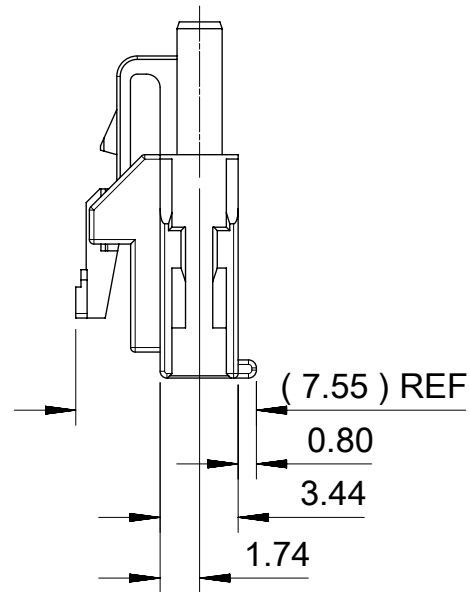
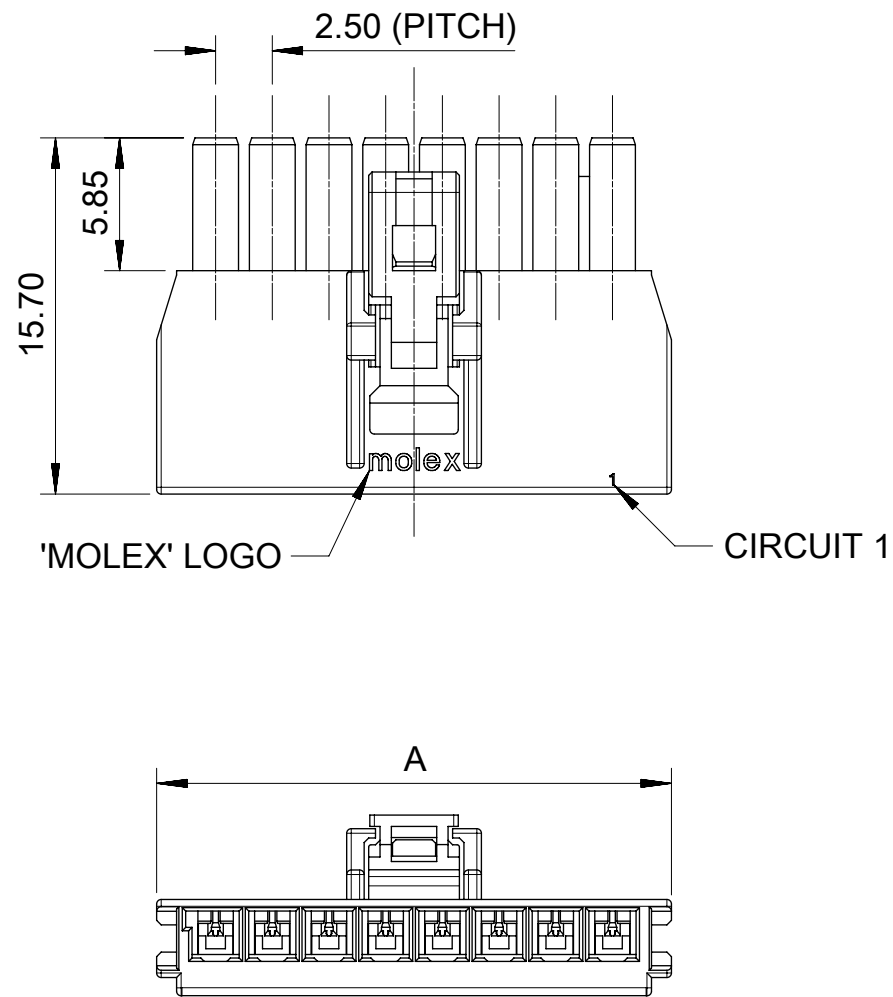
描述	产品编号
Pre-Crimped Lead Nano-Fit Female-to-Nano-Fit Female, Gold (Au) Plating, 150.00mm Length, 20 AWG, Black	<u>/content/molex/molex-dot-com/cn/zh/products/product-page.html/797582129.html</u>
Pre-Crimped Lead Nano-Fit Female-to-Nano-Fit Female, Gold (Au) Plating, 300.00mm Length, 20 AWG, Black	<u>/content/molex/molex-dot-com/cn/zh/products/product-page.html/797582130.html</u>
Pre-Crimped Lead Nano-Fit Female-to-Nano-Fit Female, Matte Tin (Sn) Plating, 150.00mm Length, 20 AWG, Black	<u>/content/molex/molex-dot-com/cn/zh/products/product-page.html/797582139.html</u>
Pre-Crimped Lead Nano-Fit Female-to-Nano-Fit Female, Matte Tin (Sn) Plating, 300.00mm Length, 20 AWG, Black	<u>/content/molex/molex-dot-com/cn/zh/products/product-page.html/797582140.html</u>
Nano-Fit Female Crimp Terminals	<u>105300</u>
Nano-Fit Terminal Position Assurance (TPA) Retainers	<u>105325</u>

施工工具

全局

描述	产品编号
Extraction Tool for Nano-Fit Power Connectors and Crimp Terminals, 20-26 AWG	<u>0638244600</u>

This document was generated on Feb 27, 2024



NOTES:

1. MATERIAL:

OPTION 1: PA4T, 30% GLASS FILLED, 94V-0, BLACK

OPTION 2: PA4T, 30 GLASS FILLED, 94V-0, NATUAL.

2. PRODUCT SPECIFICATION: PS-105300-100.

3. PACKAGE SPECIFICATION: PK-105307-100.

4. THE COMPONENT COMPLIANT TO RoHS DIRECTIVE 2011/65/EU AND ELV DIRECTIVE 2000/53/EC.

5. TO MATE WITH TERMINAL OF 105300-**.**

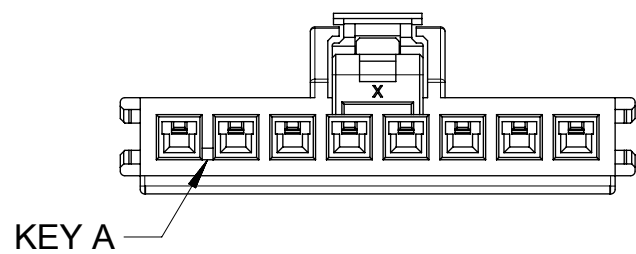
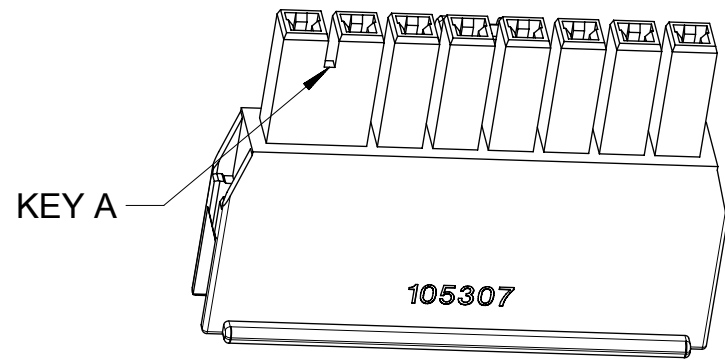
TO MATE WITH TPA OF 105325-**.**

TO MATE WITH HEADER OF 105309-**, 105311-**** AND 105313-****.**

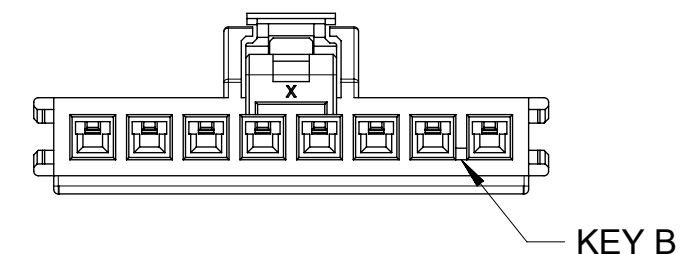
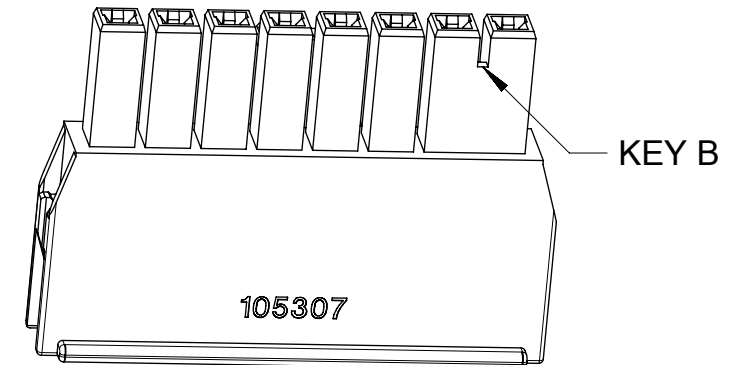
6. PARTS CONFORM TO CLASS 'B' REQUIREMENTS OF COSMETIC SPECIFICATION PS-45499-002.

7. APPLICATION SPECIFICATION: AS-105300-100.

THIS DRAWING CONTAINS INFORMATION THAT IS PROPRIETARY TO MOLEX ELECTRONIC TECHNOLOGIES, LLC AND SHOULD NOT BE USED WITHOUT WRITTEN PERMISSION											
QUALITY SYMBOLS ▽A = 0 ▽E = 0 ▽F = 0 ▼ = 0 ▽C = 0 ⊗ = 0 ■ = 0 ▽ = 0	2018/09/21	2019/04/17	2019/04/17	GENERAL TOLERANCES (UNLESS SPECIFIED)		DIMENSION UNITS	SCALE				
	DRWN: GLLI	CHK'D: AYIN	APPR: AYIN	ANGULAR TOL ± 3.0 °		mm	3:1				
	EC NO: 614394	REV: E	REV: 1	4 PLACES	±	DRWN BY	DATE	RECEPTACLE OF NANO-FIT, S/R, TPA POWER CONNECTOR			
				3 PLACES	±	GLLI	2014/08/13				
				2 PLACES	± 0.2	CHK'D BY	DATE	PRODUCT CUSTOMER DRAWING			
				1 PLACE	± 0.3	AYIN	2015/04/08				
	0 PLACES	±	APPR BY	DATE	DRAWING SIZE	THIRD ANGLE PROJECTION	SERIES	MATERIAL NUMBER	CUSTOMER		
	DRAFT WHERE APPLICABLE MUST REMAIN WITHIN DIMENSIONS		A3			105307	SEE SHEET 4	GENERAL MARKET			
						DOCUMENT NUMBER	DOC TYPE	DOC PART	SHEET NUMBER		
						SD-105307-100	PSD	000	1 OF 4		



BLACK



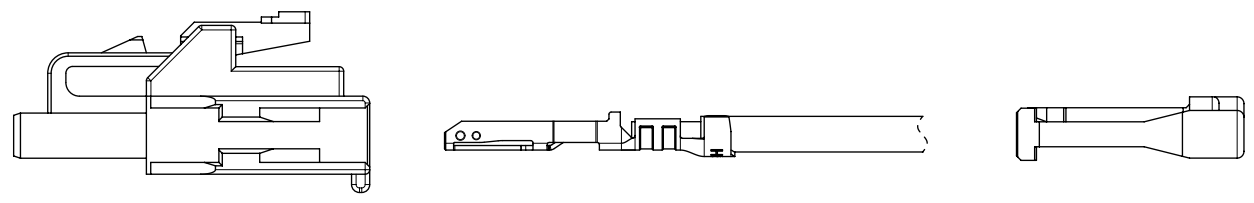
NATURAL

COLOR OPTION

QUALITY SYMBOLS ▽ _A = 0 ▽ _E = 0 ▽ _B = 0 ▼ = 0 ▽ = 0 ⊗ = 0 ■ = 0 ▽ = 0	THIS DRAWING CONTAINS INFORMATION THAT IS PROPRIETARY TO MOLEX ELECTRONIC TECHNOLOGIES, LLC AND SHOULD NOT BE USED WITHOUT WRITTEN PERMISSION										
	2018/09/21	2019/04/17	GENERAL TOLERANCES (UNLESS SPECIFIED)		DIMENSION UNITS	SCALE					
	DRWN: GLLI	CHK'D: AYIN	ANGULAR TOL ± 3.0 °		mm	3:1					
	2019/04/17	2019/04/17	4 PLACES ±	3 PLACES ±	DRWN BY	DATE	RECEPTACLE OF NANO-FIT, S/R, TPA POWER CONNECTOR				
	APP: AYIN	APP: AYIN	2 PLACES ± 0.2	1 PLACE ± 0.3	GLLI	2014/08/13					
	EC NO: 614394	DRWN: GLLI	0 PLACES ±	DRAFT WHERE APPLICABLE MUST REMAIN WITHIN DIMENSIONS	CHK'D BY	DATE	PRODUCT CUSTOMER DRAWING				
	REV: E	APP: AYIN			AYIN	2015/04/08					
					DRAWING SIZE	THIRD ANGLE PROJECTION	SERIES	MATERIAL NUMBER	CUSTOMER		
					A3		105307	SEE SHEET 4	GENERAL MARKET		
							DOCUMENT NUMBER		DOC TYPE	DOC PART	SHEET NUMBER
						SD-105307-100		PSD	000	2 OF 4	

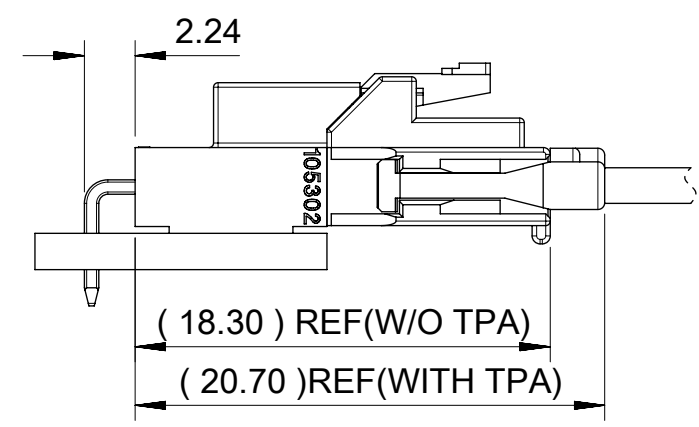
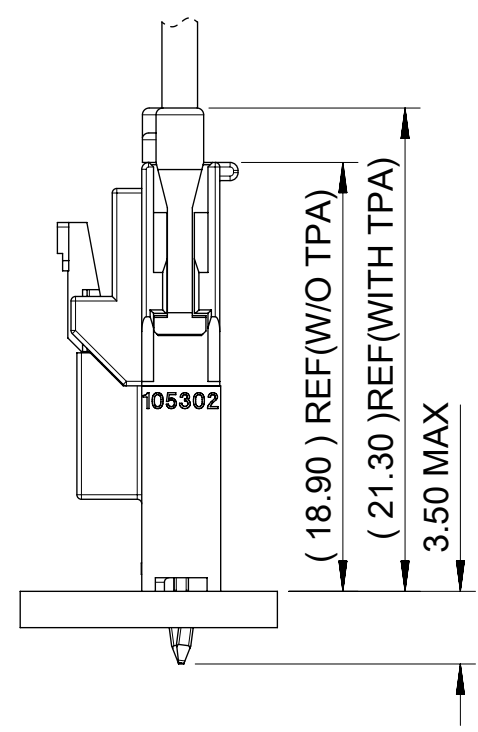
9 8 7 6 5 4 3 2 1

E



←
TERMINAL AND TPA ORIENTATION

D



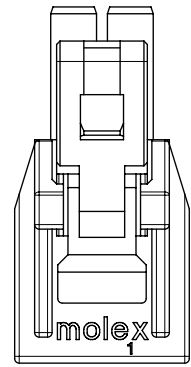
C

B

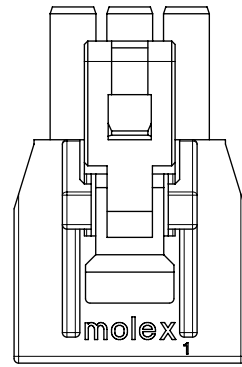
A

QUALITY SYMBOLS ▽A = 0 ▽E = 0 ▽F = 0 ▼ = 0 ▽C = 0 ⊗ = 0 ■ = 0 ▽ = 0	THIS DRAWING CONTAINS INFORMATION THAT IS PROPRIETARY TO MOLEX ELECTRONIC TECHNOLOGIES, LLC AND SHOULD NOT BE USED WITHOUT WRITTEN PERMISSION									
	2018/09/21	2019/04/17	2019/04/17	GENERAL TOLERANCES (UNLESS SPECIFIED)		DIMENSION UNITS	SCALE			
	DRWN: GLLI	CHK'D: AYIN	APPR: AYIN	ANGULAR TOL ± 3.0 °		mm	3:1			
	EC NO: 614394 DRWN: GLLI CHK'D: AYIN APPR: AYIN	4 PLACES	±	4 PLACES ±		DRWN BY	DATE	RECEPTACLE OF NANO-FIT, S/R, TPA POWER CONNECTOR		
		3 PLACES	±	3 PLACES ±		GLLI	2014/08/13			
		2 PLACES	± 0.2	2 PLACES ± 0.2		CHK'D BY	DATE	PRODUCT CUSTOMER DRAWING		
		1 PLACE	± 0.3	1 PLACE ± 0.3		AYIN	2015/04/08			
		0 PLACES	±	0 PLACES ±		APPR BY	DATE	SERIES	MATERIAL NUMBER	CUSTOMER
	DRAFT WHERE APPLICABLE MUST REMAIN WITHIN DIMENSIONS		DRAFT WHERE APPLICABLE MUST REMAIN WITHIN DIMENSIONS		DRAWING SIZE	THIRD ANGLE PROJECTION	105307	SEE SHEET 4	GENERAL MARKET	
					A3		DOCUMENT NUMBER		DOC TYPE	DOC PART
						SD-105307-100		PSD	000	3 OF 4

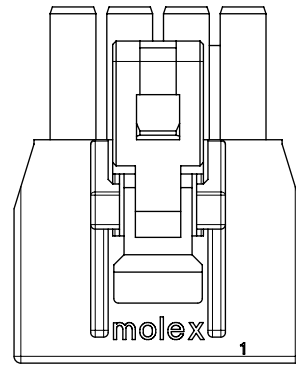
9 8 7 6 5 4 3 2 1



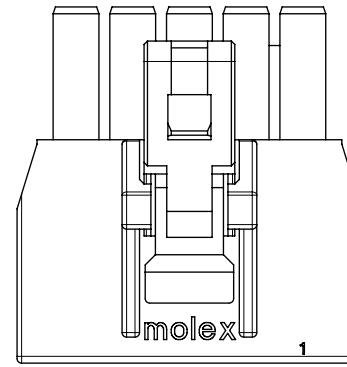
2 CKT



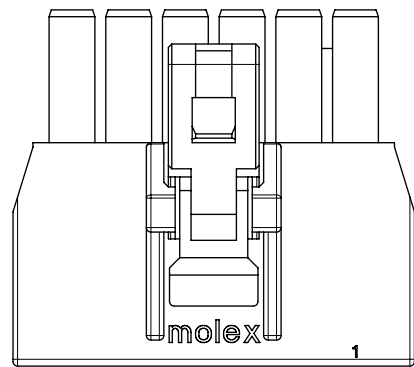
3 CKT



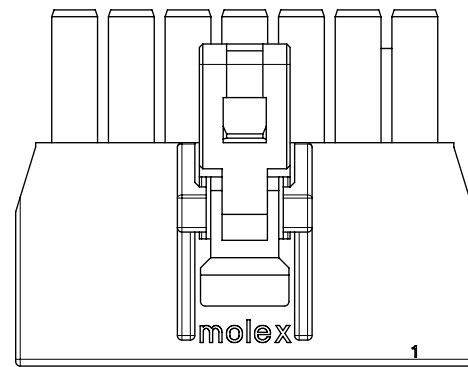
4 CKT



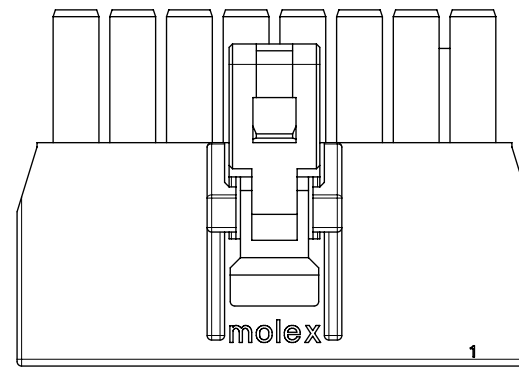
5 CKT



6 CKT



7 CKT



8 CKT

WITH TPA FEATURE			
PART No	DIM 'A'	CKT SIZE	COLOR
105307-1202	7.70	2	BLACK (KEY A)
105307-1203	10.20	3	
105307-1204	12.70	4	
105307-1205	15.20	5	
105307-1206	17.70	6	
105307-1207	20.20	7	
105307-1208	22.70	8	
105307-2202	7.70	2	
105307-2203	10.20	3	
105307-2204	12.70	4	
105307-2205	15.20	5	
105307-2206	17.70	6	
105307-2207	20.20	7	
105307-2208	22.70	8	

105307- * * * *

CIRCUIT SIZE

TPA OPTION: 1 - STANDARD
2 - WITH TPA

COLOR OPTION: 1 - BLACK
2 - NATURAL

<p>QUALITY SYMBOLS</p> <p>▽A = 0</p> <p>▽E = 0</p> <p>▽B = 0</p> <p>▼ = 0</p> <p>▽C = 0</p> <p>⊗ = 0</p> <p>■ = 0</p> <p>▽ = 0</p>				<p>THIS DRAWING CONTAINS INFORMATION THAT IS PROPRIETARY TO MOLEX ELECTRONIC TECHNOLOGIES, LLC AND SHOULD NOT BE USED WITHOUT WRITTEN PERMISSION</p>				<p>DIMENSION UNITS</p> <p>mm</p>		<p>SCALE</p> <p>3:1</p>		<p>molex</p> <p>RECEPTACLE OF NANO-FIT, S/R, TPA POWER CONNECTOR</p>									
<p>2018/09/21</p> <p>DRWN: GLLI</p>		<p>2019/04/17</p> <p>CHK'D: AYIN</p>		<p>2019/04/17</p> <p>APPR: AYIN</p>		<p>GENERAL TOLERANCES (UNLESS SPECIFIED)</p> <p>ANGULAR TOL ± 3.0 °</p>		<p>DRWN BY</p> <p>GLLI</p>		<p>DATE</p> <p>2014/08/13</p>						<p>PRODUCT CUSTOMER DRAWING</p>					
<p>EC NO: 614394</p>		<p>DRWN: GLLI</p>		<p>CHK'D: AYIN</p>		<p>APPR: AYIN</p>		<p>4 PLACES ±</p>		<p>CHK'D BY</p>		<p>DATE</p>		<p>SERIES</p> <p>105307</p>		<p>MATERIAL NUMBER</p> <p>SEE CHART</p>		<p>CUSTOMER</p> <p>GENERAL MARKET</p>			
<p>1 PLACE ± 0.3</p>		<p>2 PLACES ± 0.2</p>		<p>3 PLACES ±</p>		<p>APPR BY</p> <p>AYIN</p>		<p>DATE</p> <p>2015/04/08</p>		<p>DRAWING SIZE</p> <p>A3</p>		<p>THIRD ANGLE PROJECTION</p>		<p>DOCUMENT NUMBER</p> <p>SD-105307-100</p>		<p>DOC TYPE</p> <p>PSD</p>		<p>DOC PART</p> <p>000</p>		<p>SHEET NUMBER</p> <p>4 OF 4</p>	
<p>DRAFT WHERE APPLICABLE MUST REMAIN WITHIN DIMENSIONS</p>				<p>REV</p> <p>E</p>		<p>DRWN BY</p> <p>GLLI</p>		<p>DATE</p> <p>2015/04/08</p>		<p>RELEASE STATUS</p> <p>P1</p>				<p>RELEASE DATE</p> <p>2019/04/17</p>		<p>04:07:46</p>		<p>FORMAT: master-b-prod-A3</p> <p>REVISION: F</p> <p>DATE: 2015/11/16</p>			