



产品编号 : 1053091206

系列号 : 105309

Product Category : PCB Headers and Receptacles

Product Description : Nano-Fit Vertical Header, Through Hole, 2.50mm Pitch, Single Row, 6 Circuits, with Kinked Pins, 0.38µm Gold (Au) Plating, Black, Glow-Wire Capable, Tray

状态 : Active

Packaging Alternative : 1053093706 (Embossed Tape on Reel)

---

## 文件和资源

### 图纸

图纸 1053091206\_sd.pdf

包装设计图 PK-105309-300-000.pdf

### 3D 模型和设计文件

3D模型 1053091206\_stp.zip

符号足迹数据 SYM-105309-XX06-001.zip

### 规格

应用规格 AS-105300-100-001.pdf

产品规格 1053001000-PS-CH-000.pdf

产品规格 1053001000-PS-ES-000.pdf

产品规格 1053001000-PS-JP-000.pdf

产品规格 1053001000-PS-SK-000.pdf


产品规格 PS-105300-100-001.pdf

测试摘要 1053000000-TS-000.pdf

---

## 产物环境合规

### 合规

GADSL/IMDS	Compliant with Exemption 44; 34; 33
China RoHS	
EU ELV	Not Relevant
Low-Halogen Status	Low-Halogen per IEC 61249-2-21
REACH SVHC	Not Contained per D(2023)8585-DC (23 Jan 2024)
EU RoHS	Compliant per EU 2015/863

多部分产品合规性声明

- Eu RoHS
- REACH SVHC
- Low-Halogen
- IPC 1752A Class C
- IPC 1752A Class D
- Molex Product Compliance Declaration
- IEC-62474
- chemSHERPA (xml)

欧盟 RoHS 合格证书

## 产品详情

### 常规

状态	活动
类别	PCB Headers and Receptacles
系列	105309
说明	Nano-Fit Vertical Header, Through Hole, 2.50mm Pitch, Single Row, 6 Circuits, with Kinked Pins, 0.38µm Gold (Au) Plating, Black, Glow-Wire Capable, Tray
应用	Power, Wire-to-Board
元件类型	PCB Header
产品系列	Nano-Fit Power Connectors
产品名称	Nano-Fit
UPC	887191937571

### 机构

CSA	LR19980
UL	E29179

### 电气

每触点最大电流	8.0A
电压 - 最大	250V AC (RMS)/DC

### 物理

断开	否
回路数 (已载入)	6

电路数 (最多)	6
颜色-树脂	黑色
耐用性(插拔次数) - 最多次数	50
阻燃性	94V-0
符合灼热丝规范	是
可配插产品指南	否
插接极性	是
锁定插接部位	是
材料 - 金属	Brass
材料 - 接合部位电镀	金牌
材料 - 终端电镀	Tin
材料 - 树脂	Liquid Crystal Polymer
净重	0.670/g
行数	1
方向	垂直
包装形式	Tray
PC 焊脚长度	3.20mm
PCB 定位器	是
PCB 保持力	是
推荐的 PCB 厚度	1.60mm, 2.40mm
间距 - 插配接口	2.50mm
间距 - 终端界面	2.50mm
最薄镀层 - 接合部位	0.381 $\mu$ m
最薄镀层 - 端接	1.524 $\mu$ m
有极性的插配件	是
PCB 极性	是
有护墙的	是
可堆叠的	否
运行温度范围	-40° to +115° C
终端界面类型	Through Hole

## 可配插/可连接使用的产品

### 可配插部件

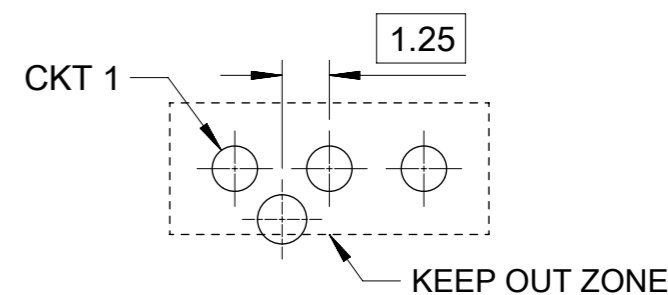
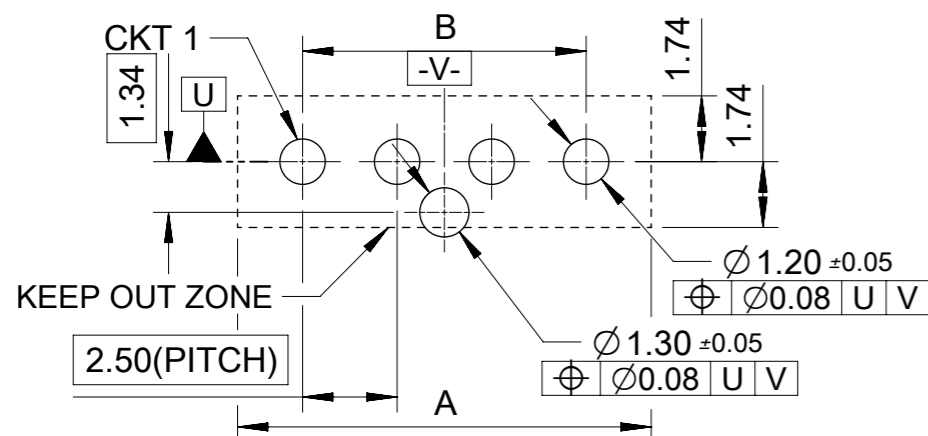
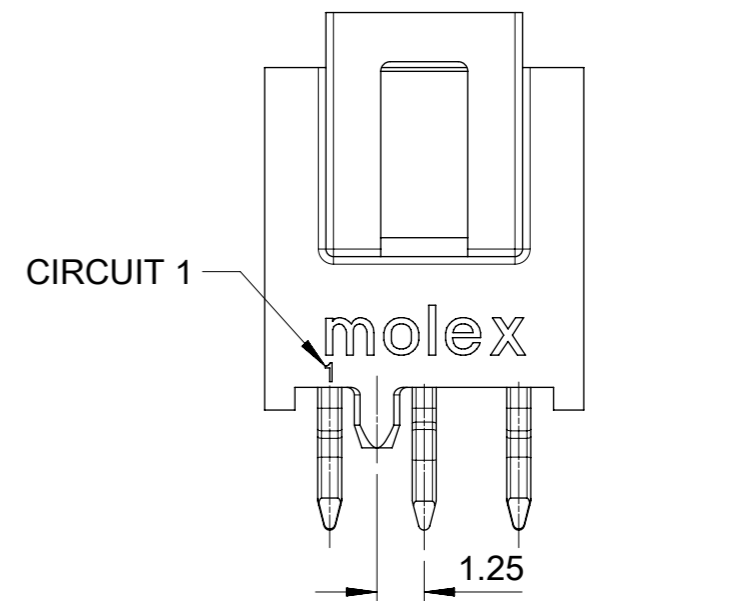
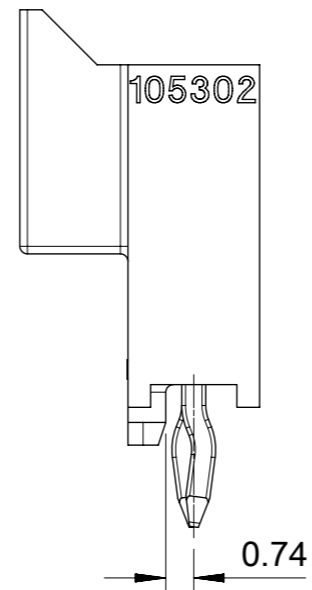
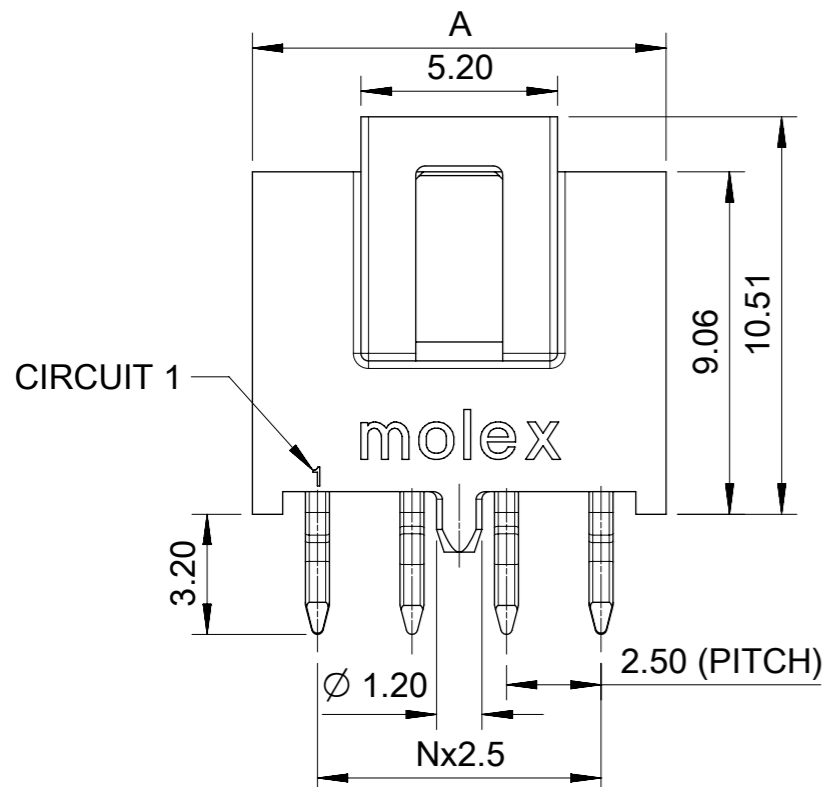
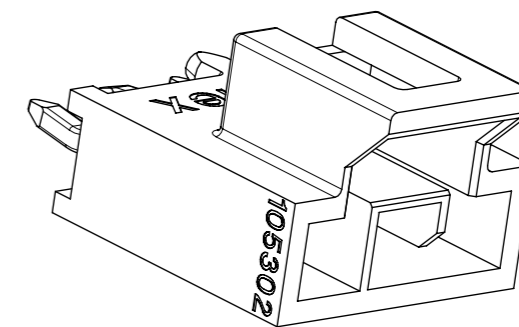
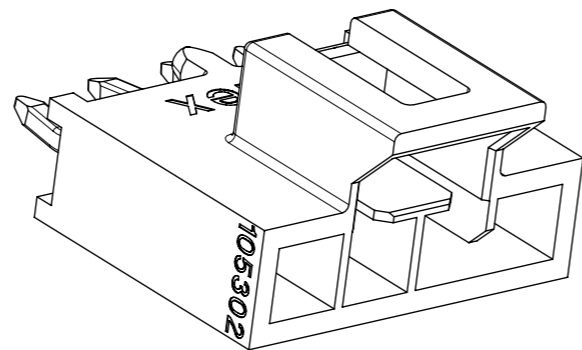
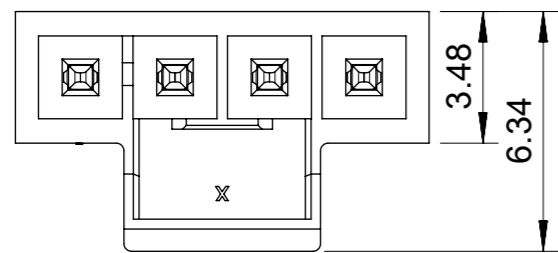
描述	产品编号
----	------

Nano-Fit Receptacle Housing, TPA Capable, 2.50mm Pitch, Single Row, 6 Circuits, Black, Glow-Wire Capable
---

<u>1053071206</u>
-------------------

---

This document was generated on Jun 30, 2024



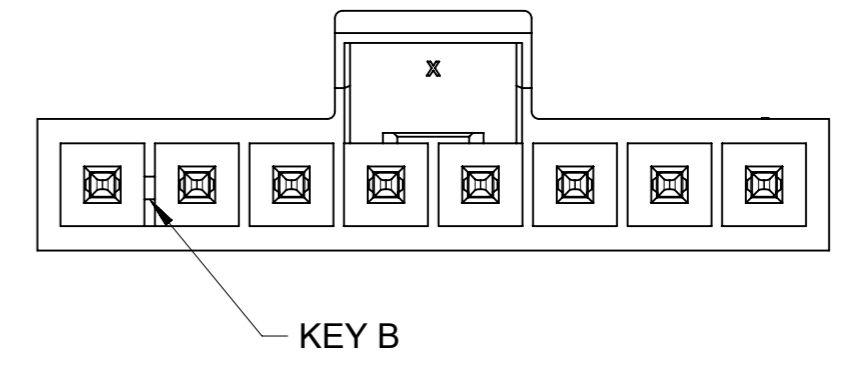
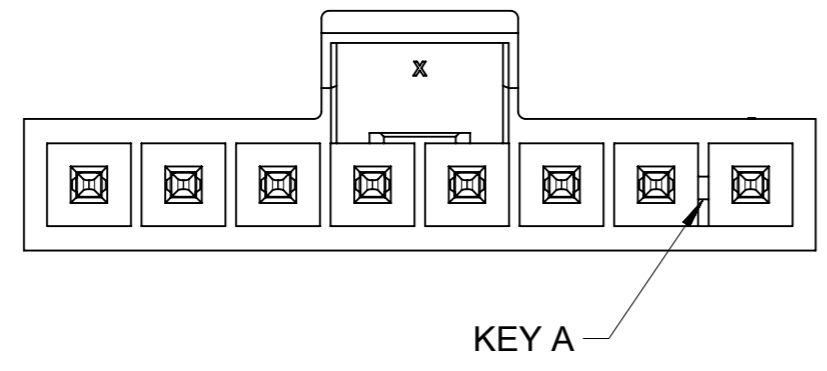
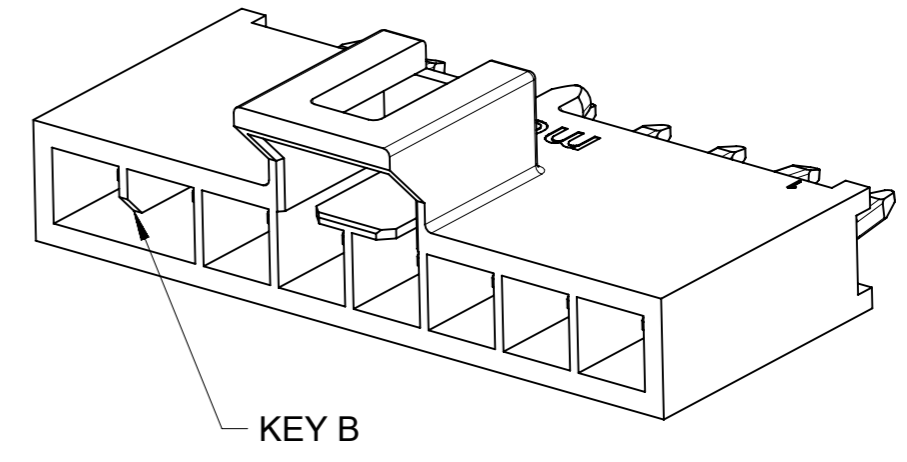
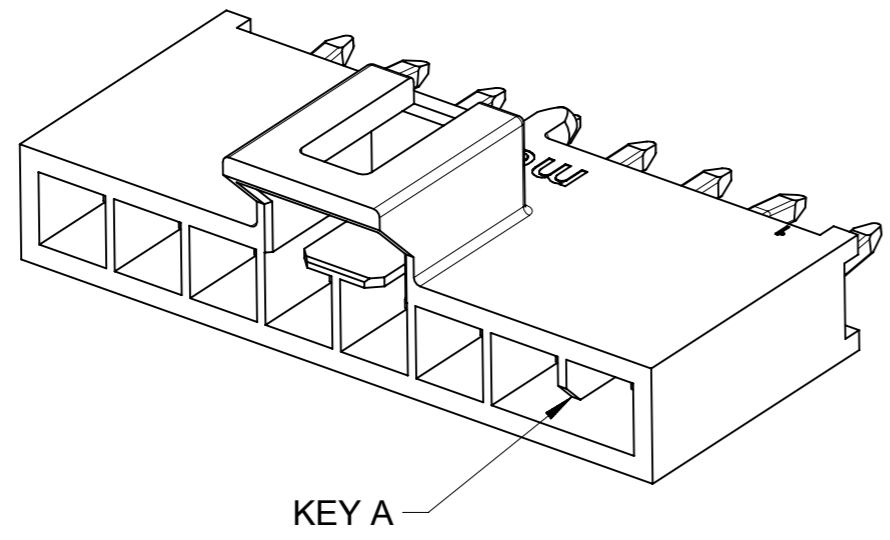
ONLY FOR CKT 3, 5, 7  
OTHER DIMENSIONS REFER TO LEFT VIEWS.

RECOMMENDED PCB(CONNECTOR SIDE VIEW)  
THICKNESS= 1.6 TO 2.4 MM.

<b>QUALITY SYMBOLS</b> FA = 0 FE = 0 FB = 0 ▼ = 0 C = 0 ⊗ = 0 ■ = 0 ∇ = 0	THIS DRAWING CONTAINS INFORMATION THAT IS PROPRIETARY TO MOLEX ELECTRONIC TECHNOLOGIES, LLC AND SHOULD NOT BE USED WITHOUT WRITTEN PERMISSION				DIMENSION UNITS: mm SCALE: 5:1					
	EC NO: 648137 DRWN: GLLI CHK'D: YXZHENG APPR: YXZHENG		GENERAL TOLERANCES (UNLESS SPECIFIED) ANGULAR TOL ± 3.0 °		DRWN BY: GLLI DATE: 2014/07/14					
	2020/11/02 2020/11/09 2020/11/09		4 PLACES ± 3 PLACES ± 0.1 2 PLACES ± 0.2 1 PLACE ± 0.3 0 PLACES ±		CHK'D BY: GLLI DATE: 2015/04/08		PRODUCT CUSTOMER DRAWING			
	DRAFT WHERE APPLICABLE MUST REMAIN WITHIN DIMENSIONS		DRAWING SIZE: A3 THIRD ANGLE PROJECTION		APPR BY: AYIN DATE: 2015/04/08					
	H		REV		A3		DOCUMENT NUMBER: SD-105309-100 DOC TYPE: PSD DOC PART: 000 SHEET NUMBER: 1 OF 5			

9 8 7 6 5 4 3 2 1

E  
D  
C  
B  
A



BLACK

NATURAL

COLOR OPTION

THIS DRAWING CONTAINS INFORMATION THAT IS PROPRIETARY TO MOLEX ELECTRONIC TECHNOLOGIES, LLC AND SHOULD NOT BE USED WITHOUT WRITTEN PERMISSION									
SYMBOLS	DIMENSION UNITS	SCALE	CURRENT REV DESC:				<b>molex</b>		
	$\nabla = 0$	mm							
$\nabla = 0$	GENERAL TOLERANCES (UNLESS SPECIFIED)		EC NO: 648137				HEADER OF NANO-FIT, S/R, VERTICAL, KINK POWER CONNECTOR		
$\nabla = 0$	ANGULAR TOL $\pm 3.0^\circ$		DRWN: GLLI 2020/11/02				PRODUCT CUSTOMER DRAWING		
$\nabla = 0$	4 PLACES $\pm$		CHK'D: YXZHENG 2020/11/09				DOCUMENT NUMBER		
$\nabla = 0$	3 PLACES $\pm 0.1$		APPR: YXZHENG 2020/11/09				SD-105309-100		
$\nabla = 0$	2 PLACES $\pm 0.2$		INITIAL REVISION:				DOC TYPE		
$\nabla = 0$	1 PLACE $\pm 0.3$		DRWN: GLLI 2015/05/28				DOC PART		
$\nabla = 0$	0 PLACES $\pm$		APPR: AYIN 2016/04/27				REVISION		
$\square = 0$	DRAFT WHERE APPLICABLE MUST REMAIN WITHIN DIMENSIONS		THIRD ANGLE PROJECTION		DRAWING	SERIES	MATERIAL NUMBER	CUSTOMER	SHEET NUMBER
$\nabla = 0$					A3-SIZE	105309		GENERAL MARKET	2 OF 5

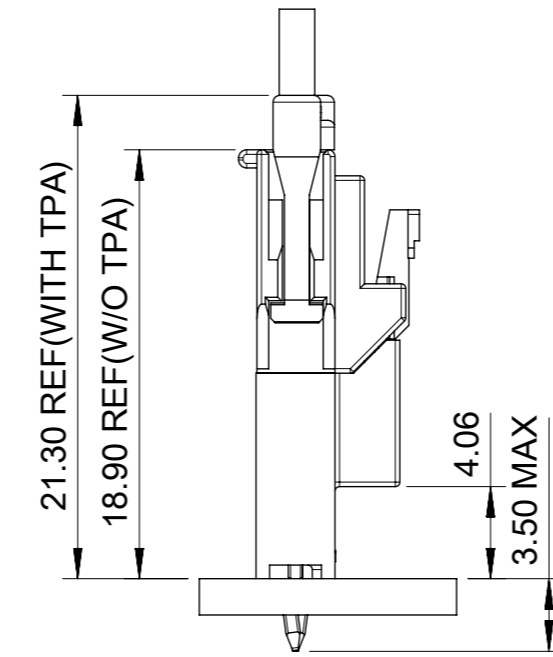
DOCUMENT STATUS	P1	RELEASE DATE	2020/11/09	01:28:35
-----------------	----	--------------	------------	----------

9 8 7 6 5 4 3 2 1

FORMAT: master-b-prod-A3  
REVISION: 11  
DATE: 2018/01/18

PART NUMBER	DIM 'A'	DIM 'B'	CKT SIZE	PLATING	LUBE
105309-1102	5.94	2.50	2	TIN	
105309-1103	8.44	5.00	3		
105309-1104	10.94	7.50	4		
105309-1105	13.44	10.00	5		
105309-1106	15.94	12.50	6		
105309-1107	18.44	15.00	7		
105309-1108	20.94	17.50	8		
105309-1202	5.94	2.50	2		
105309-1203	8.44	5.00	3		
105309-1204	10.94	7.50	4		
105309-1205	13.44	10.00	5		
105309-1206	15.94	12.50	6		
105309-1207	18.44	15.00	7		
105309-1208	20.94	17.50	8		
105309-1302	5.94	2.50	2	GOLD 0.76	
105309-1303	8.44	5.00	3		
105309-1304	10.94	7.50	4		
105309-1305	13.44	10.00	5		
105309-1306	15.94	12.50	6		
105309-1307	18.44	15.00	7		
105309-1308	20.94	17.50	8		
105309-1402	5.94	2.50	2		
105309-1403	8.44	5.00	3		
105309-1404	10.94	7.50	4		
105309-1405	13.44	10.00	5		
105309-1406	15.94	12.50	6		
105309-1407	18.44	15.00	7		
105309-1408	20.94	17.50	8		

COLOR: BLACK



105309- \* \* \* \*  
 \* CIRCUIT SIZE  
 \* PLATING OPTION  
 1 - TIN  
 2 - GOLD 0.38  
 3 - GOLD 0.76  
 4 - GOLD AND LUBE  
 \* COLOR OPTION  
 1 - BLACK  
 2 - NATURAL

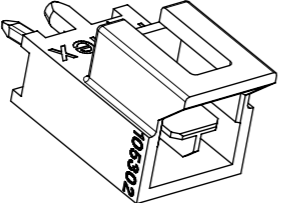
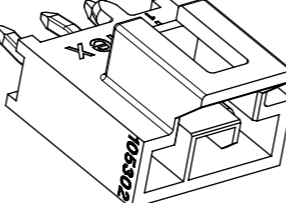
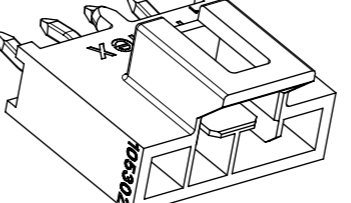
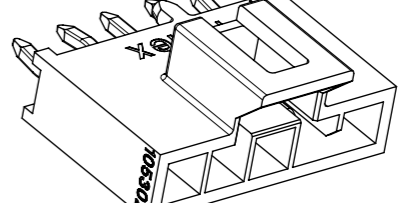
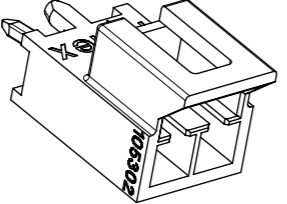
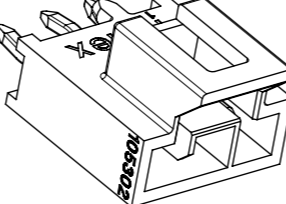
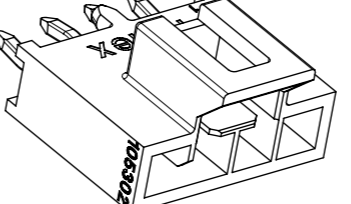
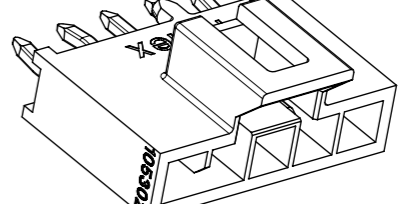
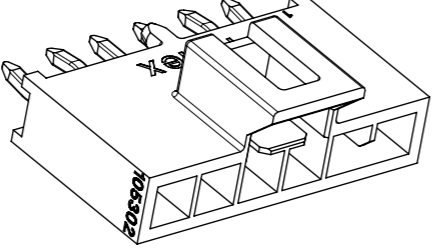
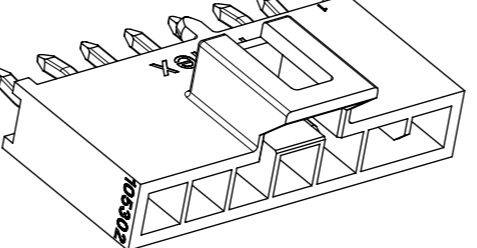
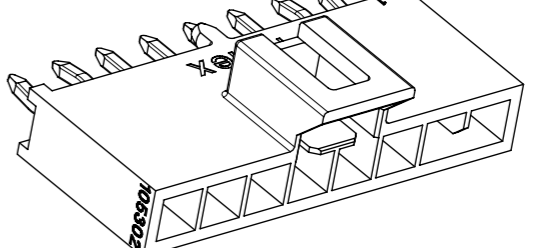
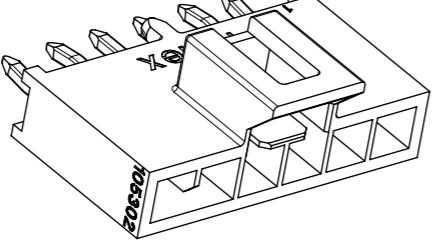
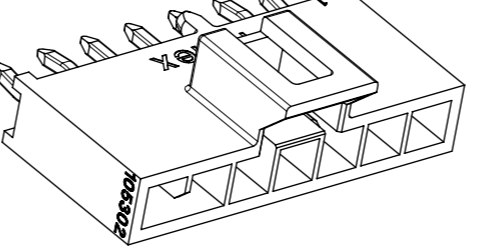
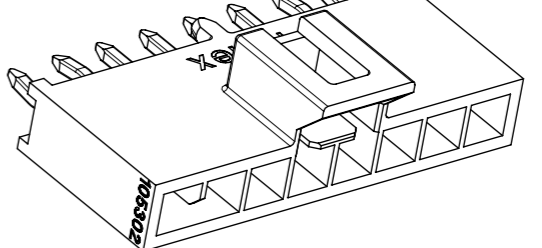
PART NUMBER	DIM 'A'	DIM 'B'	CKT SIZE	PLATING	LUBE
105309-2102	5.94	2.50	2	TIN	
105309-2103	8.44	5.00	3		
105309-2104	10.94	7.50	4		
105309-2105	13.44	10.00	5		
105309-2106	15.94	12.50	6		
105309-2107	18.44	15.00	7		
105309-2108	20.94	17.50	8		
105309-2202	5.94	2.50	2		
105309-2203	8.44	5.00	3		
105309-2204	10.94	7.50	4		
105309-2205	13.44	10.00	5		
105309-2206	15.94	12.50	6		
105309-2207	18.44	15.00	7		
105309-2208	20.94	17.50	8		
105309-2302	5.94	2.50	2	GOLD 0.76	
105309-2303	8.44	5.00	3		
105309-2304	10.94	7.50	4		
105309-2305	13.44	10.00	5		
105309-2306	15.94	12.50	6		
105309-2307	18.44	15.00	7		
105309-2308	20.94	17.50	8		
105309-2402	5.94	2.50	2		
105309-2403	8.44	5.00	3		
105309-2404	10.94	7.50	4		
105309-2405	13.44	10.00	5		
105309-2406	15.94	12.50	6		
105309-2407	18.44	15.00	7		
105309-2408	20.94	17.50	8		


COLOR: NATURAL

THIS DRAWING CONTAINS INFORMATION THAT IS PROPRIETARY TO MOLEX ELECTRONIC TECHNOLOGIES, LLC AND SHOULD NOT BE USED WITHOUT WRITTEN PERMISSION													
<b>QUALITY SYMBOLS</b> 	EC NO: 648137 DRWN: GLLI CHK'D: YXZHENG APPR: YXZHENG	<b>GENERAL TOLERANCES (UNLESS SPECIFIED)</b> ANGULAR TOL ± 3.0 ° 4 PLACES ± 3 PLACES ± 0.1 2 PLACES ± 0.2 1 PLACE ± 0.3 0 PLACES ±		DIMENSION UNITS <b>mm</b>	SCALE <b>3:1</b>	 <b>HEADER OF NANO-FIT, S/R, VERTICAL, KINK POWER CONNECTOR</b>							
		DRWN BY: GLLI DATE: 2014/07/14		CHK'D BY: GLLI DATE: 2014/07/14									
		APPR BY: AYIN DATE: 2015/04/08		DRAFT WHERE APPLICABLE MUST REMAIN WITHIN DIMENSIONS		DRAWING SIZE <b>A3</b>	THIRD ANGLE PROJECTION 	<b>PRODUCT CUSTOMER DRAWING</b>					
		SERIES: 105309		MATERIAL NUMBER: SEE CHART		CUSTOMER: GENERAL MARKET							
		DOCUMENT NUMBER: SD-105309-100		DOC TYPE: PSD		DOC PART: 000		SHEET NUMBER: 3 OF 5					

9 8 7 6 5 4 3 2 1

E  
D  
C  
B  
A

	2 CKT	3 CKT	4 CKT	5 CKT
BLACK				
NATURAL				
	6 CKT	7 CKT	8 CKT	
BLACK				
NATURAL				

THIS DRAWING CONTAINS INFORMATION THAT IS PROPRIETARY TO MOLEX ELECTRONIC TECHNOLOGIES, LLC AND SHOULD NOT BE USED WITHOUT WRITTEN PERMISSION												
<b>QUALITY SYMBOLS</b> = 0 = 0 = 0 = 0 = 0 = 0 = 0 = 0 = 0 = 0 = 0 = 0 = 0		EC NO: 648137 DRWN: GLLI CHK'D: YXZHENG APPR: YXZHENG		2020/11/02 2020/11/09 2020/11/09		<b>GENERAL TOLERANCES (UNLESS SPECIFIED)</b> ANGULAR TOL ± 3.0 ° 4 PLACES ± 3 PLACES ± 0.1 2 PLACES ± 0.2 1 PLACE ± 0.3 0 PLACES ± DRAFT WHERE APPLICABLE MUST REMAIN WITHIN DIMENSIONS		DIMENSION UNITS: mm SCALE: 3:1 DRWN BY: GLLI DATE: 2014/07/14 CHK'D BY: DATE: APPR BY: AYIN DATE: 2015/04/08 DRAWING SIZE: A3 THIRD ANGLE PROJECTION:		 HEADER OF NANO-FIT, S/R, VERTICAL, KINK POWER CONNECTOR PRODUCT CUSTOMER DRAWING		
RELEASE STATUS: P1		RELEASE DATE: 2020/11/09		01:28:35		SERIES: 105309		MATERIAL NUMBER: SEE SHEET 2		CUSTOMER: GENERAL MARKET		
DOCUMENT NUMBER: SD-105309-100						DOC TYPE: PSD		DOC PART: 000		SHEET NUMBER: 4 OF 5		

9 8 7 6 5 4 3 2 1

FORMAT: master-b-prod-A3  
 REVISION: 15  
 DATE: 2015/12/14



NOTES FOR ALL PARTS

1> MATERIAL:  
HOUSING: LCP 30% GF, UL 94V-0; TERMINAL: BRASS.

2> PLATING FINISHED:  
TERMINAL:  
CONTACT AREA: a. REFLOWED MATTE TIN 1.5MICRONS MIN;  
b. GOLD 0.38 MICRONS MIN;  
c. GOLD 0.76 MICRONS MIN.

SOLDER AREA: TIN 1.5 MICRONS MIN, UNDER PLATING NICKEL 1.25 MICRONS MIN.

SOLDER CLIP: TIN 2.5 MICRONS MIN, UNDER PLATING NICKEL 1.25 MICRONS MIN.

3> PRODUCT SPECIFICATION: PS-105300-100.

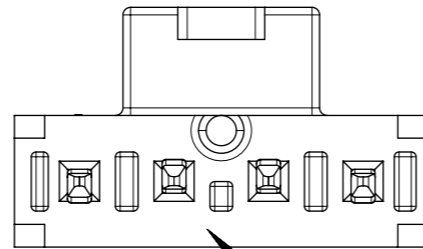
4> PACKAGE: TRAY, PK-105309-300.

5> ALL COMPONENTS AND PRODUCT COMPLIANT TO RoHS DIRECTIVE 2011/65/EU AND ELV DIRECTIVE 2000/53/EC.

6> PRODUCT MATE WITH SERIES OF 105307(RECEPTACLE), 105300(CRIMP TERMINAL).

7> PARTS CONFORM TO CLASS 'B'REQUIREMENTS OF COSMETIC SPECIFICATION PS-45499-002.

8> DISCOLORATION IN THE BANDOLIER PIN CARRIER AREA OF THE PIN IS INHERENT TO THE PLATING PROCESS AND IS DUE TO THE MASKING DEFECT OF THE CARRIER, THIS DISCOLORATION IS IN A NON-FUNCTION AREA OF THE PIN AND WILL NOT AFFECT THE PERFORMANCE OF THE HEADER ASSEMBLY.



IF ANY NUMBER MARK APPEARS ON THIS SURFACE, PLEASE DISREGARD IT, IT IS NO ANY FUCTION AND NO ANY RELATION TO PIN NUMBER, IT IS JUST FOR MOLDING IDENDIFICATION.

<b>QUALITY SYMBOLS</b> ▽A = 0 ▽E = 0 ▽F = 0 ▼ = 0 ▽C = 0 ⊗ = 0 ■ = 0 ▽ = 0	THIS DRAWING CONTAINS INFORMATION THAT IS PROPRIETARY TO MOLEX ELECTRONIC TECHNOLOGIES, LLC AND SHOULD NOT BE USED WITHOUT WRITTEN PERMISSION																	
	EC NO: 648137 DRWN: GLLI CHK'D: YXZHENG APPR: YXZHENG	2020/11/02		2020/11/09		2020/11/09		GENERAL TOLERANCES (UNLESS SPECIFIED)		DIMENSION UNITS		SCALE						
		4 PLACES		±				mm										
		3 PLACES		± 0.1				DRWN BY		DATE								
		2 PLACES		± 0.2				GLLI		2015/05/28								
		1 PLACE		± 0.3				CHK'D BY		DATE								
	0 PLACES		±				APPR BY		DATE									
	DRAFT WHERE APPLICABLE MUST REMAIN WITHIN DIMENSIONS						AYIN		2016/04/27		PRODUCT CUSTOMER DRAWING SERIES: 105309 MATERIAL NUMBER: SEE SHEET 2 CUSTOMER: GENERAL MARKET							
							DRAWING SIZE		THIRD ANGLE PROJECTION		DOCUMENT NUMBER		DOC TYPE		DOC PART		SHEET NUMBER	
							A3				SD-105309-100		PSD		000		5 OF 5	