



产品编号 : [1053131107](#)

系列号 : 105313

Product Category : PCB Headers and Receptacles

Product Description : Nano-Fit Right-Angle Header, Through Hole, 2.50mm Pitch, Single Row, 7 Circuits, Tin (Sn) Plating, Black, Glow-Wire Capable, Tray

状态 : Active

Packaging Alternative : 1053131507 (Embossed Tape on Reel)

文件和资源

图纸

[图纸 1053131107_sd.pdf](#)

[包装设计图 PK-105309-400-000.pdf](#)

3D 模型和设计文件

[3D模型 1053131107_stp.zip](#)

[符号足迹数据 SYM-105313-XX07-001.zip](#)

规格

[应用规格 AS-105300-100-001.pdf](#)

[产品规格 1053001000-PS-CH-000.pdf](#)

[产品规格 1053001000-PS-ES-000.pdf](#)

[产品规格 1053001000-PS-JP-000.pdf](#)


[产品规格 1053001000-PS-SK-000.pdf](#)

[产品规格 PS-105300-100-001.pdf](#)

[测试摘要 1053001000-TS-000.pdf](#)

产物环境合规

合规

GADSL/IMDS	Compliant with Exemption 44; 33
China RoHS	
EU ELV	Not Relevant
Low-Halogen Status	Low-Halogen per IEC 61249-2-21
REACH SVHC	Not Contained per D(2023)8585-DC (23 Jan 2024)
EU RoHS	Compliant per EU 2015/863

[多部分产品合规性声明](#)

- Eu RoHS

- REACH SVHC
- Low-Halogen
- IPC 1752A Class C
- IPC 1752A Class D
- Molex Product Compliance Declaration
- IEC-62474
- chemSHERPA (xml)

欧盟 RoHS 合格证书

产品详情

常规

状态	活动
类别	PCB Headers and Receptacles
系列	105313
说明	Nano-Fit Right-Angle Header, Through Hole, 2.50mm Pitch, Single Row, 7 Circuits, Tin (Sn) Plating, Black, Glow-Wire Capable, Tray
应用	Power, Wire-to-Board
元件类型	PCB Header
产品系列	Nano-Fit Power Connectors
产品名称	Nano-Fit
UPC	887191928951

机构

CSA	LR19980
UL	E29179

电气

每触点最大电流	8.0A
电压 - 最大	250V AC (RMS)/DC

物理

断开	否
回路数 (已载入)	7
电路数 (最多)	7

颜色-树脂	黑色
耐用性(插拔次数) - 最多次数	25
阻燃性	94V-0
符合灼热丝规范	是
可配插产品指南	否
插接极性	是
锁定插接部位	是
材料 - 金属	Brass
材料 - 接合部位电镀	Tin
材料 - 终端电镀	Tin
材料 - 树脂	Liquid Crystal Polymer
净重	0.840/g
行数	1
方向	Right Angle
包装形式	Tray
PC 焊脚长度	3.20mm
PCB 定位器	是
PCB 保持力	是
推荐的 PCB 厚度	1.60mm, 2.40mm
间距 - 插配接口	2.50mm
间距 - 终端界面	2.50mm
最薄镀层 - 接合部位	1.524µm
最薄镀层 - 端接	1.524µm
有极性的插配件	是
PCB 极性	是
有护墙的	是
可堆叠的	否
运行温度范围	-40° to +105° C
终端界面类型	Through Hole

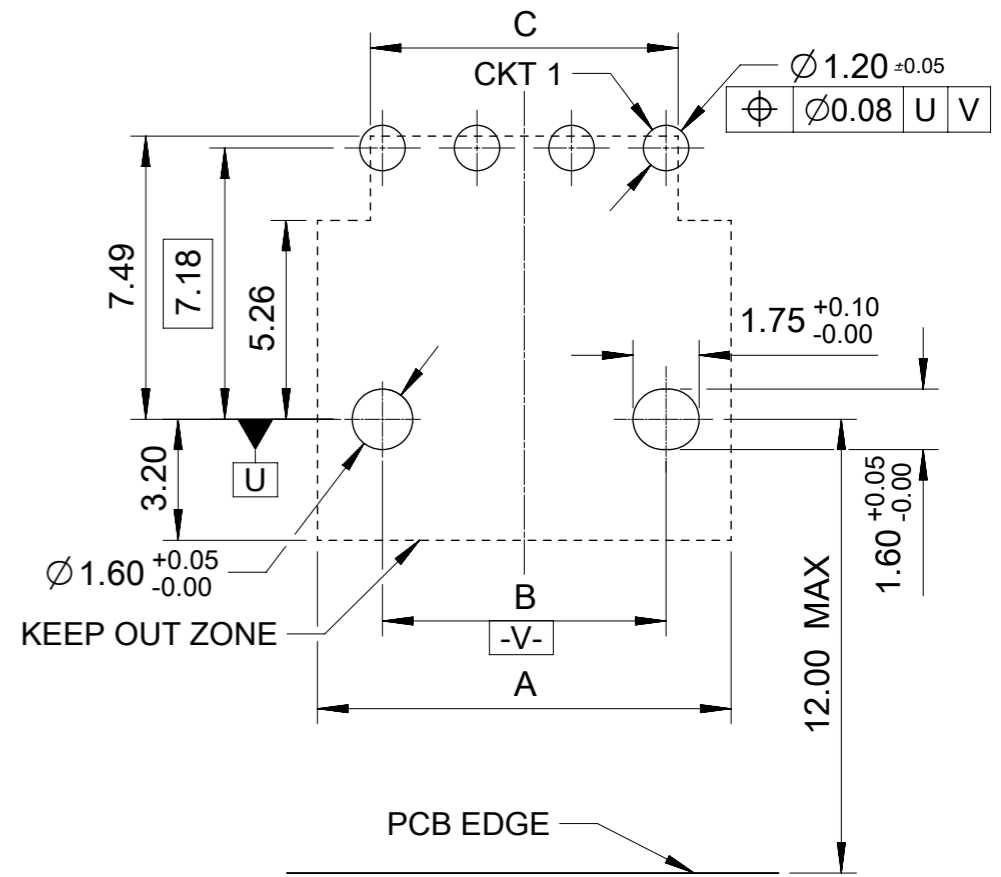
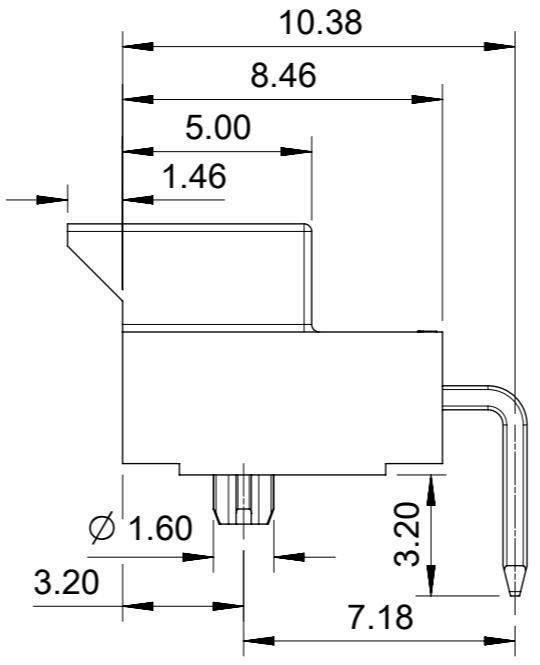
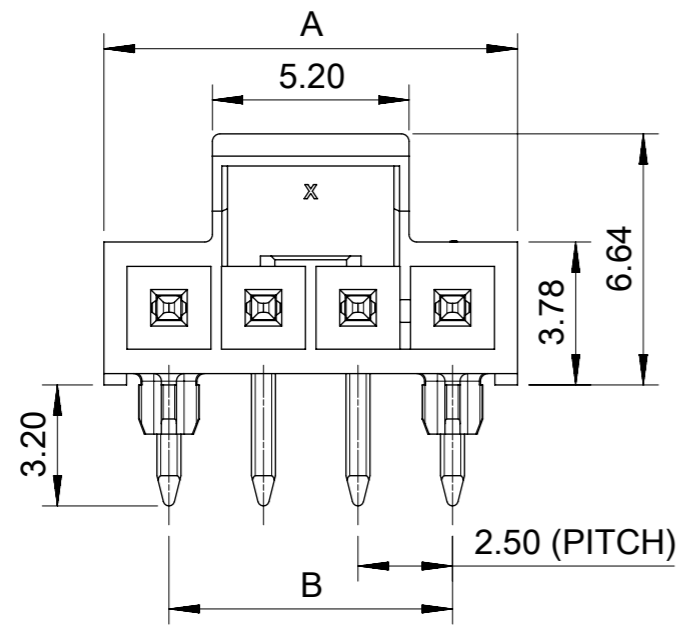
可配插/可连接使用的产品

可配插部件

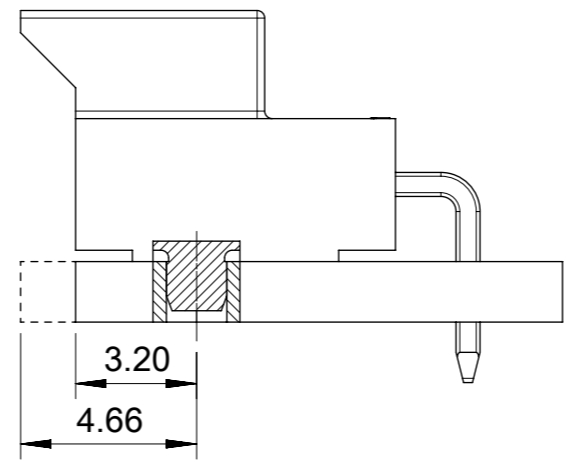
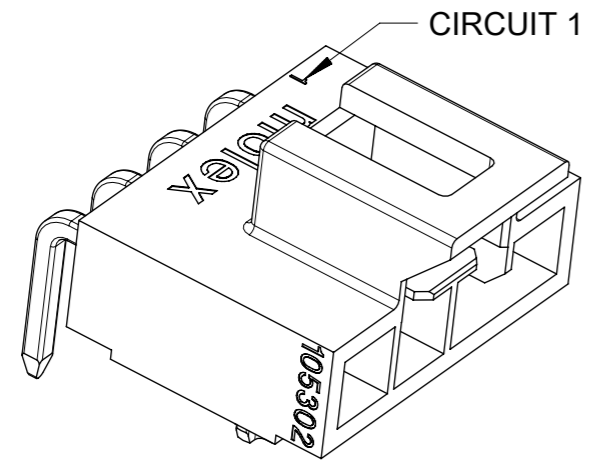
描述	产品编号
----	------

Nano-Fit Receptacle Housing, TPA Capable, 2.50mm Pitch, Single Row, 7 Circuits, Black, Glow-Wire Capable	<u>1053071207</u>
Nano-Fit-to-Nano-Fit Single Row Off-the-Shelf (OTS) Cable Assemblies	<u>145130</u>

This document was generated on Jun 03, 2024



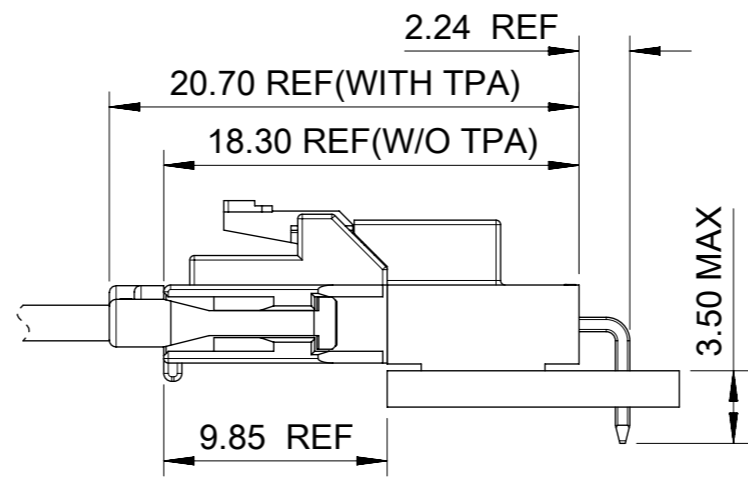
RECOMMENDED PCB(CONNECTOR SIDE VIEW) THICKNESS=1.6 TO 2.4 MM.



OPTION 1: LATCH FLUSH WITH PCB EDGE.
OPTION 2: HOUSING BODY FLUSH WITH PCB EDGE.

SYMBOLS	THIS DRAWING CONTAINS INFORMATION THAT IS PROPRIETARY TO MOLEX ELECTRONIC TECHNOLOGIES, LLC AND SHOULD NOT BE USED WITHOUT WRITTEN PERMISSION		CURRENT REV DESC:			molex			
	DIMENSION UNITS	SCALE							EC NO: 648137
▽ = 0	mm	NTS	DRWN: GLLI	2020/11/02		PRODUCT CUSTOMER DRAWING			
▽ = 0	GENERAL TOLERANCES (UNLESS SPECIFIED)		CHK'D: YXZHENG	2020/11/09		DOCUMENT NUMBER	DOC TYPE	DOC PART	REVISION
▽ = 0	ANGULAR TOL ± 3.0°		APPR: YXZHENG	2020/11/09		SD-105313-100	PSD	000	J
▽ = 0	4 PLACES ±		INITIAL REVISION:			MATERIAL NUMBER			
▽ = 0	3 PLACES ± 0.1		DRWN: GLLI			CUSTOMER			
▽ = 0	2 PLACES ± 0.2		APPR: AYIN			GENERAL MARKET			
▽ = 0	1 PLACE ± 0.3		THIRD ANGLE PROJECTION			SHEET NUMBER			
▽ = 0	0 PLACES ±		DRAWING			1 OF 5			
□ = 0	DRAFT WHERE APPLICABLE MUST REMAIN WITHIN DIMENSIONS		SERIES						
▽ = 0			A3-SIZE						

10	9	8	7	6	5	4	3	2	1
PART NUMBER	DIM 'A'	DIM 'B'	DIM 'C'	CKT SIZE	PLATING	LUBE			
105313-1102	5.94	2.50	3.14	2	TIN				
105313-1103	8.44	5.00	5.64	3					
105313-1104	10.94	7.50	8.14	4					
105313-1105	13.44	10.00	10.64	5					
105313-1106	15.94	12.50	13.14	6					
105313-1107	18.44	15.00	15.64	7					
105313-1108	20.94	17.50	18.14	8					
105313-1202	5.94	2.50	3.14	2	GOLD 0.38	NO			
105313-1203	8.44	5.00	5.64	3					
105313-1204	10.94	7.50	8.14	4					
105313-1205	13.44	10.00	10.64	5					
105313-1206	15.94	12.50	13.14	6					
105313-1207	18.44	15.00	15.64	7					
105313-1208	20.94	17.50	18.14	8					
105313-1302	5.94	2.50	3.14	2	GOLD 0.76				
105313-1303	8.44	5.00	5.64	3					
105313-1304	10.94	7.50	8.14	4					
105313-1305	13.44	10.00	10.64	5					
105313-1306	15.94	12.50	13.14	6					
105313-1307	18.44	15.00	15.64	7					
105313-1308	20.94	17.50	18.14	8					
105313-1402	5.94	2.50	3.14	2	GOLD 0.76	YES			
105313-1403	8.44	5.00	5.64	3					
105313-1404	10.94	7.50	8.14	4					
105313-1405	13.44	10.00	10.64	5					
105313-1406	15.94	12.50	13.14	6					
105313-1407	18.44	15.00	15.64	7					
105313-1408	20.94	17.50	18.14	8					
COLOR: BLACK									

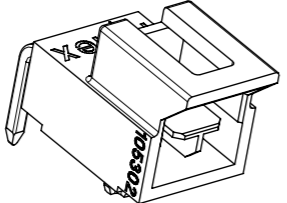
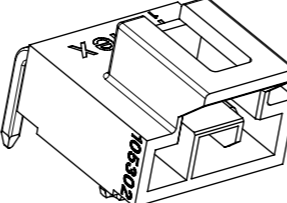
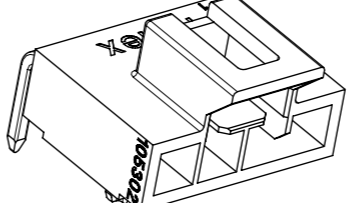
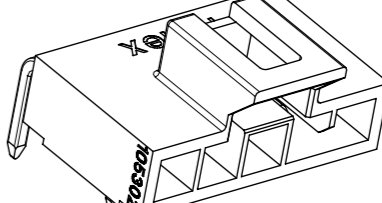
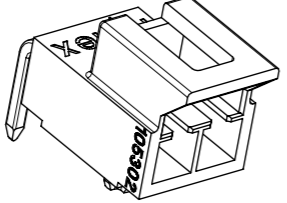
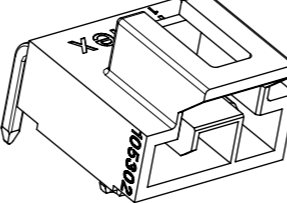
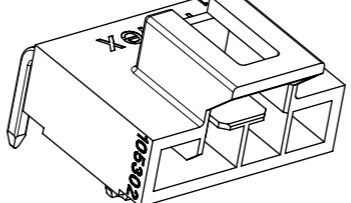
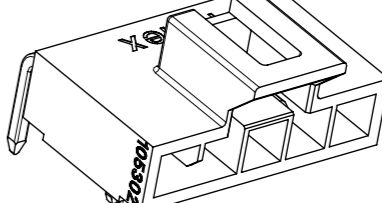
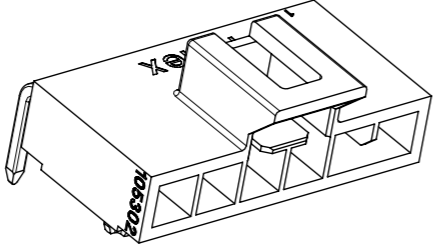
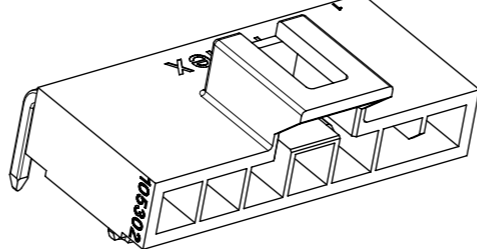
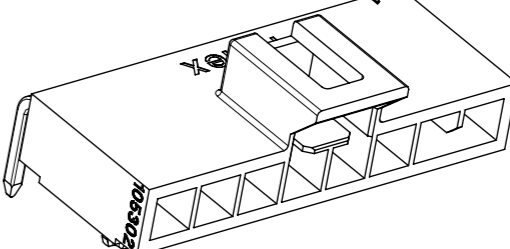
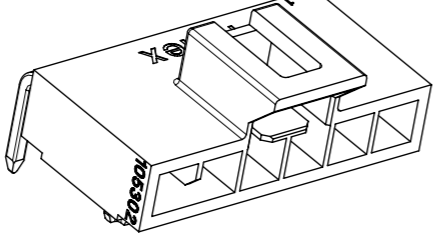
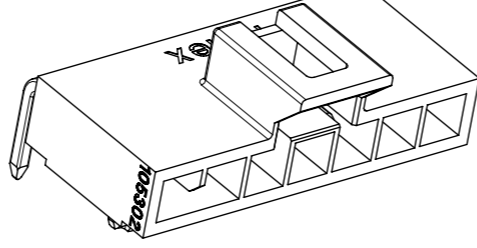
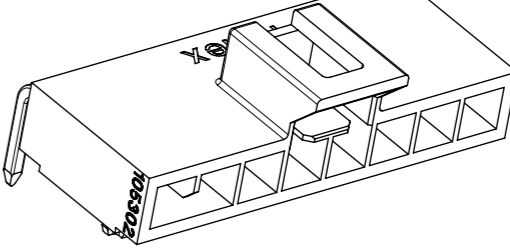


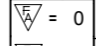
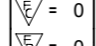
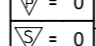
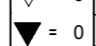
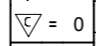
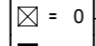
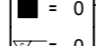


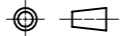
105313- * * * *

- CIRCUI T SIZE
- PLATING OPTION
 - 1 - TIN
 - 2 - GOLD 0.38
 - 3 - GOLD 0.76
 - 4 - GOLD AND LUBE
- COLOR OPTION
 - 1 - BLACK
 - 2 - NATURAL

10	9	8	7	6	5	4	3	2	1
PART NUMBER	DIM 'A'	DIM 'B'	DIM 'C'	CKT SIZE	PLATING	LUBE			
105313-2102	5.94	2.50	3.14	2	TIN				
105313-2103	8.44	5.00	5.64	3					
105313-2104	10.94	7.50	8.14	4					
105313-2105	13.44	10.00	10.64	5					
105313-2106	15.94	12.50	13.14	6					
105313-2107	18.44	15.00	15.64	7					
105313-2108	20.94	17.50	18.14	8					
105313-2202	5.94	2.50	3.14	2	GOLD 0.38	NO			
105313-2203	8.44	5.00	5.64	3					
105313-2204	10.94	7.50	8.14	4					
105313-2205	13.44	10.00	10.64	5					
105313-2206	15.94	12.50	13.14	6					
105313-2207	18.44	15.00	15.64	7					
105313-2208	20.94	17.50	18.14	8					
105313-2302	5.94	2.50	3.14	2	GOLD 0.76				
105313-2303	8.44	5.00	5.64	3					
105313-2304	10.94	7.50	8.14	4					
105313-2305	13.44	10.00	10.64	5					
105313-2306	15.94	12.50	13.14	6					
105313-2307	18.44	15.00	15.64	7					
105313-2308	20.94	17.50	18.14	8					
105313-2402	5.94	2.50	3.14	2	GOLD 0.76	YES			
105313-2403	8.44	5.00	5.64	3					
105313-2404	10.94	7.50	8.14	4					
105313-2405	13.44	10.00	10.64	5					
105313-2406	15.94	12.50	13.14	6					
105313-2407	18.44	15.00	15.64	7					
105313-2408	20.94	17.50	18.14	8					
COLOR: NATURAL									

SYMBOLS = 0 = 0 = 0 = 0 = 0 = 0 = 0 = 0 = 0	THIS DRAWING CONTAINS INFORMATION THAT IS PROPRIETARY TO MOLEX ELECTRONIC TECHNOLOGIES, LLC AND SHOULD NOT BE USED WITHOUT WRITTEN PERMISSION DIMENSION UNITS: mm SCALE: NTS	CURRENT REV DESC: EC NO: 648137 DRWN: GLLI 2020/11/02 CHK'D: YXZHENG 2020/11/09 APPR: YXZHENG 2020/11/09	 HEADER OF NANO-FIT, S/R, R/A POWER CONNECTOR	
	GENERAL TOLERANCES (UNLESS SPECIFIED) ANGULAR TOL ± 3.0° 4 PLACES ± 3 PLACES ± 0.1 2 PLACES ± 0.2 1 PLACE ± 0.3 0 PLACES ±	INITIAL REVISION: DRWN: GLLI 2015/05/29 APPR: AYIN 2016/04/27		PRODUCT CUSTOMER DRAWING DOCUMENT NUMBER: SD-105313-100 DOC TYPE: PSD DOC PART: 000 REVISION: J
	DRAFT WHERE APPLICABLE MUST REMAIN WITHIN DIMENSIONS	THIRD ANGLE PROJECTION	DRAWING: A3-SIZE SERIES: 105313	MATERIAL NUMBER: GENERAL MARKET CUSTOMER: SHEET NUMBER: 3 OF 5

		2 CKT	3 CKT	4 CKT	5 CKT
F	BLACK				
E	NATURAL				
		6 CKT	7 CKT	8 CKT	
D	BLACK				
C	NATURAL				

SYMBOLS  = 0  = 0  = 0  = 0  = 0  = 0  = 0  = 0	THIS DRAWING CONTAINS INFORMATION THAT IS PROPRIETARY TO MOLEX ELECTRONIC TECHNOLOGIES, LLC AND SHOULD NOT BE USED WITHOUT WRITTEN PERMISSION DIMENSION UNITS: mm SCALE: NTS GENERAL TOLERANCES (UNLESS SPECIFIED) ANGULAR TOL ± 3.0° 4 PLACES ± 3 PLACES ± 0.1 2 PLACES ± 0.2 1 PLACE ± 0.3 0 PLACES ± DRAFT WHERE APPLICABLE MUST REMAIN WITHIN DIMENSIONS	CURRENT REV DESC: EC NO: 648137 DRWN: GLLI 2020/11/02 CHK'D: YXZHENG 2020/11/09 APPR: YXZHENG 2020/11/09 INITIAL REVISION: DRWN: GLLI 2015/05/29 APPR: AYIN 2016/04/27	 HEADER OF NANO-FIT, S/R, R/A POWER CONNECTOR PRODUCT CUSTOMER DRAWING	
	THIRD ANGLE PROJECTION 	DRAWING: A3-SIZE SERIES: 105313		DOCUMENT NUMBER: SD-105313-100 DOC TYPE: PSD DOC PART: 000 REVISION: J
	MATERIAL NUMBER: GENERAL MARKET		CUSTOMER: GENERAL MARKET SHEET NUMBER: 4 OF 5	

NOTES FOR ALL PARTS

1> MATERIAL:
HOUSING: LCP, UL 94V-0; TERMINAL: BRASS.

2> PLATING FINISHED:
TERMINAL:
CONTACT AREA: a. REFLOWED MATTE TIN 1.5MICRONS MIN;
b. GOLD 0.38 MICRONS MIN;
c. GOLD 0.76 MICRONS MIN.

SOLDER AREA: TIN 1.5 MICRONS MIN, UNDER PLATING NICKEL 1.25 MICRONS MIN.

SOLDER CLIP: TIN 2.5 MICRONS MIN, UNDER PLATING NICKEL 1.25 MICRONS MIN.

3> PRODUCT SPECIFICATION: PS-105300-100.

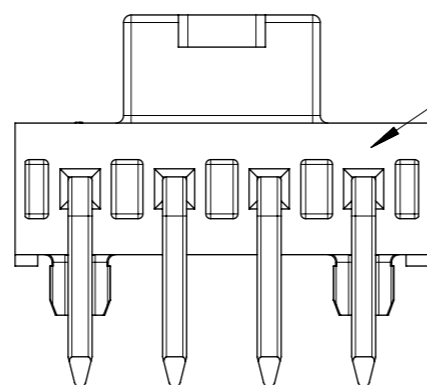
4> PACKAGE: TRAY, PK-105309-400.

5> ALL COMPONENTS AND PRODUCT COMPLIANT TO RoHS DIRECTIVE 2011/65/EU AND ELV DIRECTIVE 2000/53/EC.

6> PRODUCT MATE WITH SERIES OF 105307(RECEPTACLE), 105300(CRIMP TERMINAL).

7> PARTS CONFORM TO CLASS 'B'REQUIREMENTS OF COSMETIC SPECIFICATION PS-45499-002.

8> DISCOLORATION IN THE BANDOLIER PIN CARRIER AREA OF THE PIN IS INHERENT TO THE PLATING PROCESS AND IS DUE TO THE MASKING DEFECT OF THE CARRIER, THIS DISCOLORATION IS IN A NON-FUNCTION AREA OF THE PIN AND WILL NOT AFFECT THE PERFORMANCE OF THE HEADER ASSEMBLY.



IF ANY NUMBER MARK APPEARS ON THIS SURFACE, PLEASE DISREGARD IT, IT IS NO ANY FUCTION AND NO ANY RELATION TO PIN NUMBER, IT IS JUST FOR MOLDING IDENTIFICATION.

SYMBOLS	THIS DRAWING CONTAINS INFORMATION THAT IS PROPRIETARY TO MOLEX ELECTRONIC TECHNOLOGIES, LLC AND SHOULD NOT BE USED WITHOUT WRITTEN PERMISSION		CURRENT REV DESC:		molex			
	DIMENSION UNITS	SCALE						
▽ = 0	mm	NTS	EC NO: 648137 DRWN: GLLI 2020/11/02 CHK'D: YXZHENG 2020/11/09 APPR: YXZHENG 2020/11/09		HEADER OF NANO-FIT, S/R, R/A POWER CONNECTOR			
▽ = 0	GENERAL TOLERANCES (UNLESS SPECIFIED)							
▽ = 0	ANGULAR TOL ± 3.0°				PRODUCT CUSTOMER DRAWING			
▽ = 0	4 PLACES	±						
▽ = 0	3 PLACES	± 0.1			INITIAL REVISION:		DOCUMENT NUMBER	DOC TYPE
▽ = 0	2 PLACES	± 0.2	DRWN: GLLI 2015/05/29	SD-105313-100			PSD	000
▽ = 0	1 PLACE	± 0.3	APPR: AYIN 2016/04/27	MATERIAL NUMBER		CUSTOMER		SHEET NUMBER
▽ = 0	0 PLACES	±	DRAFT WHERE APPLICABLE MUST REMAIN WITHIN DIMENSIONS	THIRD ANGLE PROJECTION	DRAWING	SERIES	GENERAL MARKET	
▽ = 0			A3-SIZE		105313			5 OF 5