



产品编号 : 1053251002

系列号 : 105325

Product Category : Connector Accessories

Product Description : Nano-Fit Terminal
Position Assurance (TPA) Retainer, 2.50mm
Pitch, 2 Circuits, Black

状态 : Active

文件和资源

图纸

图纸 1053251002_sd.pdf

包装设计图 PK-105325-100-000.pdf

3D 模型和设计文件

3D模型 1053251002_stp.zip

规格


应用规格 AS-105300-100-001.pdf

产品规格 PS-105300-100-001.pdf

测试摘要 1053000000-TS-000.pdf

产物环境合规

合规

GADSL/IMDS	Not Relevant
China RoHS	
EU ELV	Not Relevant
Low-Halogen Status	Low-Halogen per IEC 61249-2-21
REACH SVHC	Not Contained per D(2023)8585-DC (23 Jan 2024)
EU RoHS	Compliant per EU 2015/863

多部分产品合规性声明

- Eu RoHS
- REACH SVHC
- Low-Halogen

- IPC 1752A Class C
- IPC 1752A Class D
- Molex Product Compliance Declaration

- IEC-62474

- chemSHERPA (xml)

欧盟 RoHS 合格证书

产品详情

常规

状态	活动
类别	Connector Accessories
系列	105325
说明	Nano-Fit Terminal Position Assurance (TPA) Retainer, 2.50mm Pitch, 2 Circuits, Black
个评论	Operating temperature is -40° to +105° for tin and -40° to +115° for gold
元件类型	Terminal Position Assurance
产品系列	Nano-Fit Power Connectors
产品名称	Nano-Fit
UPC	889056028554

物理

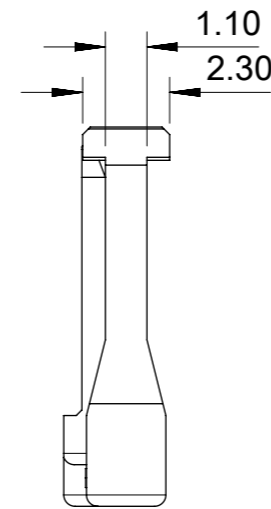
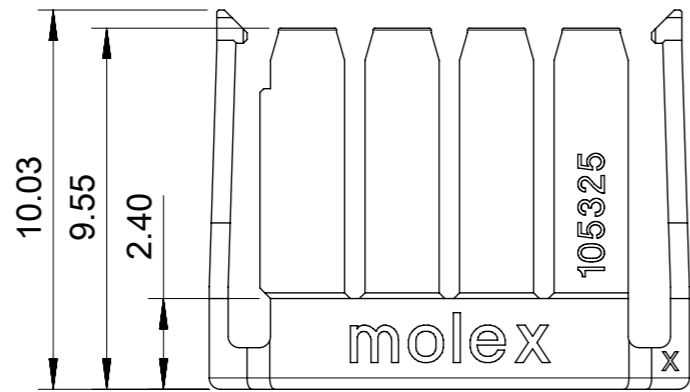
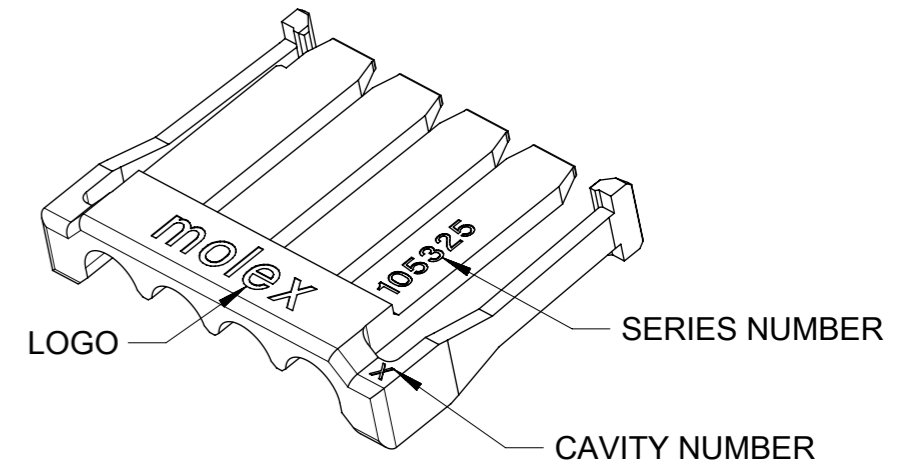
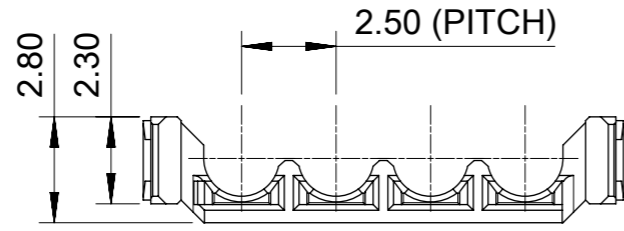
回路数 (已载入)	2
电路数 (最多)	2
颜色-树脂	黑色
锁定插接部位	是
材料 - 树脂	Nylon
净重	0.080/g
行数	1
包装形式	Bag
运行温度范围	-40° to +105° C, -40° to +115° C

可连接使用部件

描述	产品编号
Nano-Fit TPA Capable Single Row Receptacle Housings	<u>105307</u>

Nano-Fit TPA Capable Dual Row Receptacle Housings	<u>105308</u>
Nano-Fit TPA Capable Single Row Plug Housings	<u>200277</u>
Nano-Fit Dual Row TPA Capable Plug Housings	<u>201444</u>
Nano-Fit BMI TPA Capable Plug Housings	<u>224556</u>

This document was generated on Jun 30, 2024

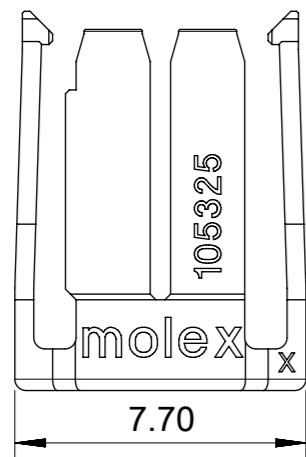


NOTES:

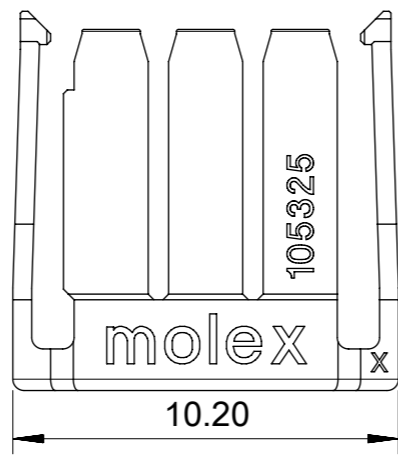
1. MATERIAL: PA4T, 30% GLASS FILLED, UL-94V-0.
2. PRODUCT SPECIFICATION: PS-105300-100.
3. PACKAGE SPECIFICATION: BAG, PK-105325-100.
4. THE COMPONENT COMPLIANT TO RoHS DIRECTIVE 2011/65/EU AND ELV DIRECTIVE 2000/53/EC.
5. PRODUCT MATES WITH SERIES OF 105307 AND 105308 (RECEPTACLE).
6. PARTS CONFORM TO CLASS 'B' REQUIREMENTS OF COSMETIC SPECIFICATION PS-45499-002.

THIS DRAWING CONTAINS INFORMATION THAT IS PROPRIETARY TO MOLEX ELECTRONIC TECHNOLOGIES, LLC AND SHOULD NOT BE USED WITHOUT WRITTEN PERMISSION																	
QUALITY SYMBOLS 	EC NO: 103921 DRWN: GLLI CHK'D: AYIN REV APPR: AYIN	GENERAL TOLERANCES (UNLESS SPECIFIED) ANGULAR TOL ± 3.0 °		DIMENSION UNITS	SCALE	 TPA OF NANO-FIT RECEPTACLE, POWER CONNECTOR											
		4 PLACES ±		mm	5:1												
		3 PLACES ± 0.1		DRWN BY	DATE												
		2 PLACES ± 0.2		GLLI	2014/12/12	CHK'D BY		DATE		PRODUCT CUSTOMER DRAWING							
		1 PLACE ± 0.3		AYIN		2015/08/24		APPR BY		DATE		SERIES		MATERIAL NUMBER		CUSTOMER	
		0 PLACES ±		DRAFT WHERE APPLICABLE MUST REMAIN WITHIN DIMENSIONS		A3		THIRD ANGLE PROJECTION				105325		SEE SHEET 2		GENERAL MARKET	
										DOCUMENT NUMBER		DOC TYPE		DOC PART		SHEET NUMBER	
										SD-105325-100		PSD		000		1 OF 2	

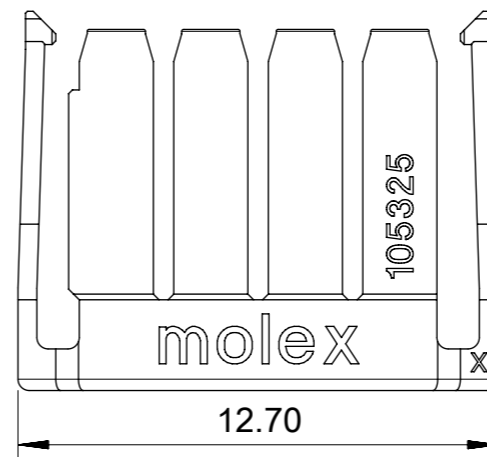
RELEASE STATUS	RELEASE DATE	07:07:27
----------------	--------------	----------



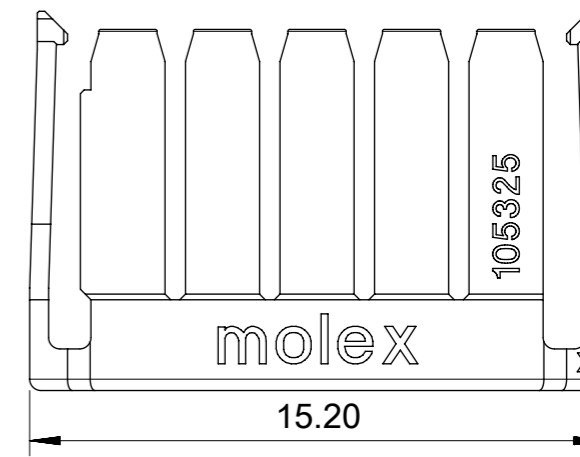
BLACK: 105325-1002
NATURAL: 105325-2002



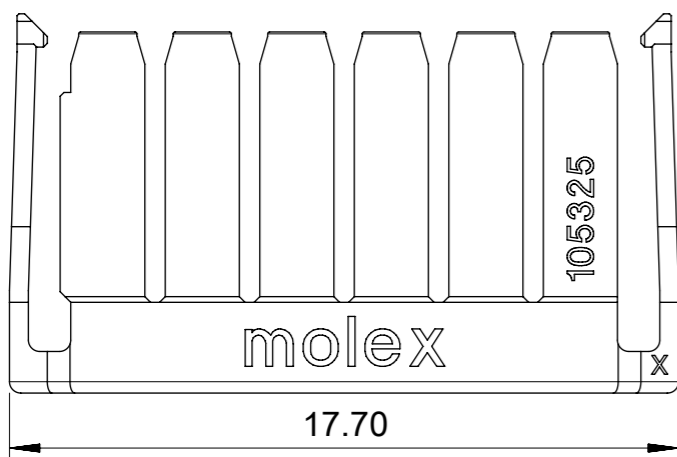
BLACK: 105325-1003
NATURAL: 105325-2003



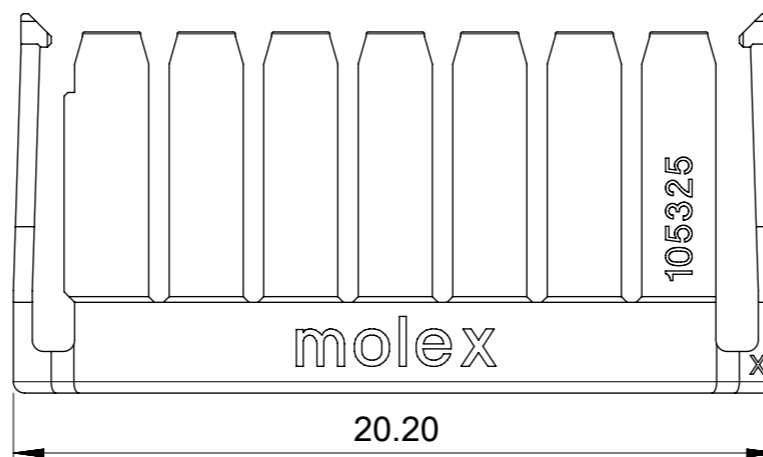
BLACK: 105325-1004
NATURAL: 105325-2004



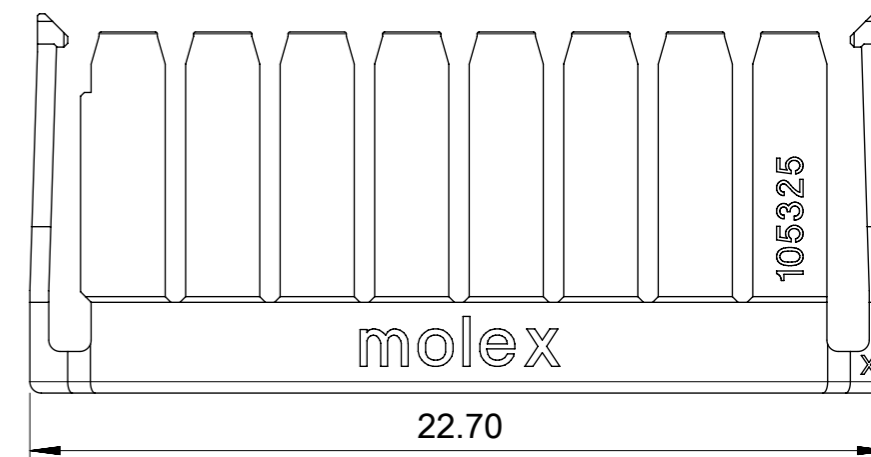
BLACK: 105325-1005
NATURAL: 105325-2005



BLACK: 105325-1006
NATURAL: 105325-2006



BLACK: 105325-1007
NATURAL: 105325-2007



BLACK: 105325-1008
NATURAL: 105325-2008

QUALITY SYMBOLS 	THIS DRAWING CONTAINS INFORMATION THAT IS PROPRIETARY TO MOLEX ELECTRONIC TECHNOLOGIES, LLC AND SHOULD NOT BE USED WITHOUT WRITTEN PERMISSION									
	EC NO: 103921 DRWN: GLLI CHK'D: AYIN REV APPR: AYIN	2016/03/31 2016/04/27 2016/04/27		GENERAL TOLERANCES (UNLESS SPECIFIED) ANGULAR TOL ± 3.0 °		DIMENSION UNITS: mm SCALE: 5:1				
		4 PLACES ± 3 PLACES ± 0.1 2 PLACES ± 0.2 1 PLACE ± 0.3 0 PLACES ±		DRWN BY: GLLI DATE: 2014/12/12		TPA OF NANO-FIT RECEPTACLE, POWER CONNECTOR				
	DRAFT WHERE APPLICABLE MUST REMAIN WITHIN DIMENSIONS		APPR BY: AYIN DATE: 2015/08/24		PRODUCT CUSTOMER DRAWING			SERIES: 105325 MATERIAL NUMBER: SEE REMARK CUSTOMER: GENERAL MARKET		
	DRAWING SIZE: A3 THIRD ANGLE PROJECTION		DOCUMENT NUMBER: SD-105325-100 DOC TYPE: PSD DOC PART: 000 SHEET NUMBER: 2 OF 2							