



产品编号 : 1053251004

系列号 : 105325

Product Category : Connector Accessories

Product Description : Nano-Fit Terminal
Position Assurance (TPA) Retainer, 2.50mm
Pitch, 4 Circuits, Black

状态 : Active

文件和资源

图纸

图纸 1053251004_sd.pdf

包装设计图 PK-105325-100-000.pdf

3D 模型和设计文件

3D模型 1053251004_stp.zip

规格


应用规格 AS-105300-100-001.pdf

产品规格 PS-105300-100-001.pdf

测试摘要 1053000000-TS-000.pdf

产物环境合规

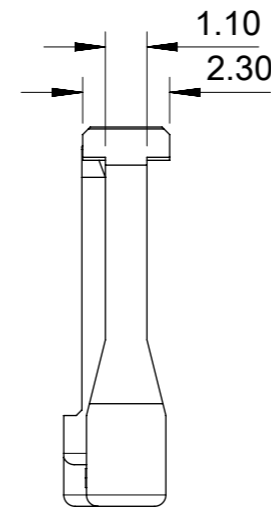
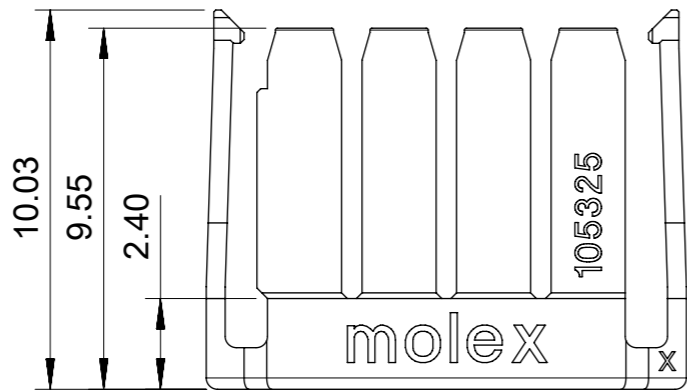
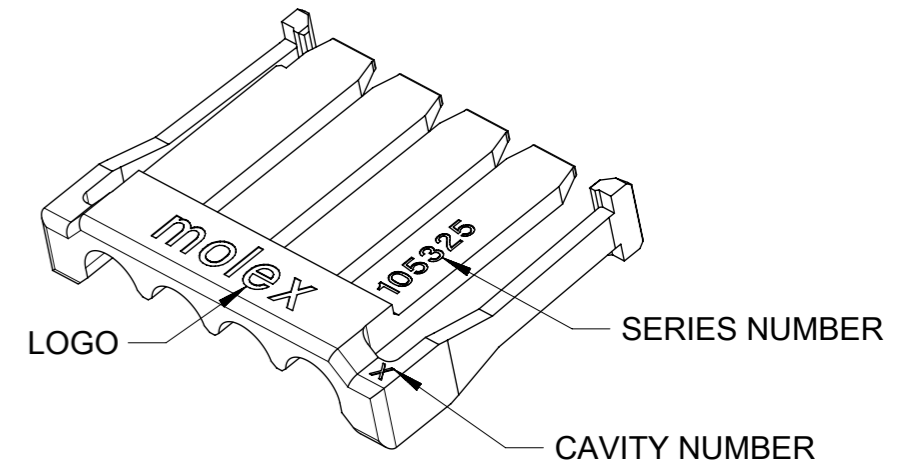
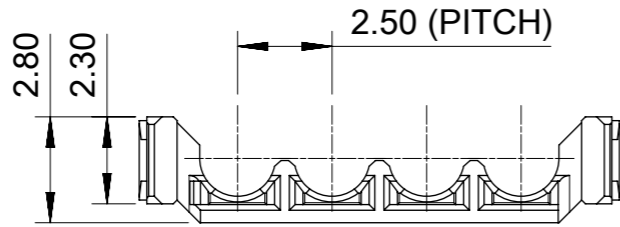
合规

GADSL/IMDS	Not Relevant
China RoHS	
EU ELV	Not Relevant
Low-Halogen Status	Low-Halogen per IEC 61249-2-21
REACH SVHC	Not Contained per D(2023)8585-DC (23 Jan 2024)
EU RoHS	Compliant per EU 2015/863

多部分产品合规性声明

- Eu RoHS
- REACH SVHC
- Low-Halogen

- IPC 1752A Class C
- IPC 1752A Class D
- Molex Product Compliance Declaration

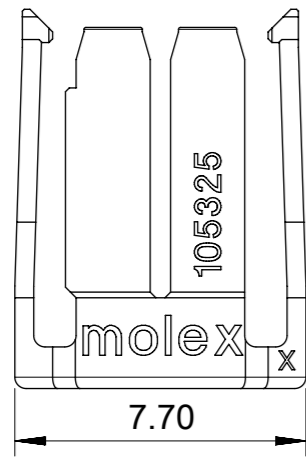


NOTES:

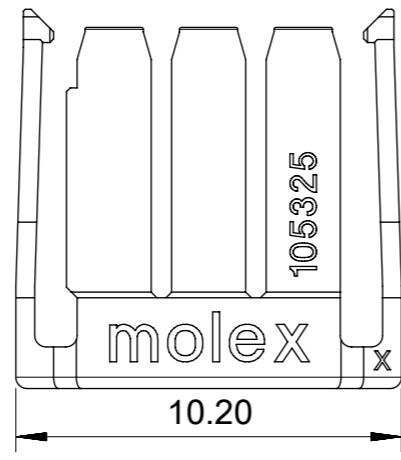
1. MATERIAL: PA4T, 30% GLASS FILLED, UL-94V-0.
2. PRODUCT SPECIFICATION: PS-105300-100.
3. PACKAGE SPECIFICATION: BAG, PK-105325-100.
4. THE COMPONENT COMPLIANT TO RoHS DIRECTIVE 2011/65/EU AND ELV DIRECTIVE 2000/53/EC.
5. PRODUCT MATES WITH SERIES OF 105307 AND 105308 (RECEPTACLE).
6. PARTS CONFORM TO CLASS 'B' REQUIREMENTS OF COSMETIC SPECIFICATION PS-45499-002.

THIS DRAWING CONTAINS INFORMATION THAT IS PROPRIETARY TO MOLEX ELECTRONIC TECHNOLOGIES, LLC AND SHOULD NOT BE USED WITHOUT WRITTEN PERMISSION												
QUALITY SYMBOLS 		GENERAL TOLERANCES (UNLESS SPECIFIED) ANGULAR TOL ± 3.0 ° 4 PLACES ± 3 PLACES ± 0.1 2 PLACES ± 0.2 1 PLACE ± 0.3 0 PLACES ± DRAFT WHERE APPLICABLE MUST REMAIN WITHIN DIMENSIONS			DIMENSION UNITS: mm SCALE: 5:1		 TPA OF NANO-FIT RECEPTACLE, POWER CONNECTOR			PRODUCT CUSTOMER DRAWING		
EC NO: 103921 DRWN: GLLI CHK'D: AYIN REV APPR: AYIN		DRWN BY: GLLI DATE: 2014/12/12		CHK'D BY: AYIN DATE: 2015/08/24		SERIES: 105325						
B		DRAFT WHERE APPLICABLE MUST REMAIN WITHIN DIMENSIONS		DRAWING SIZE: A3 THIRD ANGLE PROJECTION		DOCUMENT NUMBER: SD-105325-100			DOC TYPE: PSD	DOC PART: 000	SHEET NUMBER: 1 OF 2	

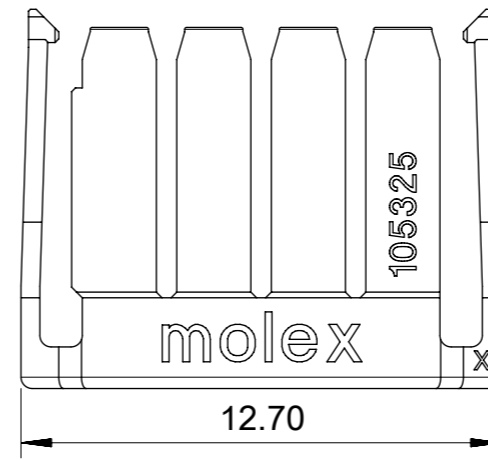
RELEASE STATUS	RELEASE DATE	07:07:27
----------------	--------------	----------



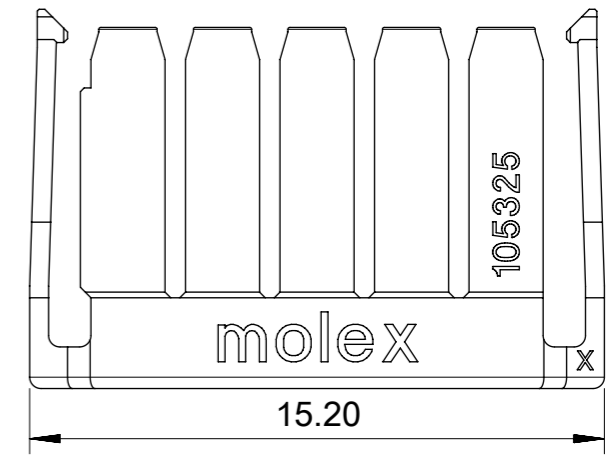
BLACK: 105325-1002
NATURAL: 105325-2002



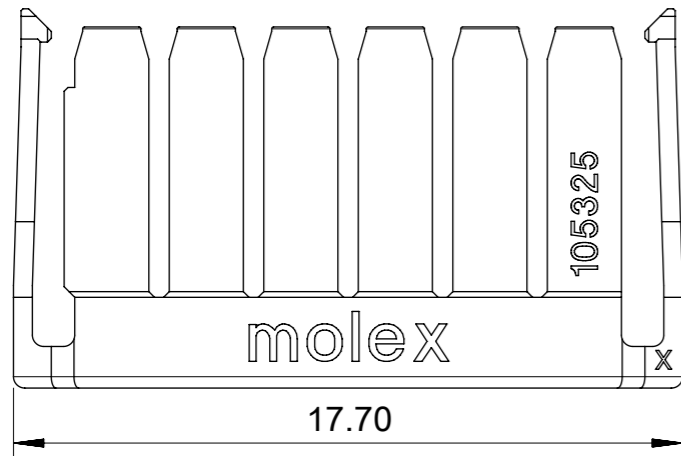
BLACK: 105325-1003
NATURAL: 105325-2003



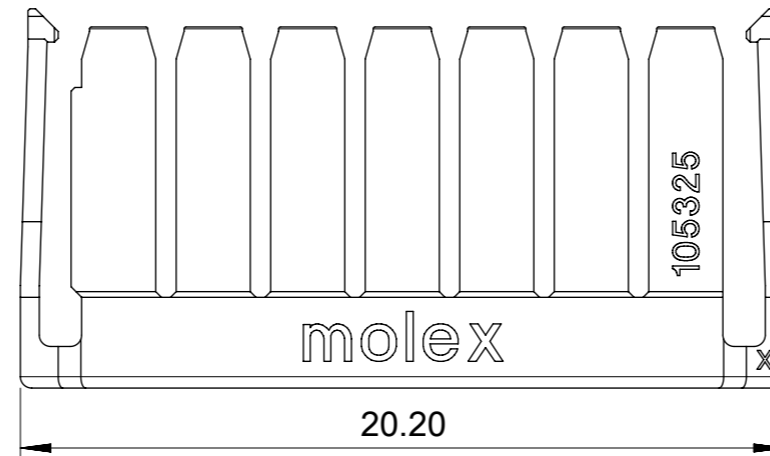
BLACK: 105325-1004
NATURAL: 105325-2004



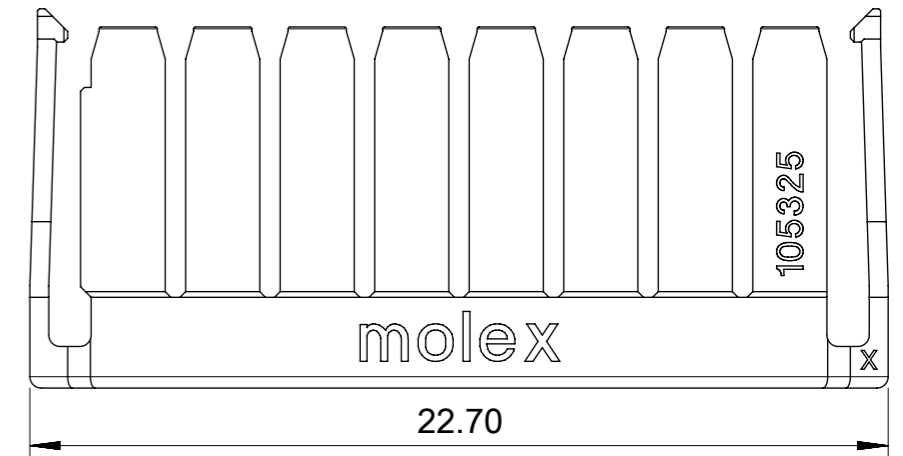
BLACK: 105325-1005
NATURAL: 105325-2005



BLACK: 105325-1006
NATURAL: 105325-2006



BLACK: 105325-1007
NATURAL: 105325-2007



BLACK: 105325-1008
NATURAL: 105325-2008

QUALITY SYMBOLS 	THIS DRAWING CONTAINS INFORMATION THAT IS PROPRIETARY TO MOLEX ELECTRONIC TECHNOLOGIES, LLC AND SHOULD NOT BE USED WITHOUT WRITTEN PERMISSION										
	EC NO: 103921 DRWN: GLLI CHK'D: AYIN REV APPR: AYIN	GENERAL TOLERANCES (UNLESS SPECIFIED) ANGULAR TOL ± 3.0 °		DIMENSION UNITS	SCALE						
		4 PLACES ± 3 PLACES ± 0.1 2 PLACES ± 0.2 1 PLACE ± 0.3 0 PLACES ±		mm	5:1						
	DRAFT WHERE APPLICABLE MUST REMAIN WITHIN DIMENSIONS		DRWN BY	DATE	TPA OF NANO-FIT RECEPTACLE, POWER CONNECTOR						
	B	REV	DRAFT WHERE APPLICABLE MUST REMAIN WITHIN DIMENSIONS		CHK'D BY	DATE	PRODUCT CUSTOMER DRAWING				
			DRAFT WHERE APPLICABLE MUST REMAIN WITHIN DIMENSIONS		APPR BY	DATE	SERIES MATERIAL NUMBER CUSTOMER				
			DRAFT WHERE APPLICABLE MUST REMAIN WITHIN DIMENSIONS		AYIN	2015/08/24	105325 SEE REMARK GENERAL MARKET				
			DRAFT WHERE APPLICABLE MUST REMAIN WITHIN DIMENSIONS		DRAWING SIZE	THIRD ANGLE PROJECTION	DOCUMENT NUMBER DOC TYPE DOC PART SHEET NUMBER				
	DRAFT WHERE APPLICABLE MUST REMAIN WITHIN DIMENSIONS		A3				SD-105325-100 PSD 000 2 OF 2				

- IEC-62474

- chemSHERPA (xml)

欧盟 RoHS 合格证书

产品详情

常规

状态	活动
类别	Connector Accessories
系列	105325
说明	Nano-Fit Terminal Position Assurance (TPA) Retainer, 2.50mm Pitch, 4 Circuits, Black
个评论	Operating temperature is -40° to +105° for tin and -40° to +115° for gold
元件类型	Terminal Position Assurance
产品系列	Nano-Fit Power Connectors
产品名称	Nano-Fit
UPC	889056028578

物理

回路数 (已载入)	4
电路数 (最多)	4
颜色-树脂	黑色
锁定插接部位	是
材料 - 树脂	Nylon
净重	0.120/g
行数	1
包装形式	Bag
运行温度范围	-40° to +105° C, -40° to +115° C

可连接使用部件

描述	产品编号
Nano-Fit TPA Capable Single Row Receptacle Housings	<u>105307</u>

Nano-Fit TPA Capable Dual Row Receptacle Housings	<u>105308</u>
Nano-Fit TPA Capable Single Row Plug Housings	<u>200277</u>
Nano-Fit Dual Row TPA Capable Plug Housings	<u>201444</u>
Nano-Fit BMI TPA Capable Plug Housings	<u>224556</u>

This document was generated on Jun 30, 2024