



产品编号 : 1300350085

系列号 : 130006

Product Category : Industrial Tees and Splitters

Product Description : DeviceNet Mini-Change Tee, 4 Poles, Female/Male with Female Drop

状态 : Active

工程编号 : DNETAUXPT


文件和资源

图纸

图纸 1300350085_sd.pdf

产物环境合规

合规

GADSL/IMDS	Not Relevant
China RoHS	
EU ELV	Not Relevant
Low-Halogen Status	Not Low-Halogen per IEC 61249-2-21
REACH SVHC	Contains Lead; Medium-chain chlorinated paraffins (MCCP) per D(2022)9120-DC (17 Jan 2023)
EU RoHS	Compliant with Exemption 6(c) per EU 2015/863

多部分产品合规性声明

- Eu RoHS
- REACH SVHC
- Low-Halogen

- IPC 1752A Class C
- IPC 1752A Class D
- Molex Product Compliance Declaration
- IEC-62474
- chemSHERPA (xml)

欧盟 RoHS 合格证书

产品详情

常规

状态	活动
类别	Industrial Tees and Splitters
系列	130006
说明	DeviceNet Mini-Change Tee, 4 Poles, Female/Male with Female Drop
IP 等级	IP67
产品系列	DeviceNet Solutions
产品名称	DeviceNet Trunk
类型	Power Tap Tee
UPC	78678850378

机构

UL	E152210
----	---------

电气

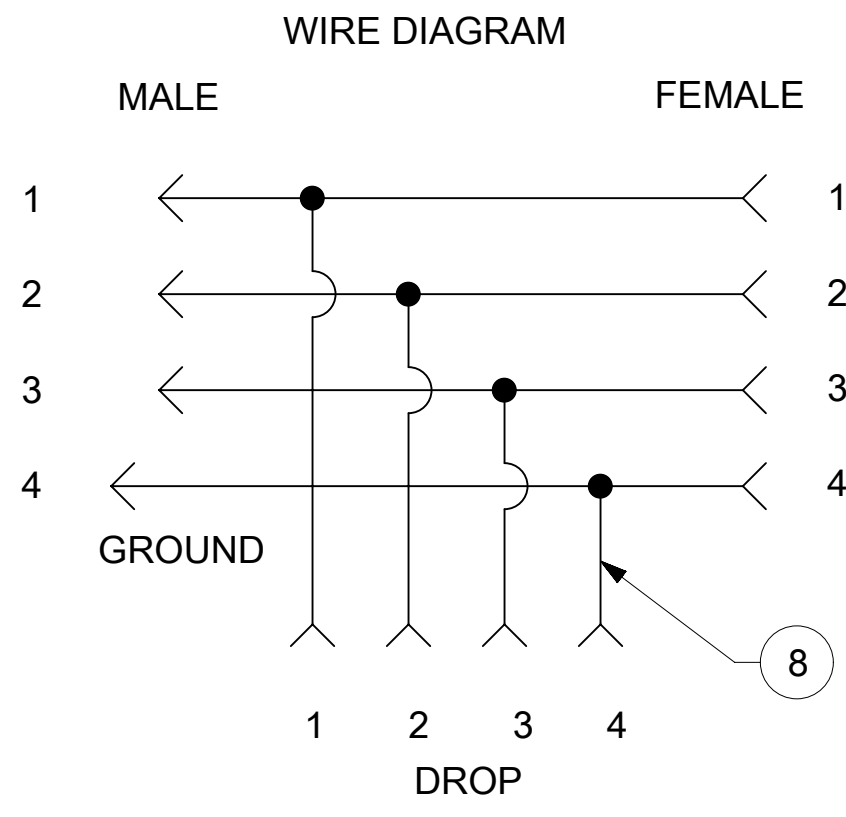
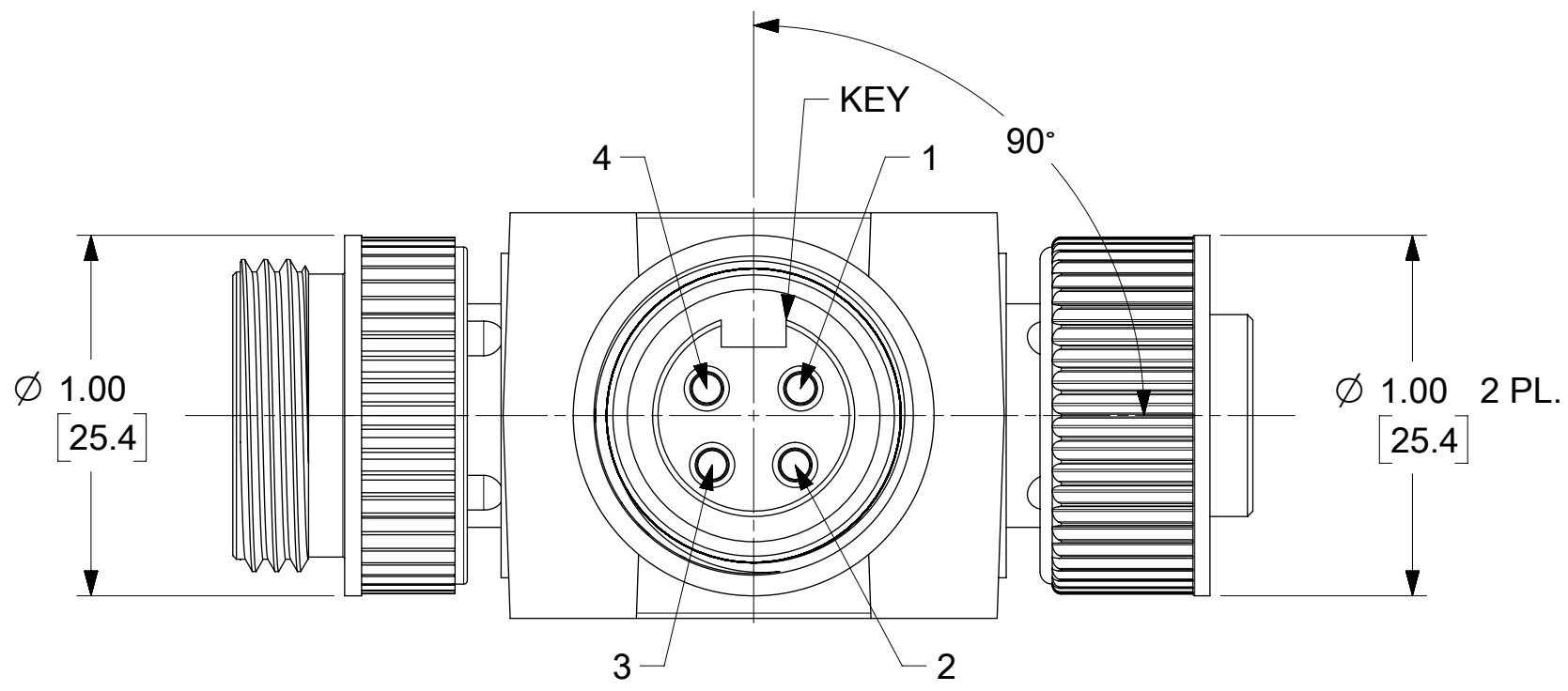
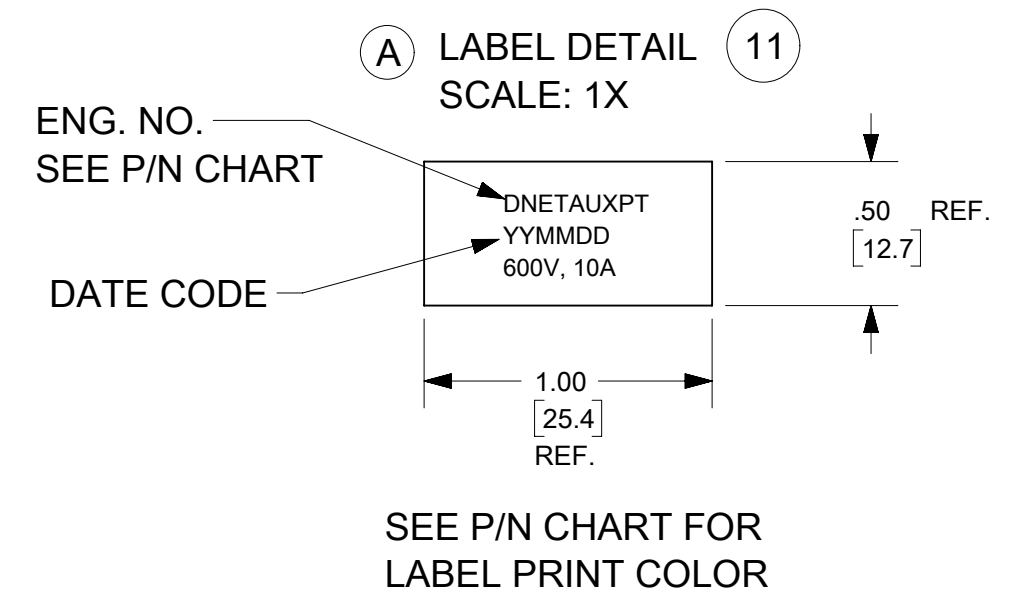
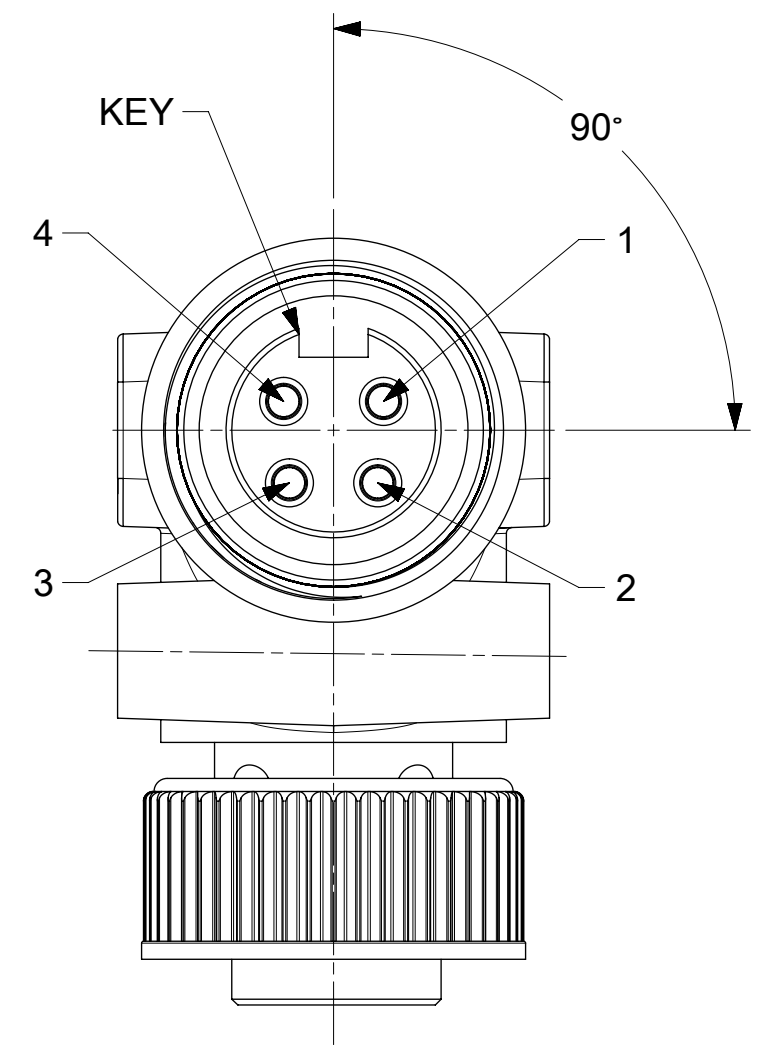
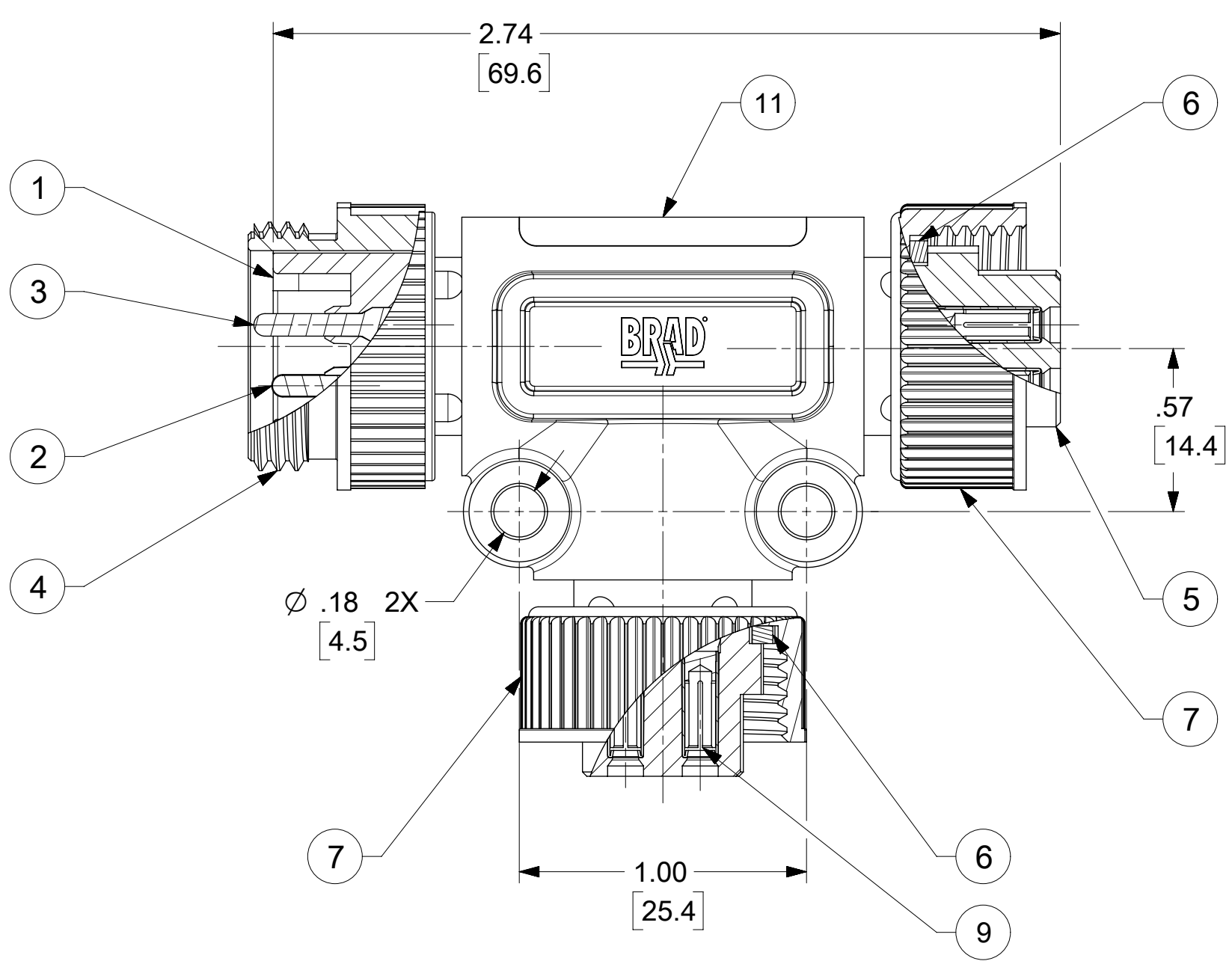
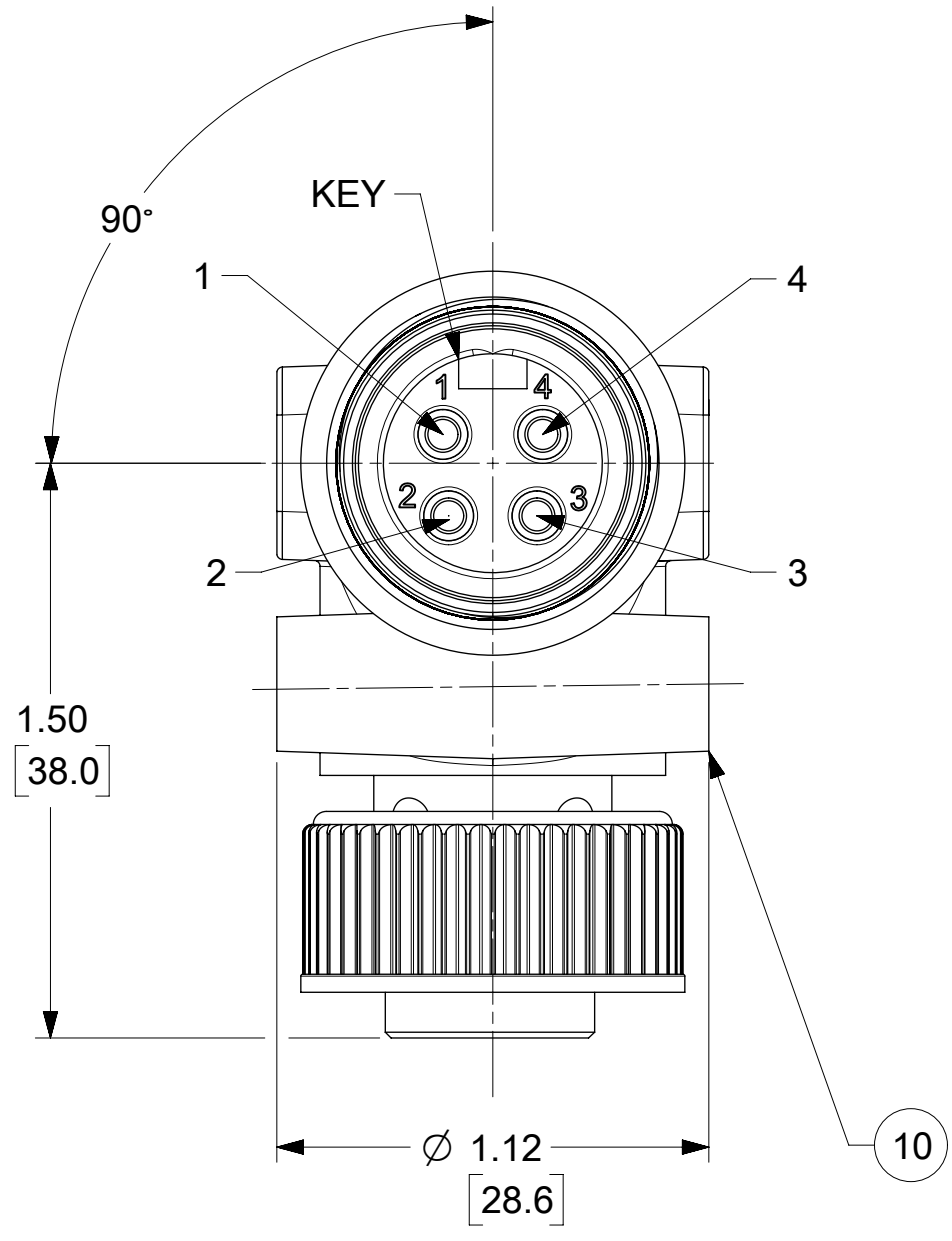
每触点最大电流	10.0A
电压 - 最大	600V DC

物理

下拉连接器	Mini-Change
下拉类型	女
键槽	Single
LED 指示器	否
左侧中继连接器	Mini-Change
左侧中继类型	女
脚1长度	不适用
脚2长度	不适用
材料—电缆护套	不适用
材料—连接器体	TPE
材料—连接螺母	Black Epoxy Coated Zinc
净重	91.625/g
极柱	4
右侧中继连接器	Mini-Change

右侧中继类型	男
运行温度范围	-20° C to +80° C

This document was generated on Jun 03, 2024



ITEM	DESCRIPTION	MATERIAL	FINISH
11	ID LABEL	POLYPROPYLENE	CLEAR, (LABEL DETAIL)
10	OVERMOLD	TPE	SEE P/N CHART
9	SOCKET CONTACT	Cu ALLOY	GOLD PLATED
8	WIRE, 18AWG (UL1015)	PVC INSULATION	SEE FACE VIEWS
7	FEMALE COUPLING	ZINC DIE-CAST	BLACK E-COAT
6	FRICITION RING	NYLON	WHITE
5	FEMALE INSERT	TPE	SEE P/N CHART
4	MALE COUPLING	ZINC DIE-CAST	BLACK E-COAT
3	M/F CONTACT (GROUND)	Cu ALLOY	GOLD PLATED
2	M/F CONTACT (SIGNAL)	Cu ALLOY	GOLD PLATED
1	MALE INSERT	TPE	SEE P/N CHART

(A) NOTES:
 1. MATERIAL: AS NOTED
 2. FINISH: AS NOTED
 3. ELECTRICAL:
 VOLTAGE: 483V PER IEC60664
 600V PER UL2238
 CURRENT: 10A
 4. TEMP RATING: -20°C TO +80°C
 5. PROTECTION: IP67 (WHEN MATED)
 6. COUPLING THREADS: 7/8-16UN
 7. UL LISTED FILE: E152210
 8. ALL DIMS ARE FOR REFERENCE UNLESS TOLERANCED OR NOTED OTHERWISE

PART NO.	ENG. NO.	O-MOLD & INSERT COLOR	LABEL PRINT COLOR
1300350115	DNETAUXPTG	BLACK	WHITE
1300350085	DNETAUXPT	YELLOW	BLACK

FUNCTIONAL SYMBOLS	THIS DRAWING CONTAINS INFORMATION THAT IS PROPRIETARY TO MOLEX ELECTRONIC TECHNOLOGIES, LLC AND SHOULD NOT BE USED WITHOUT WRITTEN PERMISSION		CURRENT REV DESC: REDRAW TO NX, ADD BOM TABLE, UPDATE NOTES, REMOVE CENEL, ORIENT VIEWS TO MATCH MFG DOC	
FA = 0	DIMENSION UNITS	SCALE		
FE = 0	INCH	2:1		
FP = 0	GENERAL TOLERANCES (UNLESS SPECIFIED)			
	MM	INCH		
	4 PLACES ±	±		
	3 PLACES ±	±		
	2 PLACES ±	±		
	1 PLACE ±	±		
	0 PLACES ±	±		
	ANGULAR TOL ±	°		
DIVISIONAL SYMBOLS	THIRD ANGLE PROJECTION	DRAWING	SERIES	
		C-SIZE	130035	
	MATERIAL NUMBER		CUSTOMER	SHEET NUMBER
	1300350085			1 OF 1

molex
 MINI-CHANGE TEE
 4 POLE MALE/FEM TRUNK, 4 POLE FEMALE DROP
 SINGLE KEY

PRODUCT CUSTOMER DRAWING
 DOCUMENT NUMBER: 1300350085
 DOC TYPE: PSD
 DOC PART: 000
 REVISION: A