



产品编号 : 14600036

系列号 : 70400

Product Category : Connector Housings

Product Description : 2.54mm Pitch SL  
Insulation Displacement Connector  
Assembly, Female, Single Row, Version G,  
Positive Lock, Wire Size 28 AWG, 3.81µm  
Tin/Lead (SnPb), 3 Circuits

状态 : Active

工程编号 : 704000492

---

## 文件和资源

### 图纸

图纸 014600036\_sd.pdf

包装设计图 PK-70873-0001-001.pdf


### 3D 模型和设计文件

3D模型 014600036\_stp.zip

---

## 产物环境合规

### 合规

GADSL/IMDS	Not Relevant
China RoHS	
EU ELV	Not Relevant
Low-Halogen Status	Not Low-Halogen per IEC 61249-2-21
REACH SVHC	Not Contained per D(2023)8585-DC (23 Jan 2024)
EU RoHS	Compliant per EU 2015/863

### 多部分产品合规性声明

- Eu RoHS
- REACH SVHC
- Low-Halogen
  
- IPC 1752A Class C
- IPC 1752A Class D
- Molex Product Compliance Declaration
- IEC-62474
- chemSHERPA (xml)

## 产品详情

### 常规

状态	活动
类别	Connector Housings
系列	70400
说明	2.54mm Pitch SL Insulation Displacement Connector Assembly, Female, Single Row, Version G, Positive Lock, Wire Size 28 AWG, 3.81µm Tin/Lead (SnPb), 3 Circuits
个评论	Terminals Preloaded
元件类型	Housing
产品系列	SL Modular Connectors
产品名称	SL
UPC	800754218573

### 机构

CSA	LR19980
UL	E29179

### 电气

电压 - 最大	250V
---------	------

### 物理

回路数 (已载入)	3
颜色-树脂	黑色
耐用性(插拔次数) - 最多次数	25
进入角度	垂直
阻燃性	94V-0
性别	女
符合灼热丝规范	否
锁定插接部位	是
材料 - 金属	Phosphor Bronze
材料 - 接合部位电镀	Tin

材料 - 终端电镀	Tin
材料 - 树脂	Polyester Alloy
净重	0.597/g
行数	1
包装形式	Tube
PCB 保持力	无
间距 - 插配接口	2.54mm
最薄镀层 - 接合部位	3.810µm
最薄镀层 - 端接	1.905µm
有极性的插配件	是
可堆叠的	是
运行温度范围	-40° to +105° C
终端界面类型	IDT or Pierce
导线/电缆型号	Discrete Wire, Ribbon Cable
导线绝缘直径	1.35mm max.
线径规格 (AWG)	28

---

## 可配插/可连接使用的产品

### 可配插部件

描述	产品编号
SL Single Row Housing Panel Mounts	<u>70018</u>
SL Single Row Crimp Housings	<u>70107</u>
SL Vertical Single Row Headers	<u>70543</u>
SL Vertical Single Row Headers	<u>70545</u>
SL Right-Angle, Single Row, Low Profile Headers	<u>70553</u>
SL Right-Angle Single Row Headers	<u>70555</u>

---

## 施工工具

### 全局

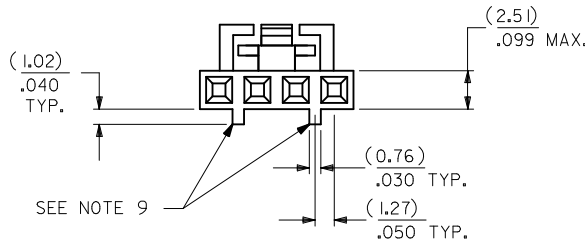
描述	产品编号
IDT Discrete Handtool Module	<u>621000700</u>

Ribbon Cable Tool Kit, Press Not Included	<u>622016600</u>
--	------------------

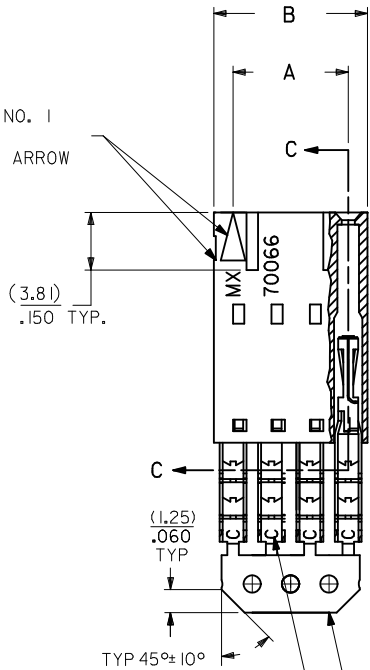
---

This document was generated on Jun 03, 2024

# OPTION G



CIRCUIT NO. 1  
SLOT OR ARROW



**I.D. SLOT CODE TO WIRE GAUGE CHART**

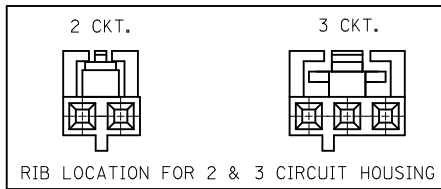
I.D. SLOT CODE	WIRE GAUGE
C	28 AWG.

**PLATING CODE (STRIPE ON CARRIER STRIP)**

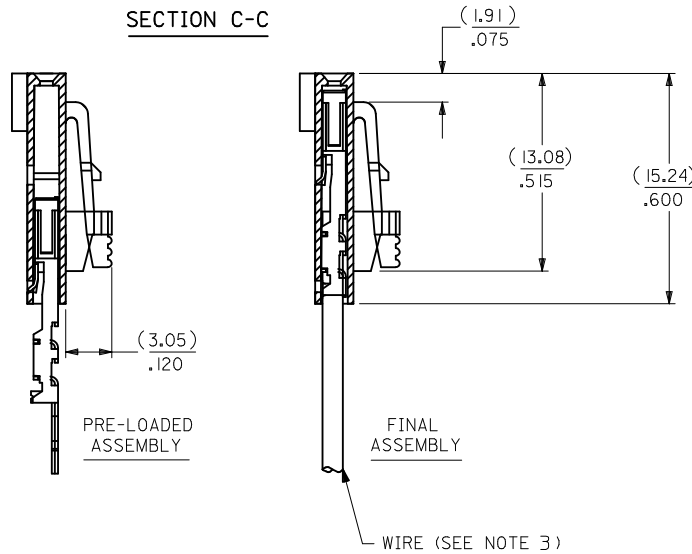
PLATING	COLOR
TIN	NONE

**NOTES:**

- MATERIAL:**  
HOUSING: POLYESTER(PBT), GLASS FILLED, UL94 V-0,  
COLOR: BLACK  
TERMINAL: PHOSPHOR BRONZE
- FINISH:**  
TIN: 3.81 MICROMETERS/150 MICROINCHES MINIMUM TIN  
OVER NICKEL UNDERPLATE OVERALL
- TO BE USED WITH 28 AWG STRANDED WIRE WITH (1.35)/.053  
DIAMETER MAXIMUM INSULATION
- SEE TABLE FOR AVAILABLE CIRCUIT SIZES
- STANDARD PACKAGING PER PK-70873-0001. OPTIONAL PACKAGING  
MAY BE AVAILABLE, REQUEST DRAWING PK-70400
- PARTS STACKABLE END TO END ON (2.54)/.100 CENTERS
- PRODUCT SPECIFICATION: PS-70400
- SEE DRAWING SDA-70400-\*\*\*\* (SHEET 3) FOR OPTIONAL  
HOUSING DETAILS
- 4 CIRCUIT SHOWN. 3-25 CIRCUITS HAVE 2 RIBS
- TO MATE WITH MOLEX PART NUMBERS: A-70373-\*\*\*\*,  
A-70375-\*\*\*\*, A-70389-\*\*\*\*, A-70391-\*\*\*\*,  
A-70107-\*\*\*\*, A-70018-\*\*\*\*, A-70543-\*\*\*\*,  
A-70553-\*\*\*\*, A-70541-\*\*\*\*, A-70551-\*\*\*\*,  
A-70545-\*\*\*\*, A-70555-\*\*\*\*
- 2 CIRCUIT ASSEMBLIES SUPPLIED AS GROUPED PAIRS



**SECTION C-C**



CKT. SIZE	A	B	EDP. NO.
2	( 2.54 ) .100	( 5.05 ) .199	14-60-0026
3	( 5.08 ) .200	( 7.59 ) .299	14-60-0036
4	( 7.62 ) .300	( 10.13 ) .399	14-60-0046
5	( 10.16 ) .400	( 12.67 ) .499	14-60-0056
6	( 12.70 ) .500	( 15.21 ) .599	14-60-0066
7	( 15.24 ) .600	( 17.75 ) .699	14-60-0076
8	( 17.78 ) .700	( 20.29 ) .799	14-60-0086
9	( 20.32 ) .800	( 22.83 ) .899	14-60-0096
10	( 22.86 ) .900	( 25.37 ) .999	14-60-0106
11	( 25.40 ) 1.000	( 27.91 ) 1.099	14-60-0116
12	( 27.94 ) 1.100	( 30.45 ) 1.199	14-60-0126
13	( 30.48 ) 1.200	( 32.99 ) 1.299	14-60-0136
14	( 33.02 ) 1.300	( 35.53 ) 1.399	14-60-0146
15	( 35.56 ) 1.400	( 38.07 ) 1.499	14-60-0156
16	( 38.10 ) 1.500	( 40.61 ) 1.599	14-60-0166
17	( 40.64 ) 1.600	( 43.15 ) 1.699	14-60-0176
18	( 43.18 ) 1.700	( 45.69 ) 1.799	14-60-0186
19	( 45.72 ) 1.800	( 48.23 ) 1.899	14-60-0196
20	( 48.26 ) 1.900	( 50.77 ) 1.999	14-60-0206
21	( 50.80 ) 2.000	( 53.31 ) 2.099	14-60-0216
22	( 53.34 ) 2.100	( 55.85 ) 2.199	14-60-0226
23	( 55.88 ) 2.200	( 58.39 ) 2.299	14-60-0236
24	( 58.42 ) 2.300	( 60.93 ) 2.399	14-60-0246
25	( 60.96 ) 2.400	( 63.47 ) 2.499	14-60-0256

<b>REMOVE ENG NO.</b> EC NO: UCP2011-110 DRWINSI BARRA 2010/10/19 CHKD:JORGAN 2010/10/19 APPR:SMILLER 2010/11/24	QUALITY SYMBOLS ▽=0 ▽=0 ▽=0	GENERAL TOLERANCES (UNLESS SPECIFIED) mm INCH 4 PLACES ± --- ± --- 3 PLACES ± --- ± .010 2 PLACES ± 0.25 ± .014 1 PLACE ± 0.35 ± --- ANGULAR ±1/2°	DIMENSION STYLE MM/IN	SCALE	DESIGN UNITS INCH	THIRD ANGLE PROJECTION
			DRAWN BY MSIBARRA	DATE 2010/10/19	TITLE	
		DRAFT WHERE APPLICABLE MUST REMAIN WITHIN DIMENSIONS	CHECKED BY WAZ	DATE 1984/10/09	MOLEX INCORPORATED	
		APPROVED BY SMILLER	DATE 2010/11/24	MATERIAL NO. SEE TABLE	DOCUMENT NO. SDA-70400-0491-0514	SHEET NO. 1 OF 1
THIS DRAWING CONTAINS INFORMATION THAT IS PROPRIETARY TO MOLEX INCORPORATED AND SHOULD NOT BE USED WITHOUT WRITTEN PERMISSION						