

产品编号 : 1461850300

Product Description : Cellular Quad-band Flex Antenna, 15.00mm Width, 300.00mm Cable Length, Compatible with U.FL / I-PEX MHF Connectors

系列号 : 146185

状态 : New Business Not Supported


Product Category : Antennas



文件和资源

产物环境合规

合规

GADSL/IMDS	Not Relevant
China RoHS	
EU ELV	Not Relevant
Low-Halogen Status	Low-Halogen per IEC 61249-2-21
REACH SVHC	Not Contained per D(2023)3788-DC (14 Jun 2023)
EU RoHS	Compliant per EU 2015/863

多部分产品合规性声明

- Eu RoHS
- REACH SVHC
- Low-Halogen

多部分行业合规性文件

- IPC 1752A Class C
- IPC 1752A Class D
- Molex Product Compliance Declaration
- IEC-62474
- chemSHERPA (xml)

欧盟 RoHS 合格证书

产品详情

常规

状态	New Business Not Supported
类别	Antennas
系列	146185
说明	Cellular Quad-band Flex Antenna, 15.00mm Width, 300.00mm Cable Length, Compatible with U.FL / I-PEX MHF Connectors
元件类型	Flexible Antenna with Cable
功能	Signal
产品系列	LTE Cellular Antennas
产品名称	Multi-band Cellular-Wi-Fi
协议	Cellular
类型	Cellular Antenna, Internal
UPC	889056549707

电气

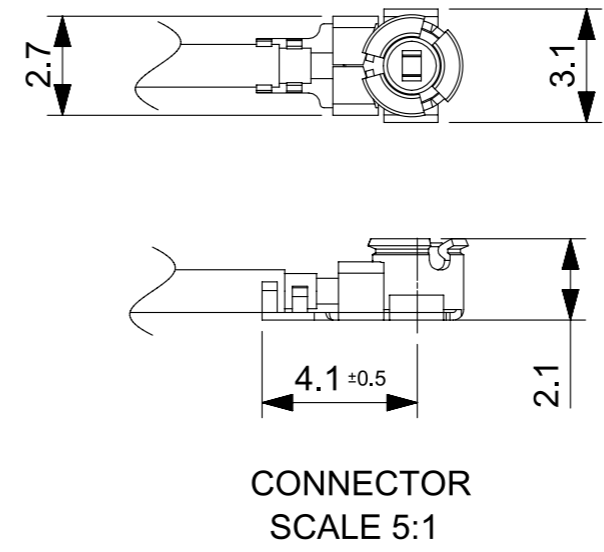
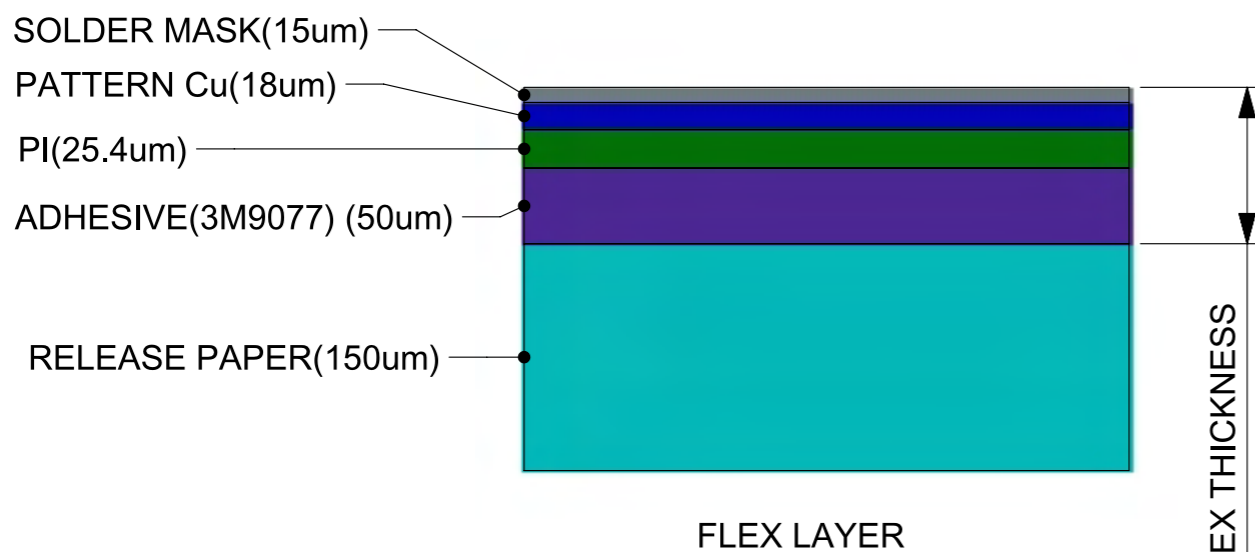
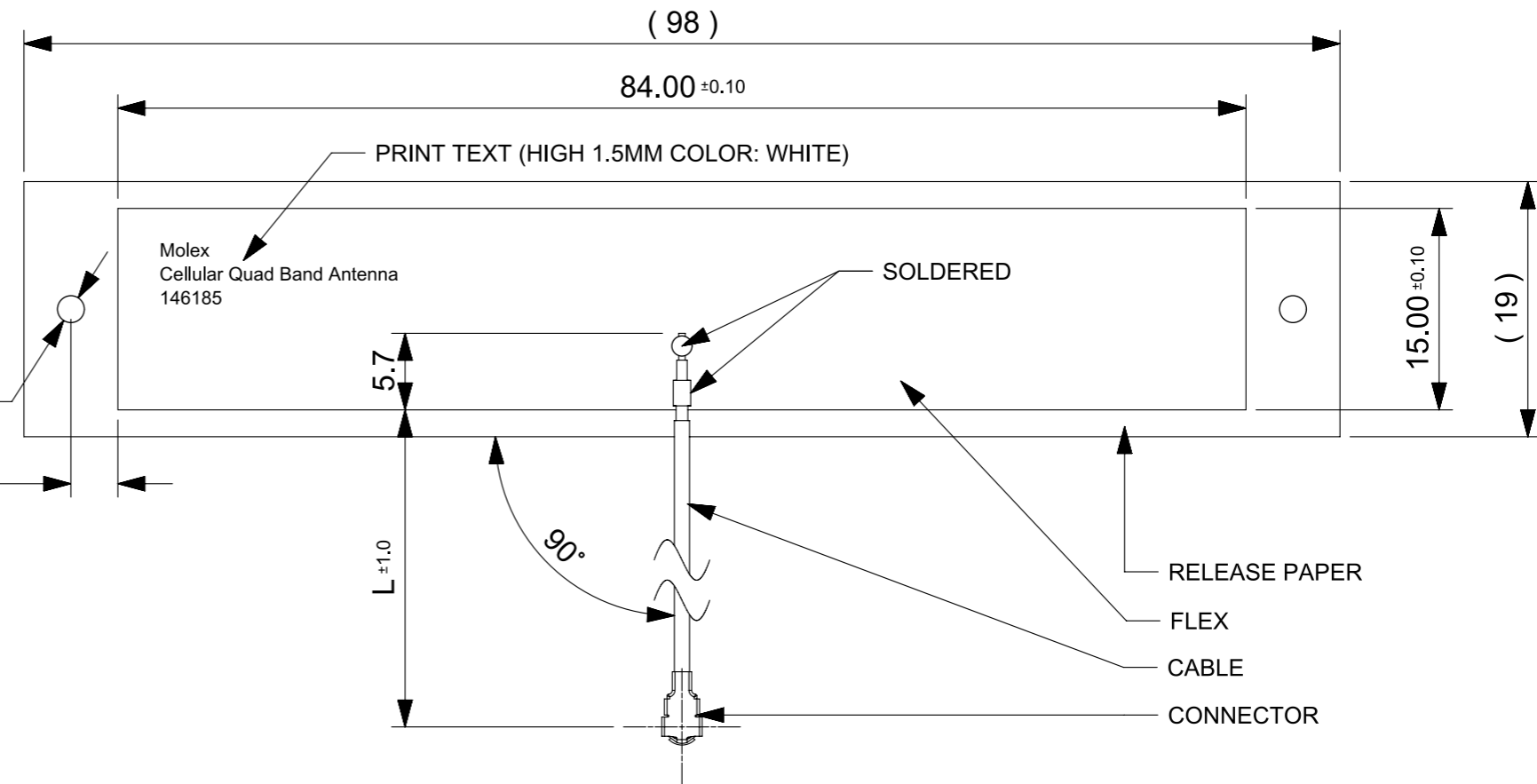
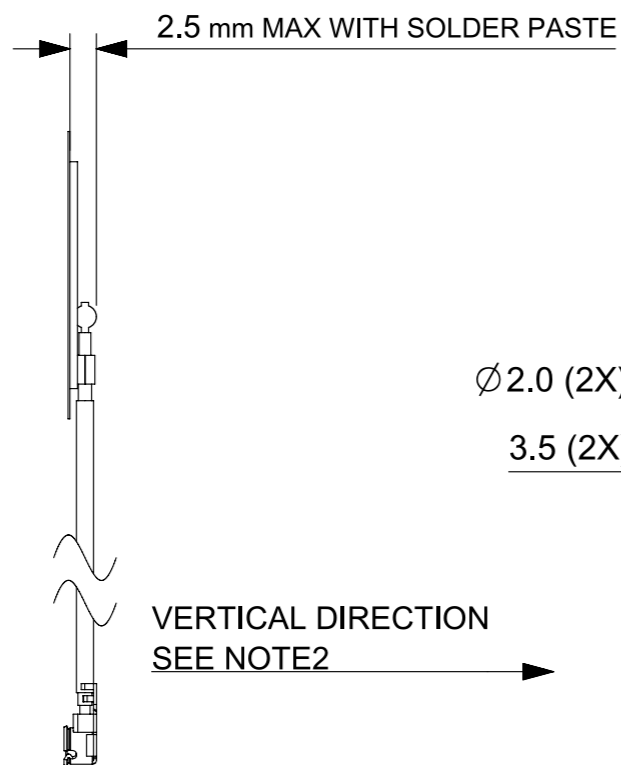
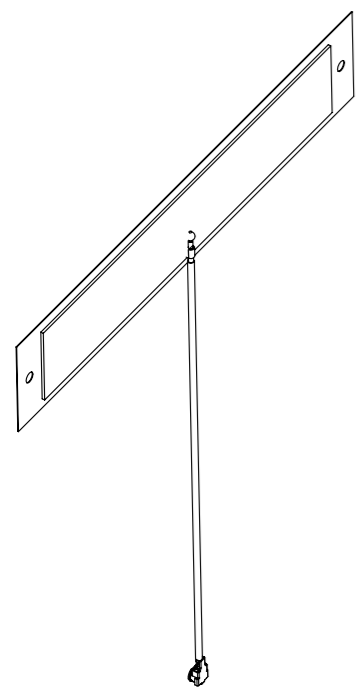
频段#1 F_结束 (MHz)	960
频段#1 F_开始 (MHz)	824
频段#2 F_结束 (MHz)	2700
频段#2 F_开始 (MHz)	1710
频段#3 F_结束 (MHz)	6000
频段#3 F_开始 (MHz)	3000
电气连接	Cable
峰值增益 (dBi)	1.1 @ 824 MHz, 2.6 @ 1710 MHz, 3.0 @ 3 GHz
回波损耗 - S11 (dB)	< -4, < -6
总效率	>56% @ 3 GHz, >59% @ 824 MHz, >61% @ 1710 MHz

物理

电缆长度	300.00mm
长度	84.00mm
安装方式	Adhesive
净重	1.561/g
包装形式	PET Film
极化	Linear
辐射方向图	Omnidirectional

厚度	0.10mm
宽度	15.00mm

This document was generated on Jan 02, 2024



ITEM	MATERIAL NO.	CABLE LENGTH "L"
1	1461850050	44.3MM
2	1461850100	94.3MM
3	1461850150	144.3MM
4	1461850200	194.3MM
5	1461850250	244.3MM
6	1461850300	294.3MM

- NOTE:**
- MATERIAL
 FLEX: SEE FLEX LAYER
 CABLE: Ø1.13mm
 CONNECTOR: OD1.13, 2.5H UFL CONNECTOR(GOLD PLATING)
 - CAN'T LIFT UP CABLE IN VERTICAL DIRECTION
 - APPLICATION SPEC REFER TO AS-146185-100
 - PRODUCT SPEC REFER TO PS-146185-100
 - PACKAGING SPEC REFER TO PK-146185-100

THIS DRAWING CONTAINS INFORMATION THAT IS PROPRIETARY TO MOLEX ELECTRONIC TECHNOLOGIES, LLC AND SHOULD NOT BE USED WITHOUT WRITTEN PERMISSION																
QUALITY SYMBOLS	EC NO: 118058 DRWN: Colin.xu CHK'D: Colin.xu APPR: Stacy-song	GENERAL TOLERANCES (UNLESS SPECIFIED)		DIMENSION UNITS	SCALE	 Cellular Quad Band Flex Antenna PRODUCT DESIGN DRAWING										
		ANGULAR TOL ± 1 °		mm	2:1											
▽A = 0	EC NO: 118058 DRWN: Colin.xu CHK'D: Colin.xu APPR: Stacy-song	4 PLACES ±	DRWN BY	DATE	SERIES: 146185 MATERIAL NUMBER: SEE TABLE CUSTOMER: GENERAL MARKET											
▽E = 0		3 PLACES ±	CHK'D BY	DATE												
▽B = 0		2 PLACES ±	APPR BY	DATE												
▽D = 0		1 PLACE ± 0.2	XJSONG	2017/06/13												
▽C = 0		0 PLACES ± 0.5	DRAWING SIZE	THIRD ANGLE PROJECTION	DOCUMENT NUMBER: 1461850050 DOC TYPE: PSD DOC PART: 000 SHEET NUMBER: 1 OF 1											
▽ = 0		DRAFT WHERE APPLICABLE MUST REMAIN WITHIN DIMENSIONS		A3												

RELEASE STATUS	RELEASE DATE
----------------	--------------