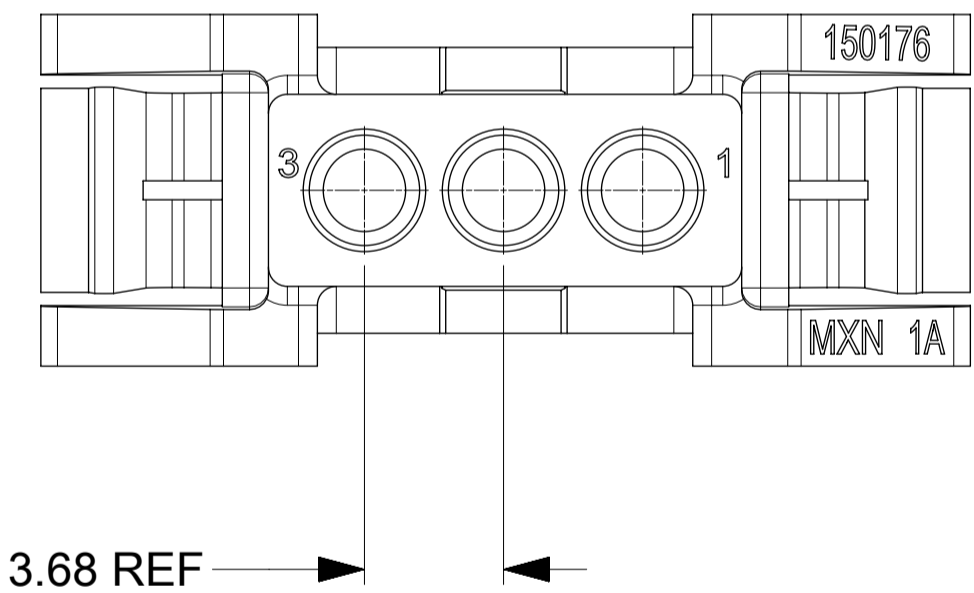
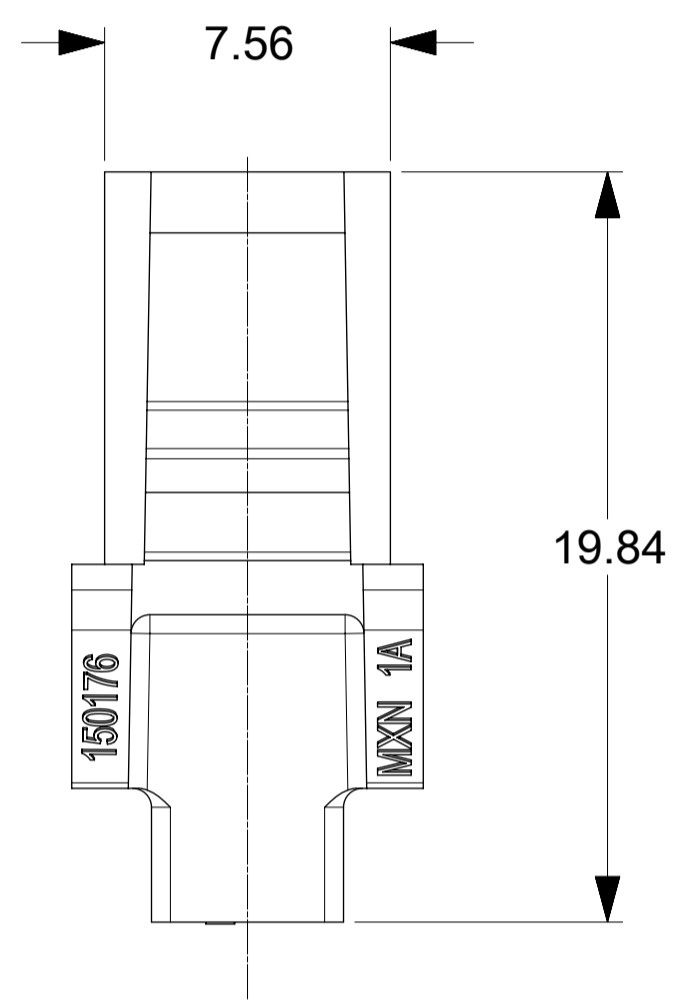
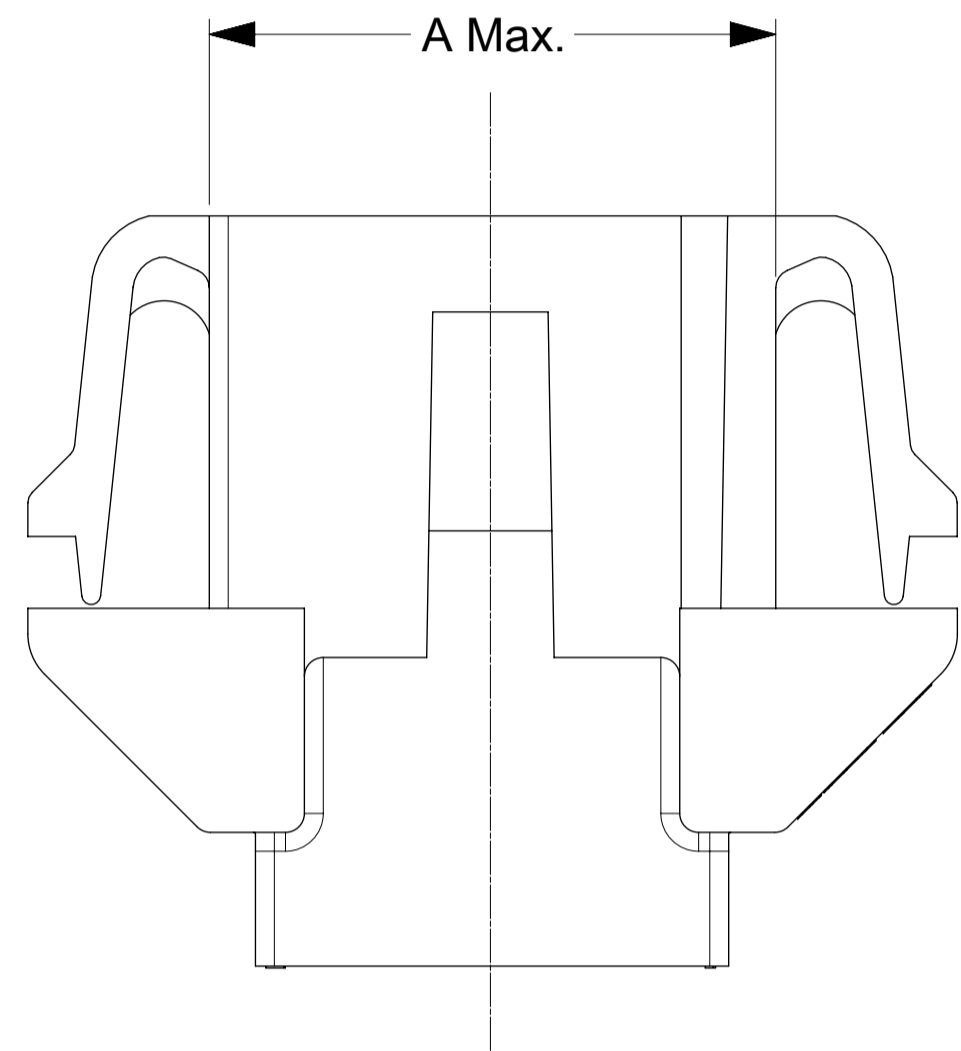


LEGEND

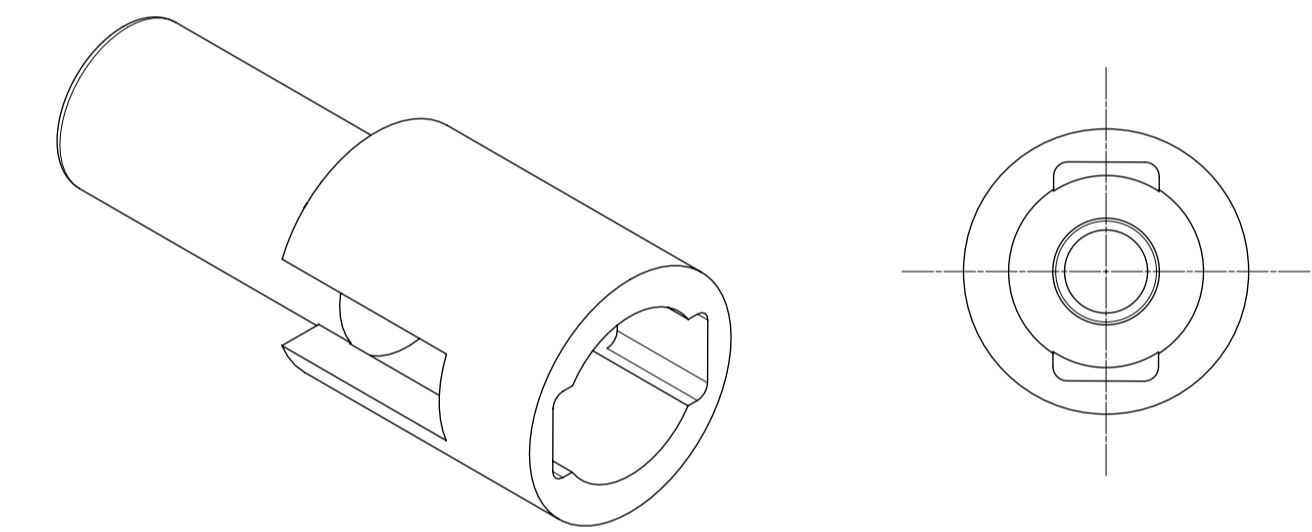
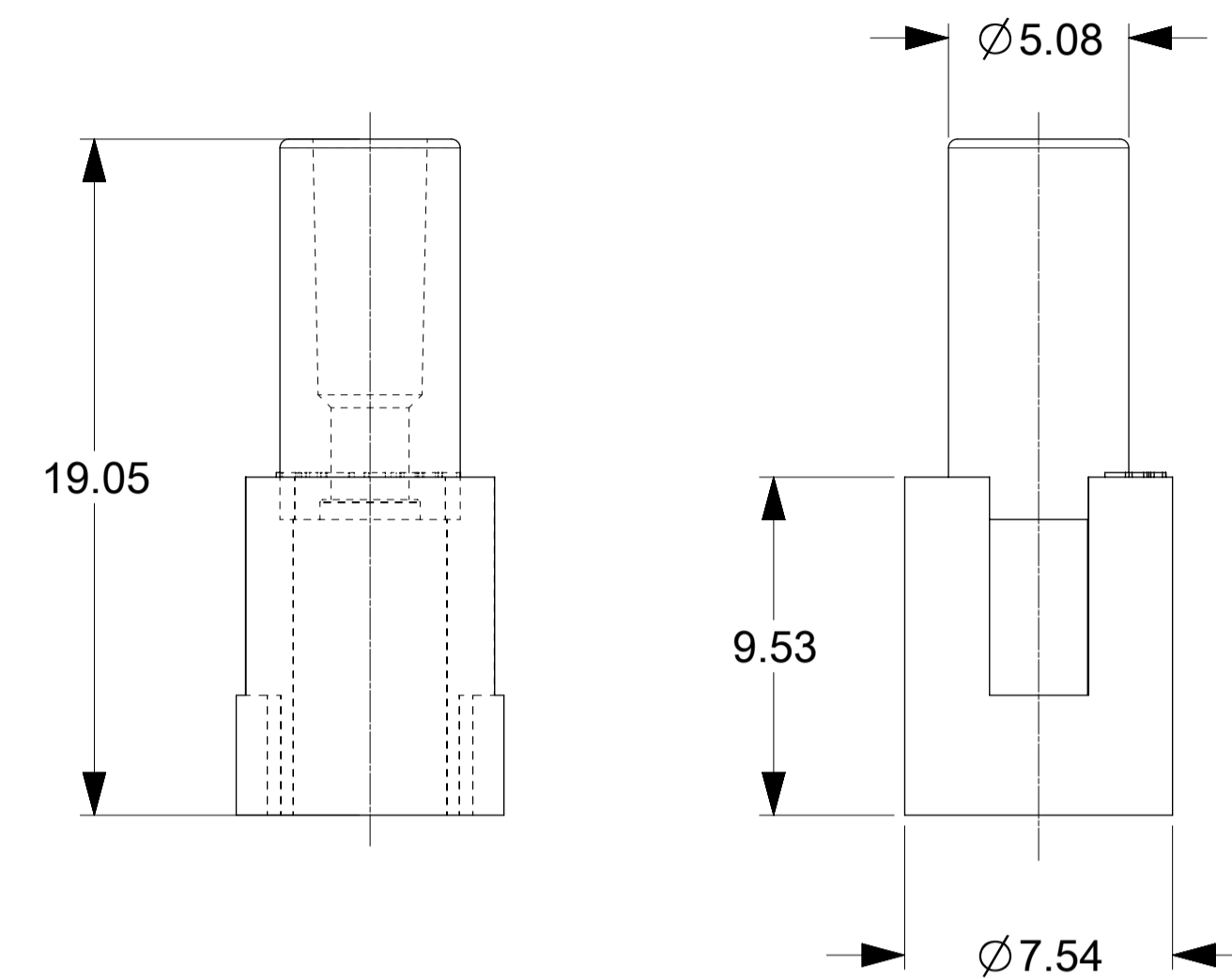
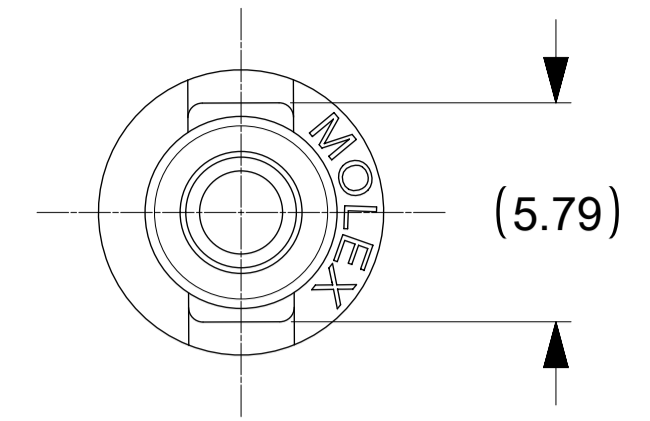
150176 * * * *
 NO. OF ROWS

 NO. OF CIRCUIT

0= WITH PANEL MOUNT LATCH
 1= WITHOUT PANEL MOUNT LATCH

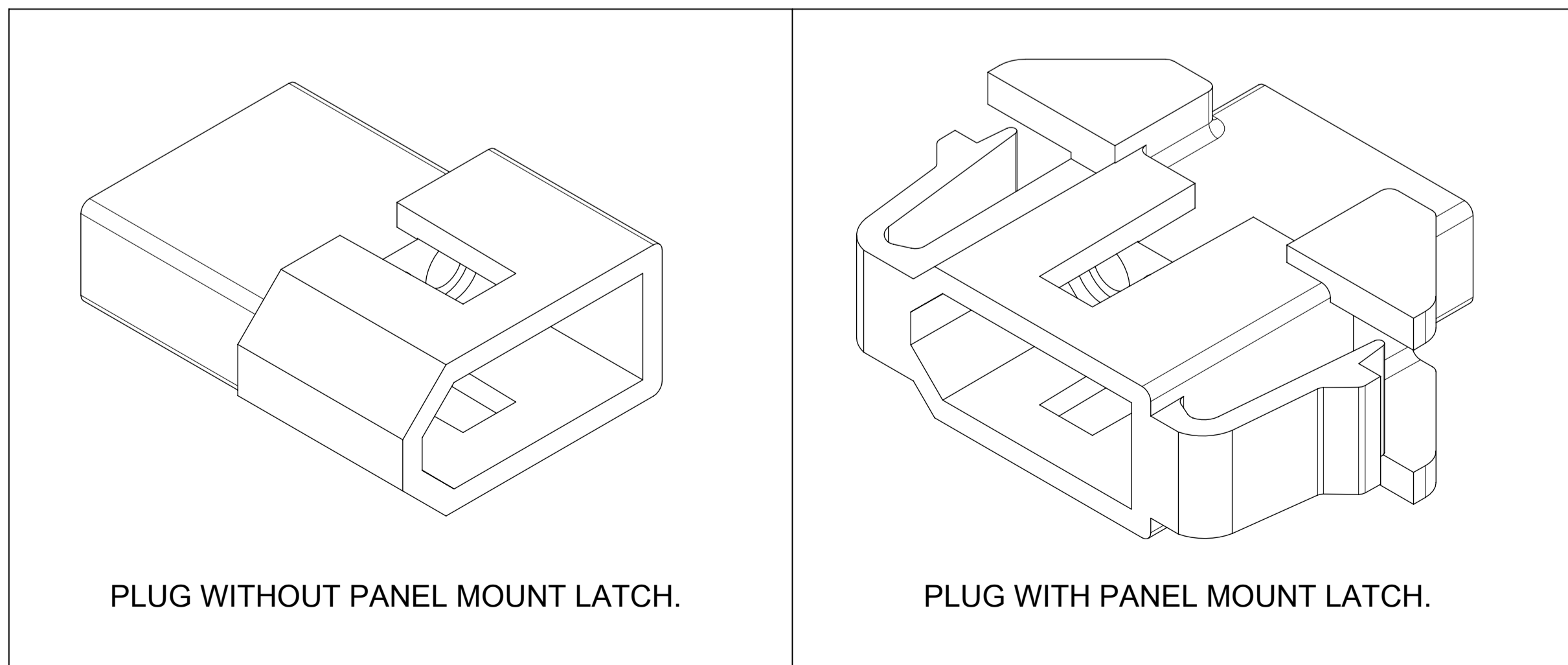


勝特力電材超市-龍山店 886-3-5773766
 勝特力電材超市-光復店 886-3-5729570
 勝特力电子(上海) 86-21-34970699
 勝特力电子(深圳) 86-755-83298787
<http://www.100y.com.tw>



1CKT PLUG HOUSING

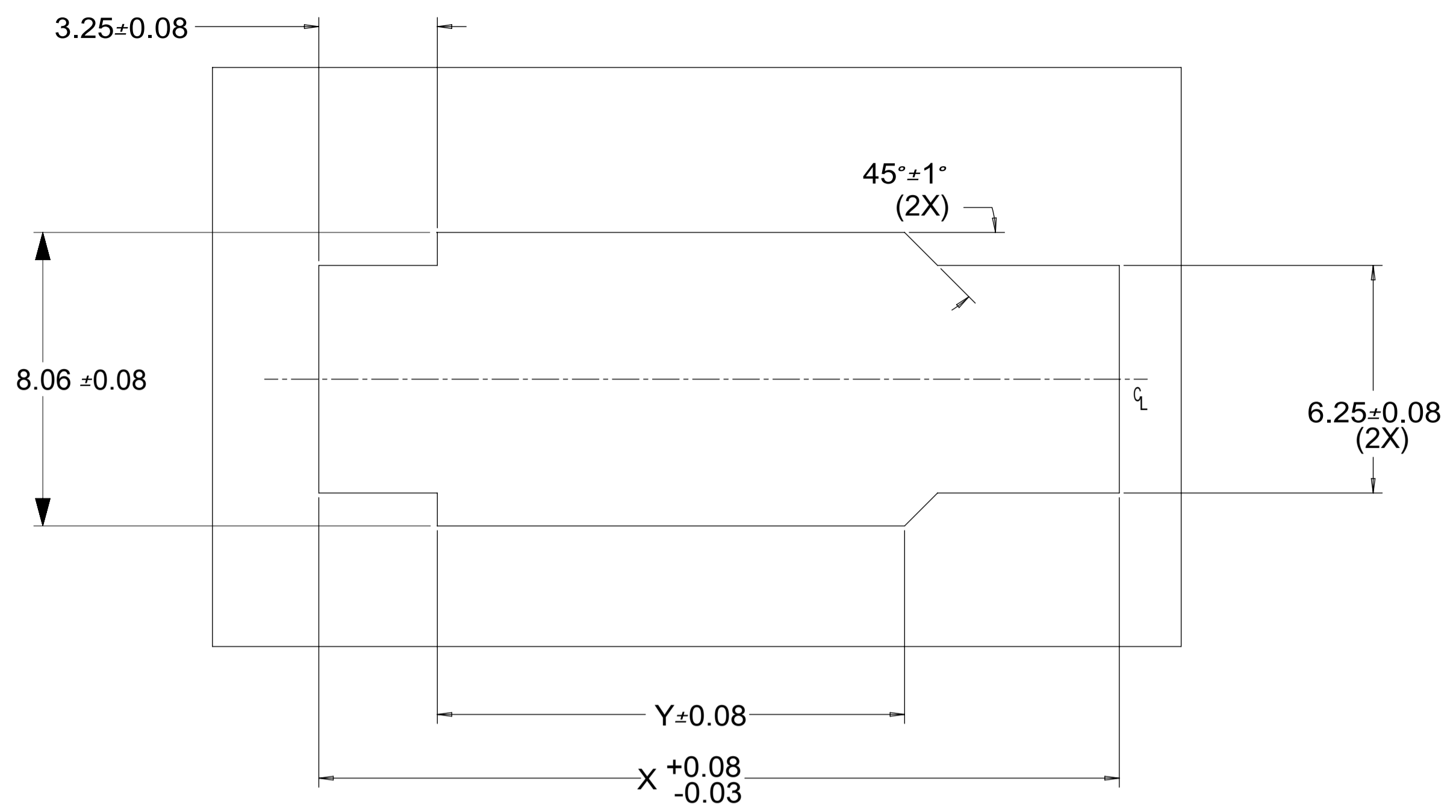
SL NO.	DESCRIPTION	PART NUMBER	DIM A
1	1CKT SINGLE ROW HSG WITHOUT PANEL MOUNT LATCH	1501761011	----
2	2CKT SINGLE ROW HSG WITH PANEL MOUNT LATCH	1501761020	11.40
3	2CKT SINGLE ROW HSG WITHOUT PANEL MOUNT LATCH	1501761021	
4	3CKT SINGLE ROW HSG WITH PANEL MOUNT LATCH	1501761030	15.05
5	3CKT SINGLE ROW HSG WITHOUT PANEL MOUNT LATCH	1501761031	



PLUG WITHOUT PANEL MOUNT LATCH.

PLUG WITH PANEL MOUNT LATCH.

FUNCTIONAL SYMBOLS	THIS DRAWING CONTAINS INFORMATION THAT IS PROPRIETARY TO MOLEX ELECTRONIC TECHNOLOGIES, LLC AND SHOULD NOT BE USED WITHOUT WRITTEN PERMISSION		CURRENT REV DESC: DESCRIPTION UPDATED				
	DIMENSION UNITS	SCALE					
FA = 0		5:1	ANGULAR TOL ± 1.0°		EC NO: 647195		
FC = 0	4 PLACES ±		3 PLACES ±		DRWN: PRADEA 2020/10/09		
FD = 0	2 PLACES ± 0.25		1 PLACE ± 0.35		CHK'D: NCSR 2020/10/19		
DIVISIONAL SYMBOLS	0 PLACES ±		DRAFT WHERE APPLICABLE MUST REMAIN WITHIN DIMENSIONS		APPR: NCSR 2020/10/19		
THIRD ANGLE PROJECTION			DRAWING		SERIES		
A1-SIZE			150176		INITIAL REVISION: 2014/10/08		
DOCUMENT NUMBER			CUSTOMER		REVISION		
SD-150176-001			GENERAL MARKET		PSD 000 B1		
MATERIAL NUMBER			CUSTOMER		SHEET NUMBER		
SEE TABLE			GENERAL MARKET		1 OF 2		



RECOMMENDED PANEL CUT-OUT DIMENSION;
PANEL THICKNESS-1.50MM Max.

SL NO.	DESCRIPTION	PART NUMBER	DIM X	DIM Y
1	2CKT SINGLE ROW HSG WITH PANEL MOUNT LATCH	1501761020	18.28	9.15
2	3CKT SINGLE ROW HSG WITH PANEL MOUNT LATCH	1501761030	21.98	12.83

NOTES:

- 1) MATERIAL : NYLON 66, 94V-2. COLOR- NATURAL
- 2) PRODUCT SPECIFICATION: 1501760001-PS
- 3) PACKAGING SPECS: PK-150176-001
- 4) THIS PART CONFORMS TO CLASS B REQUIREMENTS OF COSMETIC SPEC PS-45499-002.
- 5) THIS PARTS CONFORMS THE NYLON MOISTURIZATION REQUIREMENT AS PER AS-45499-001.
- 6) PARTS ACCEPT TERMINAL SERIES NUMBER 150180
- 7) PARTS MATES WITH SERIES NUMBER 150178.

FUNCTIONAL SYMBOLS $\frac{F}{A} = 0$ $\frac{F}{C} = 0$ $\frac{F}{P} = 0$	THIS DRAWING CONTAINS INFORMATION THAT IS PROPRIETARY TO MOLEX ELECTRONIC TECHNOLOGIES, LLC AND SHOULD NOT BE USED WITHOUT WRITTEN PERMISSION	DIMENSION UNITS	SCALE	CURRENT REV DESC: DESCRIPTION UPDATED		 STANDARD .062" + PLUG HOUSING SINGLE ROW		
	GENERAL TOLERANCES (UNLESS SPECIFIED)	5:1	EC NO: 647195		DOCUMENT NUMBER			
DIVISIONAL SYMBOLS	ANGULAR TOL ± 1.0°	GENERAL TOLERANCES (UNLESS SPECIFIED)		DRWN: PRADEA		DOC TYPE	DOC PART	REVISION
	4 PLACES ±	4 PLACES ±		2020/10/09		PRODUCT CUSTOMER DRAWING SD-150176-001	PSD	000
	3 PLACES ±	3 PLACES ±		2020/10/19				
	2 PLACES ± 0.25	2 PLACES ± 0.25		2020/10/19				
1 PLACE ± 0.35	1 PLACE ± 0.35		INITIAL REVISION:					
0 PLACES ±	0 PLACES ±		DRWN: GES		2014/10/08	SHEET NUMBER		
DRAFT WHERE APPLICABLE MUST REMAIN WITHIN DIMENSIONS	THIRD ANGLE PROJECTION	DRAWING	SERIES	MATERIAL NUMBER	CUSTOMER	SHEET NUMBER		
		A1-SIZE	150176	SEE TABLE	GENERAL MARKET	2 OF 2		