



产品编号 : [1501781030](#)

系列号 : 150178

Product Category : Connector Housings

Product Description : Standard .062"+
Receptacle Housing, Single Row, 3 Circuits

状态 : Active

文件和资源

图纸

[图纸 1501781030_sd.pdf](#)

3D 模型和设计文件

[3D模型 1501781030_stp.zip](#)

规格

[应用规格 1501760001-AS-000.pdf](#)


[包装规格 PK-150176-001-001.pdf](#)

[产品规格 1501760001-PS-000.pdf](#)

[测试摘要 1501760001-TS-000.pdf](#)

产物环境合规

合规

GADSL/IMDS	Not Relevant
China RoHS	
EU ELV	Compliant per 2000/53/EC
Low-Halogen Status	Low-Halogen per IEC 61249-2-21
REACH SVHC	Not Contained per D(2023)8585-DC (23 Jan 2024)
EU RoHS	Compliant per EU 2015/863

多部分产品合规性声明

- Eu RoHS
- REACH SVHC
- Low-Halogen

- IPC 1752A Class C
- IPC 1752A Class D
- Molex Product Compliance Declaration
- IEC-62474

产品详情

常规

状态	活动
类别	Connector Housings
系列	150178
说明	Standard .062"+ Receptacle Housing, Single Row, 3 Circuits
应用	Power, Wire-to-Wire
产品系列	Standard .062"+ and Standard .062" Pin and Socket Connector Systems
产品名称	Standard .062"+
UPC	889056490368

机构

UL	E29179
----	--------

物理

电路数（最多）	3
颜色-树脂	Natural
阻燃性	94V-2
性别	Receptacle
符合灼热丝规范	否
插接极性	无
锁定插接部位	是
材料 - 树脂	Nylon
净重	0.955/g
行数	1
包装形式	Bag
面板安装式	不适用
间距 - 插配接口	3.68mm
间距 - 终端界面	3.68mm
有极性的插配件	是

可堆叠的	否
运行温度范围	-40° to +105° C

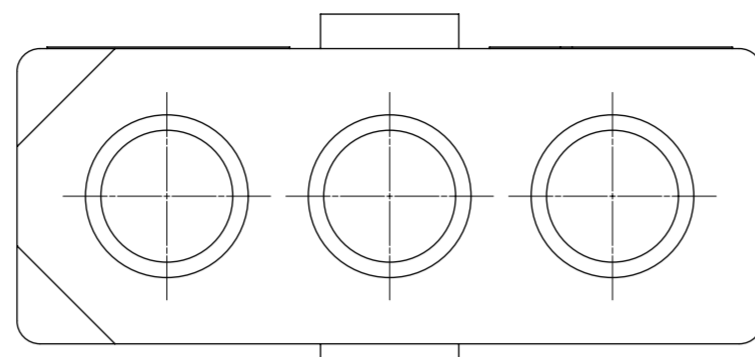
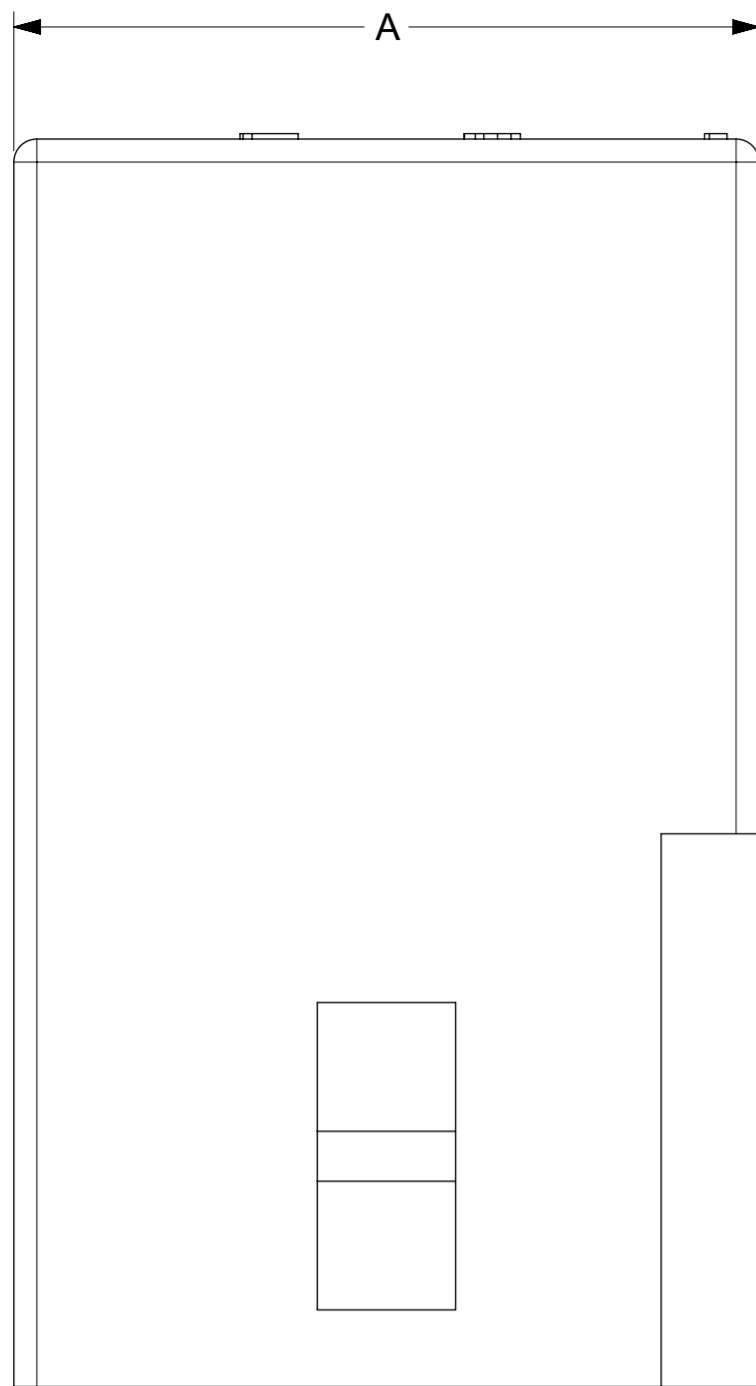
可配插/可连接使用的产品

可配插部件

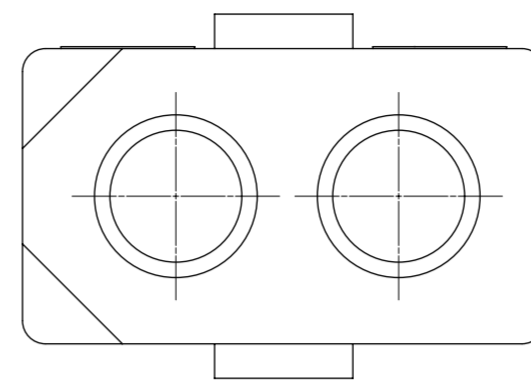
描述	产品编号
Standard .062"+ Single Row Plug Housings	<u>150176</u>

可连接使用部件

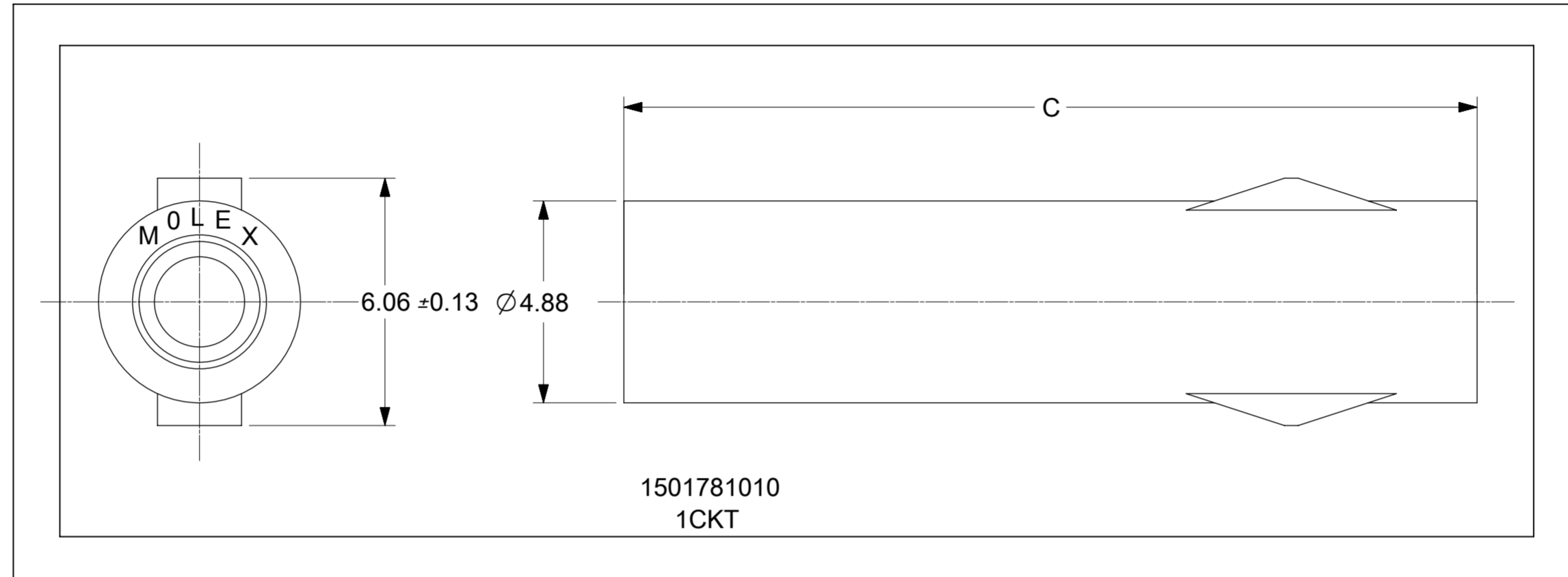
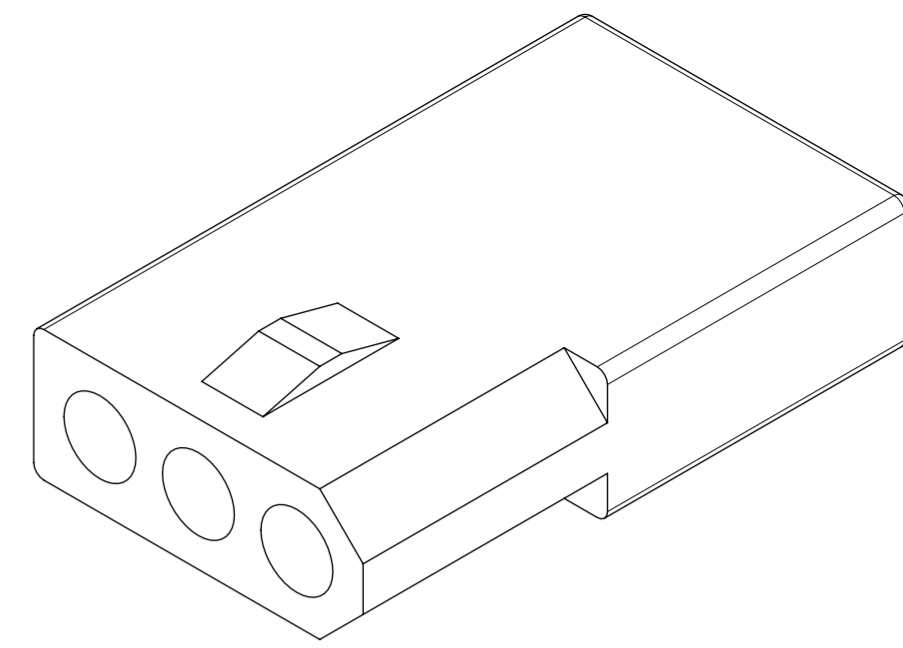
描述	产品编号
Standard .062"+ Female Terminals	<u>150181</u>



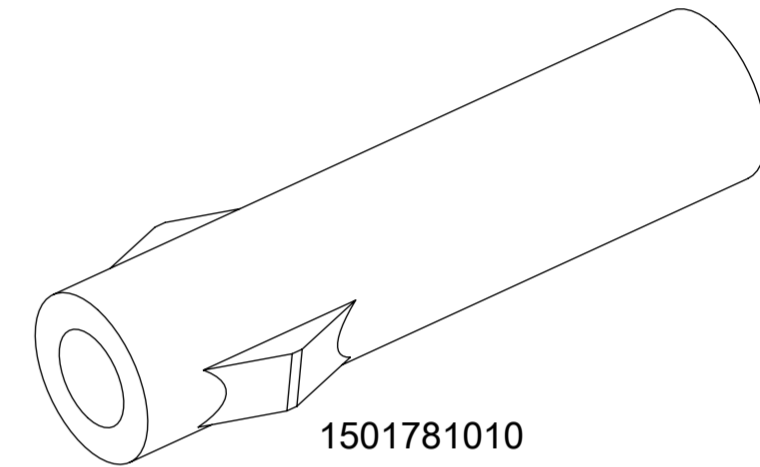
1501781030
3CKT



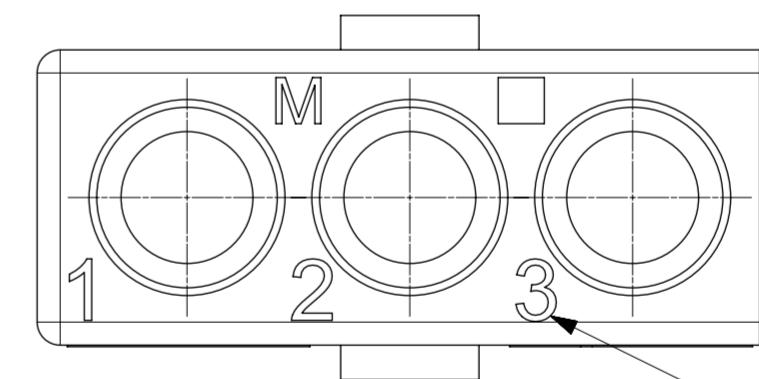
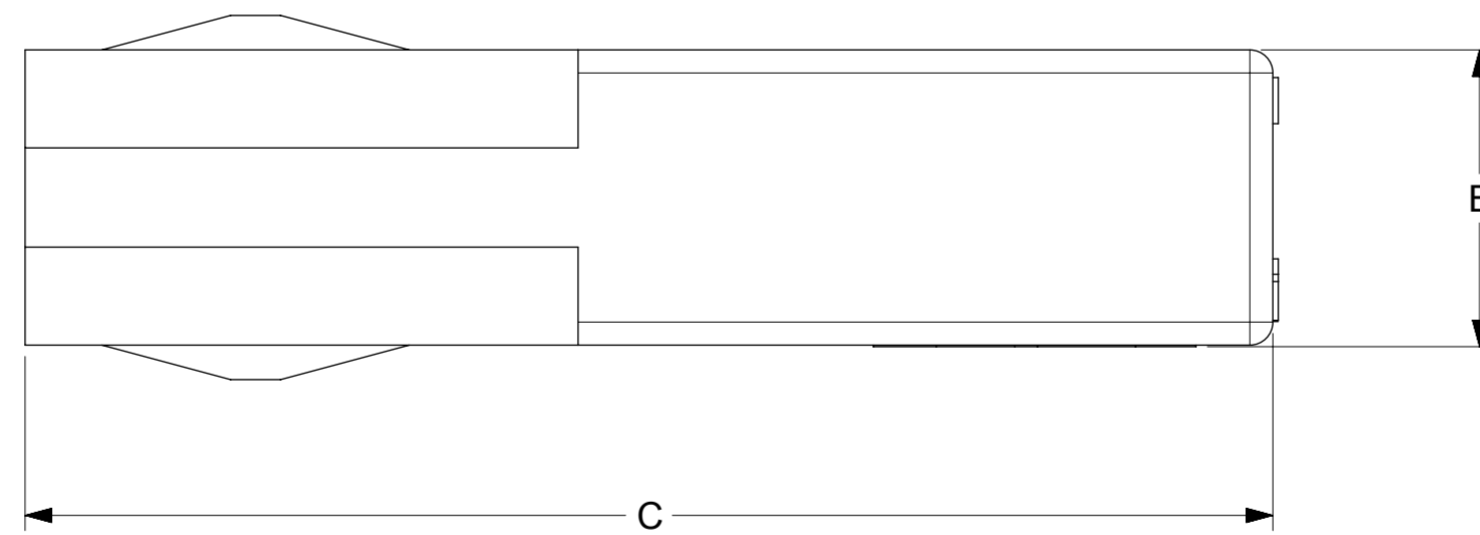
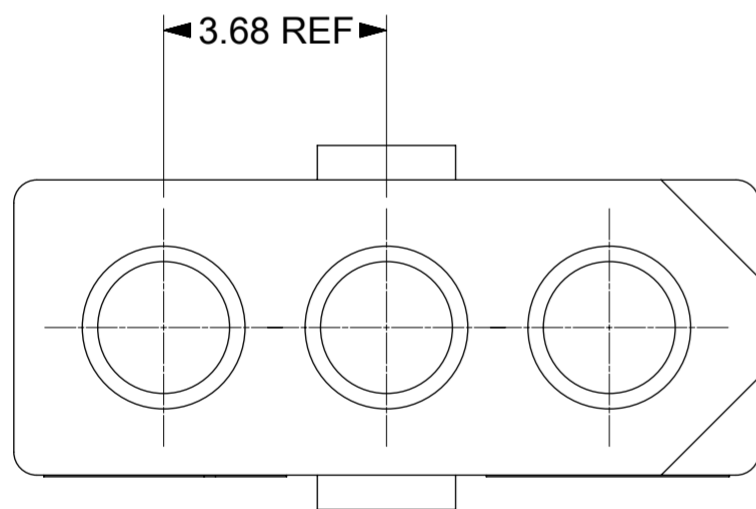
1501781020
2CKT



1501781010
1CKT



1501781010



CIRCUIT NUMBER

NOTES:

- 1) MATERIAL: NYLON TYPE 6/6,94V-2 COLOR: NATURAL
- 2) FINISH: NONE
- 3) PRODUCT SPECIFICATION: 1501760001-PS
- 4) PACKAGING SPECS: PK-150176-001
- 5) THIS PART CONFORMS TO CLASS B REQUIREMENTS OF COSMETIC SPEC PS-45499-002.
- 6) THIS PART CONFORMS TO MOISTURIZING SPECIFICATIONS OF NYLON PARTS REFER AS-45499-001
- 7) THIS PART ACCEPT TERMINAL SERIES 150181
- 8) THIS PART MATES WITH PLUG HOUSING SERIES 150176.

SL NO.	PART NUMBER	DESCRIPTION	DIM A	DIM B	DIM C
1	1501781010	1 CKT SINGLE ROW	---	---	19.84
2	1501781020	2 CKT SINGLE ROW	8.64	4.93	20.62
3	1501781030	3 CKT SINGLE ROW	12.3	5.05	19.8

FUNCTIONAL SYMBOLS FA = 0 FC = 0 FP = 0	THIS DRAWING CONTAINS INFORMATION THAT IS PROPRIETARY TO MOLEX ELECTRONIC TECHNOLOGIES, LLC AND SHOULD NOT BE USED WITHOUT WRITTEN PERMISSION						
	DIMENSION UNITS	SCALE					CURRENT REV DESC: DESCRIPTION UPDATED
	GENERAL TOLERANCES (UNLESS SPECIFIED)		EC NO: 647195			STANDARD .062"+ SINGLE ROW RECEPTACLE HOUSING	
	ANGULAR TOL ± 0.5°		DRWN: PRADEA 2020/10/09				
DIVISIONAL SYMBOLS		CHK'D: NCSR 2020/10/19			PRODUCT CUSTOMER DRAWING		
4 PLACES ±		APPR: NCSR 2020/10/19			DOCUMENT NUMBER		
3 PLACES ±		INITIAL REVISION:			DOC TYPE DOC PART REVISION		
2 PLACES ± 0.25		DRWN: GES 2014/11/05			SD-150178-001 PSD 000 B1		
1 PLACE ± 0.35		APPR: KPRASAD 2015/01/08			MATERIAL NUMBER		
0 PLACES ±		DRAFT WHERE APPLICABLE MUST REMAIN WITHIN DIMENSIONS			CUSTOMER		
THIRD ANGLE PROJECTION		DRAWING			SHEET NUMBER		
A2-SIZE		SERIES			1 OF 1		
SEE TABLE		GENERAL MARKET					