



产品编号 : 15045081

系列号 : 70013

Product Category : Connector Accessories

Product Description : 2.54mm SL Interim
Clip, 8 Circuits

状态 : Active

工程编号 : 70013-0008

文件和资源

图纸

图纸 015045081_sd.pdf

包装设计图 700130000-PK-000.pdf

3D 模型和设计文件


3D模型 015045081_stp.zip

规格

产品规格 PS-70400-001.pdf

产物环境合规

合规

GADSL/IMDS	Not Relevant
China RoHS	
EU ELV	Not Relevant
Low-Halogen Status	Not Low-Halogen per IEC 61249-2-21
REACH SVHC	Not Contained per D(2023)8585-DC (23 Jan 2024)
EU RoHS	Compliant per EU 2015/863

多部分产品合规性声明

- Eu RoHS
- REACH SVHC
- Low-Halogen

- IPC 1752A Class C
- IPC 1752A Class D
- Molex Product Compliance Declaration
- IEC-62474
- chemSHERPA (xml)

产品详情

常规

状态	活动
类别	Connector Accessories
系列	70013
说明	2.54mm SL Interim Clip, 8 Circuits
元件类型	Interim Clip
产品系列	SL Modular Connectors
产品名称	SL
UPC	800754222600

机构

CSA	LR19980
UL	E29179

物理

回路数 (已载入)	8
电路数 (最多)	8
颜色-树脂	黑色
阻燃性	94V-0
锁定插接部位	是
材料 - 树脂	Polyester
净重	1.383/g
行数	2
包装形式	Bag

进程

无铅	不适用
----	-----

可连接使用部件

描述	产品编号
----	------

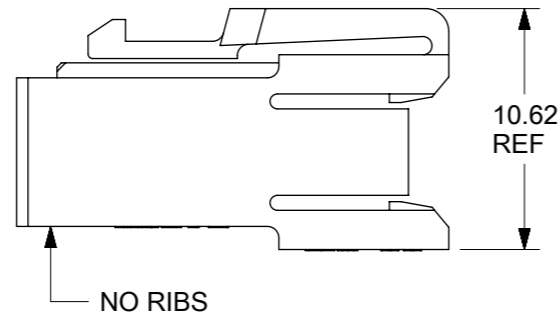
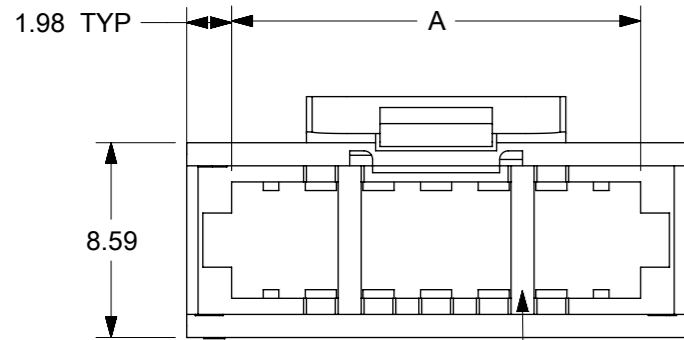
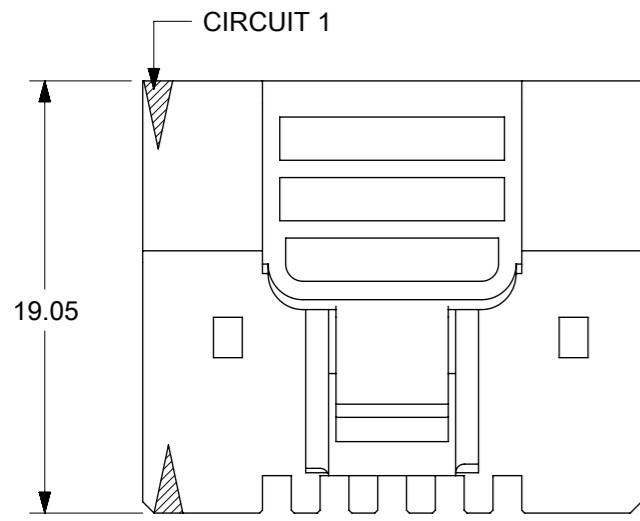
SL Single Row Crimp Housings and CPA Retainers	<u>70066</u>
SL Female Terminals	<u>70058</u>
SL Single Row Female Insulation Displacement Connector Assemblies	<u>70400</u>
SL Single Row Female Receptacles	<u>70430</u>
SL Dual Row Crimp Housings	<u>70450</u>

This document was generated on Jun 30, 2024

HOUSINGS OPTIONS WITHOUT RIBS

HOUSING TO INTERIM CLIP RETENTION	HOUSING OPTION	SPRING CLIP 71809
STANDARD	A	NO
MEDIUM	C	NO
HIGH	A AND C	YES

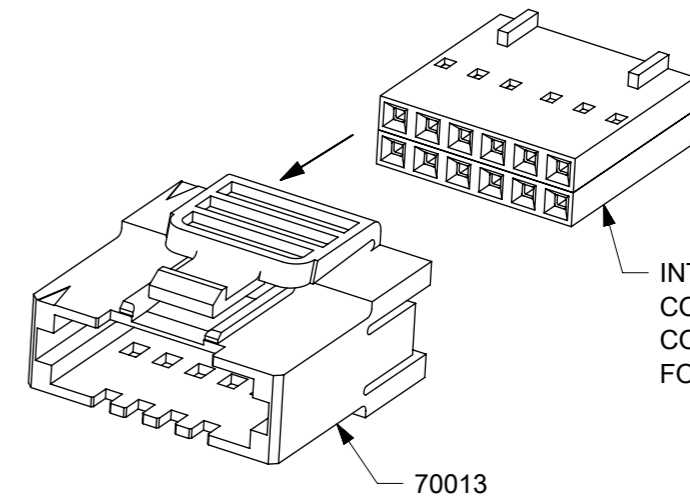
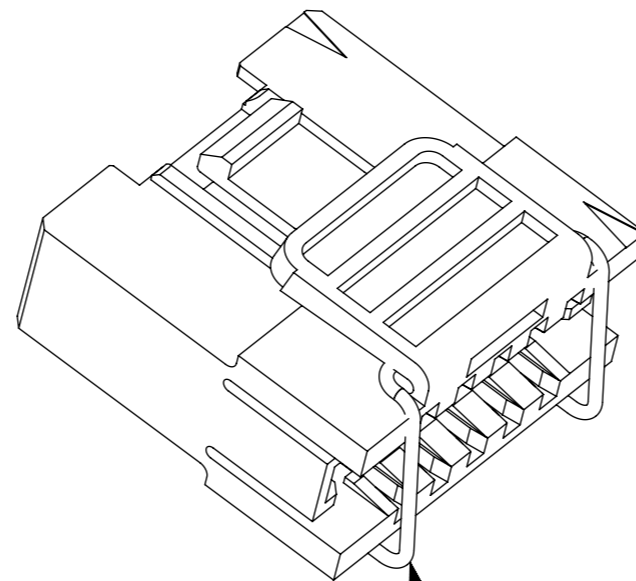
CKTS	DIM A	OPTION A		OPTION C
		MATERIAL NO	ENG NO	MATERIAL NO:
6	7.87	15045061	70013-0006	NA
8	10.41	15045081	70013-0008	NA
10	12.95	15045101	70013-0010	NA
12	15.49	15045121	70013-0012	NA
14	18.03	15045141	70013-0014	NA
16	20.57	15045161	70013-0016	NA
18	23.11	15045181	70013-0018	NA
20	25.65	15045201	70013-0020	70013-2020
22	28.19	15045221	70013-0022	70013-2022
24	30.73	15045241	70013-0024	70013-2024
26	33.27	15045261	70013-0026	70013-2026
28	35.81	15045281	70013-0028	70013-2028
30	38.35	15045301	70013-0030	70013-2030
32	40.89	15045321	70013-0032	70013-2032
34	43.43	15045341	70013-0034	70013-2034
36	45.97	15045361	70013-0036	70013-2036
38	48.51	15045381	70013-0038	70013-2038
40	51.05	15045401	70013-0040	70013-2040
42	53.59	15045421	70013-0042	70013-2042
44	56.13	15045441	70013-0044	70013-2044
46	58.67	15045461	70013-0046	70013-2046
48	61.21	15045481	70013-0048	70013-2048
50	63.75	15045501	70013-0050	70013-2050



SUPPORT BEAMS PRESENT ON 14-50 CIRCUIT PARTS

NOTES:

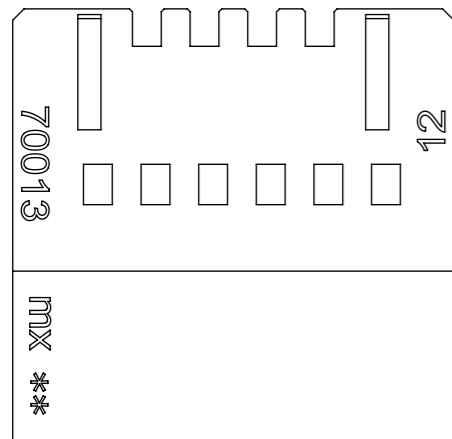
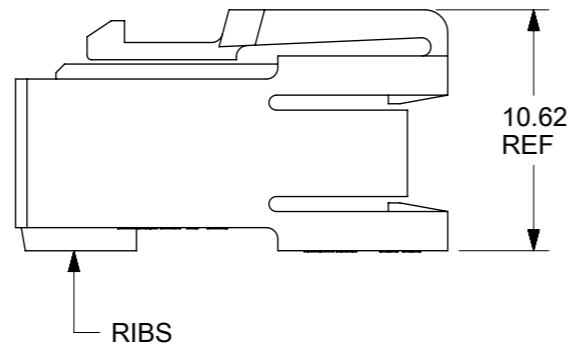
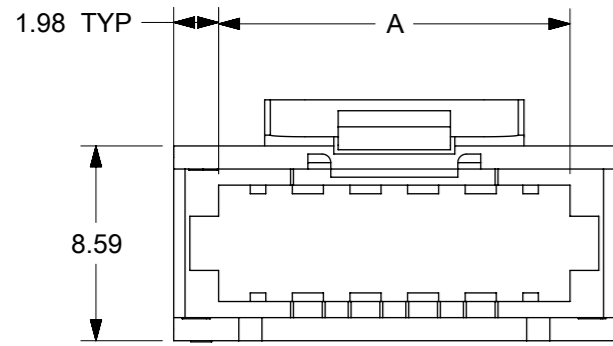
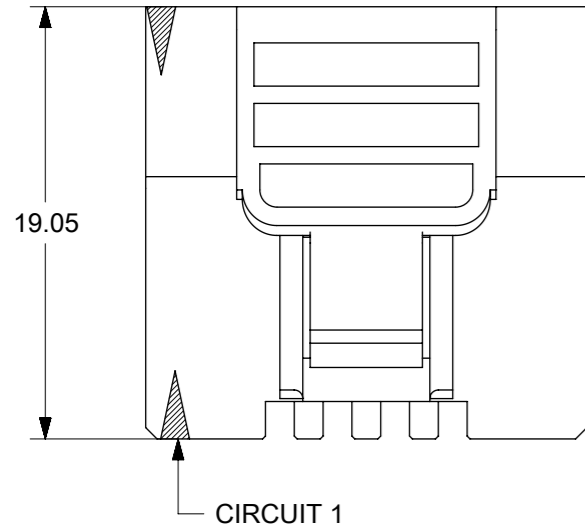
- MATERIAL: POLYESTER, 94V-0, BLACK
- PRODUCT SPECIFICATION:
- PACKAGING SPECIFICATION: 700130000-PK
- OPTIONAL SPRING CLIP: 71809 (ORDERED SEPARATELY) RECOMMENDED ON 20-50 CKT PARTS WHEN USING DISCRETE WIRE FOR HIGH RETENTION FORCE
- INTERIM CLIP ACCEPTS:
 - TWO 70066 SINGLE ROW CRIMP HOUSINGS
 - TWO 70400 SINGLE ROW IDT ASSEMBLIES
 - TWO 70430 SINGLE ROW FFC ASSEMBLIES
 - ONE 70450 DUAL ROW CRIMP HOUSING
- MATES WITH:
 - OPTION A: HOUSINGS WITHOUT RIBS
 - 70567 CGRID DUAL ROW VERTICAL HEADER OPTION B
 - 74162 CGRID DUAL ROW RIGHT ANGLE HEADER OPTION B
 - 70022 DUAL ROW PANEL MOUNT CLIP
 - OPTION B: HOUSINGS WITH RIBS
 - 70567 CGRID DUAL ROW VERTICAL HEADER OPTION C
 - 74162 CGRID DUAL ROW RIGHT ANGLE HEADER OPTION C
 - 70568 CGRID DUAL ROW VERTICAL HEADER
 - 70229 CGRID DUAL ROW RIGHT ANGLE HEADER
 - 70022 DUAL ROW PANEL MOUNT CLIP



SYMBOLS	THIS DRAWING CONTAINS INFORMATION THAT IS PROPRIETARY TO MOLEX ELECTRONIC TECHNOLOGIES, LLC AND SHOULD NOT BE USED WITHOUT WRITTEN PERMISSION		CURRENT REV DESC:		molex
	▽ = 0	mm	SCALE	3:1	
▽ = 0	GENERAL TOLERANCES (UNLESS SPECIFIED)		EC NO: 635923		SL DUAL ROW INTERIM CLIP
▽ = 0	ANGULAR TOL ± °		DRWN: SMAHAJANSHET 2020/04/15		
▽ = 0	4 PLACES	±	CHK'D: NCSR 2020/04/15		PRODUCT CUSTOMER DRAWING
▽ = 0	3 PLACES	±	APPR: NCSR 2020/04/15		
▽ = 0	2 PLACES	± 0.25	INITIAL REVISION:		DOCUMENT NUMBER
▽ = 0	1 PLACE	± 0.38	DRWN: KSAMIEC 2017/07/10		
▽ = 0	0 PLACES	± 0.0	APPR: FSMITH 2017/07/18		700130000-SD
□ = 0	DRAFT WHERE APPLICABLE MUST REMAIN WITHIN DIMENSIONS		THIRD ANGLE PROJECTION	DRAWING	DOC TYPE
▽ = 0			A3-SIZE	SERIES	DOC PART
			70013	MATERIAL NUMBER	000
			SEE CHART	CUSTOMER	REVISION
			GENERAL MARKET	B	
					SHEET NUMBER
					1 OF 3

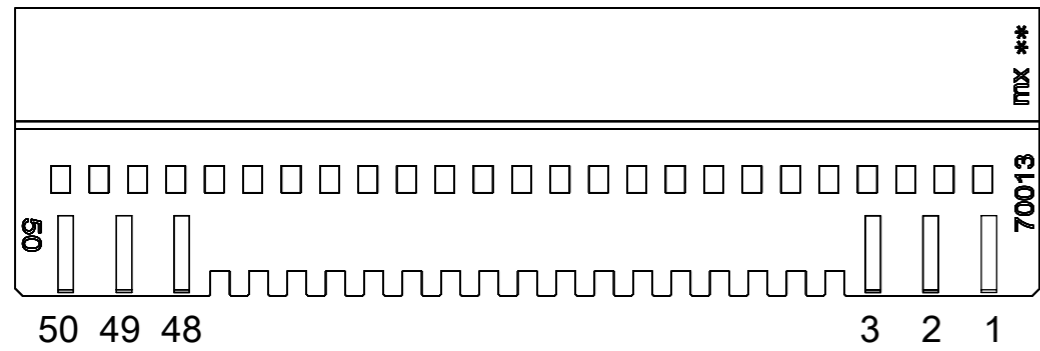
HOUSING OPTIONS WITH RIBS

HOUSING TO INTERIM CLIP RETENTION	HOUSING OPTION	SPRING CLIP 71809
STANDARD	B	NO
MEDIUM	D	NO
HIGH	B AND D	YES

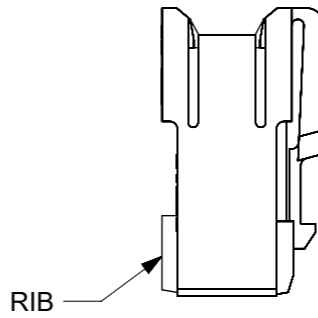


CKTS	DIM A	OPTION B		OPTION D
		MATERIAL NO	ENG NO	MATERIAL NO:
6	7.87	15045064	70013-1006	NA
8	10.41	15045084	70013-1008	NA
10	12.95	15045104	70013-1010	NA
12	15.49	15045124	70013-1012	NA
14	18.03	15045144	70013-1014	NA
16	20.57	15045164	70013-1016	NA
18	23.11	15045184	70013-1018	NA
20	25.65	15045204	70013-1020	70013-3020
22	28.19	15045224	70013-1022	70013-3022
24	30.73	15045244	70013-1024	70013-3024
26	33.27	15045264	70013-1026	70013-3026
28	35.81	15045284	70013-1028	70013-3028
30	38.35	15045304	70013-1030	70013-3030
32	40.89	15045324	70013-1032	70013-3032
34	43.43	15045344	70013-1034	70013-3034
36	45.97	15045364	70013-1036	70013-3036
38	48.51	15045384	70013-1038	70013-3038
40	51.05	15045404	70013-1040	70013-3040
42	53.59	15045424	70013-1042	70013-3042
44	56.13	15045444	70013-1044	70013-3044
46	58.67	15045464	70013-1046	70013-3046
48	61.21	15045484	70013-1048	70013-3048
50	63.75	15045504	70013-1050	70013-3050

SYMBOLS	THIS DRAWING CONTAINS INFORMATION THAT IS PROPRIETARY TO MOLEX ELECTRONIC TECHNOLOGIES, LLC AND SHOULD NOT BE USED WITHOUT WRITTEN PERMISSION				
	DIMENSION UNITS	SCALE			
▽ = 0	mm	3:1	EC NO: 635923		
▽ = 0	GENERAL TOLERANCES (UNLESS SPECIFIED)		DRWN: SMAHAJANSHET 2020/04/15		
▽ = 0	ANGULAR TOL ± °		CHK'D: NCSR 2020/04/15		
▽ = 0	4 PLACES	±	APPR: NCSR 2020/04/15		
▽ = 0	3 PLACES	±	INITIAL REVISION:		
▽ = 0	2 PLACES	± 0.25	DRWN: KSAMIEC 2017/07/10		
▽ = 0	1 PLACE	± 0.38	APPR: FSMITH 2017/07/18		
▽ = 0	0 PLACES	± 0.0	DOCUMENT NUMBER		
□ = 0	DRAFT WHERE APPLICABLE MUST REMAIN WITHIN DIMENSIONS		700130000-SD		
▽ = 0	THIRD ANGLE PROJECTION	DRAWING	SERIES	MATERIAL NUMBER	CUSTOMER
		A3-SIZE	70013	SEE CHART	GENERAL MARKET
					DOC TYPE DOC PART REVISION
					PSD 000 B
					SHEET NUMBER
					2 OF 3



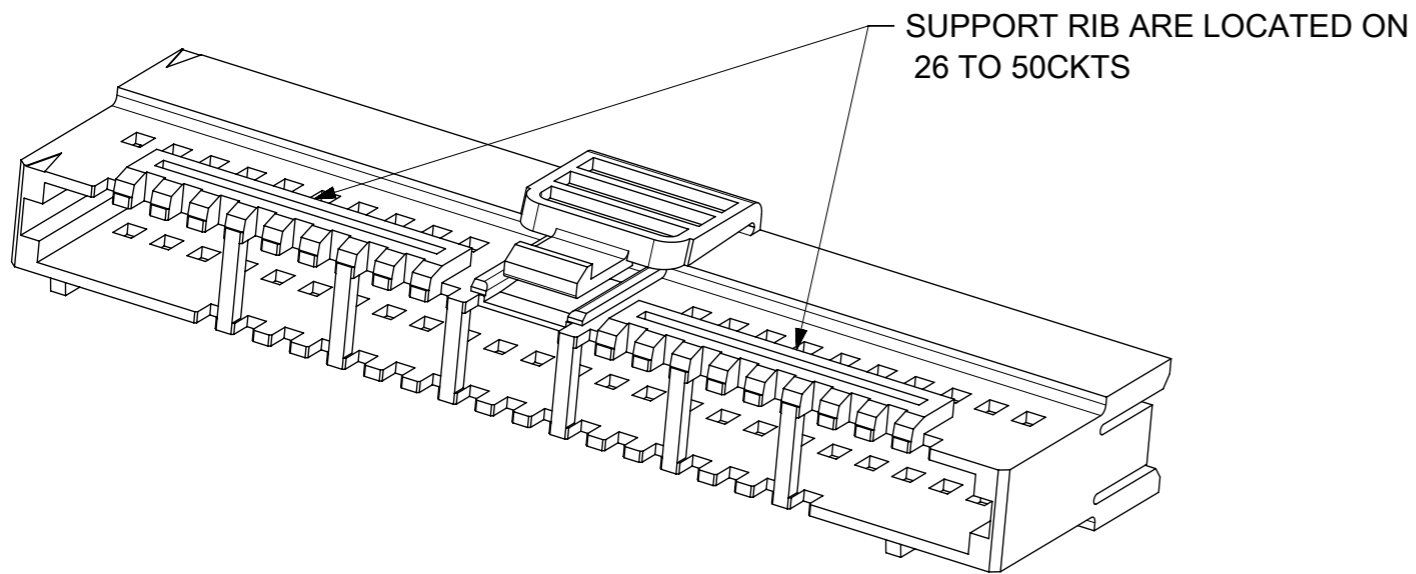
POLARIZING RIB LOCATIONS
AVAILABLE ON 50 CKT PARTS ONLY
SEE CHART FOR LOCATIONS



OPTION E					
CUSTOM POLARIZING RIB LOCATIONS			MATES WITH		
CKTS	MATERIAL NO	ENG NO	RIB LOCATIONS	MATERIAL NO	ENG NO
50	15-04-5500	70013-1051	1 AND 49	50-65-0501	70022-0061
50	15-04-5502	70013-1052	1 AND 48	50-65-0502	70022-0062
50	15-04-5503	70013-1053	2 AND 50	50-65-0503	70022-0063
50	15-04-5505	70013-1054	2 AND 49	50-65-0504	70022-0064
50	15-04-5506	70013-1055	2 AND 48	50-65-0505	70022-0065
50	15-04-5507	70013-1056	3 AND 50	50-65-0506	70022-0066
50	15-04-5508	70013-1057	3 AND 49	50-65-0507	70022-0067
50	15-04-5509	70013-1058	3 AND 48	50-65-0508	70022-0068

CUSTOM HOUSING OPTION WITH STANDARD RIBS AND POLARIZING RIBS

HOUSING TO INTERIM CLIP RETENTION	HOUSING OPTION	SPRING CLIP 71809
STANDARD	E	NO
MEDIUM	NA	NA
HIGH	E	YES



SYMBOLS ▽ = 0 ▽ = 0 ▽ = 0 ▽ = 0 ▽ = 0 ▽ = 0 ▽ = 0 ▽ = 0 ▽ = 0 ▽ = 0 ▽ = 0	THIS DRAWING CONTAINS INFORMATION THAT IS PROPRIETARY TO MOLEX ELECTRONIC TECHNOLOGIES, LLC AND SHOULD NOT BE USED WITHOUT WRITTEN PERMISSION DIMENSION UNITS: mm SCALE: 2:1		CURRENT REV DESC: EC NO: 635923 DRWN: SMAHAJANSHET 2020/04/15 CHK'D: NCSR 2020/04/15 APPR: NCSR 2020/04/15			 SL DUAL ROW INTERIM CLIP			
	GENERAL TOLERANCES (UNLESS SPECIFIED) ANGULAR TOL ± °			INITIAL REVISION: DRWN: KSAMIEC 2017/07/10 APPR: FSMITH 2017/07/18					PRODUCT CUSTOMER DRAWING
	4 PLACES ± 3 PLACES ± 2 PLACES ± 0.25 1 PLACE ± 0.38 0 PLACES ± 0.0			DOCUMENT NUMBER: 700130000-SD DOC TYPE: PSD DOC PART: 000 REVISION: B			SHEET NUMBER: 3 OF 3		
	DRAFT WHERE APPLICABLE MUST REMAIN WITHIN DIMENSIONS			THIRD ANGLE PROJECTION 			DRAWING: A3-SIZE SERIES: 70013 MATERIAL NUMBER: 70013 CUSTOMER: GENERAL MARKET		