



产品编号 : [15060145](#)

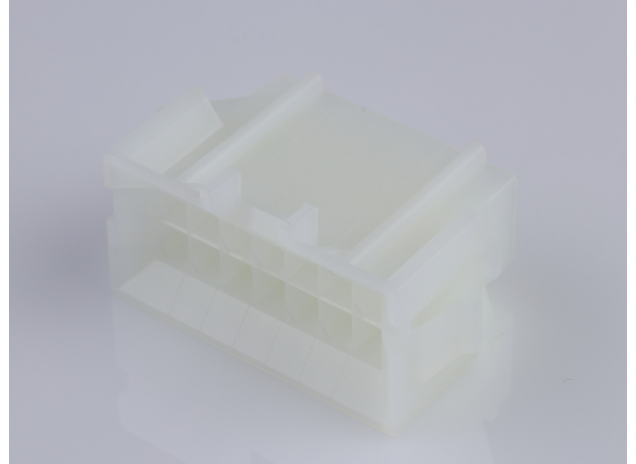
Product Description : Mini-Fit BMI Plug Housing, 4.20mm Pitch Dual Row with Panel Mount Ears, PA Polyamide Nylon 6/6, UL 94V-2, 14 Circuits

系列号 : 42475

状态 : Active

Product Category : Connector Housings

工程编号 : 42475-1411



文件和资源

图纸

[图纸 015060145_sd.pdf](#)

3D 模型和设计文件

[3D模型 015060145_stp.zip](#)

规格

[包装规格 PK-42474-001-001.pdf](#)

[产品规格 PS-45750-001-001.pdf](#)

[产品规格 55560002-PS-CH-000.pdf](#)

[产品规格 55560002-PS-ES-000.pdf](#)

[产品规格 55560002-PS-SK-000.pdf](#)

[产品规格 PS-5556-002-001.pdf](#)

[测试摘要 TS-42475-001-001.pdf](#)

[测试摘要 TS-5556-002-001.pdf](#)

产物环境合规

合规

GADSL/IMDS	Not Relevant
China RoHS	
EU ELV	Not Relevant
Low-Halogen Status	Low-Halogen per IEC 61249-2-21
REACH SVHC	Not Contained per D(2023)3788-DC (14 Jun 2023)
EU RoHS	Compliant per EU 2015/863

多部分产品合规性声明

- Eu RoHS
- REACH SVHC
- Low-Halogen

多部分行业合规性文件

- IPC 1752A Class C
- IPC 1752A Class D
- Molex Product Compliance Declaration
- IEC-62474
- chemSHERPA (xml)

欧盟 RoHS 合格证书

产品详情

常规

状态	活动
类别	Connector Housings
系列	42475
说明	Mini-Fit BMI Plug Housing, 4.20mm Pitch Dual Row with Panel Mount Ears, PA Polyamide Nylon 6/6, UL 94V-2, 14 Circuits
应用	Power, Wire-to-Board, Wire-to-Wire
个评论	Current = 13A max. per circuit when header is mated to a receptacle loaded with 45750 series terminals crimped to 16 AWG wire. See Molex product specification PS-45750-001 for additional current derating information.
产品系列	Mini-Fit Family Power Connectors
产品名称	Mini-Fit BMI
UPC	800755534627

机构

CSA	LR19980
UL	E29179

物理

电路数 (最多)	14
----------	----

颜色-树脂	Natural
阻燃性	94V-2
性别	Plug
符合灼热丝规范	否
锁定插接部位	是
材料 - 树脂	Nylon
净重	5.500/g
行数	2
包装形式	Bag
面板安装式	是
间距 - 插配接口	4.20mm
间距 - 终端界面	4.20mm
有极性的插配件	是
可堆叠的	否
运行温度范围	-40° to +105° C

可配插/可连接使用的产品

可配插部件

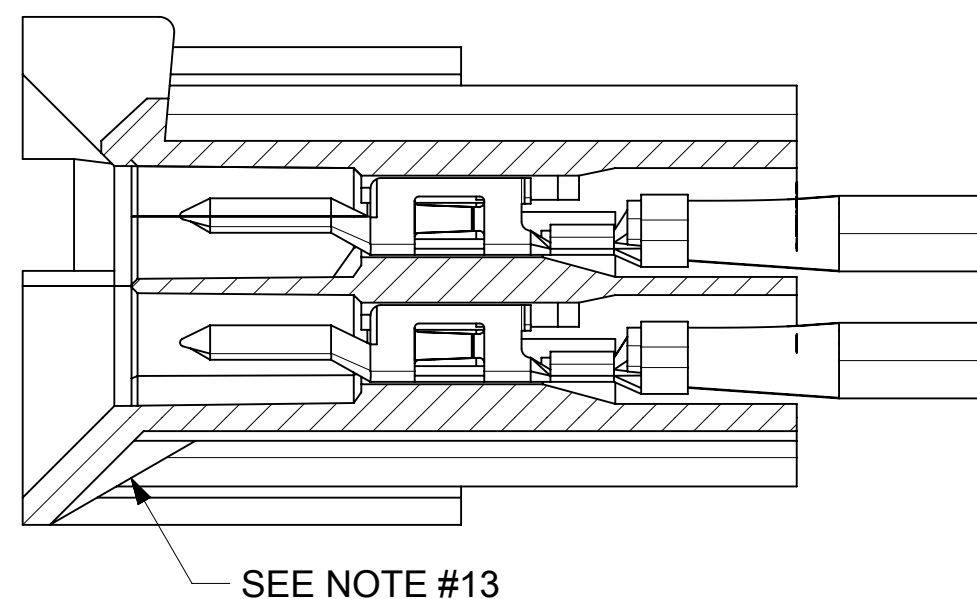
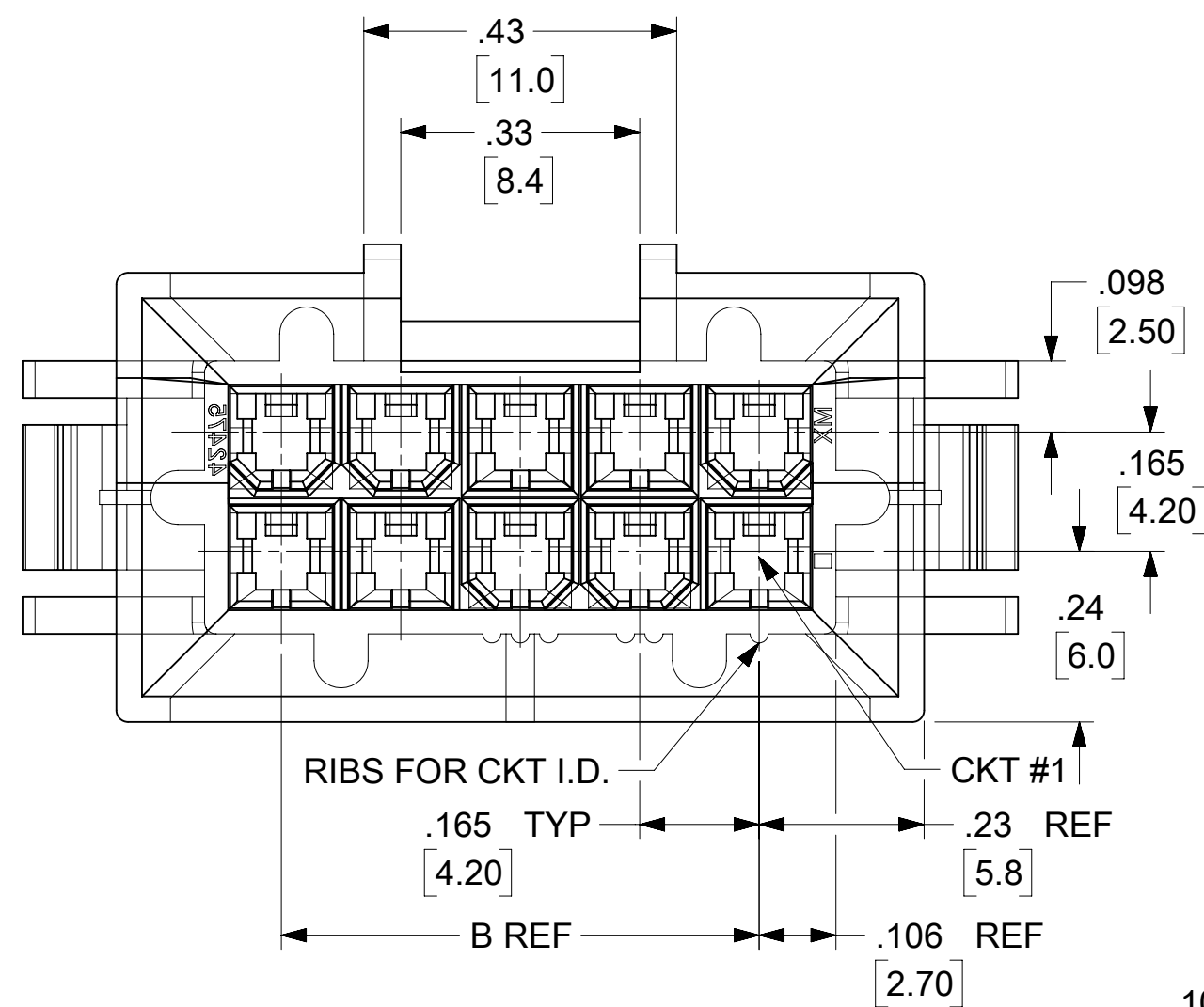
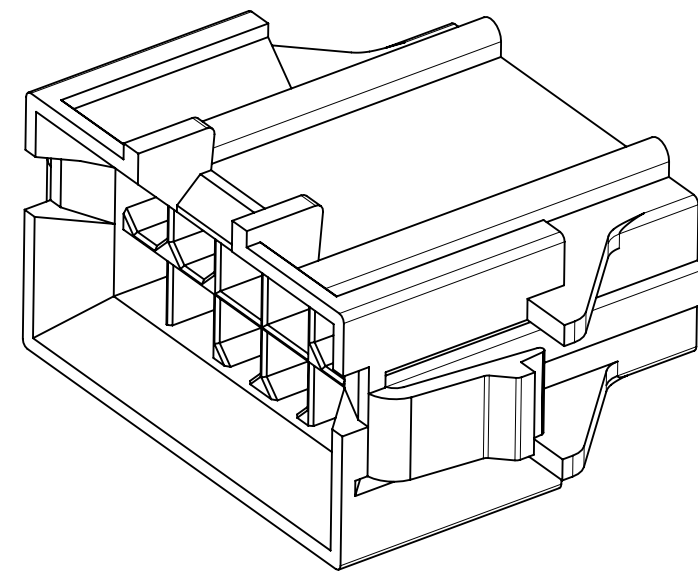
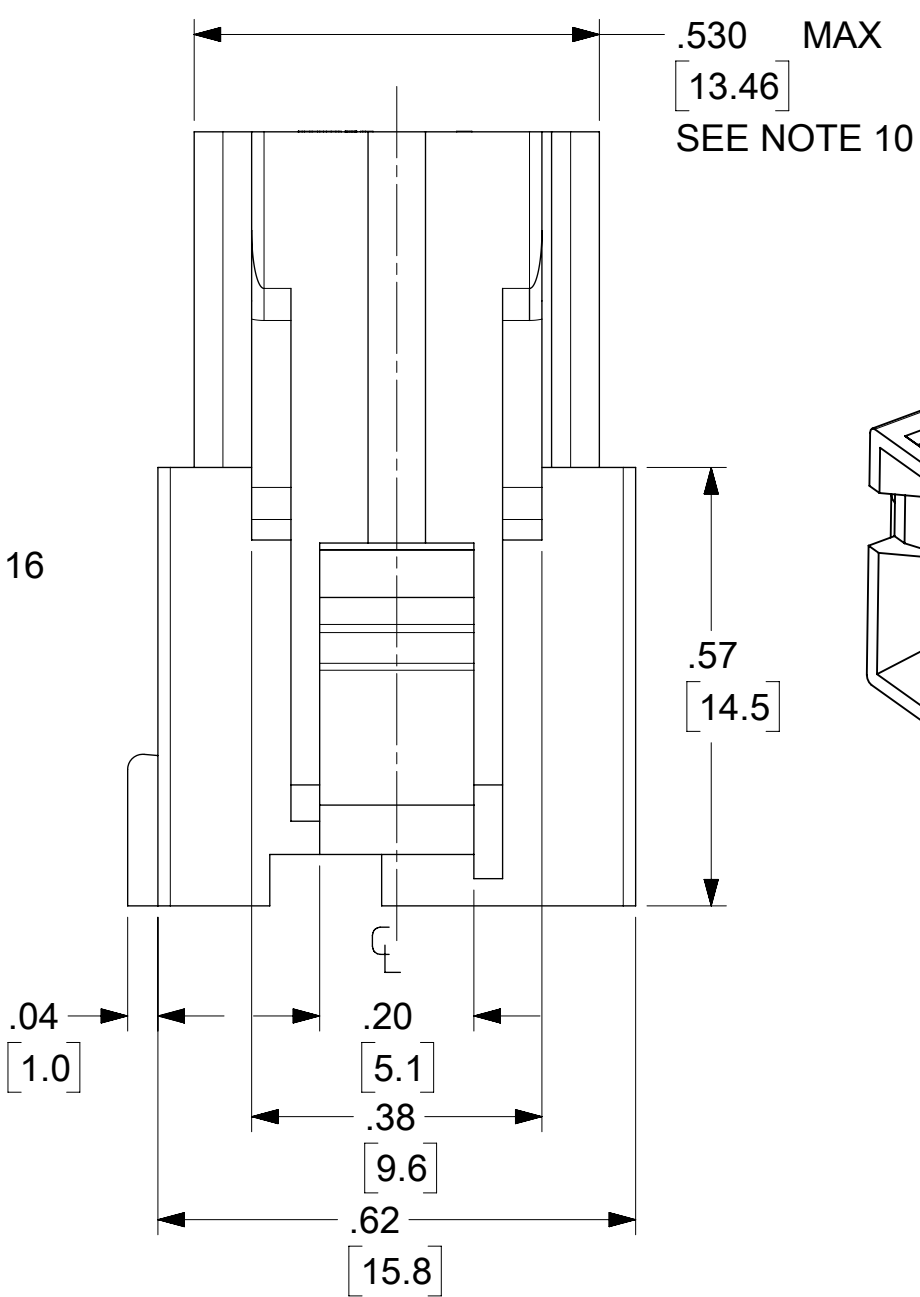
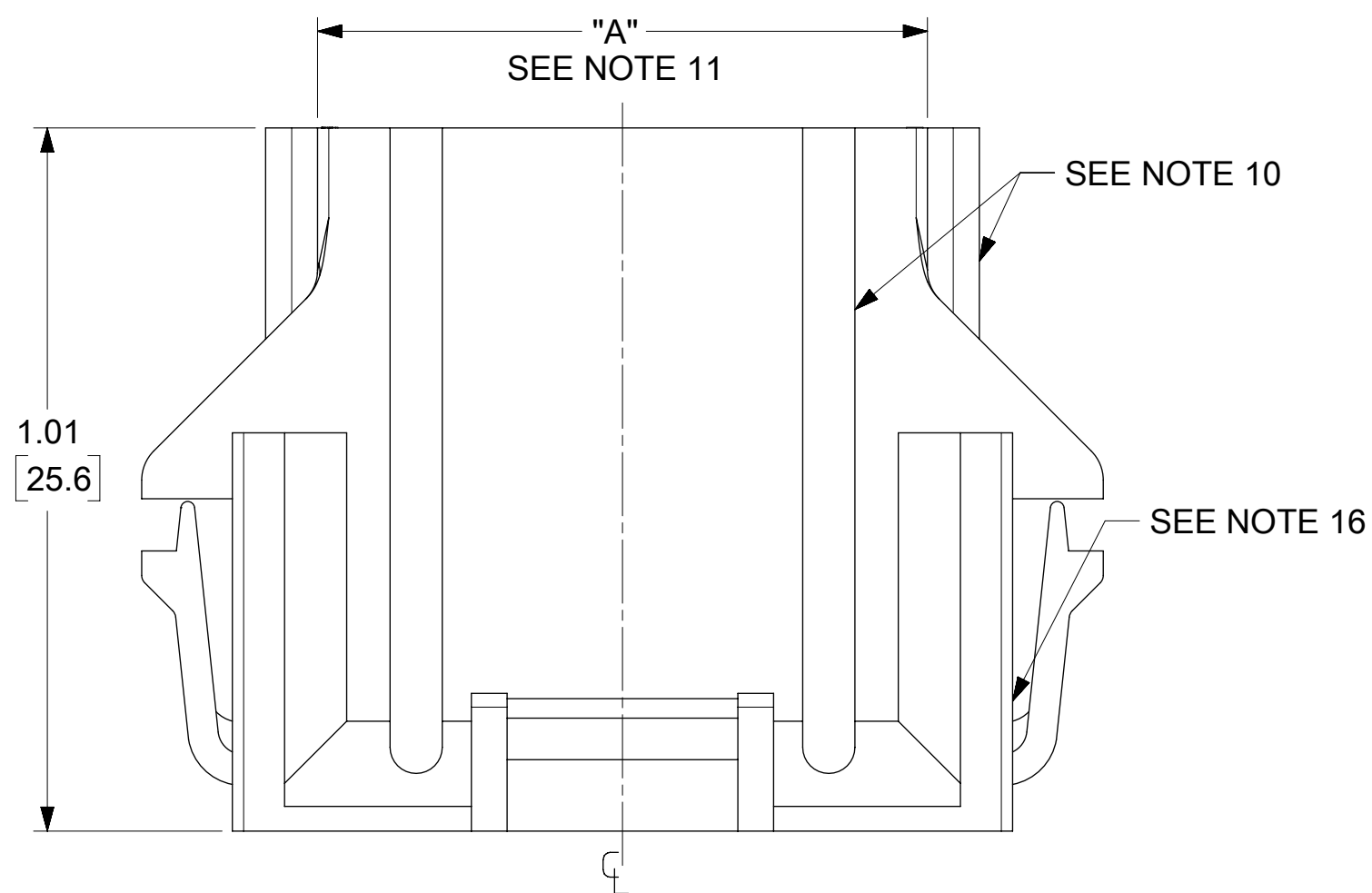
描述	产品编号
Mini-Fit BMI Receptacle Housing, 4.20mm Pitch, Dual Row with Panel Mount Ears, PA Polyamide Nylon 6/6, UL 94V-2, 14 Circuits	<u>0015060140</u>
Mini-Fit Jr. Receptacle Housing, Dual Row, 14 Circuits, UL 94V-2, Natural	<u>0039012140</u>
Mini-Fit HCS Receptacle Header, 4.20mm Pitch, Dual Row, Vertical, Blind Mating, with Snap-in Plastic Pegs, 14 Circuits	<u>0444751411</u>
Mini-Fit BMI Vertical Dual Row Receptacle Headers	<u>42385</u>

可连接使用部件

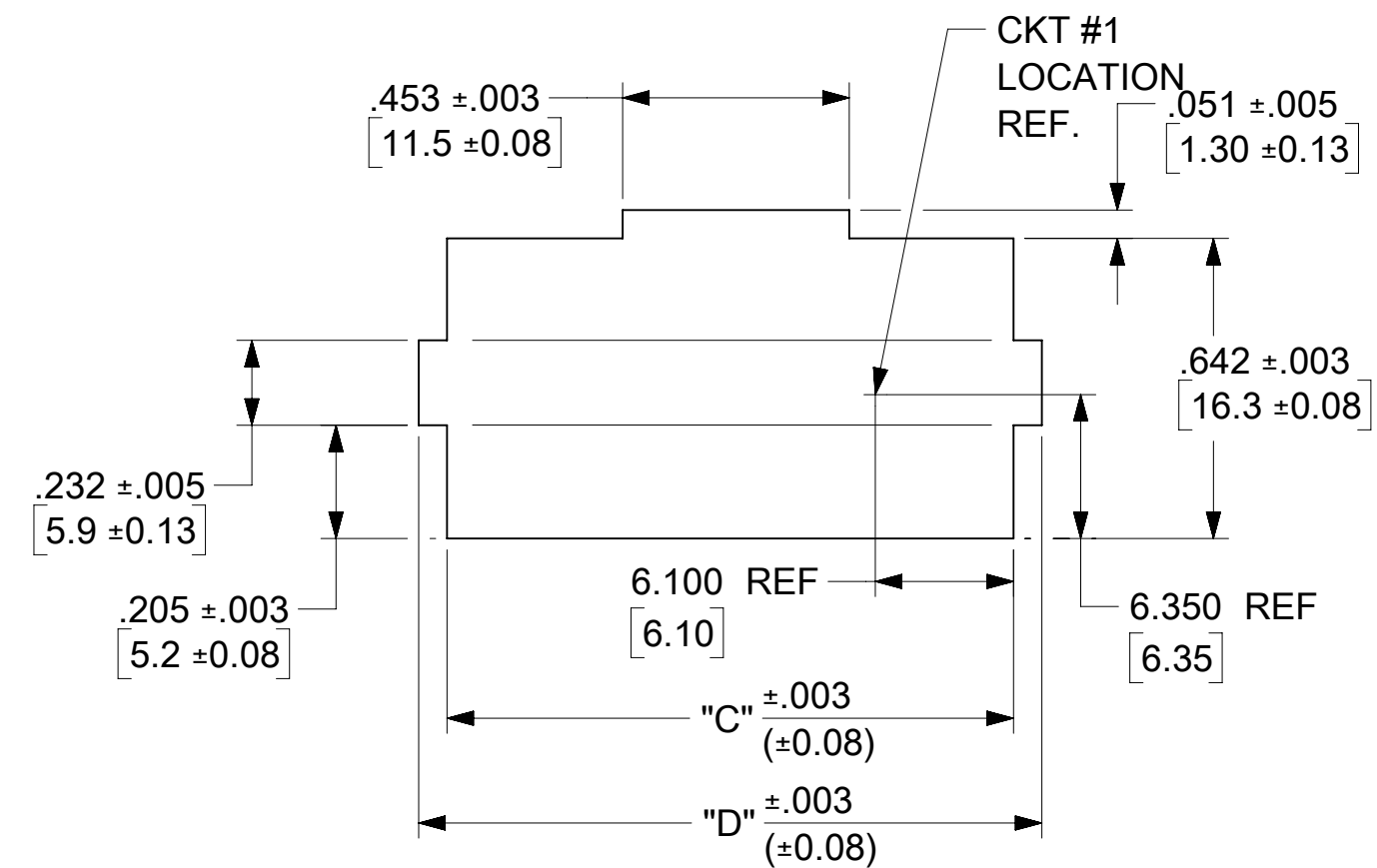
描述	产品编号
Pre-Crimped Lead Mini-Fit Male-to-Mini-Fit Male, Tin (Sn) Plating, 150.00mm Length, 18 AWG, Red	<u>/content/molex/molex-dot-com/cn/zh/products/product-page.html/797580005.html</u>

Pre-Crimped Lead Mini-Fit Male-to-Mini-Fit Male, Tin (Sn) Plating, 300.00mm Length, 18 AWG, Red	/content/molex/molex-dot-com/cn/zh/products/product-page.html/797580013.html
Mini-Fit Male Crimp Terminals	<u>5558</u>
Mini-Fit Plus Male Crimp Terminals	<u>46012</u>

This document was generated on Jan 30, 2024



**SECTION A-A
TERMINAL ORIENTATION**



**RECOMMENDED CUT-OUT FOR .63/(1.60) MAX.
.038/(0.97) MIN THICK PANEL (6-24 CKT'S)
SCALE : 2X**

CIRCUIT SIZE	DIM "A"	DIM "B"	DIM "C"	DIM "D"
6	.54 (13.8)	.33 (8.4)	.807 (20.50)	.945 (24.00)
8	.71 (18.0)	.50 (12.6)	.972 (24.70)	1.110 (28.20)
10	.87 (22.2)	.66 (16.8)	1.138 (28.90)	1.276 (32.40)
12	1.04 (26.4)	.83 (21.0)	1.303 (33.10)	1.441 (36.60)
14	1.20 (30.6)	.99 (25.2)	1.469 (37.30)	1.606 (40.80)
16	1.37 (34.8)	1.16 (29.4)	1.643 (41.50)	1.772 (45.00)
18	1.54 (39.0)	1.32 (33.6)	1.799 (45.70)	1.937 (49.20)
20	1.70 (43.2)	1.49 (37.8)	1.965 (49.90)	2.102 (53.40)
22	1.87 (47.4)	1.65 (42.0)	2.130 (54.10)	2.268 (57.60)
24	2.03 (51.6)	1.82 (46.2)	2.295 (58.30)	2.433 (61.80)

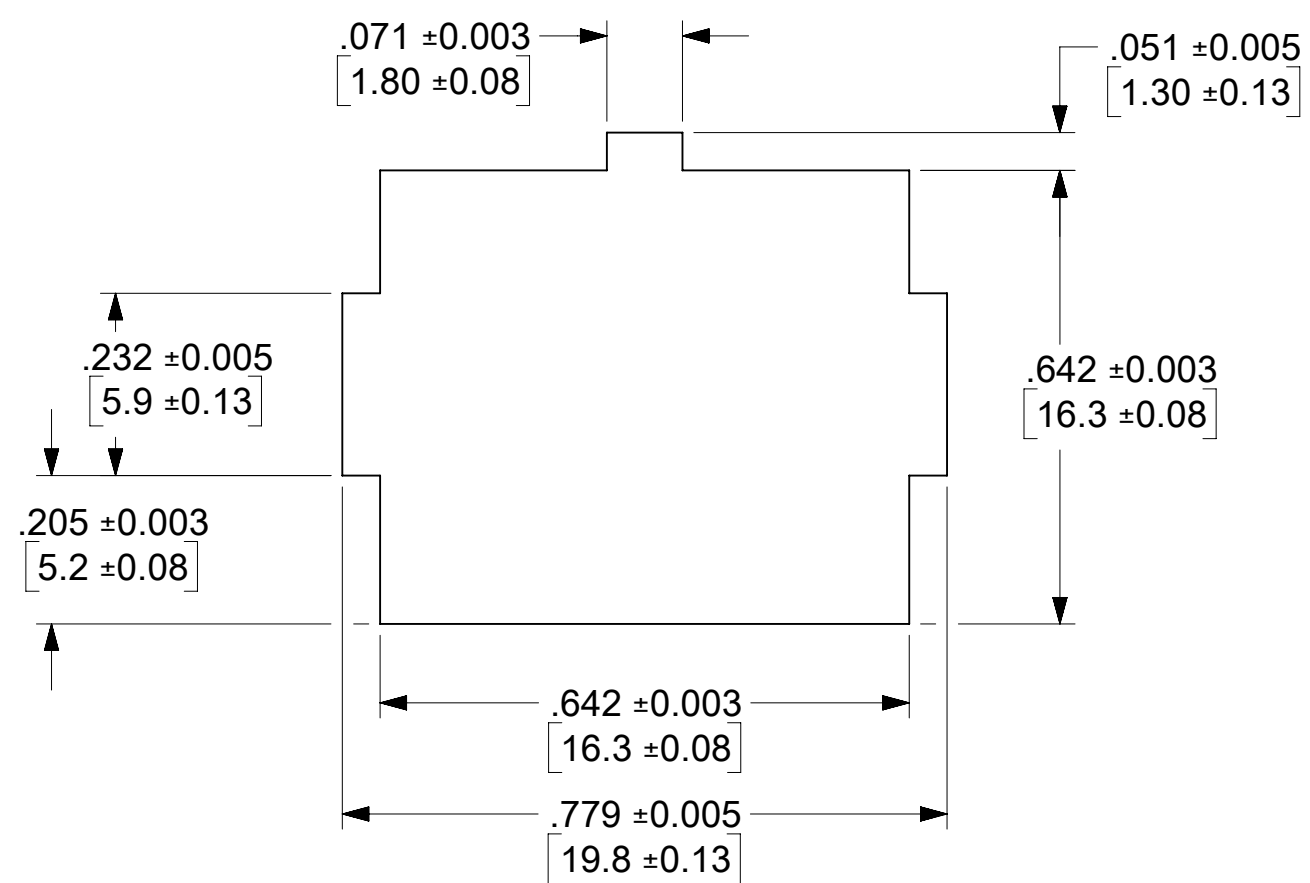
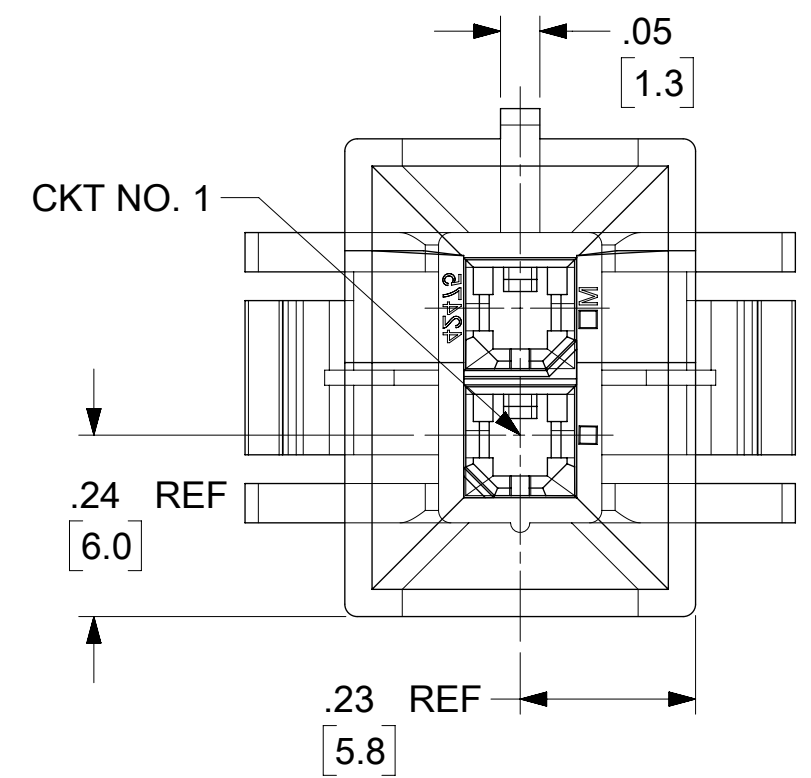
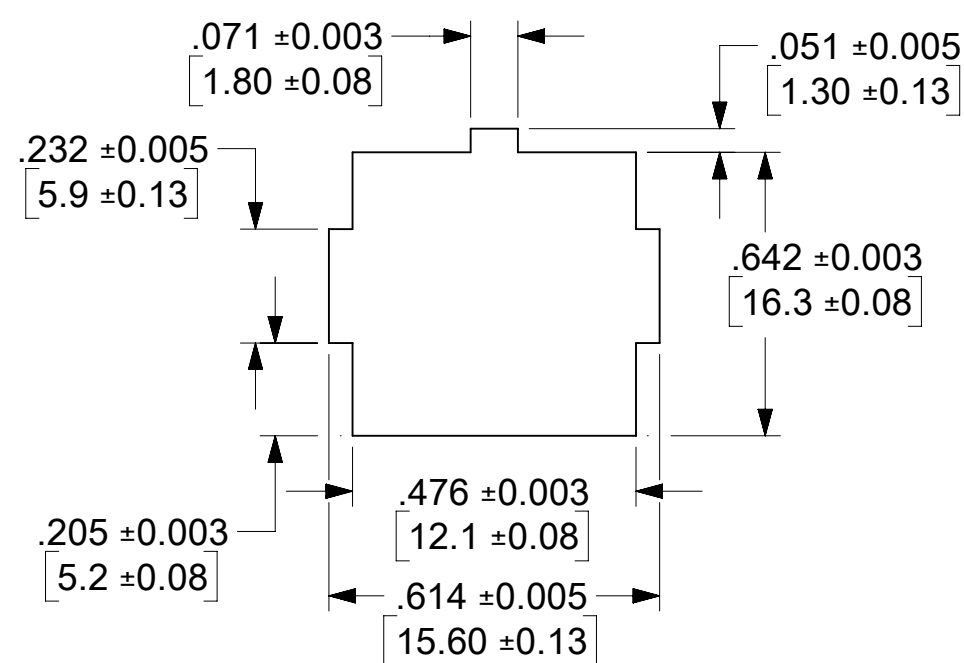
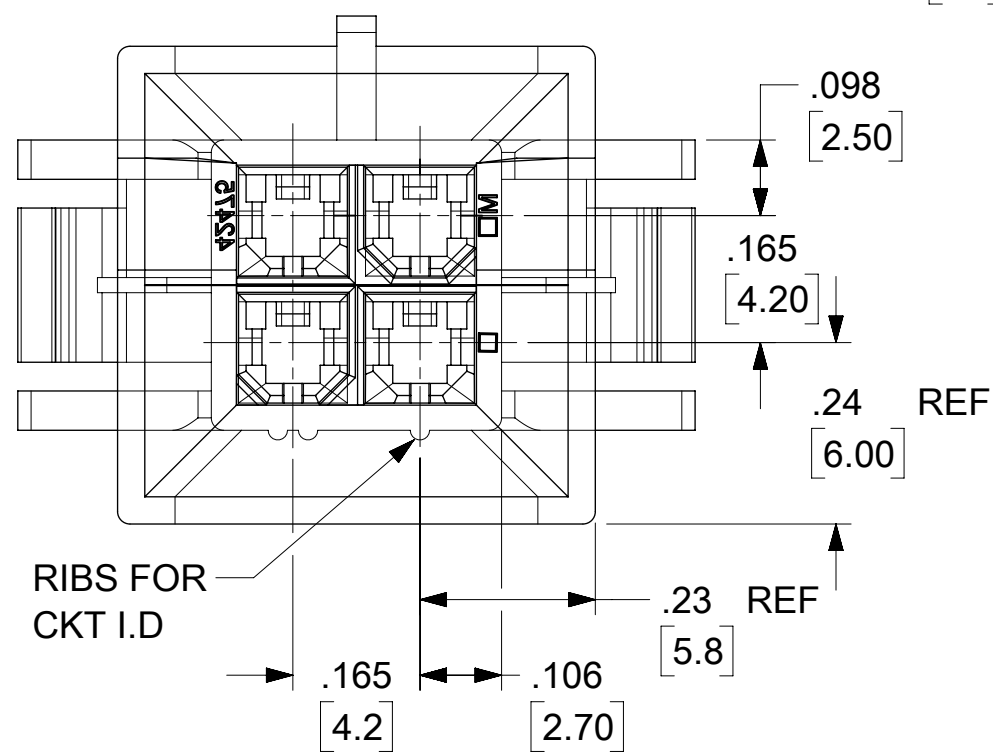
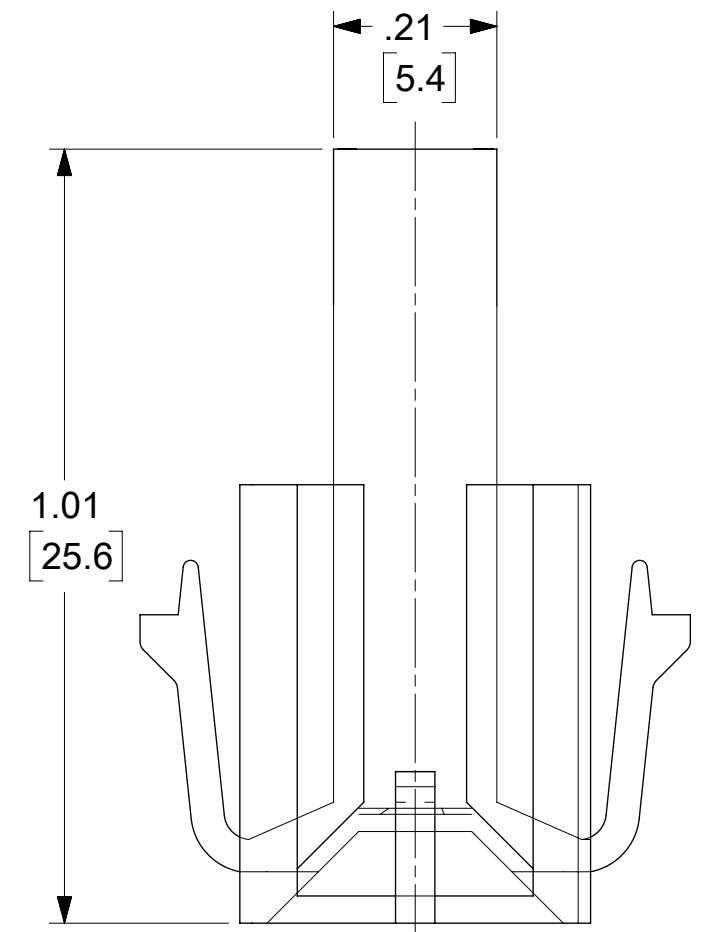
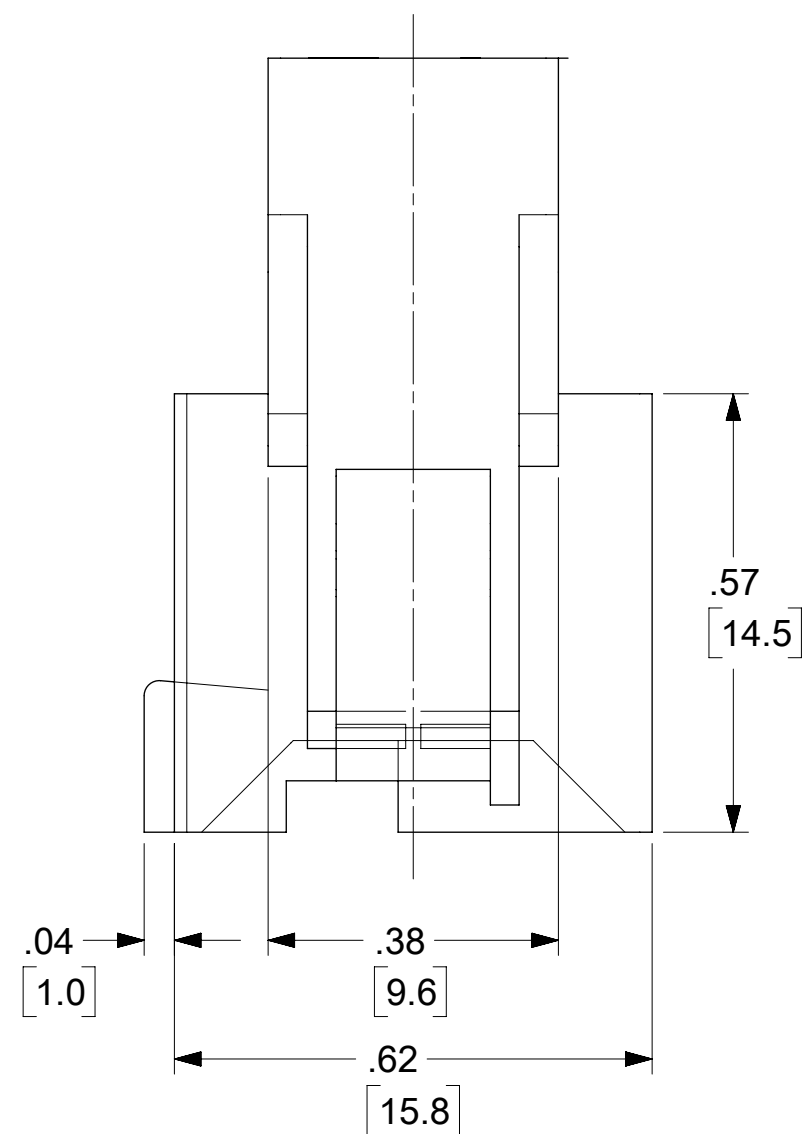
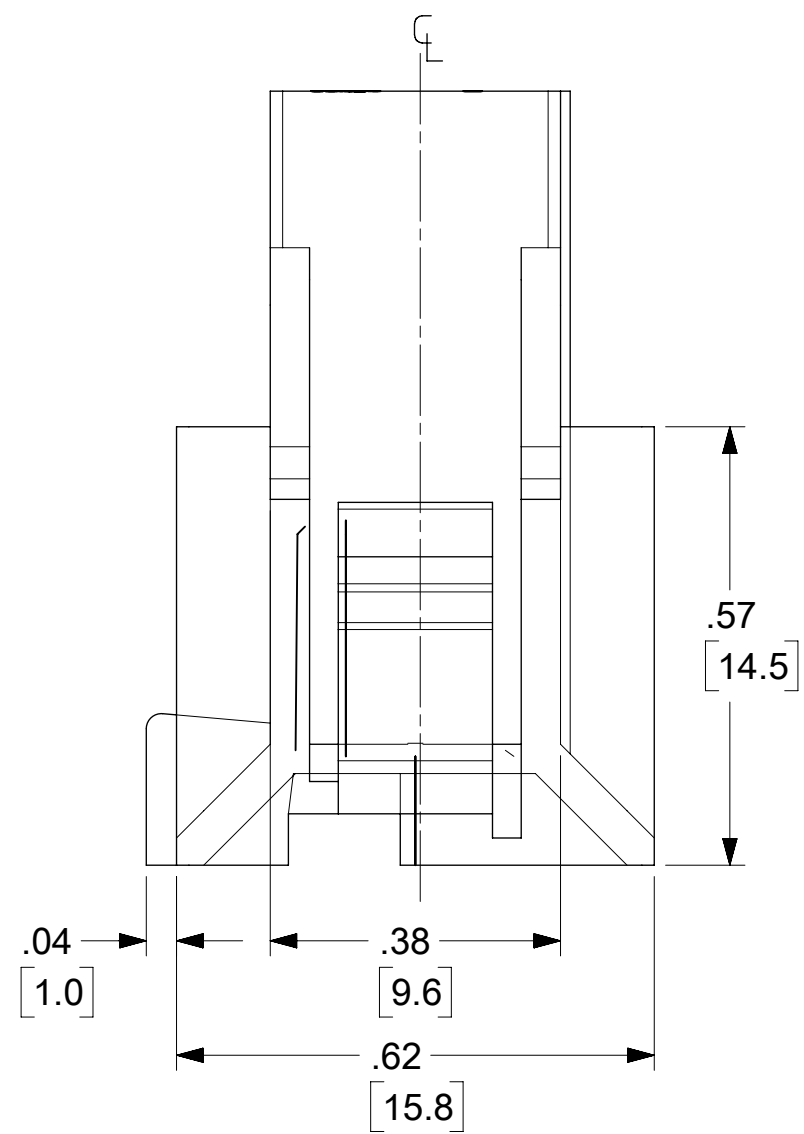
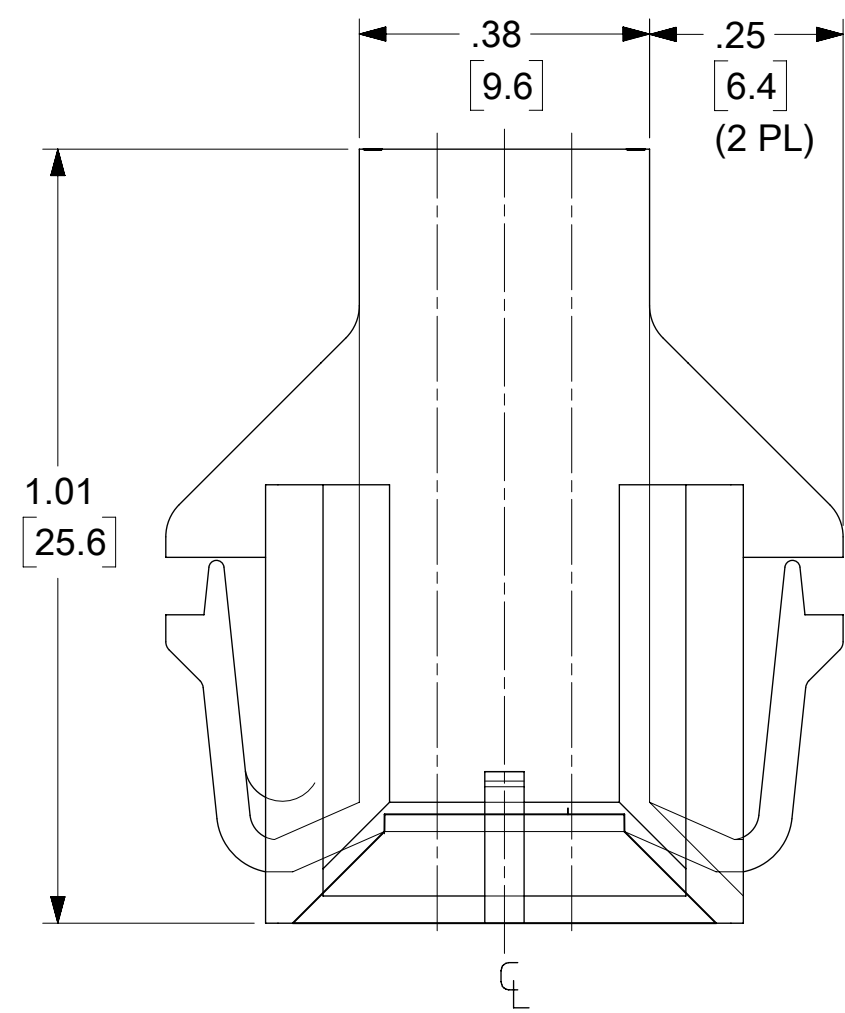
NOTES:

- MATERIAL:
 "1" = NYLON (PA6/6), UNFILLED, UL94 V-2, COLOR: NATURAL
 "2" = NYLON (PA6/6), UNFILLED, UL94 V-0, COLOR: NATURAL
 "3" = NYLON (PA6/6), UNFILLED, UL94 V-2, COLOR: BLACK
 "4" = NYLON (PA6/6), UNFILLED, UL94 V-0, COLOR: BLACK
 "7" = NYLON (PA6/6), UNFILLED, UL94 V-0, GLOW WIRE, COLOR: BLACK
- FINISH: NOT APPLICABLE
- PRODUCT SPECIFICATIONS: PS-5556-002
- PACKAGING: PK-42474-001.
- 6-24 CKT. PARTS MATE WITH MOLEX RECEPTACLES 5557, 42385 AND 42474. 2 AND 4 CKT. PARTS MATE WITH 42385 AND 42474 ONLY.
- PART IS FOR USE WITH MALE TERMINAL #5558.
- PART ALLOWS FOR UP TO .100/(2.54) MISALIGNMENT WITH MATING RECEPTACLE IN ANY DIRECTION. SEE MATING CONNECTOR DRAWINGS FOR SPECIFIC ALLOWANCES.
- PANEL CUT-OUT TO BE PUNCHED IN THE SAME DIRECTION AS CONNECTOR INSERTION.
- PART CONFORMS TO CLASS "B" REQUIREMENTS OF COSMETIC SPECIFICATIONS PS-45499-022.

- FOR MANUFACTURING EASE PARTS MAY HAVE OPTIONAL EJECTOR RIBS. SEE SHT.3 FOR LOCATION.
- DIMENSION DOES NOT INCLUDE EJECTOR RIBS (SEE PAGE #3 FOR PARTS WITH PARTS, RIB DIMENSION AND LOCATION)
- IF THIS PRODUCT IS STORED IN AN ENVIRONMENT WITH A RELATIVE HUMIDITY OF LESS THAN 50%, MOISTURE BE ADDED. REFER TO TECHNICAL ADVISORY AS-45499-001 FOR INSTRUCTIONS.
- INTERIOR RIB LOCATION MAY VARY.

- CONNECTOR ASSEMBLIES ARE NOT TO BE MATED OR UNMATED WHILE CIRCUITS ARE LIVE.
- WIRES ARE TO DRESSED IN SUCH A MANNER TO ALLOW THE TERMINALS TO FLOAT FREELY IN THE POCKET.
- PARTS MAY HAVE OPTIONAL GUSSET.

THIS DRAWING CONTAINS INFORMATION THAT IS PROPRIETARY TO MOLEX ELECTRONIC TECHNOLOGIES, LLC AND SHOULD NOT BE USED WITHOUT WRITTEN PERMISSION			
DIMENSION UNITS IN/MM	SCALE 4:1	CURRENT REV DESC:	
GENERAL TOLERANCES (UNLESS SPECIFIED)		molex PLUG HOUSING B.M.I. 2-24 CIRCUITS MINI-FIT SERIES PRODUCT CUSTOMER DRAWING	
	MM INCH		
4 PLACES ±	±		
3 PLACES ±	± 0.01		
2 PLACES ±	± 0.25 ± 0.015		
1 PLACE ±	± 0.38 ±	EC NO: 690613	2021/12/31
0 PLACES ±	±	DRWN: HPAN18	2022/01/04
ANGULAR TOL ±	± 0.5 °	CHK'D: XQZHANG	2022/01/04
DRAFT WHERE APPLICABLE MUST REMAIN WITHIN DIMENSIONS		APPR: XQZHANG	2022/01/04
THIRD ANGLE PROJECTION		INITIAL REVISION:	DOCUMENT NUMBER
DRAWING SERIES		DRWN: GEP	SD-42475-XXX1
C-SIZE 42475		APPR: FSMITH	DOC TYPE DOC PART REVISION
MATERIAL NUMBER CUSTOMER SHEET NUMBER		1989/07/18	PSD 001 T3
SEE SHEET 4 GENERAL MARKET 1 OF 4		2011/09/02	



**RECOMMENDED CUT-OUT FOR .63/(1.60)
MAX. THICK PANEL #1 (2 CKTS)
SCALE: 2X
2 CKT**

**RECOMMENDED CUT-OUT FOR .63/(1.60)
MAX. THICK PANEL (4 CKTS)
SCALE: 2X
4 CKT**

THIS DRAWING CONTAINS INFORMATION THAT IS PROPRIETARY TO MOLEX ELECTRONIC TECHNOLOGIES, LLC AND SHOULD NOT BE USED WITHOUT WRITTEN PERMISSION

DIMENSION UNITS		SCALE		CURRENT REV DESC:	
IN/MM		4:1			
GENERAL TOLERANCES (UNLESS SPECIFIED)					
	MM	INCH			
4 PLACES	±	±		EC NO: 690613	
3 PLACES	±	±	0.01	DRWN: HPAN18 2021/12/31	
2 PLACES	±	0.25	±	0.015	CHK'D: XQZHANG 2022/01/04
1 PLACE	±	0.38	±		APPR: XQZHANG 2022/01/04
0 PLACES	±	±		INITIAL REVISION:	
ANGULAR TOL		± 0.5 °		DRWN: GEP 1989/07/18	
DRAFT WHERE APPLICABLE MUST REMAIN WITHIN DIMENSIONS		THIRD ANGLE PROJECTION		APPR: FSMITH 2011/09/02	
		DRAWING		SERIES	
		C-SIZE		42475	
DOCUMENT STATUS		CUSTOMER		SHEET NUMBER	
P1		GENERAL MARKET		2 OF 4	

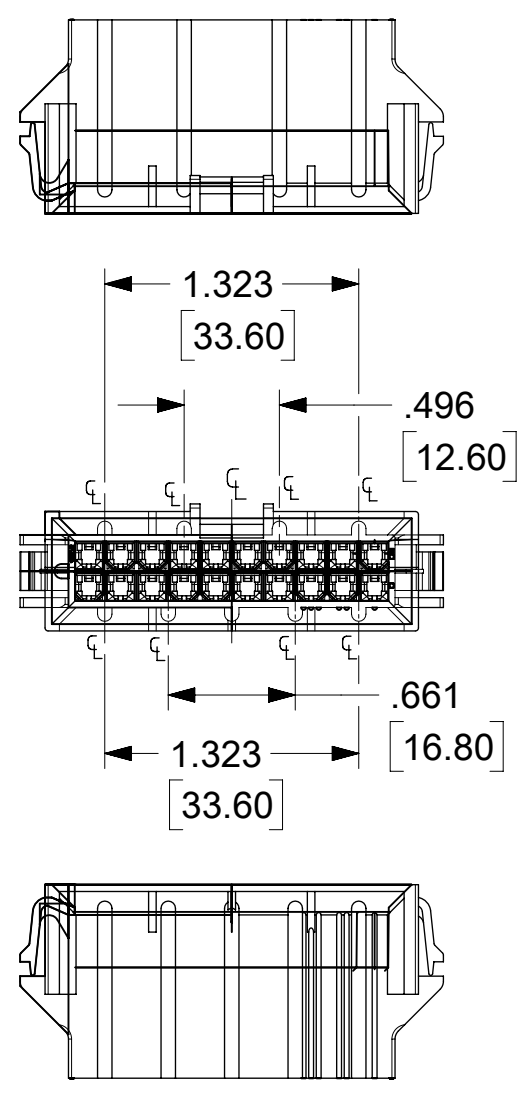
molex

PLUG HOUSING B.M.I.
2-24 CIRCUITS MINI-FIT SERIES

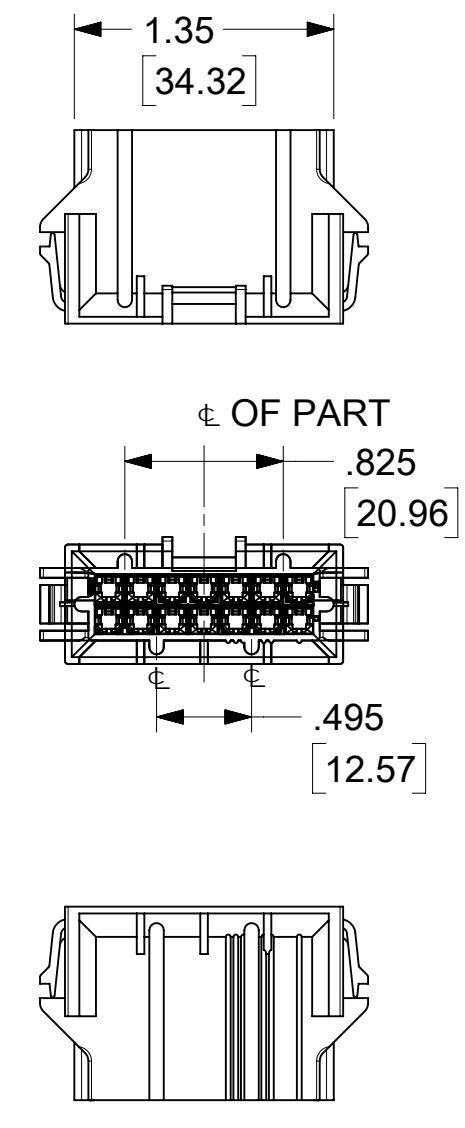
PRODUCT CUSTOMER DRAWING

DOCUMENT NUMBER	DOC TYPE	DOC PART	REVISION
SD-42475-XXX1	PSD	001	T3

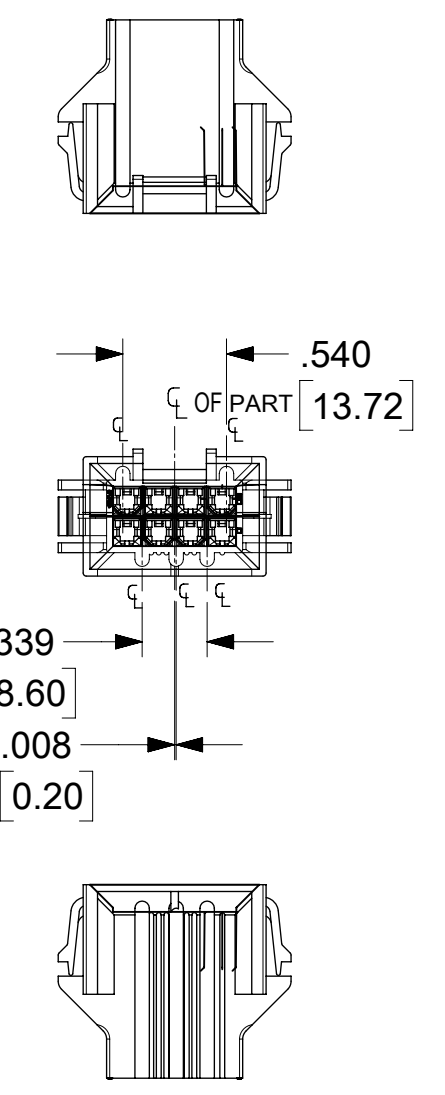
MATERIAL NUMBER	CUSTOMER	SHEET NUMBER
SEE SHEET 4	GENERAL MARKET	2 OF 4



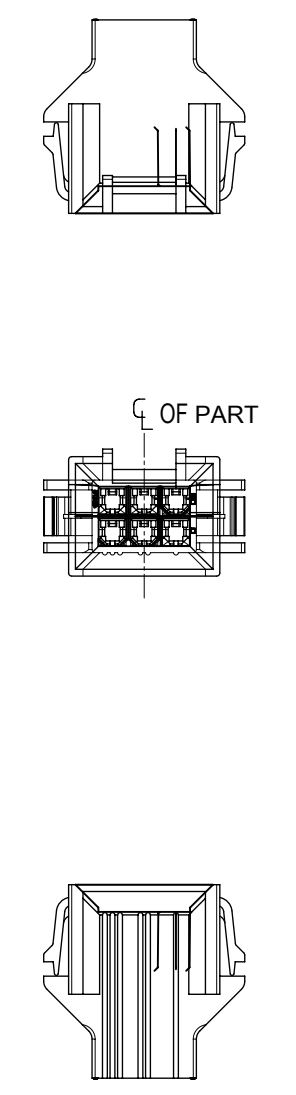
20 CIRCUIT



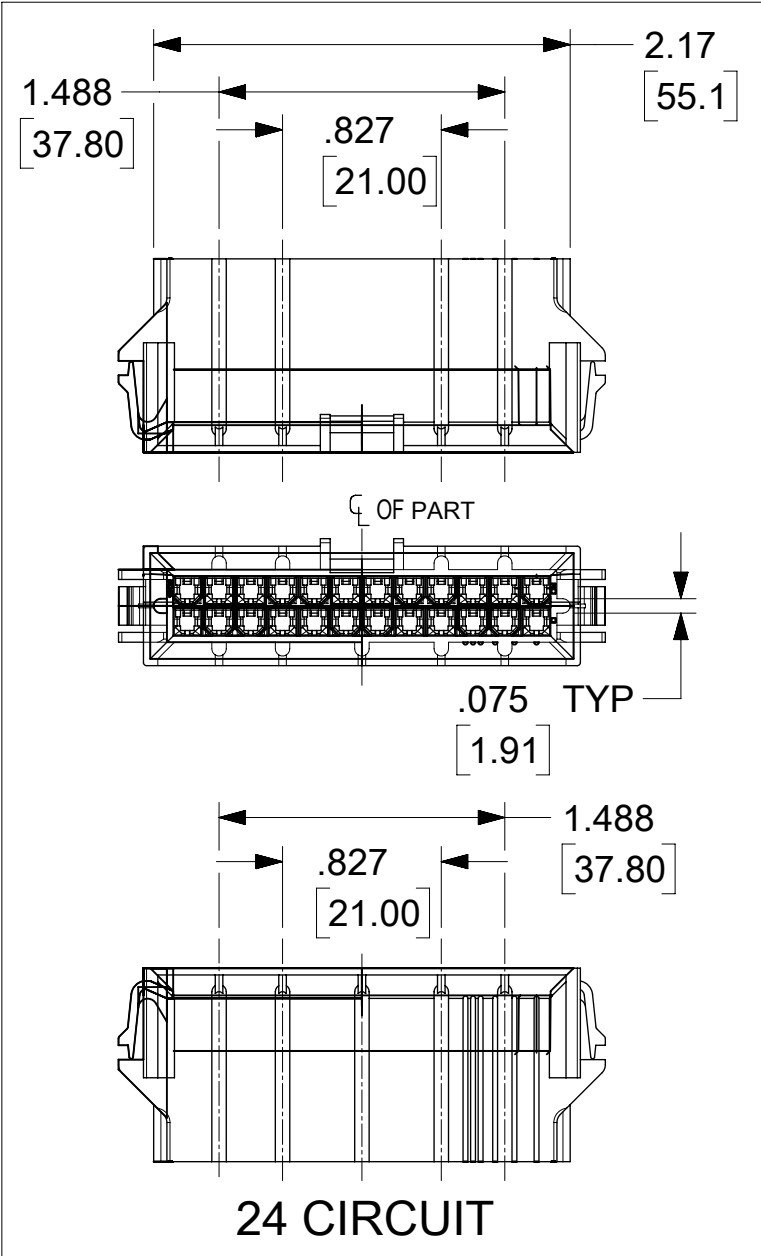
14 CIRCUIT



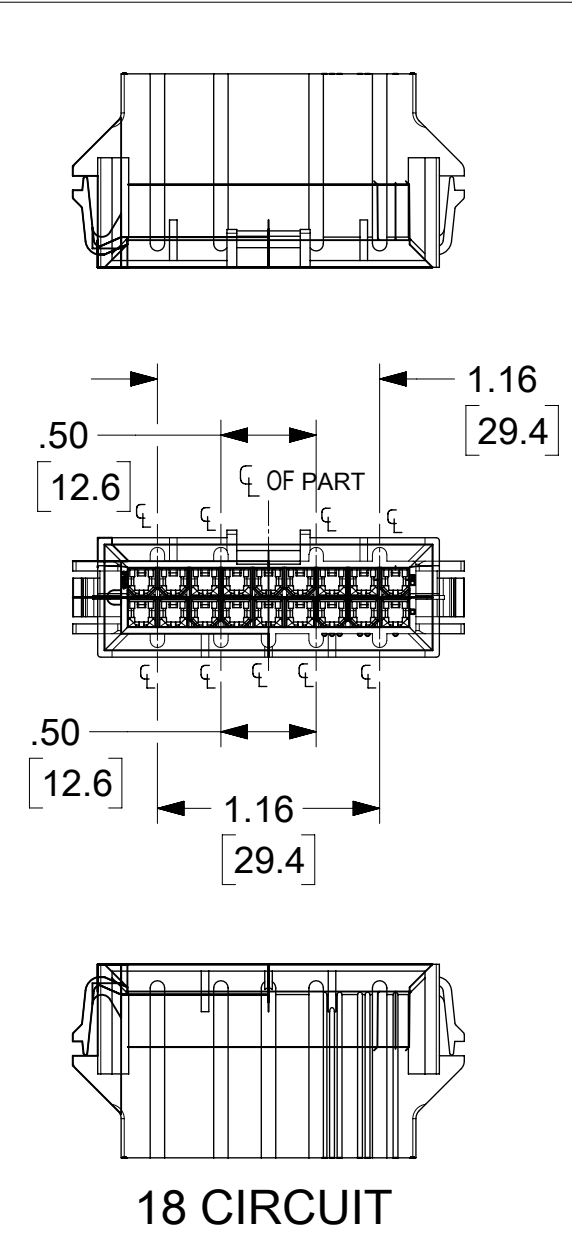
8 CIRCUIT



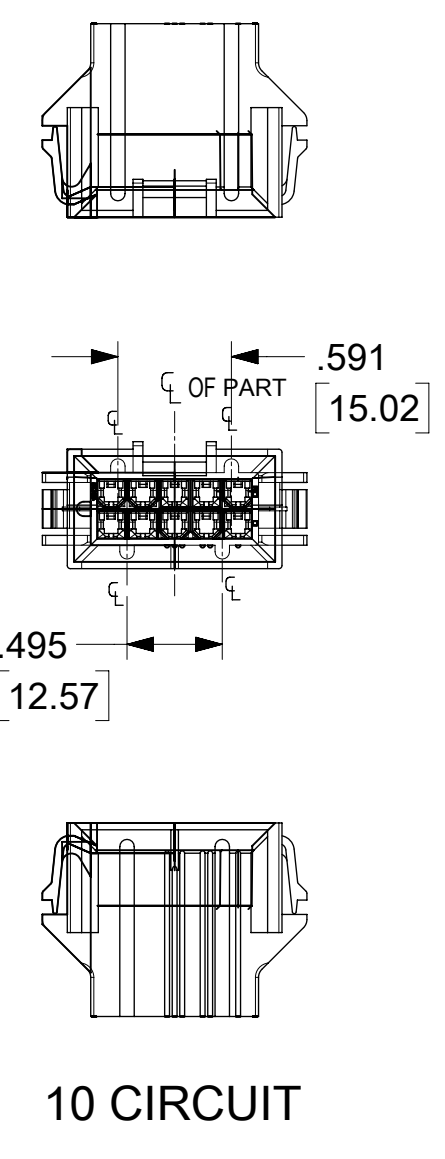
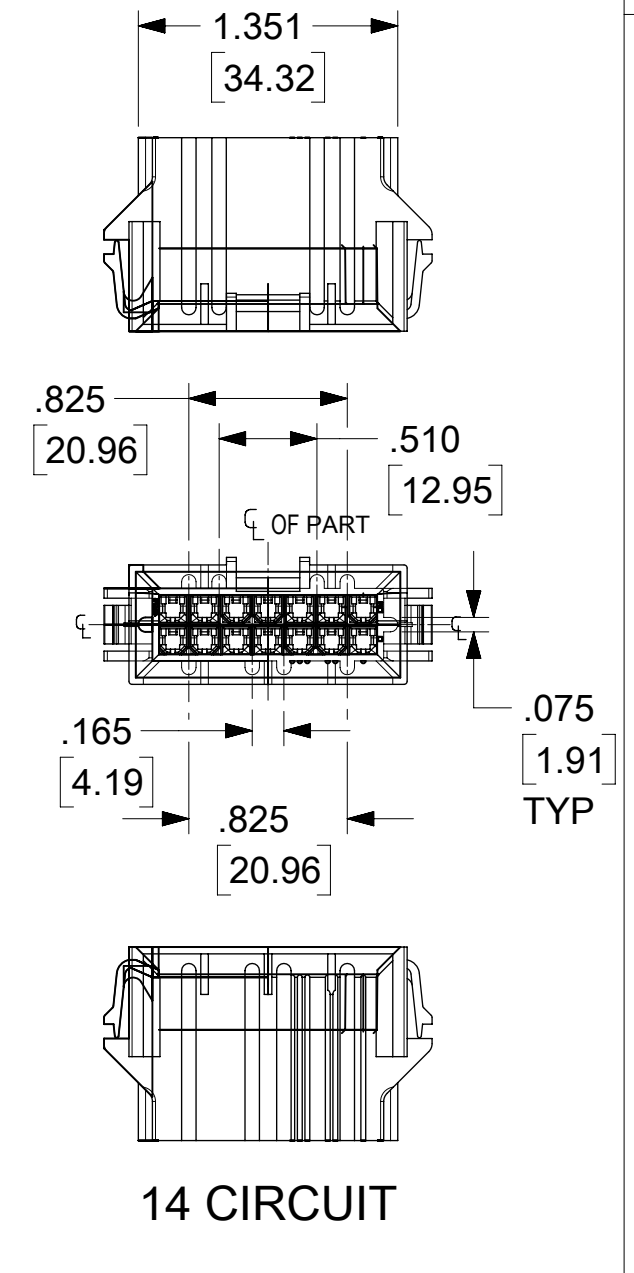
6 CIRCUIT



24 CIRCUIT



18 CIRCUIT



10 CIRCUIT

NOTES:
 1. DIMENSIONS GIVEN ACROSS CENTERLINES ARE SYMMETRICAL ABOUT THOSE CENTERLINES WITHIN HALF THE TOTAL TOLERANCE.

THIS DRAWING CONTAINS INFORMATION THAT IS PROPRIETARY TO MOLEX ELECTRONIC TECHNOLOGIES, LLC AND SHOULD NOT BE USED WITHOUT WRITTEN PERMISSION									
DIMENSION UNITS		SCALE		CURRENT REV DESC:					
IN/MM		2:1		EC NO: 690613					
GENERAL TOLERANCES (UNLESS SPECIFIED)				DRWN: HPAN18		2021/12/31			
4 PLACES		±		CHK'D: XQZHANG		2022/01/04			
3 PLACES		±		APPR: XQZHANG		2022/01/04			
2 PLACES		± 0.25		INITIAL REVISION:		1989/07/18			
1 PLACE		± 0.38		DRWN: GEP		2011/09/02			
0 PLACES		±		APPR: FSMITH		2011/09/02			
ANGULAR TOL		± 0.5 °		THIRD ANGLE PROJECTION		DRAWING		SERIES	
DRAFT WHERE APPLICABLE MUST REMAIN WITHIN DIMENSIONS				C-SIZE		42475		MATERIAL NUMBER	
				SEE SHEET 4		CUSTOMER		SHEET NUMBER	
				GENERAL MARKET		3 OF 4			



PLUG HOUSING B.M.I.
 2-24 CIRCUITS MINI-FIT SERIES

PRODUCT CUSTOMER DRAWING

DOCUMENT NUMBER	DOC TYPE	DOC PART	REVISION
SD-42475-XXX1	PSD	001	T3

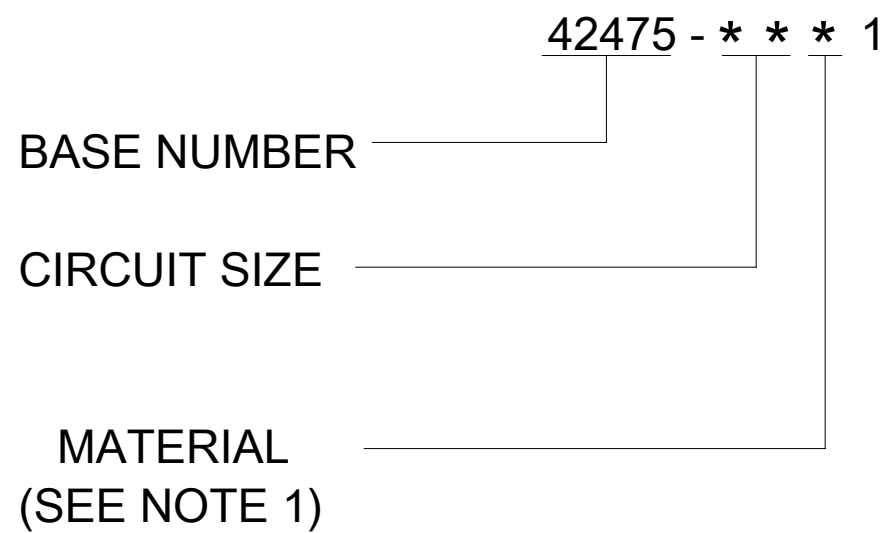
PART NUMBER	ENG. NUMBER	CKT SIZE	MATERIAL (SEE NOTE 1)
NOT TOOLED	42475-0211	2	1
15-06-0045	42475-0411	4	▲
15-06-0065	42475-0611	6	
15-06-0085	42475-0811	8	
15-06-0105	42475-1011	10	
NOT TOOLED	42475-1211	12	
15-06-0145	42475-1411	14	
NOT TOOLED	42475-1611	16	
15-06-0185	42475-1811	18	
O 15-06-0205	42475-2011	20	
NOT TOOLED	42475-2211	22	▼
15-06-0245	42475-2411	24	1
NOT TOOLED	42475-0221	2	2
15-06-0046	42475-0421	4	▲
15-06-0066	42475-0621	6	
50-36-2323	42475-0821	8	
15-06-0106	42475-1021	10	
NOT TOOLED	42475-1221	12	
15-06-0146	42475-1421	14	
NOT TOOLED	42475-1621	16	
15-06-0186	42475-1821	18	
O 15-06-0206	42475-2021	20	
NOT TOOLED	42475-2221	22	▼
15-06-0246	42475-2421	24	2
42475-1071	42475-1071	10	7

PART NUMBER	CKT SIZE	MATERIAL (SEE NOTE 1)
NOT TOOLED	2	3
42475-0431	4	▲
42475-0631	6	
42475-0831	8	
42475-1031	10	
NOT TOOLED	12	
42475-1431	14	
NOT TOOLED	16	
42475-1831	18	
O 42475-2031	20	
NOT TOOLED	22	▼
42475-2431	24	3
NOT TOOLED	2	4
42475-0441	4	▲
42475-0641	6	
42475-0841	8	
42475-1041	10	
NOT TOOLED	12	
42475-1441	14	
NOT TOOLED	16	
42475-1841	18	
O 42475-2041	20	
NOT TOOLED	22	▼
42475-2441	24	4

O = OBSOLETE

O = OBSOLETE

LEGEND:



THIS DRAWING CONTAINS INFORMATION THAT IS PROPRIETARY TO MOLEX ELECTRONIC TECHNOLOGIES, LLC AND SHOULD NOT BE USED WITHOUT WRITTEN PERMISSION									
DIMENSION UNITS		SCALE		CURRENT REV DESC:				molex	
IN/MM		1:1							
GENERAL TOLERANCES (UNLESS SPECIFIED)				EC NO: 690613				PLUG HOUSING B.M.I. 2-24 CIRCUITS MINI-FIT SERIES	
		MM		INCH		2021/12/31			
4 PLACES		±		±		DRWN: HPAN18		2022/01/04	
3 PLACES		±		± 0.01		CHK'D: XQZHANG		2022/01/04	
2 PLACES		± 0.25		± 0.015		APPR: XQZHANG		2022/01/04	
1 PLACE		± 0.38		±		INITIAL REVISION:			
0 PLACES		±		±		DRWN: GEP		1989/07/18	
ANGULAR TOL		± 0.5 °		±		APPR: FSMITH		2011/09/02	
DRAFT WHERE APPLICABLE MUST REMAIN WITHIN DIMENSIONS				THIRD ANGLE PROJECTION		DRAWING		SERIES	
						C-SIZE		42475	
DOCUMENT NUMBER		DOC TYPE		DOC PART		REVISION			
SD-42475-XXX1		PSD		001		T3			
MATERIAL NUMBER		CUSTOMER		SHEET NUMBER					
SEE SHEET 4		GENERAL MARKET		4 OF 4					