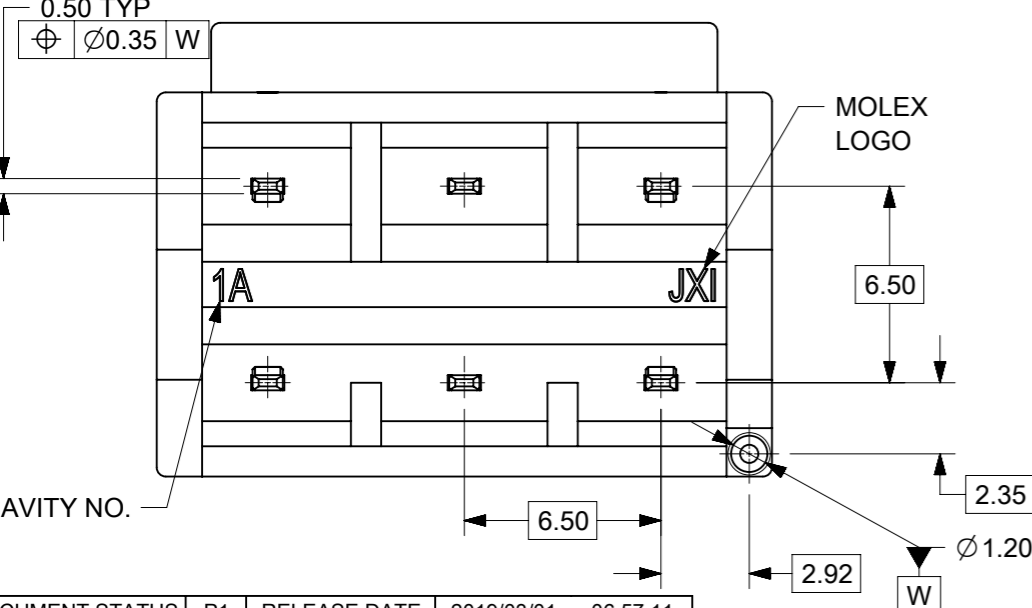
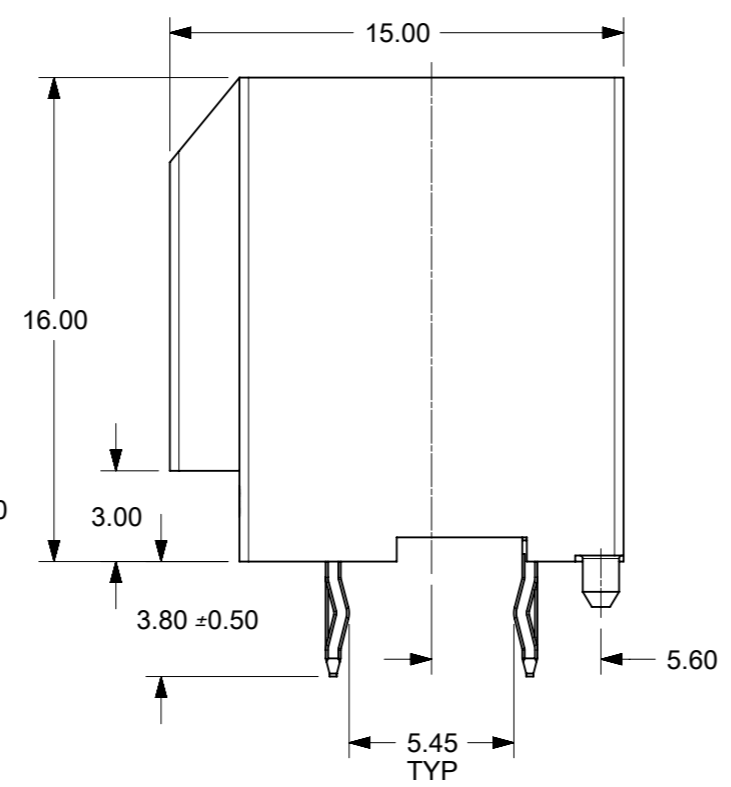
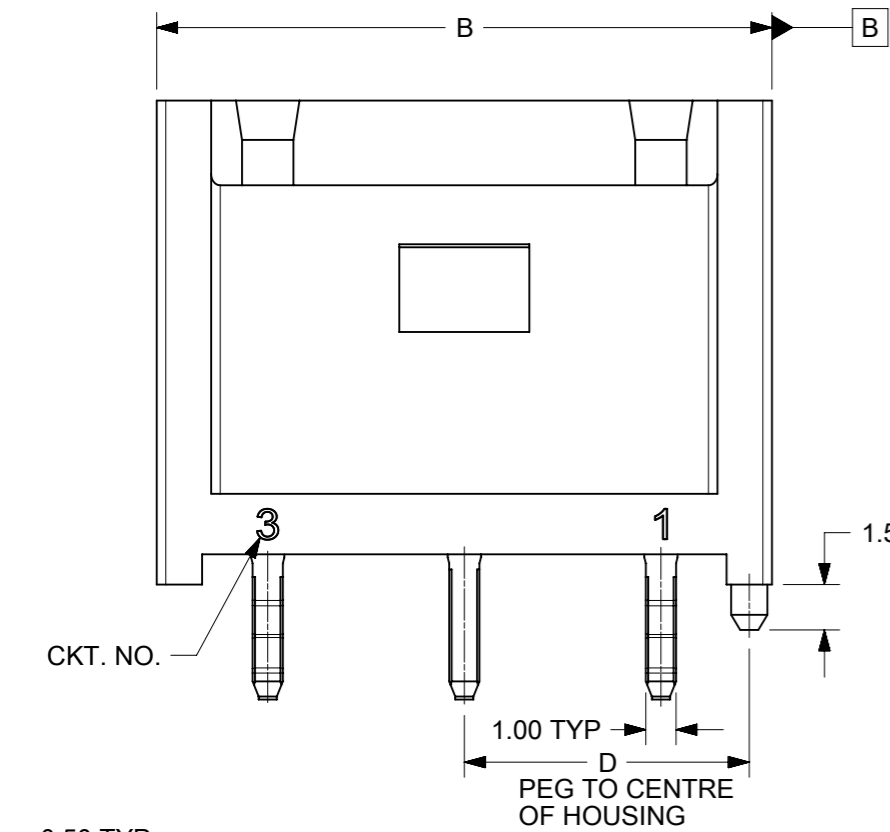


RECOMMENDED PCB BOARD HOLE DIMENSION  
(MOUNTING SIDE, THICKNESS: 1.60mm)

- NOTES:
- MATERIALS:  
HOUSING: POLYAMIDE(PA), GLASS FILLED, UL94-0  
TERMINAL: COPPER ALLOY
  - FINISHES:  
TERMINAL: 1.27µM MIN MATTE TIN OVER 1.27µM MIN NICKEL UNDERPLATE.
  - PRODUCT SPECIFICATION: PS-151048-0001
  - PACKAGING SPECIFICATION: REFER TO TABLE
  - REFER TO COSMETIC SPECIFICATION: PS-45499-002(CLASS B)
  - MATES WITH: 151049 SERIES



勝特力電材超市-龍山店 886-3-5773766  
 勝特力電材超市-光復店 886-3-5729570  
 勝特力电子(上海) 86-21-34970699  
 勝特力电子(深圳) 86-755-83298787  
<http://www.100y.com.tw>

2	-	7.34	7.34	2.92	REFER TO PAGE 2
4	6.50	13.84	10.74	6.17	REFER TO PAGE 3
6	13.00	20.34	16.74	9.42	REFER TO PAGE 4
CKT. NO.	A	B	C	D	MATERIAL PART NO.

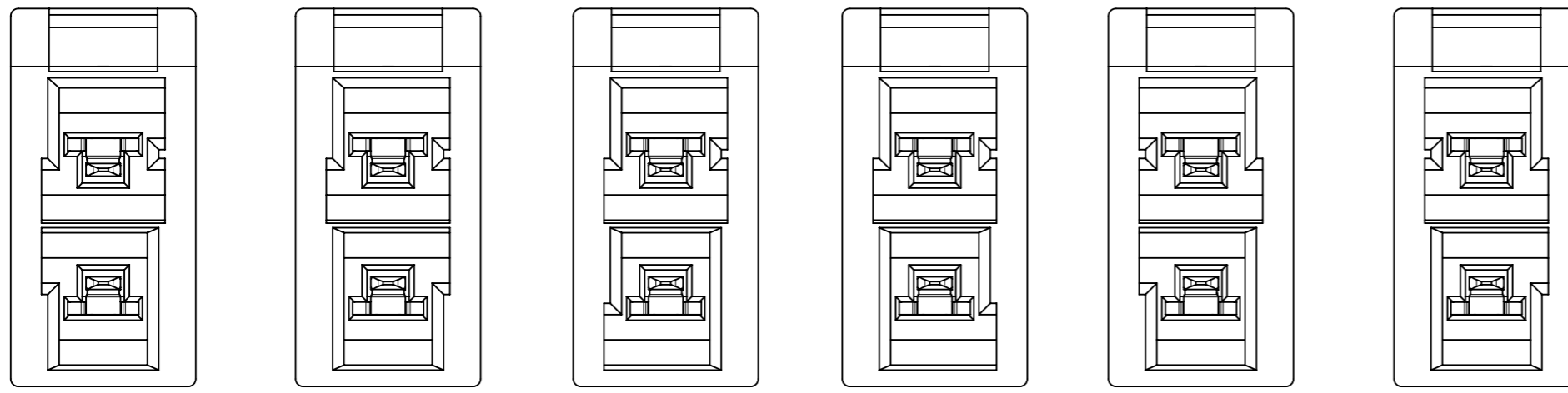
THIS DRAWING CONTAINS INFORMATION THAT IS PROPRIETARY TO MOLEX ELECTRONIC TECHNOLOGIES, LLC AND SHOULD NOT BE USED WITHOUT WRITTEN PERMISSION					
DIMENSION UNITS	SCALE	CURRENT REV DESC: P/N ADDED			
mm	4:1	<div style="text-align: center; font-size: 2em; font-weight: bold;">molex</div> <p>SALES DRAWING 6.5 HEADER ASSY WIRE TO BOARD CONNECTOR</p> <p>PRODUCT CUSTOMER DRAWING</p>			
GENERAL TOLERANCES (UNLESS SPECIFIED)					
ANGULAR TOL	± 3.0°				
4 PLACES	±				
3 PLACES	±				
2 PLACES	± 0.2	INITIAL REVISION:		DOCUMENT NUMBER	DOC TYPE
1 PLACE	±	DRWN: EANG 2014/03/13		SD-151048-0001	PSD
0 PLACES	±	APPR: KHLIM 2015/07/22		001	A2
DRAFT WHERE APPLICABLE MUST REMAIN WITHIN DIMENSIONS		THIRD ANGLE PROJECTION	DRAWING	SERIES	MATERIAL NUMBER
			A3-SIZE	151048	SEE TABLE
		CUSTOMER	SHEET NUMBER		
		GENERAL MARKET	1 OF 4		

HEADER ASSY WITH POLARIZATION FEATURES AND COLORS 2CKTS

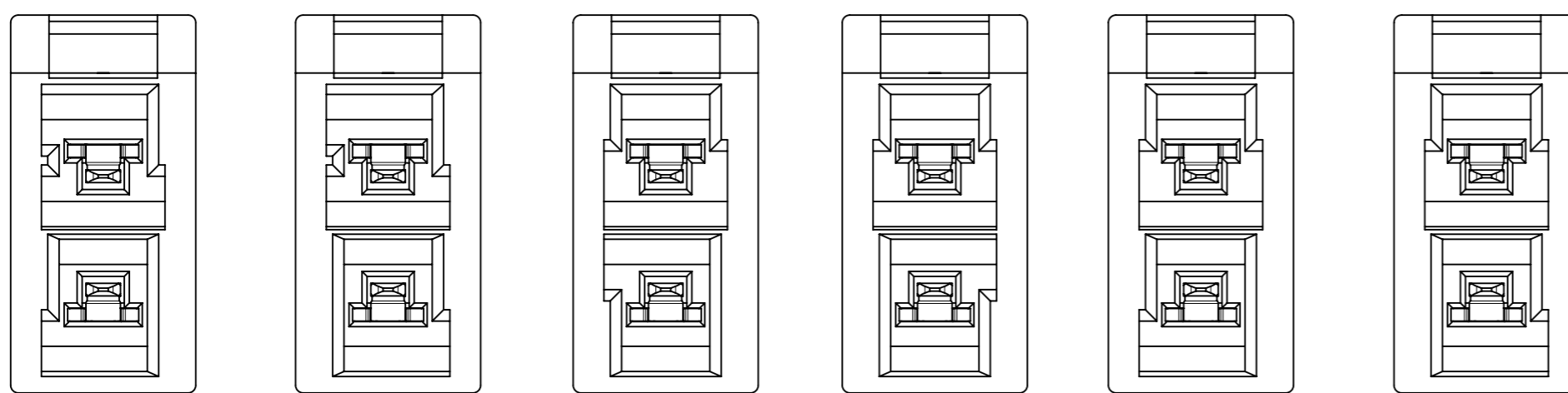
PART NO. LEGEND

151048- X X XX

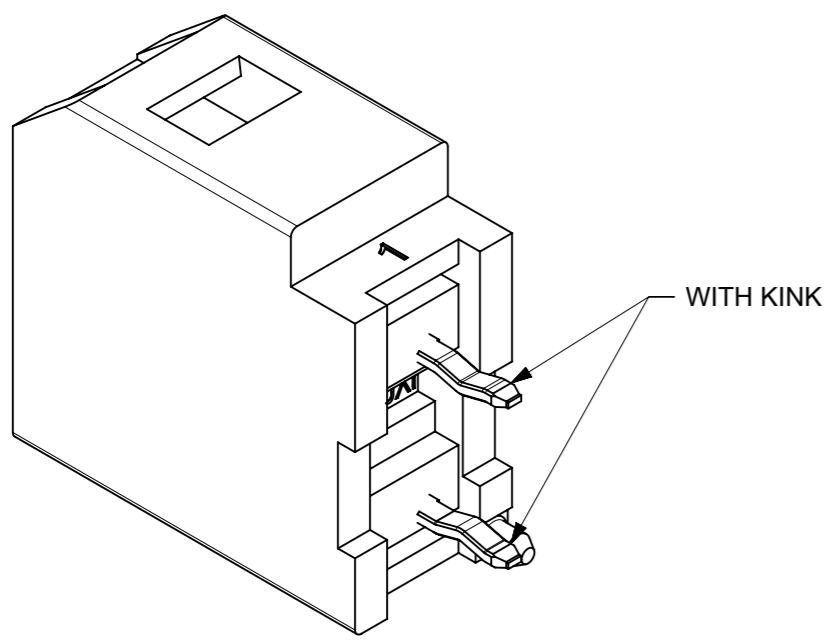
COLOR AND POLARIZATION  
CKT NO.  
PACKAGING (TRAY)  
AND OTHERS



① 151048\*200 ORANGE    ② 151048\*201 BLUE    ③ 151048\*202 GREY    ④ 151048\*203 YELLOW    ⑤ 151048\*204 PURPLE    ⑥ 151048\*205 PINK



⑦ 151048\*206 BLACK    ⑧ 151048\*207 GREEN    ⑨ 151048\*208 BROWN    ⑩ 151048\*209 RED    ⑪ 151048\*210 MINT    ⑫ 151048\*211 NATURAL(WHITE)



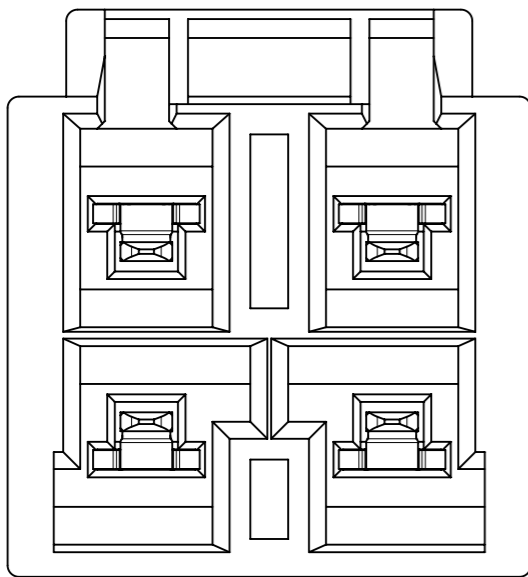
CONFIG	ASSEMBLY	COLOR	STANDARD COLOR	CUSTOM COLOR	PACKAGING
1	1510482200	ORANGE	*		PK-151048-0001 (TUBE)
2	1510482201	BLUE	*		
3	1510482202	GREY		*	
4	1510482203	YELLOW	*		
5	1510482204	PURPLE		*	
6	1510482205	PINK		*	
7	1510482206	BLACK	*		
8	1510482207	GREEN		*	
9	1510482208	BROWN		*	
10	1510482209	RED	*		
11	1510482210	MINT		*	
12	1510482211	NATURAL (WHITE)	*		

CONFIG	ASSEMBLY	COLOR	STANDARD COLOR	CUSTOM COLOR	PACKAGING
1	1510481200	ORANGE	*		PK-151048-0002 (TRAY)
2	1510481201	BLUE	*		
3	1510481202	GREY		*	
4	1510481203	YELLOW	*		
5	1510481204	PURPLE		*	
6	1510481205	PINK		*	
7	1510481206	BLACK	*		
8	1510481207	GREEN		*	
9	1510481208	BROWN		*	
10	1510481209	RED	*		
11	1510481210	MINT		*	
12	1510481211	NATURAL (WHITE)	*		

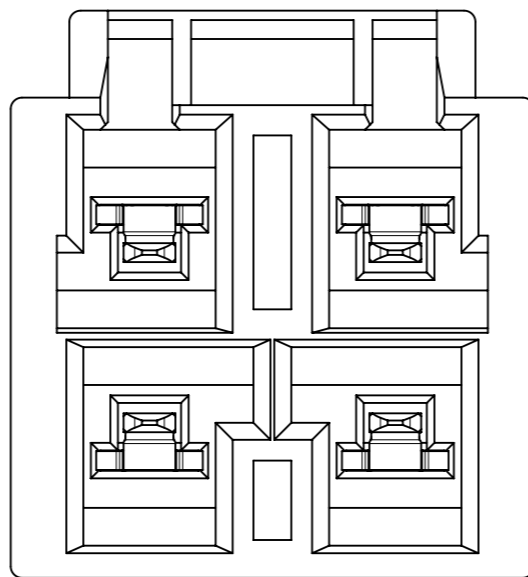
THIS DRAWING CONTAINS INFORMATION THAT IS PROPRIETARY TO MOLEX ELECTRONIC TECHNOLOGIES, LLC AND SHOULD NOT BE USED WITHOUT WRITTEN PERMISSION

DIMENSION UNITS <b>mm</b>	SCALE <b>4:1</b>	CURRENT REV DESC: P/N ADDED		<b>molex</b>		
GENERAL TOLERANCES (UNLESS SPECIFIED)		EC NO: 612829				
ANGULAR TOL ± 3.0°	4 PLACES ±	DRWN: SMAHAJANSHET	2019/02/27	6.5 HEADER ASSY WIRE TO BOARD CONNECTOR		
3 PLACES ±	2 PLACES ± 0.2	CHK'D: SMAHAJANSHET	2019/03/01	PRODUCT CUSTOMER DRAWING		
1 PLACE ±	1 PLACE ±	APPR: NCSR	2019/03/01	DOCUMENT NUMBER		
0 PLACES ±	INITIAL REVISION:	DRWN: EANG		SD-151048-0001		
DRAFT WHERE APPLICABLE MUST REMAIN WITHIN DIMENSIONS	THIRD ANGLE PROJECTION	APPR: KHLIM		DOC TYPE	DOC PART	REVISION
		DRAWING	SERIES	PSD	001	A2
		A3-SIZE	151048	CUSTOMER	GENERAL MARKET	
				MATERIAL NUMBER	SHEET NUMBER	
				SEE TABLE	2 OF 4	

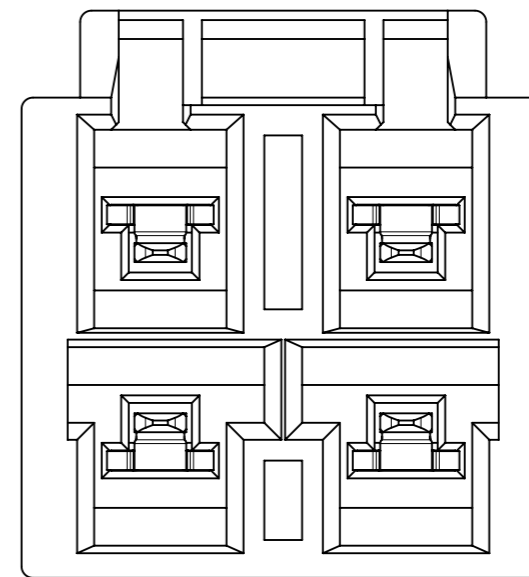
HEADER ASSY WITH POLARIZATION FEATURES AND COLORS 4CKTS



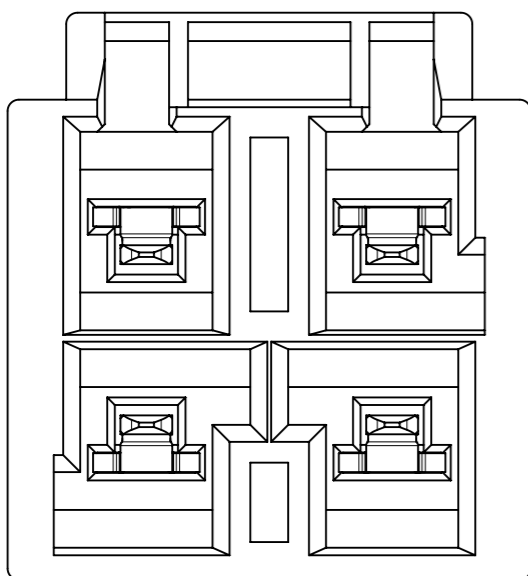
① 151048\*401  
BLUE



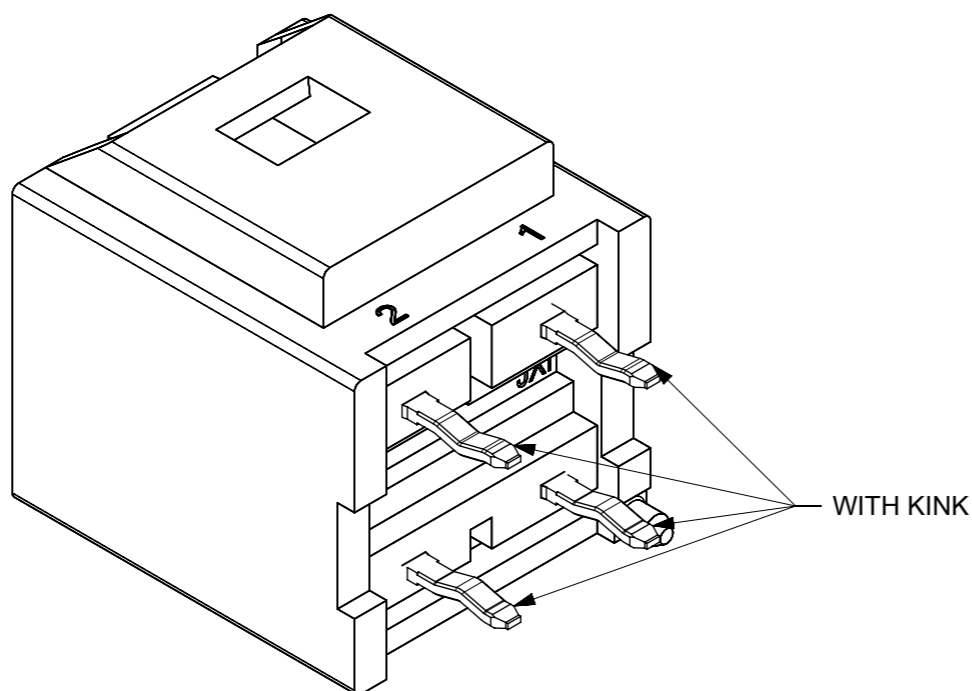
② 151048\*406  
BLACK



③ 151048\*411  
NATURAL(WHITE)



④ 151048\*409  
RED (A1)



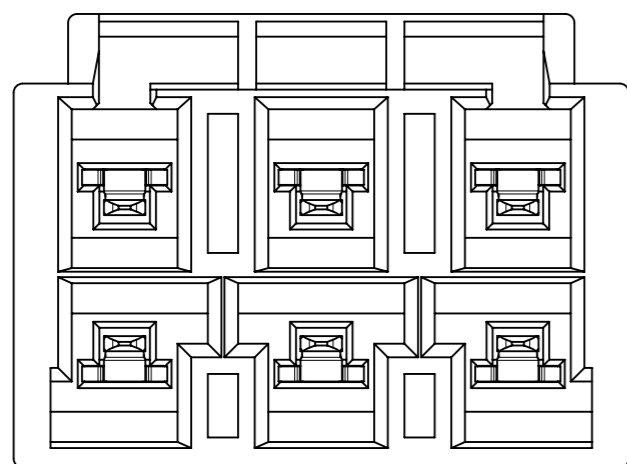
PART NO. LEGEND

151048- X X XX  
 └───┬───┬───  
 COLOR AND POLORIZARION  
 CKT NO.  
 PACKAGING (TRAY)  
 AND OTHERS

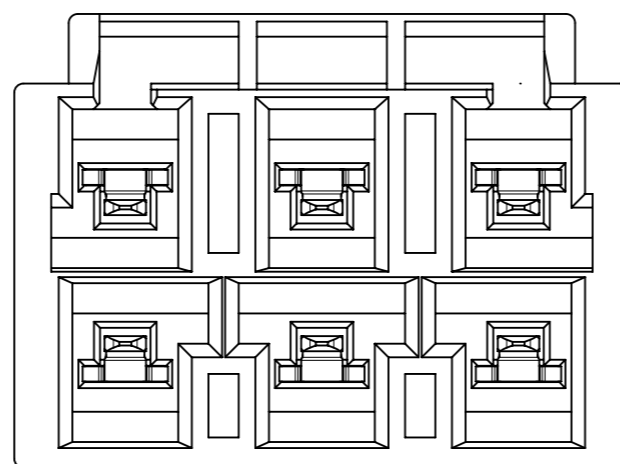
CONFIG	ASSEMBLY	COLOR	PACKAGING
1	1510481401	BLUE	PK-151048-0002
2	1510481406	BLACK	
3	1510481411	NATURAL (WHITE)	
4	1510481409	RED	

THIS DRAWING CONTAINS INFORMATION THAT IS PROPRIETARY TO MOLEX ELECTRONIC TECHNOLOGIES, LLC AND SHOULD NOT BE USED WITHOUT WRITTEN PERMISSION									
DIMENSION UNITS <b>mm</b>		SCALE <b>5:1</b>		CURRENT REV DESC: P/N ADDED					
GENERAL TOLERANCES (UNLESS SPECIFIED)				<b>molex</b> SALES DRAWING 6.5 HEADER ASSY WIRE TO BOARD CONNECTOR					
ANGULAR TOL ± 3.0°									
4 PLACES ±		EC NO: 612829		PRODUCT CUSTOMER DRAWING DOCUMENT NUMBER: <b>SD-151048-0001</b>   DOC TYPE: PSD   DOC PART: 001   REVISION: A2					
3 PLACES ±		DRWN: SMAHAJANSHET 2019/02/27							
2 PLACES ± 0.2		CHK'D: SMAHAJANSHET 2019/03/01		INITIAL REVISION: DRWN: EANG 2014/03/13 APPR: KHLIM 2015/07/22					
1 PLACE ±		APPR: NCSR 2019/03/01							
0 PLACES ±		DRAFT WHERE APPLICABLE MUST REMAIN WITHIN DIMENSIONS		THIRD ANGLE PROJECTION		DRAWING: <b>A3-SIZE</b>		SERIES: <b>151048</b>	
MATERIAL NUMBER: SEE TABLE		CUSTOMER: GENERAL MARKET		SHEET NUMBER: 3 OF 4					

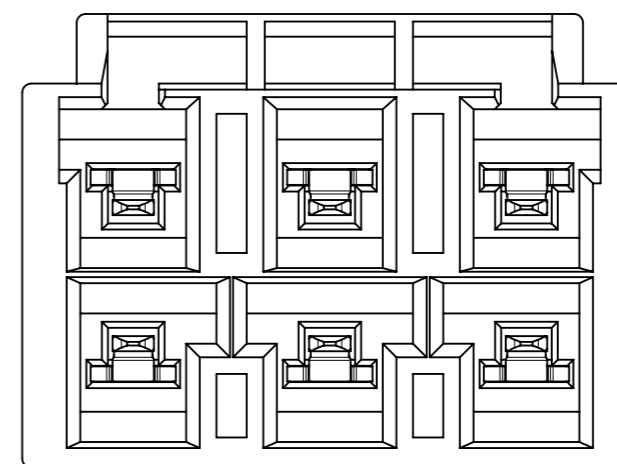
HEADER ASSY WITH POLARIZATION FEATURES AND COLORS 6CKTS



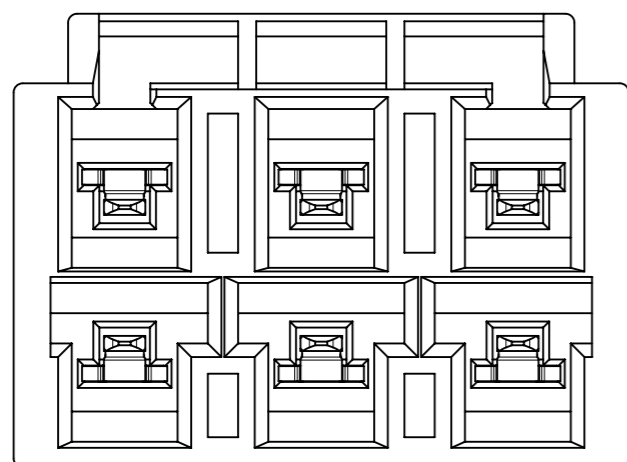
① 151048\*601  
BLUE



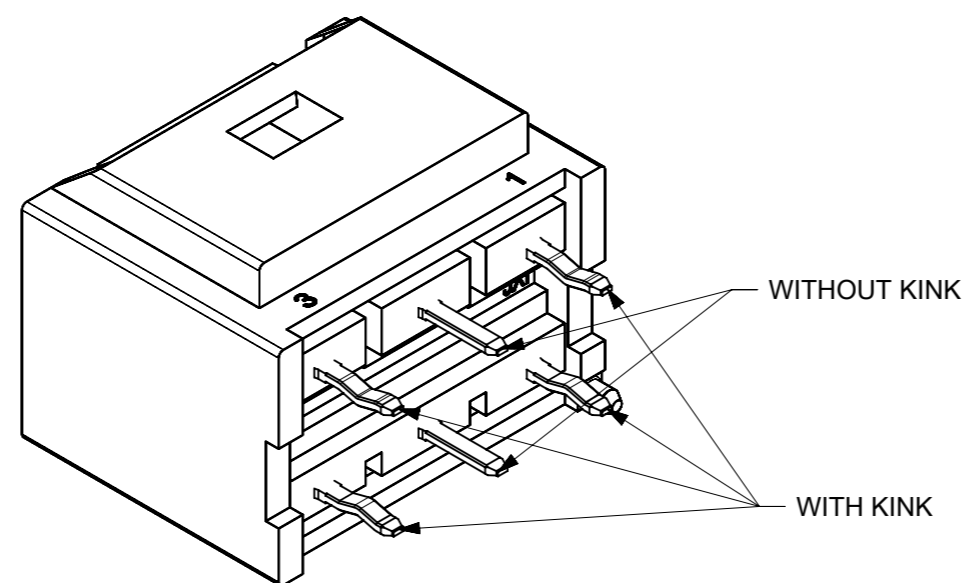
② 151048\*606  
BLACK



③ 151048\*609  
RED



④ 151048\*611  
NATURAL(WHITE)



PART NO. LEGEND

151048- X X XX

COLOR AND POLORIZARION  
CKT NO.  
PACKAGING (TRAY)  
AND OTHERS

CONFIG	ASSEMBLY	COLOR	PACKAGING
1	1510481601	BLUE	PK-151048-0002
2	1510481606	BLACK	
3	1510481609	RED	
4	1510481611	NATURAL (WHITE)	

THIS DRAWING CONTAINS INFORMATION THAT IS PROPRIETARY TO MOLEX ELECTRONIC TECHNOLOGIES, LLC AND SHOULD NOT BE USED WITHOUT WRITTEN PERMISSION									
DIMENSION UNITS <b>mm</b>		SCALE <b>4:1</b>		CURRENT REV DESC: P/N ADDED					
GENERAL TOLERANCES (UNLESS SPECIFIED)				<p>SALES DRAWING 6.5 HEADER ASSY WIRE TO BOARD CONNECTOR</p>					
ANGULAR TOL ± 3.0°									
4 PLACES ±		EC NO: 612829		<p>PRODUCT CUSTOMER DRAWING</p>					
3 PLACES ±		DRWN: SMAHAJANSHET 2019/02/27							
2 PLACES ± 0.2		CHK'D: SMAHAJANSHET 2019/03/01		<p>DOCUMENT NUMBER: SD-151048-0001</p> <p>DOC TYPE: PSD</p> <p>DOC PART: 001</p> <p>REVISION: A2</p>					
1 PLACE ±		APPR: NCSR 2019/03/01							
0 PLACES ±		INITIAL REVISION:		<p>MATERIAL NUMBER: SEE TABLE</p> <p>CUSTOMER: GENERAL MARKET</p> <p>SHEET NUMBER: 4 OF 4</p>					
DRAFT WHERE APPLICABLE MUST REMAIN WITHIN DIMENSIONS		DRWN: EANG 2014/03/13							
THIRD ANGLE PROJECTION		APPR: KHLIM 2015/07/22		DRAWING: A3-SIZE		SERIES: 151048		REVISION: A2	



产品编号 : [1510481207](#)

Product Description : CP-6.5 Header, 6.50mm Pitch, Dual Row, Vertical, Polarized, Positive Lock, Tray Packaging, Glow-Wire Capable, 2 Circuits, Green

系列号 : 151048

状态 : Active

Product Category : PCB Headers and Receptacles



---

## 文件和资源

### 图纸

[图纸 1510481207\\_sd.pdf](#)

[包装设计图 PK-151048-0002-001.pdf](#)

### 3D 模型和设计文件

[3D模型 1510481207\\_stp.zip](#)

[符号足迹数据 SYM-151048-1201-001.zip](#)

### 规格

[产品规格 PS-151048-0001-001.pdf](#)

[测试摘要 1510480001-TS-000.pdf](#)

---

## 产物环境合规

### 合规

GADSL/IMDS	Not Relevant
China RoHS	
EU ELV	Not Relevant
Low-Halogen Status	Not Low-Halogen per IEC 61249-2-21
REACH SVHC	Not Contained per D(2023)3788-DC (14 Jun 2023)
EU RoHS	Compliant per EU 2015/863

### 多部分产品合规性声明

- Eu RoHS
- REACH SVHC
- Low-Halogen

多部分行业合规性文件

- IPC 1752A Class C
- IPC 1752A Class D
- Molex Product Compliance Declaration
- IEC-62474
- chemSHERPA (xml)

欧盟 RoHS 合格证书

---

产品详情

常规

状态	活动
类别	PCB Headers and Receptacles
系列	151048
说明	CP-6.5 Header, 6.50mm Pitch, Dual Row, Vertical, Polarized, Positive Lock, Tray Packaging, Glow-Wire Capable, 2 Circuits, Green
应用	Power, Wire-to-Board
个评论	See Product Specification for maximum current rating by circuit size and wire AWG
元件类型	PCB Header
产品系列	CP Wire-to-Board and Wire-to-Wire Connector Systems
产品名称	CP-6.5
UPC	889056067140

机构

CSA	LR19980
UL	E29179

电气

每触点最大电流	10.0A
电压 - 最大	600V AC (RMS)/DC

物理

断开	否
----	---

回路数 (已载入)	2
电路数 (最多)	2
颜色-树脂	绿色
耐用性(插拔次数) - 最多次数	30
先接后断	否
阻燃性	94V-0
符合灼热丝规范	是
可配插产品指南	否
插接极性	是
锁定插接部位	是
材料 - 金属	Copper Alloy
材料 - 接合部位电镀	Matte Tin
材料 - 终端电镀	Matte Tin
材料 - 树脂	Polyamide
净重	1.725/g
行数	2
方向	垂直
包装形式	Tray
PC 焊脚长度	3.80mm
PCB 定位器	是
PCB 保持力	是
推荐的 PCB 厚度	1.60mm
间距 - 插配接口	6.50mm
最薄镀层 - 接合部位	1.270µm
最薄镀层 - 端接	1.270µm
有极性的插配件	是
PCB 极性	是
运行温度范围	-40° to +105° C
终端界面类型	Through Hole

## 进程

无铅	WAVE
----	------

可配插/可连接使用的产品

## 可配插部件

描述	产品编号
CP-6.5 Receptacle Housing, 6.50mm Pitch, Dual Row, Polarized, Positive Lock, 2 Circuits, Green	<u>1510492207</u>
CP-6.5 Receptacle Housing, Glow-Wire Capable, 6.50mm Pitch, Dual Row, 2 Circuits, Green	<u>1512072207</u>

---

This document was generated on Dec 11, 2023