



产品编号 : 1510481200

系列号 : 151048

Product Category : PCB Headers and Receptacles

Product Description : CP-6.5 Header, 6.50mm Pitch, Dual Row, Vertical, Polarized, Positive Lock, Tray Packaging, Glow-Wire Capable, 2 Circuits, Orange

状态 : Active

文件和资源

图纸

图纸 1510481200_sd.pdf

包装设计图 PK-151048-0002-001.pdf

3D 模型和设计文件

3D模型 1510481200_stp.zip

符号足迹数据 SYM-151048-1201-001.zip


规格

产品规格 PS-151048-0001-001.pdf

测试摘要 1510480001-TS-000.pdf

产物环境合规

合规

GADSL/IMDS	Not Relevant
China RoHS	
EU ELV	Not Relevant
Low-Halogen Status	Not Low-Halogen per IEC 61249-2-21
REACH SVHC	Not Contained per D(2023)8585-DC (23 Jan 2024)
EU RoHS	Compliant per EU 2015/863

多部分产品合规性声明

- Eu RoHS
- REACH SVHC
- Low-Halogen
- IPC 1752A Class C

- IPC 1752A Class D
- Molex Product Compliance Declaration
- IEC-62474
- chemSHERPA (xml)

欧盟 RoHS 合格证书

产品详情

常规

状态	活动
类别	PCB Headers and Receptacles
系列	151048
说明	CP-6.5 Header, 6.50mm Pitch, Dual Row, Vertical, Polarized, Positive Lock, Tray Packaging, Glow-Wire Capable, 2 Circuits, Orange
应用	Power, Wire-to-Board
评论	See Product Specification for maximum current rating by circuit size and wire AWG
元件类型	PCB Header
产品系列	CP Wire-to-Board and Wire-to-Wire Connector Systems
产品名称	CP-6.5
UPC	889056066877

机构

CSA	LR19980
UL	E29179

电气

每触点最大电流	10.0A
电压 - 最大	600V AC (RMS)/DC

物理

断开	否
回路数 (已载入)	2
电路数 (最多)	2

颜色-树脂	橙色
耐用性(插拔次数) - 最多次数	30
先接后断	否
阻燃性	94V-0
符合灼热丝规范	是
可配插产品指南	否
插接极性	是
锁定插接部位	是
材料 - 金属	Copper Alloy
材料 - 接合部位电镀	Matte Tin
材料 - 终端电镀	Matte Tin
材料 - 树脂	Polyamide
净重	1.725/g
行数	2
方向	垂直
包装形式	Tray
PC 焊脚长度	3.80mm
PCB 定位器	是
PCB 保持力	是
推荐的 PCB 厚度	1.60mm
间距 - 插配接口	6.50mm
最薄镀层 - 接合部位	1.270µm
最薄镀层 - 端接	1.270µm
有极性的插配件	是
PCB 极性	是
运行温度范围	-40° to +105° C
终端界面类型	Through Hole

进程

无铅	WAVE
----	------

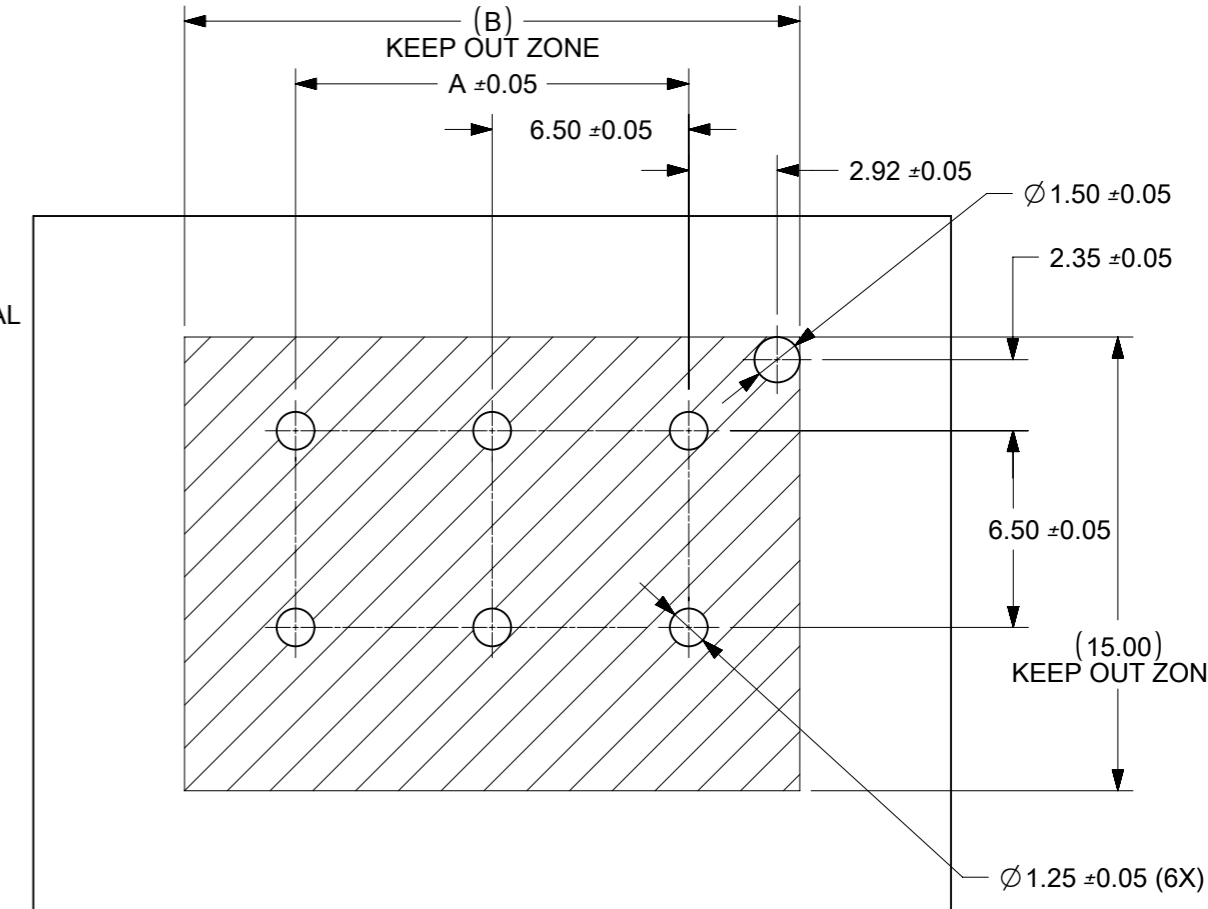
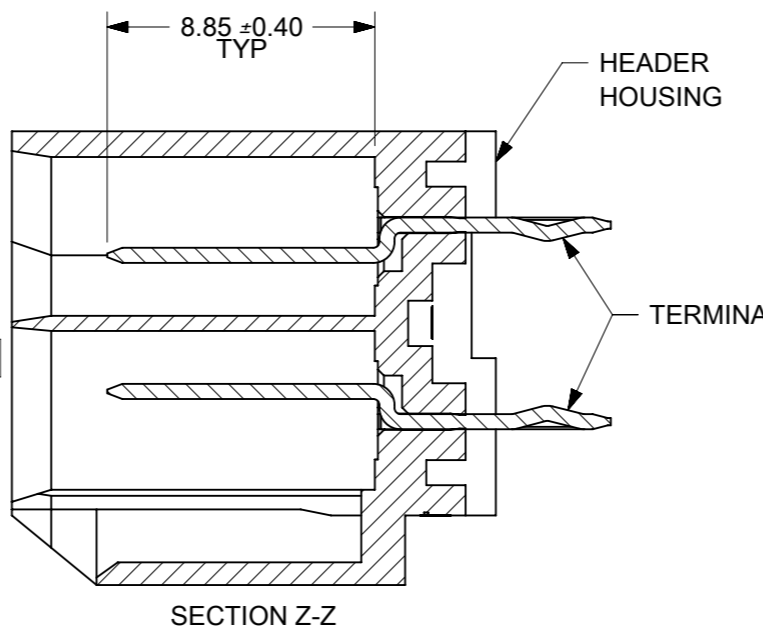
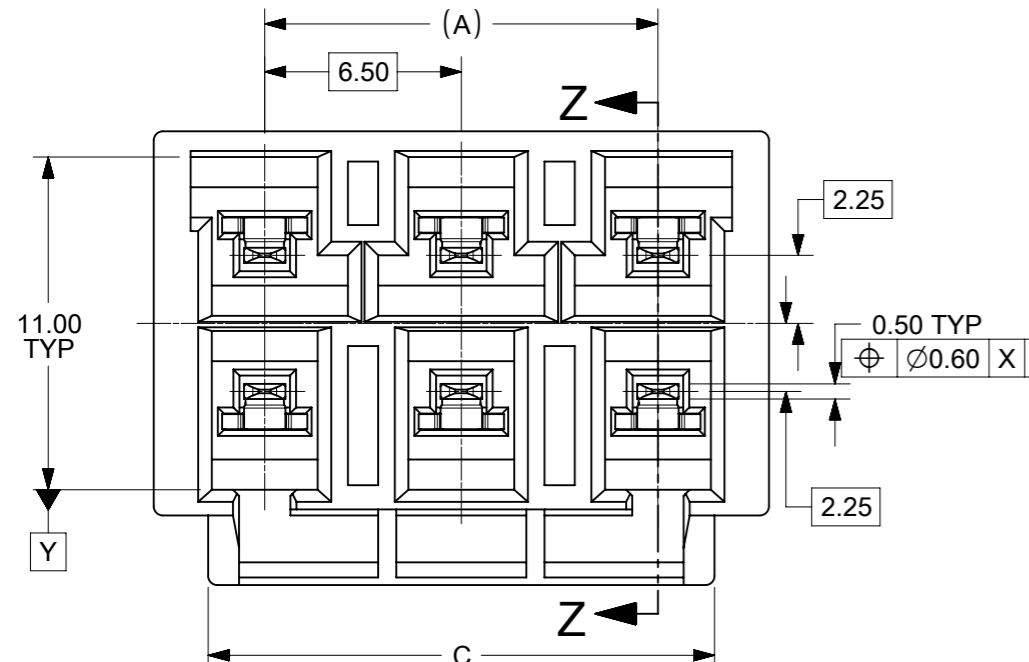
可配插/可连接使用的产品

可配插部件

描述	产品编号
----	------

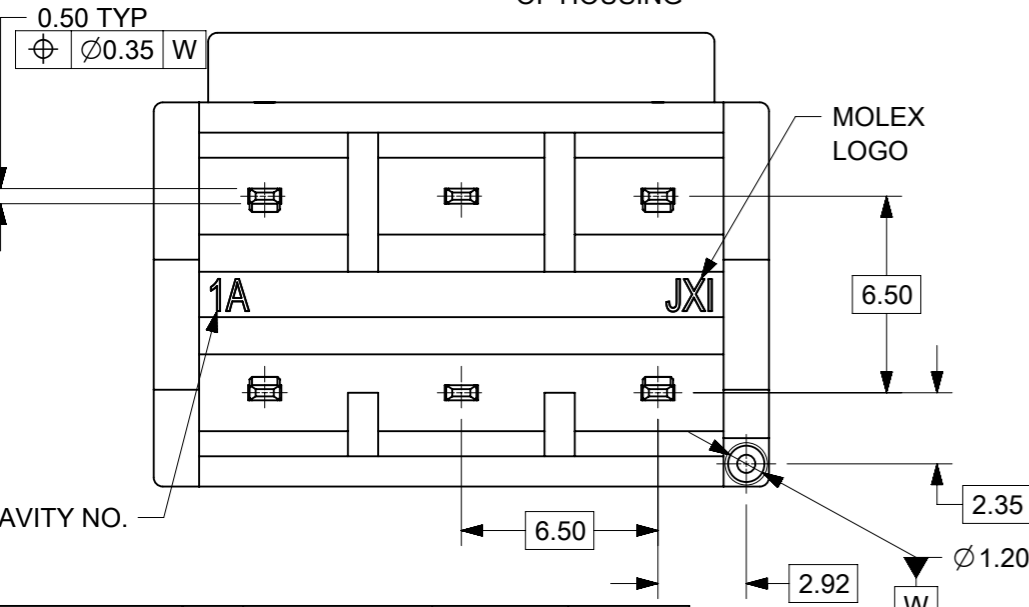
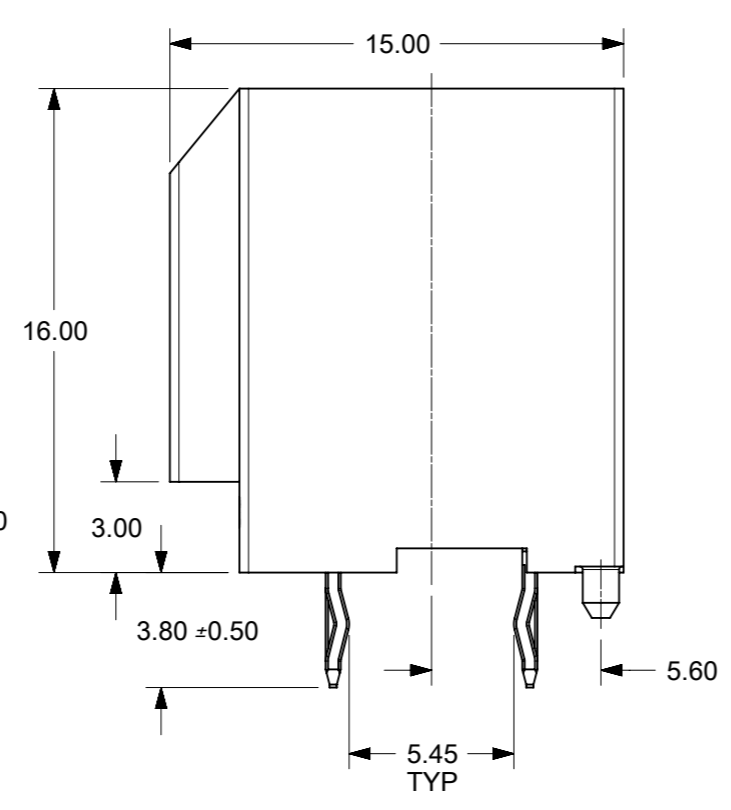
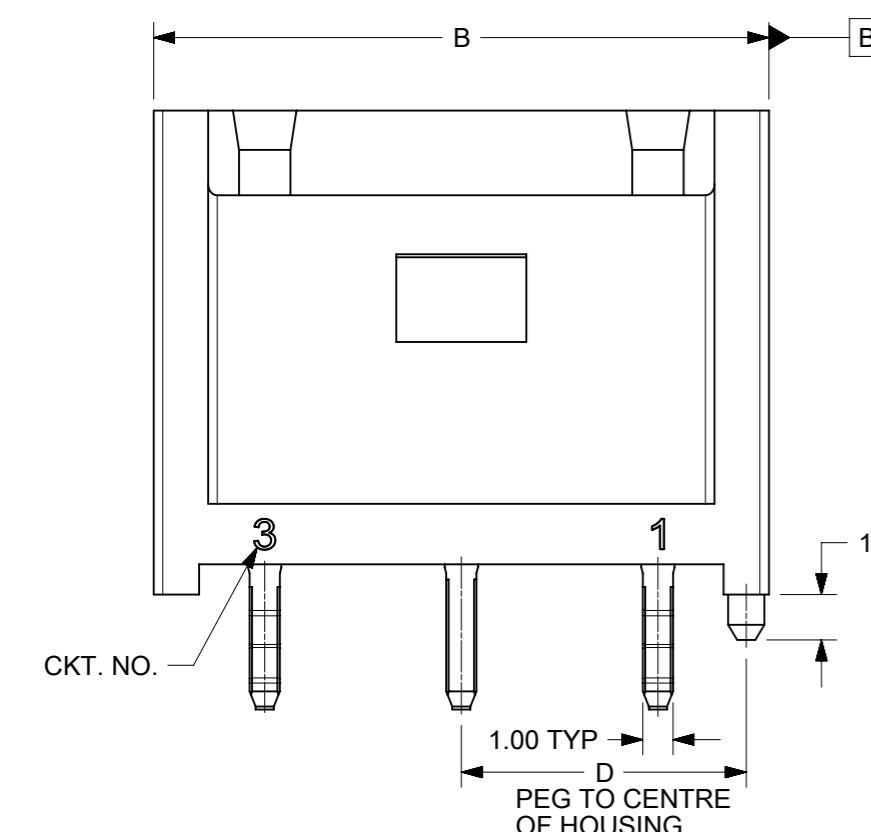
CP-6.5 Receptacle Housing, 6.50mm Pitch, Dual Row, Polarized, Positive Lock, 2 Circuits, Orange	<u>1510492200</u>
CP-6.5 Receptacle Housing, Glow-Wire Capable, 6.50mm Pitch, Dual Row, 2 Circuits, Orange	<u>1512072200</u>

This document was generated on Jun 03, 2024



RECOMMENDED PCB BOARD HOLE DIMENSION
(MOUNTING SIDE, THICKNESS: 1.60mm)

- NOTES:
- MATERIALS:
HOUSING: POLYAMIDE(PA), GLASS FILLED, UL94-0
TERMINAL: COPPER ALLOY
 - FINISHES:
TERMINAL: 1.27µM MIN MATTE TIN OVER 1.27µM MIN NICKEL UNDERPLATE.
 - PRODUCT SPECIFICATION: PS-151048-0001
 - PACKAGING SPECIFICATION: REFER TO TABLE
 - REFER TO COSMETIC SPECIFICATION: PS-45499-002(CLASS B)
 - MATES WITH: 151049 SERIES



2	-	7.34	7.34	2.92	REFER TO PAGE 2
4	6.50	13.84	10.74	6.17	REFER TO PAGE 3
6	13.00	20.34	16.74	9.42	REFER TO PAGE 4
CKT. NO.	A	B	C	D	MATERIAL PART NO.

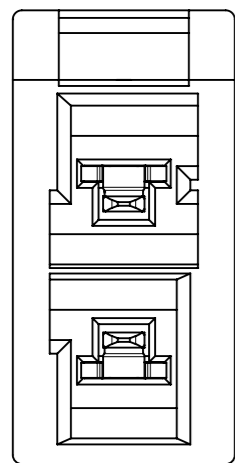
THIS DRAWING CONTAINS INFORMATION THAT IS PROPRIETARY TO MOLEX ELECTRONIC TECHNOLOGIES, LLC AND SHOULD NOT BE USED WITHOUT WRITTEN PERMISSION		CURRENT REV DESC: P/N ADDED			
DIMENSION UNITS	SCALE	EC NO: 612829			
mm	4:1	DRWN: SMAHAJANSHET 2019/02/27		6.5 HEADER ASSY WIRE TO BOARD CONNECTOR	
GENERAL TOLERANCES (UNLESS SPECIFIED)		CHK'D: SMAHAJANSHET 2019/03/01		PRODUCT CUSTOMER DRAWING	
ANGULAR TOL	± 3.0°	APPR: NCSR 2019/03/01		DOCUMENT NUMBER	
4 PLACES	±	INITIAL REVISION:		SD-151048-0001	
3 PLACES	±	DRWN: EANG 2014/03/13		DOC TYPE	
2 PLACES	± 0.2	APPR: KHLIM 2015/07/22		PSD	
1 PLACE	±	DRAFT WHERE APPLICABLE MUST REMAIN WITHIN DIMENSIONS		DOC PART	
0 PLACES	±	THIRD ANGLE PROJECTION		001	
		DRAWING		REVISION	
		A3-SIZE		A2	
		SERIES		MATERIAL NUMBER	
		151048		SEE TABLE	
		CUSTOMER		GENERAL MARKET	
				SHEET NUMBER	
				1 OF 4	

HEADER ASSY WITH POLARIZATION FEATURES AND COLORS 2CKTS

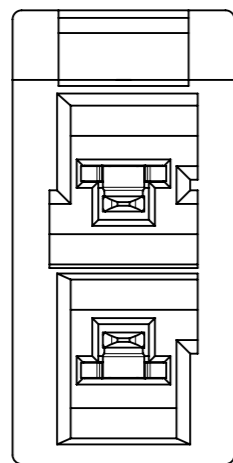
PART NO. LEGEND

151048- X X XX

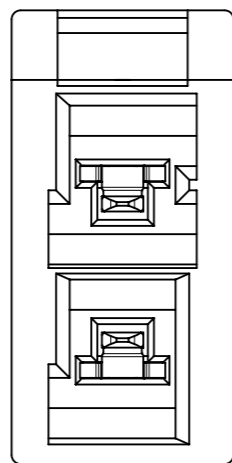
COLOR AND POLARIZATION
CKT NO.
PACKAGING (TRAY)
AND OTHERS



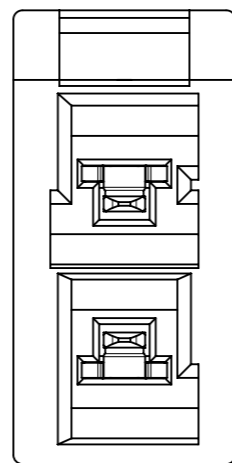
① 151048*200
ORANGE



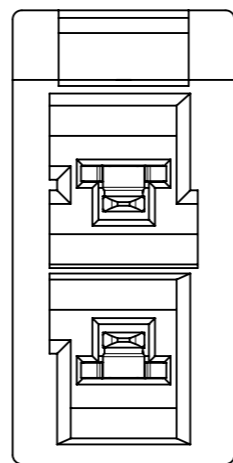
② 151048*201
BLUE



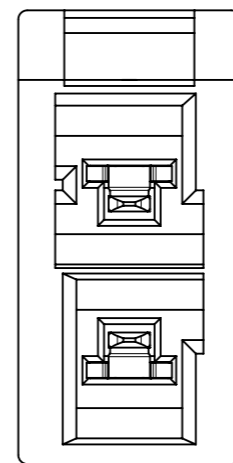
③ 151048*202
GREY



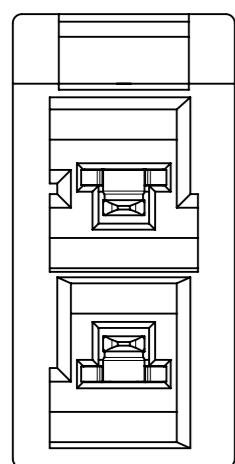
④ 151048*203
YELLOW



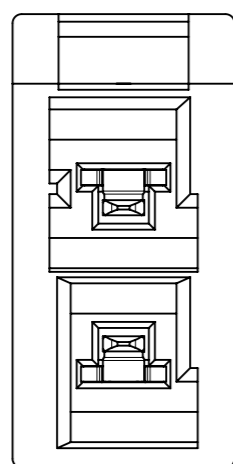
⑤ 151048*204
PURPLE



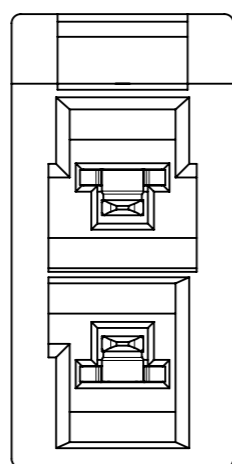
⑥ 151048*205
PINK



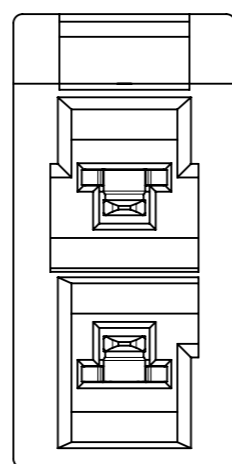
⑦ 151048*206
BLACK



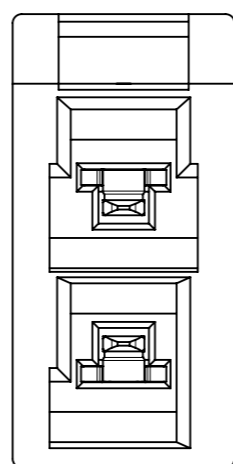
⑧ 151048*207
GREEN



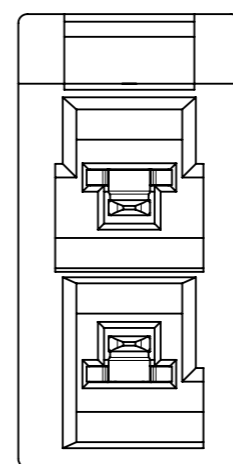
⑨ 151048*208
BROWN



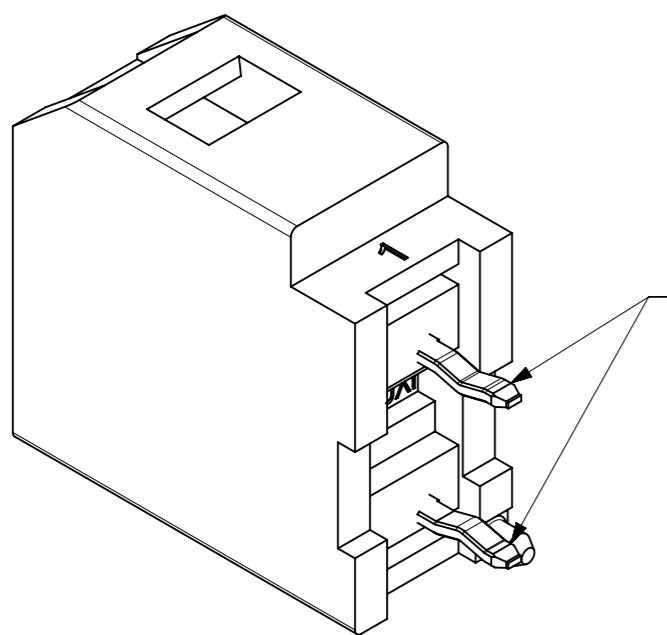
⑩ 151048*209
RED



⑪ 151048*210
MINT



⑫ 151048*211
NATURAL(WHITE)



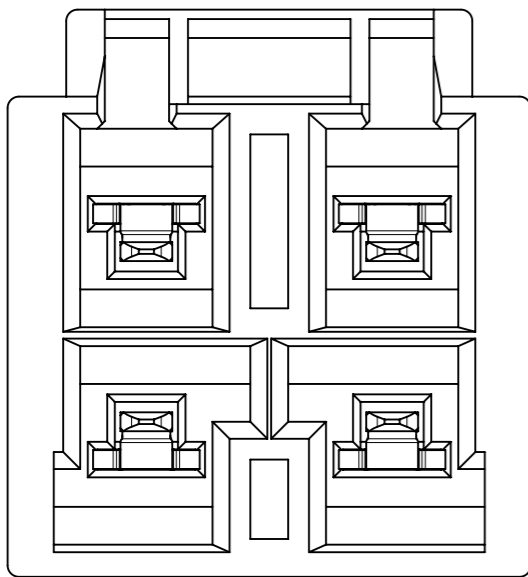
WITH KINK

CONFIG	ASSEMBLY	COLOR	STANDARD COLOR	CUSTOM COLOR	PACKAGING
1	1510482200	ORANGE	*		PK-151048-0001 (TUBE)
2	1510482201	BLUE	*		
3	1510482202	GREY		*	
4	1510482203	YELLOW	*		
5	1510482204	PURPLE		*	
6	1510482205	PINK		*	
7	1510482206	BLACK	*		
8	1510482207	GREEN		*	
9	1510482208	BROWN		*	
10	1510482209	RED	*		
11	1510482210	MINT		*	
12	1510482211	NATURAL (WHITE)	*		

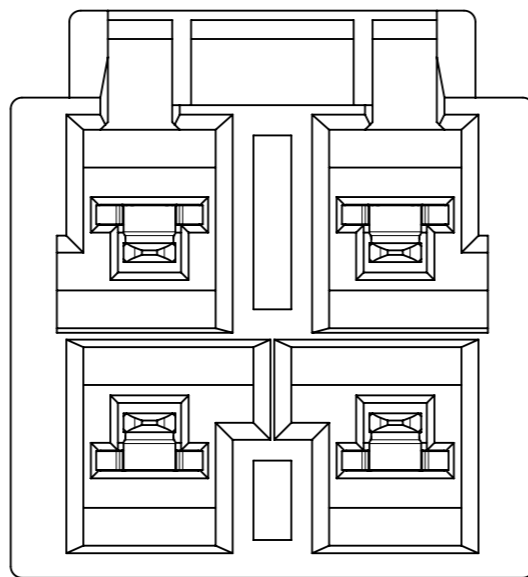
CONFIG	ASSEMBLY	COLOR	STANDARD COLOR	CUSTOM COLOR	PACKAGING
1	1510481200	ORANGE	*		PK-151048-0002 (TRAY)
2	1510481201	BLUE	*		
3	1510481202	GREY		*	
4	1510481203	YELLOW	*		
5	1510481204	PURPLE		*	
6	1510481205	PINK		*	
7	1510481206	BLACK	*		
8	1510481207	GREEN		*	
9	1510481208	BROWN		*	
10	1510481209	RED	*		
11	1510481210	MINT		*	
12	1510481211	NATURAL (WHITE)	*		

THIS DRAWING CONTAINS INFORMATION THAT IS PROPRIETARY TO MOLEX ELECTRONIC TECHNOLOGIES, LLC AND SHOULD NOT BE USED WITHOUT WRITTEN PERMISSION									
DIMENSION UNITS	SCALE	CURRENT REV DESC: P/N ADDED							
mm	4:1								
GENERAL TOLERANCES (UNLESS SPECIFIED)									
ANGULAR TOL	± 3.0°	SALES DRAWING							
4 PLACES	±	6.5 HEADER ASSY WIRE TO BOARD CONNECTOR							
3 PLACES	±	PRODUCT CUSTOMER DRAWING							
2 PLACES	± 0.2	DOCUMENT NUMBER							
1 PLACE	±	SD-151048-0001							
0 PLACES	±	DOC TYPE DOC PART REVISION							
DRAFT WHERE APPLICABLE MUST REMAIN WITHIN DIMENSIONS		THIRD ANGLE PROJECTION	DRAWING	SERIES	MATERIAL NUMBER	CUSTOMER		SHEET NUMBER	
			A3-SIZE	151048	SEE TABLE	GENERAL MARKET		2 OF 4	

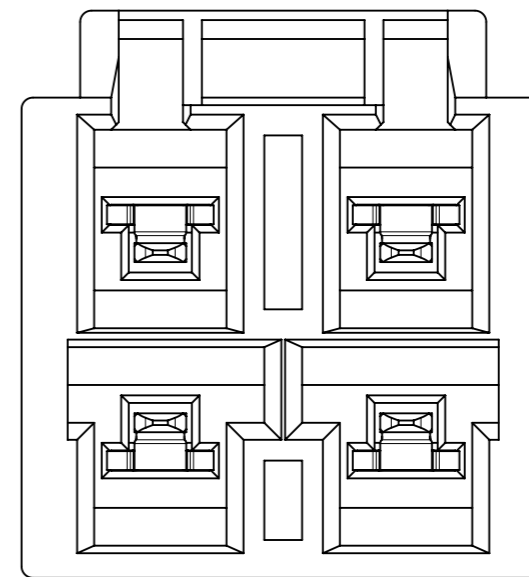
HEADER ASSY WITH POLARIZATION FEATURES AND COLORS 4CKTS



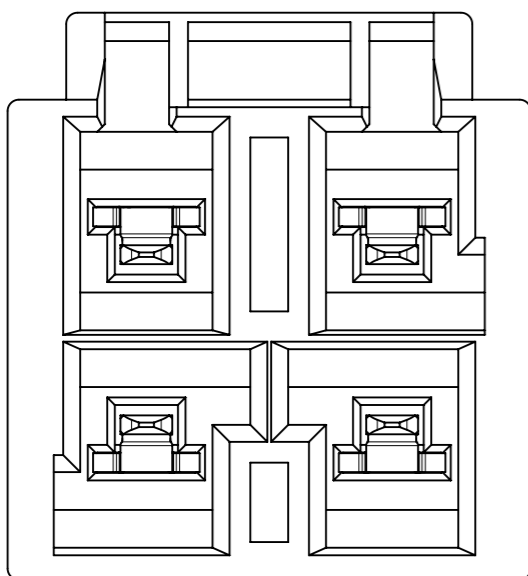
① 151048*401
BLUE



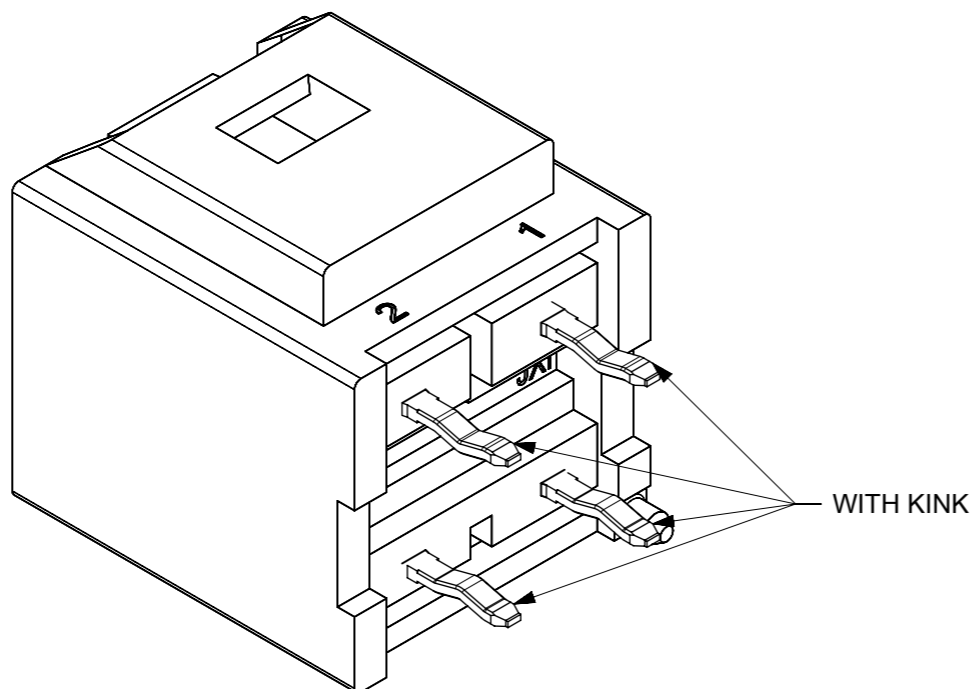
② 151048*406
BLACK



③ 151048*411
NATURAL(WHITE)



④ 151048*409
RED (A1)



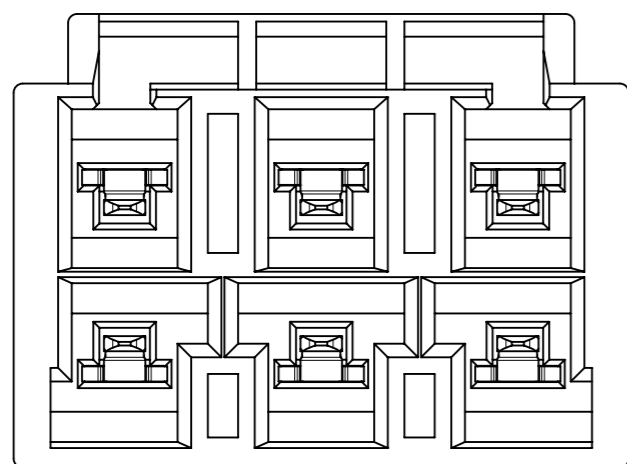
PART NO. LEGEND

151048- X X XX
 └───┬───┬───
 COLOR AND POLORIZARION
 CKT NO.
 PACKAGING (TRAY)
 AND OTHERS

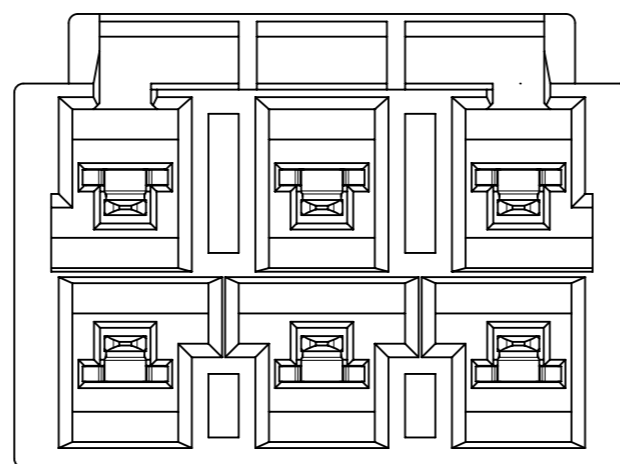
CONFIG	ASSEMBLY	COLOR	PACKAGING
1	1510481401	BLUE	PK-151048-0002
2	1510481406	BLACK	
3	1510481411	NATURAL (WHITE)	
4	1510481409	RED	

THIS DRAWING CONTAINS INFORMATION THAT IS PROPRIETARY TO MOLEX ELECTRONIC TECHNOLOGIES, LLC AND SHOULD NOT BE USED WITHOUT WRITTEN PERMISSION									
DIMENSION UNITS mm		SCALE 5:1		CURRENT REV DESC: P/N ADDED					
GENERAL TOLERANCES (UNLESS SPECIFIED)				molex					
ANGULAR TOL ± 3.0°									
4 PLACES ±		EC NO: 612829		SALES DRAWING 6.5 HEADER ASSY WIRE TO BOARD CONNECTOR					
3 PLACES ±		DRWN: SMAHAJANSHET 2019/02/27							
2 PLACES ± 0.2		CHK'D: SMAHAJANSHET 2019/03/01		PRODUCT CUSTOMER DRAWING					
1 PLACE ±		APPR: NCSR 2019/03/01							
0 PLACES ±		INITIAL REVISION:		DOCUMENT NUMBER SD-151048-0001					
DRAFT WHERE APPLICABLE MUST REMAIN WITHIN DIMENSIONS		DRWN: EANG 2014/03/13							
THIRD ANGLE PROJECTION		APPR: KHLIM 2015/07/22		DOC TYPE PSD		DOC PART 001		REVISION A2	
DRAWING A3-SIZE		SERIES 151048		MATERIAL NUMBER SEE TABLE		CUSTOMER GENERAL MARKET		SHEET NUMBER 3 OF 4	

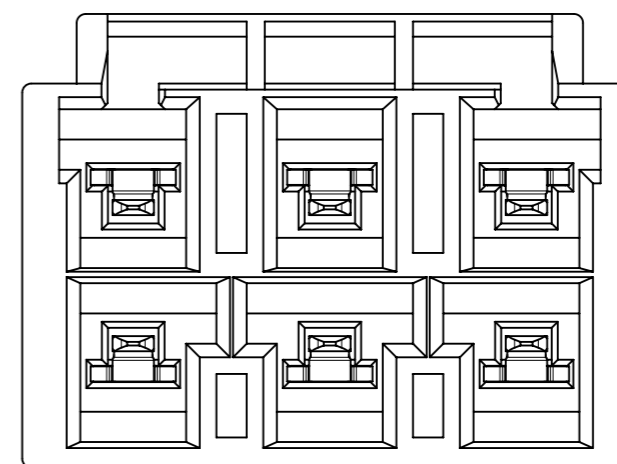
HEADER ASSY WITH POLARIZATION FEATURES AND COLORS 6CKTS



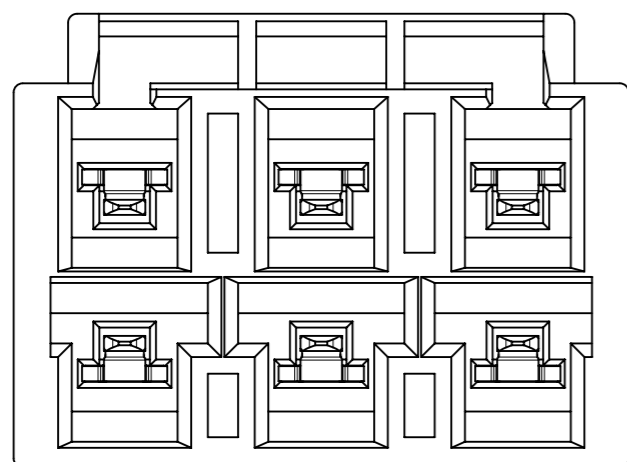
① 151048*601
BLUE



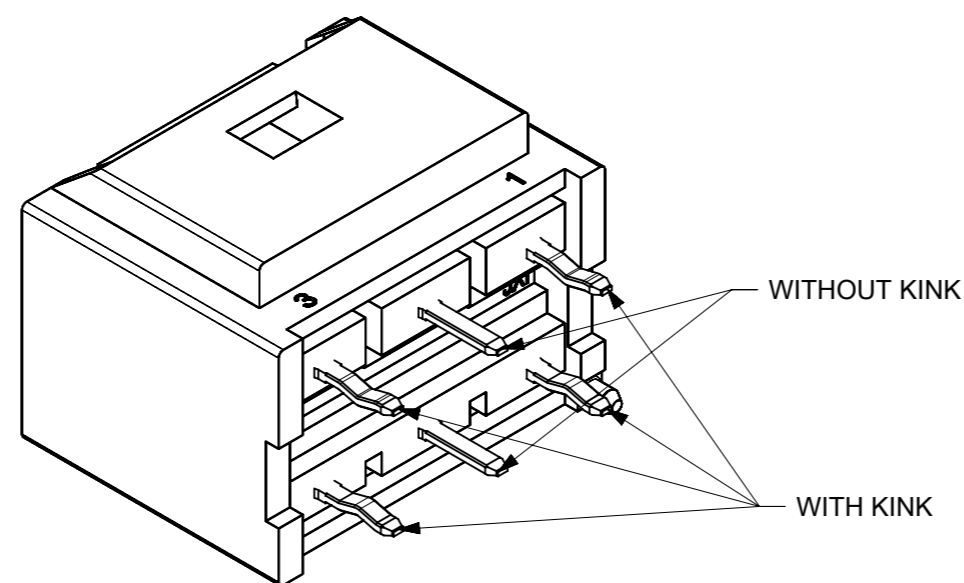
② 151048*606
BLACK



③ 151048*609
RED



④ 151048*611
NATURAL(WHITE)



PART NO. LEGEND

151048- X X XX

COLOR AND POLORIZARION
CKT NO.
PACKAGING (TRAY)
AND OTHERS

CONFIG	ASSEMBLY	COLOR	PACKAGING
1	1510481601	BLUE	PK-151048-0002
2	1510481606	BLACK	
3	1510481609	RED	
4	1510481611	NATURAL (WHITE)	

THIS DRAWING CONTAINS INFORMATION THAT IS PROPRIETARY TO MOLEX ELECTRONIC TECHNOLOGIES, LLC AND SHOULD NOT BE USED WITHOUT WRITTEN PERMISSION									
DIMENSION UNITS mm		SCALE 4:1		CURRENT REV DESC: P/N ADDED					
GENERAL TOLERANCES (UNLESS SPECIFIED)				<p>molex</p> <p>SALES DRAWING 6.5 HEADER ASSY WIRE TO BOARD CONNECTOR</p> <p>PRODUCT CUSTOMER DRAWING</p>					
ANGULAR TOL ± 3.0°		4 PLACES ±							
3 PLACES ±		2 PLACES ± 0.2		DRWN: SMAHAJANSHET		2019/03/01		DOC TYPE PSD	
1 PLACE ±		0 PLACES ±		CHK'D: SMAHAJANSHET		2019/03/01		DOC PART 001	
DRAFT WHERE APPLICABLE MUST REMAIN WITHIN DIMENSIONS		THIRD ANGLE PROJECTION		APPR: NCSR		2019/03/01		REVISION A2	
				INITIAL REVISION:		DRWN: EANG		SERIES 151048	
				APPR: KHLIM		2014/03/13		MATERIAL NUMBER SEE TABLE	
						2015/07/22		CUSTOMER GENERAL MARKET	
						DRAWING A3-SIZE		SHEET NUMBER 4 OF 4	