

产品编号 : 15249147

Product Description : Mini-Fit BMI Header, Dual Row, Right-Angle, with Snap-in Plastic Peg PCB Lock, 14 Circuits, PA Polyamide Nylon 6/6, UL 94V-2, with Select Gold (Au) Plating

系列号 : 42404

状态 : Active

Product Category : PCB Headers and Receptacles

工程编号 : 42404-14A5



文件和资源

图纸

图纸 015249147_sd.pdf

包装设计图 PK-42404-002-001.pdf

3D 模型和设计文件

3D模型 015249147_stp.zip

符号足迹数据 SYM-A42404-14XX-001.zip

规格

应用规格 424040001-AS-000.pdf

产品规格 PS-45750-001-001.pdf

产品规格 55560002-PS-ES-000.pdf

产品规格 PS-5556-002-001.pdf

产品规格 55560002-PS-CH-000.pdf


产品规格 55560002-PS-SK-000.pdf

测试摘要 TS-42404-001-001.pdf

测试摘要 TS-5556-002-001.pdf

产物环境合规

合规

GADSL/IMDS	Not Relevant
China RoHS	
EU ELV	Not Relevant
Low-Halogen Status	Low-Halogen per IEC 61249-2-21
REACH SVHC	Not Contained per D(2023)3788-DC (14 Jun 2023)

EU RoHS	Compliant per EU 2015/863
---------	---------------------------

多部分产品合规性声明

- Eu RoHS
- REACH SVHC
- Low-Halogen

多部分行业合规性文件

- IPC 1752A Class C
- IPC 1752A Class D
- Molex Product Compliance Declaration
- IEC-62474
- chemSHERPA (xml)

欧盟 RoHS 合格证书

产品详情

常规

状态	活动
类别	PCB Headers and Receptacles
系列	42404
说明	Mini-Fit BMI Header, Dual Row, Right-Angle, with Snap-in Plastic Peg PCB Lock, 14 Circuits, PA Polyamide Nylon 6/6, UL 94V-2, with Select Gold (Au) Plating
应用	Board-to-Board, Power, Wire-to-Board
个评论	Current = 13A max. per circuit when header is mated to a receptacle loaded with 45750 Mini-Fit Plus HCS Crimp Terminal Crimped to 16 AWG wire. See Molex product specification PS-45750-001 for additional current derating information.
元件类型	PCB Header
产品系列	Mini-Fit Family Power Connectors
产品名称	Mini-Fit BMI
UPC	822350294973

机构

CSA	LR19980
UL	E29179

电气

每触点最大电流	13.0A
电压 - 最大	600V

物理

断开	否
回路数 (已载入)	14
电路数 (最多)	14
颜色-树脂	Natural
耐用性(插拔次数) - 最多次数	30
阻燃性	94V-2
符合灼热丝规范	否
可配插产品指南	是
锁定插接部位	是
材料 - 金属	Brass
材料 - 接合部位电镀	金牌
材料 - 终端电镀	Tin
材料 - 树脂	Nylon
净重	5.510/g
行数	2
方向	Right Angle
包装形式	Tray
PC 焊脚长度	3.30mm
PCB 定位器	是
PCB 保持力	是
推荐的 PCB 厚度	1.80mm
间距 - 插配接口	4.20mm
最薄镀层 - 接合部位	0.762µm
最薄镀层 - 端接	2.540µm
有极性的插配件	是
PCB 极性	是
有护墙的	Partial
可堆叠的	否
运行温度范围	-40° to +105° C

终端界面类型	Through Hole
--------	--------------

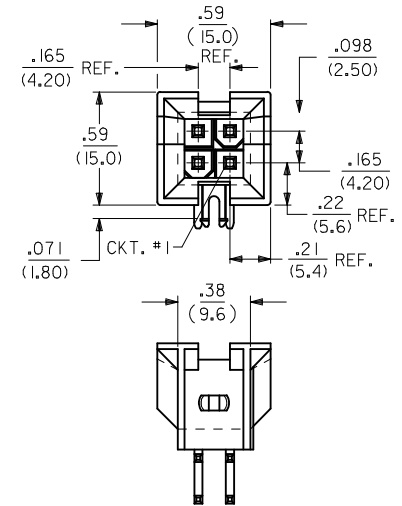
进程

最长持续时间	5
无铅	WAVE
最大周期	1
最高温度	240

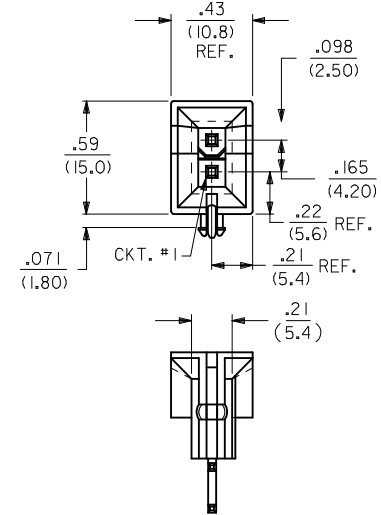
可配插/可连接使用的产品

可配插部件

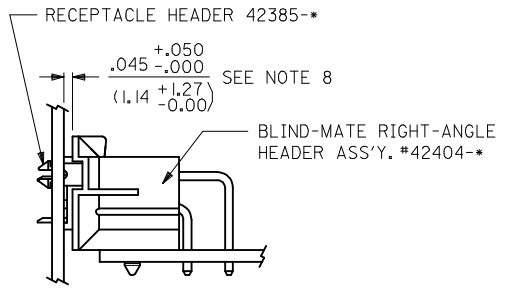
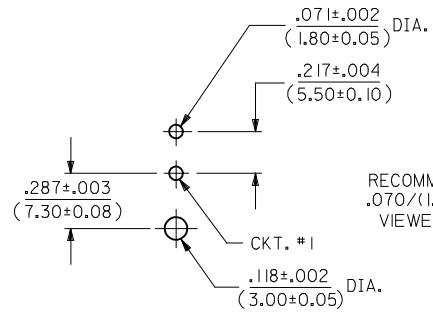
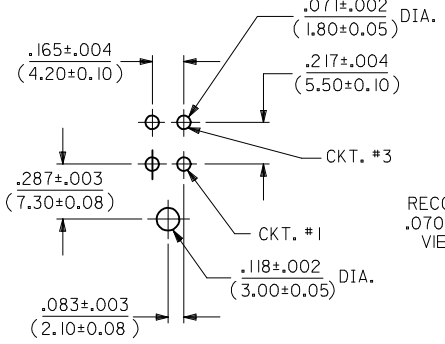
描述	产品编号
Mini-Fit BMI Receptacle Housing, 4.20mm Pitch, Dual Row with Panel Mount Ears, PA Polyamide Nylon 6/6, UL 94V-2, 14 Circuits	<u>0015060140</u>
Mini-Fit BMI Receptacle Header, 4.20mm Pitch, Dual Row, Vertical, with Snap-In Plastic Pegs, 0.80µm Gold (Au), UL 94V-2, 14 Circuits	<u>0015247142</u>
Mini-Fit Jr. Receptacle Housing, Dual Row, 14 Circuits, UL 94V-2, Natural	<u>0039012140</u>



A-42404-04**



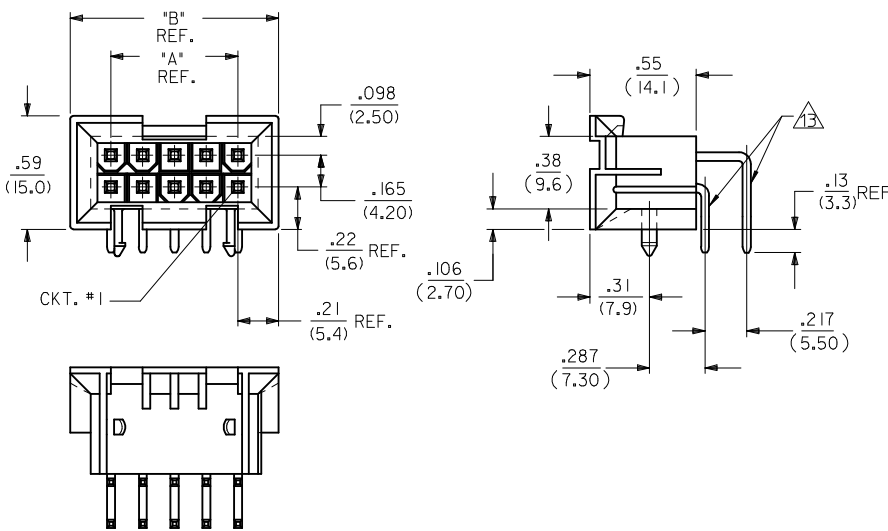
A-42404-02**



SEE RECEPTACLE DRAWINGS FOR ADDITIONAL MATING CONFIGURATIONS

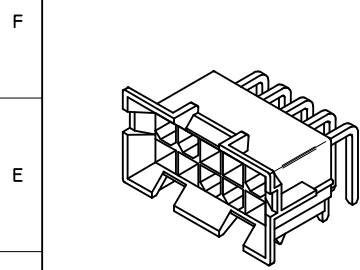
SEE SHEET 1 EC NO: UCP2017-0438 DRAWN:CLAFTER 2016/08/23 CHKD:JBELL 2016/08/23 APPR:FSMITH 2016/09/21	QUALITY SYMBOLS	GENERAL TOLERANCES (UNLESS SPECIFIED)	DIMENSION STYLE	SCALE	DESIGN UNITS	THIRD ANGLE PROJECTION
	▽=0	mm INCH	IN/MM	2:1	METRIC	
	▽=0	4 PLACES ± --- ± ---	DRAWN BY DATE	TITLE		
	▽=0	3 PLACES ± --- ± .010	RWK 2/7/89	MINI-FIT JR. 2-24 CKT RIGHT ANGLE HEADER ASSY (BLIND MATE)		
	2 PLACES ± 0.25 ± .015	CHECKED BY DATE	MOLEX INCORPORATED			
	1 PLACE ± 0.38 ± ---	RJF 2/7/89	MATERIAL NO. DOCUMENT NO.			
	ANGULAR ±1/2°	APPROVED BY DATE	SEE SHEET 3			
		FSMITH 2011/11/01	SDA-42404-****			
			SHEET NO. 2 OF 3			
			THIS DRAWING CONTAINS INFORMATION THAT IS PROPRIETARY TO MOLEX INCORPORATED AND SHOULD NOT BE USED WITHOUT WRITTEN PERMISSION			

CIRCUIT SIZE	DIM. "A"	DIM. "B"
6	.331 (8.40)	.76 (19.2)
8	.496 (12.60)	.92 (23.4)
10	.661 (16.80)	1.09 (27.6)
12	.827 (21.00)	1.25 (31.8)
14	.992 (25.20)	1.42 (36.0)
16	1.157 (29.40)	1.58 (40.2)
18	1.323 (33.60)	1.75 (44.4)
20	1.488 (37.80)	1.91 (48.6)
22	1.654 (42.00)	2.08 (52.8)
24	1.819 (46.20)	2.24 (57.0)

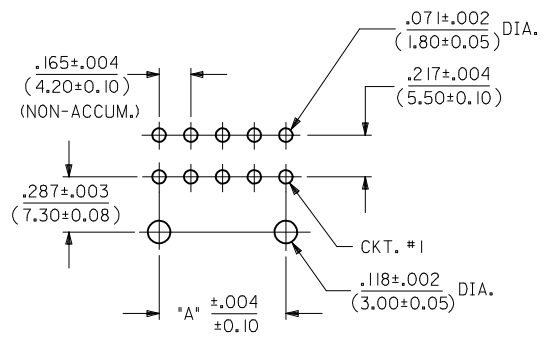


NOTES:

- MATERIAL: HOUSING: "A" = NYLON 6/6, U.L. 94V-2, COLOR: NATURAL. "B" = NYLON 6/6, U.L. 94V-0, COLOR: NATURAL. TERMINAL: BRASS ALLOY
- TERMINAL PLATING:
 - .000100/(.00254) MIN. MATTE TIN OVER .000050/(.00127) MIN. NICKEL OVERALL.
 - .000030/(.00076) MIN. SELECT GOLD AND .000100/(.00254) MIN. SELECT MATTE TIN OVER .000050/(.00127) MIN. NICKEL OVERALL.
- PRODUCT SPECIFICATION: PS-5556-002
- PACKAGING SPECIFICATION: PK-42404-002.
- 4-24 CKT. PARTS MATE WITH MINI-FIT JR. RECEPTACLES #5557, #42385, #44516 AND #42474. 2 CKT. PART MATES WITH #42385, #44516 AND #42474 ONLY.
- PART ALLOWS FOR UP TO .100/(2.54) MISALIGNMENT WITH MATING RECEPTACLE IN ANY DIRECTION. SEE MATING CONNECTOR DRAWINGS FOR SPECIFIC ALLOWANCES.
- CONNECTOR ASSEMBLIES ARE NOT TO BE MATED OR UNMATED WHILE CIRCUITS ARE LIVE.
- A MAXIMUM TOLERANCE OF .050/(1.27) ALLOWS FOR 2 POINTS OF ELECTRICAL CONTACT. A MAXIMUM TOLERANCE OF .020/(.51) ALLOWS FOR 4 POINTS OF CONTACT.
- DISCOLORATION IN THE BANDOLIER CARRIER AREA OF THE PIN IS INHERENT TO THE PLATING PROCESS AND IS DUE TO THE MASKING EFFECT OF THE CARRIER. THIS DISCOLORATION IS IN A NON-FUNCTIONAL AREA OF THE PIN AND WILL NOT AFFECT THE PERFORMANCE OF THE HEADER ASSEMBLY.
- PART IS NOT DESIGNED FOR CURRENT SHARING.
- PART IS NOT INTENDED TO PROVIDE ANY ALIGNMENT OF CUSTOMER COMPONENTS OR MODULES, SUCH AS POWER SUPPLIES AND CHASSIS.
- PARTS CONFORM TO CLASS 'B' REQUIREMENTS OF COSMETIC SPECIFICATION PS-45499-002.*
 - ▲ FORMING MARKS ARE ACCEPTABLE.
 - ▲ CORNER CORE-OUTS ARE OPTIONAL AND MAY OR MAY NOT BE PRESENT
- TEXT ON PART IS FOR REFERENCE ONLY. TEXT AND TEXT LOCATION MAY VARY DEPENDING ON PART NUMBER AND/OR TOOL.

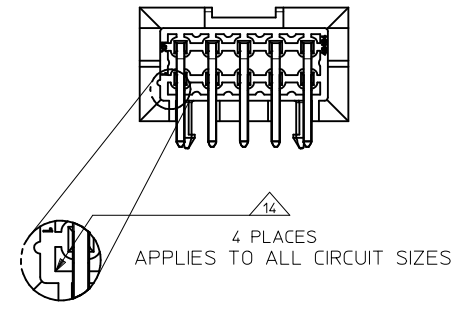
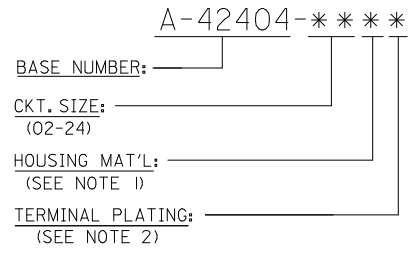


A-42404-****



RECOMMENDED HOLE LAYOUT FOR .070/(1.78) MAX. THICK P.C. BOARD VIEWED FROM COMPONENT SIDE

LEGEND:



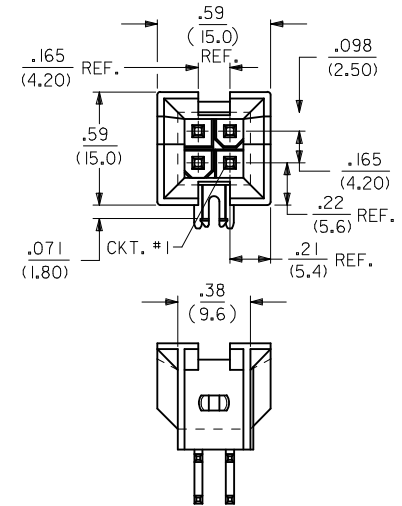
CKT. SIZE	HSG. MAT'L.	TERM. MAT'L.	PLATING
---B2, ---B4	42474-***2I, 5556-PBGS*P	94V-0	PHOS. BRZ.
---A2, ---A4	42474-***1I, 5556-PBGS*P	94V-2	
---B1, ---B3	42474-***2I, 5556-PBS*P	94V-0	TIN
---A1, ---A3	42474-***1I, 5556-PBS*P	94V-2	
---B2, ---B4	42474-***2I, 5556-GS*P	94V-0	BRASS
---A2, ---A4	42474-***1I, 5556-GS*P	94V-2	
---B1, ---B3	42474-***2I, 5556-S*P	94V-0	TIN
---A1, ---A3	42474-***1I, 5556-S*P	94V-2	
---B2, ---B4	A-42385-***D2	94V-0	PHOS. BRZ.
---A2, ---A4	A-42385-***C2	94V-2	
---B1, ---B3	A-42385-***D1	94V-0	TIN
---A1, ---A3	A-42385-***C1	94V-2	
---B2, ---B4	A-42385-***B2	94V-0	BRASS
---A2, ---A4	A-42385-***A2	94V-2	
---B1, ---B3	A-42385-***B1	94V-0	TIN
---A1, ---A3	A-42385-***A1	94V-2	

ADD BACK VIEW EC NO: UCP2017-0438 DRWNGS: LAFTER 2016/08/23 CHKD: J.BELL 2016/08/23 APPR: F.SMITH 2016/09/12	QUALITY SYMBOLS ▽=0 ▽=0 ▽=0	GENERAL TOLERANCES (UNLESS SPECIFIED) <table border="1"> <thead> <tr> <th></th> <th>mm</th> <th>INCH</th> </tr> </thead> <tbody> <tr> <td>4 PLACES ±</td> <td>---</td> <td>---</td> </tr> <tr> <td>3 PLACES ±</td> <td>---</td> <td>±.10</td> </tr> <tr> <td>2 PLACES ±</td> <td>0.25</td> <td>±.015</td> </tr> <tr> <td>1 PLACE ±</td> <td>0.38</td> <td>±---</td> </tr> </tbody> </table> ANGULAR ±1/2°		mm	INCH	4 PLACES ±	---	---	3 PLACES ±	---	±.10	2 PLACES ±	0.25	±.015	1 PLACE ±	0.38	±---	DIMENSION STYLE IN/MM	SCALE 2:1	DESIGN UNITS METRIC	THIRD ANGLE PROJECTION
				mm	INCH																
			4 PLACES ±	---	---																
3 PLACES ±	---	±.10																			
2 PLACES ±	0.25	±.015																			
1 PLACE ±	0.38	±---																			
DRAWN BY RWK	DATE 2/7/89	TITLE MINI-FIT JR. 2-24 CKT RIGHT ANGLE HEADER ASSY (BLIND MATE)	MOLEX INCORPORATED	SHEET NO. 1 OF 3																	
CHECKED BY RJF	DATE 2/7/89	APPROVED BY F.SMITH	DATE 2011/11/01	DOCUMENT NO. SDA-42404-****																	

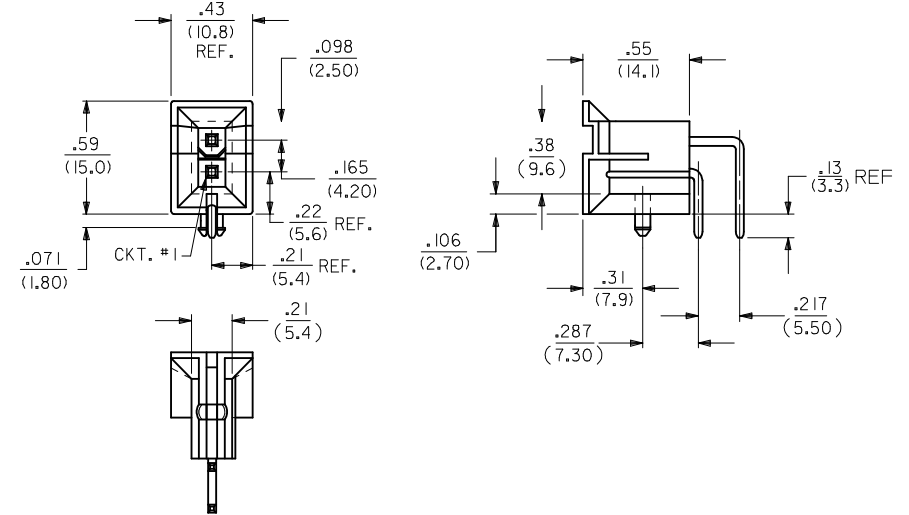
DRAFT WHERE APPLICABLE MUST REMAIN WITHIN DIMENSIONS

SEE SHEET 3

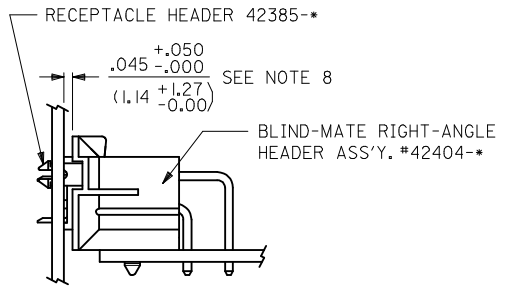
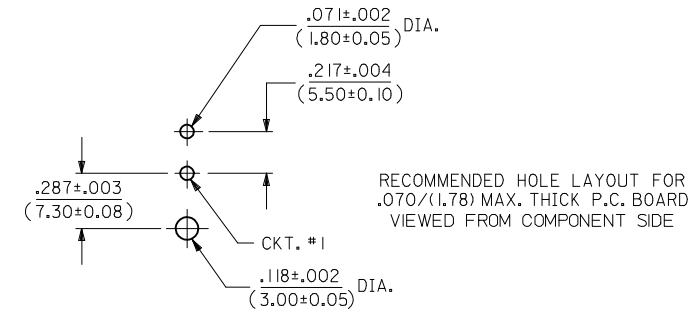
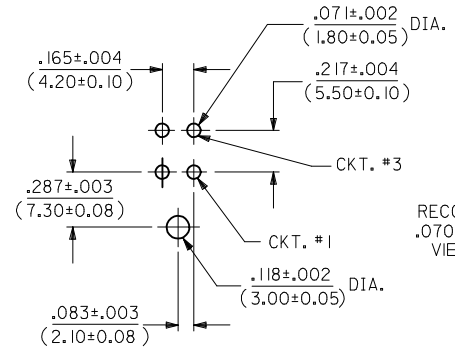
THIS DRAWING CONTAINS INFORMATION THAT IS PROPRIETARY TO MOLEX INCORPORATED AND SHOULD NOT BE USED WITHOUT WRITTEN PERMISSION



A-42404-04**



A-42404-02**



SEE RECEPTACLE DRAWINGS FOR ADDITIONAL MATING CONFIGURATIONS

SEE SHEET 1 EC NO: UCP2017-0438 DRAWN:CLAFTER 2016/08/23 CHKD:JBELL 2016/08/23 APPR:FSMITH 2016/09/21	QUALITY SYMBOLS ▽=0 ▽=0 ▽=0	GENERAL TOLERANCES (UNLESS SPECIFIED) mm INCH 4 PLACES ± --- ± --- 3 PLACES ± --- ± .010 2 PLACES ± 0.25 ± .015 1 PLACE ± 0.38 ± --- ANGULAR ± 1/2°	DIMENSION STYLE IN/MM DRAWN BY DATE RWK 2/7/89 CHECKED BY DATE RJF 2/7/89 APPROVED BY DATE FSMITH 2011/11/01	SCALE 2:1 DESIGN UNITS METRIC THIRD ANGLE PROJECTION	TITLE MINI-FIT JR. 2-24 CKT RIGHT ANGLE HEADER ASSY (BLIND MATE)	MATERIAL NO. SEE SHEET 3	DOCUMENT NO. SDA-42404-****	SHEET NO. 2 OF 3
	DRAFT WHERE APPLICABLE MUST REMAIN WITHIN DIMENSIONS		THIS DRAWING CONTAINS INFORMATION THAT IS PROPRIETARY TO MOLEX INCORPORATED AND SHOULD NOT BE USED WITHOUT WRITTEN PERMISSION		MOLEX MOLEX INCORPORATED		SDA-42404-****	
	T3		C		MOLEX MOLEX INCORPORATED		SDA-42404-****	
	T3		C		MOLEX MOLEX INCORPORATED		SDA-42404-****	

