



产品编号：[15246102](#)

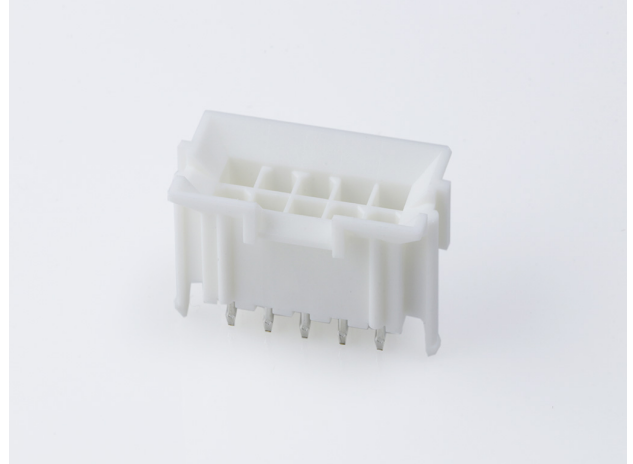
Product Description：Mini-Fit BMI Header, 4.20mm Pitch, Dual Row, Vertical, with Snap-in Plastic Peg PCB Lock, 10 Circuits, PA Polyamide Nylon 6/6, UL 94V-0, Tin (Sn) Plating, without Drain Holes

系列号：42440

状态：Active

Product Category：PCB Headers and Receptacles

工程编号：A-42440-1021



文件和资源

图纸

[图纸 015246102_sd.pdf](#)

[包装设计图 PK-42440-001-001.pdf](#)

3D 模型和设计文件

[3D模型 015246102_stp.zip](#)

[符号足迹数据 SYM-A42440-10XX-001.zip](#)

规格

[产品规格 55560002-PS-ES-000.pdf](#)

[产品规格 PS-5556-002-001.pdf](#)

[产品规格 55560002-PS-CH-000.pdf](#)

[产品规格 55560002-PS-SK-000.pdf](#)

[测试摘要 TS-5556-002-001.pdf](#)

产物环境合规

合规

GADSL/IMDS	Not Relevant
China RoHS	
EU ELV	Not Relevant
Low-Halogen Status	Low-Halogen per IEC 61249-2-21
REACH SVHC	Not Contained per D(2023)8585-DC (23 Jan 2024)
EU RoHS	Compliant per EU 2015/863

多部分产品合规性声明

- Eu RoHS
- REACH SVHC
- Low-Halogen

多部分行业合规性文件

- IPC 1752A Class C
- IPC 1752A Class D
- Molex Product Compliance Declaration
- IEC-62474
- chemSHERPA (xml)

欧盟 RoHS 合格证书

产品详情

常规

状态	活动
类别	PCB Headers and Receptacles
系列	42440
说明	Mini-Fit BMI Header, 4.20mm Pitch, Dual Row, Vertical, with Snap-in Plastic Peg PCB Lock, 10 Circuits, PA Polyamide Nylon 6/6, UL 94V-0, Tin (Sn) Plating, without Drain Holes
应用	Board-to-Board, Power, Wire-to-Board
个评论	Current = 13A max. per circuit when header is mated to a receptacle loaded with 45750 Mini-Fit Plus HCS Crimp Terminal Crimped to 16 AWG wire. See Molex product specification PS-45750-001 for additional current derating information.
元件类型	PCB Header
产品系列	Mini-Fit Family Power Connectors
产品名称	Mini-Fit BMI
UPC	800754208123

机构

CSA	LR19980
UL	E29179

电气

每触点最大电流	13.0A
电压 - 最大	600V

物理

断开	否
回路数 (已载入)	10
电路数 (最多)	10
颜色-树脂	Natural (White)
耐用性(插拔次数) - 最多次数	30
阻燃性	94V-0
符合灼热丝规范	否
可配插产品指南	是
锁定插接部位	是
材料 - 金属	Brass
材料 - 接合部位电镀	Tin
材料 - 终端电镀	Tin
材料 - 树脂	Nylon
净重	2.590/g
行数	2
方向	垂直
包装形式	Tray
PC 焊脚长度	3.56mm
PCB 定位器	是
PCB 保持力	是
推荐的 PCB 厚度	1.80mm
间距 - 插配接口	4.20mm
最薄镀层 - 接合部位	2.540µm
最薄镀层 - 端接	2.540µm
有极性的插配件	是
PCB 极性	是
有护墙的	Partial
可堆叠的	否
运行温度范围	-40° to +105° C

终端界面类型	Through Hole
--------	--------------

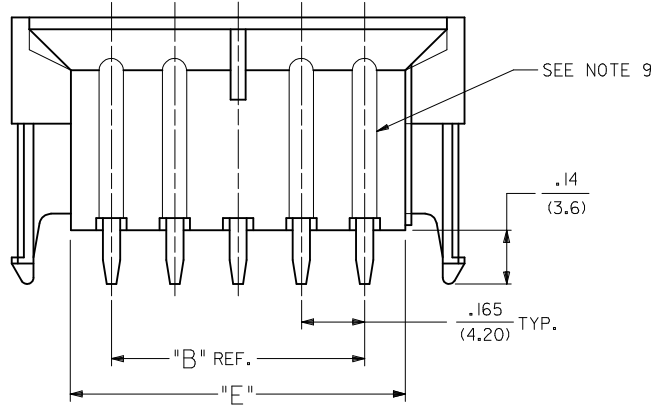
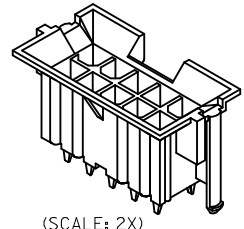
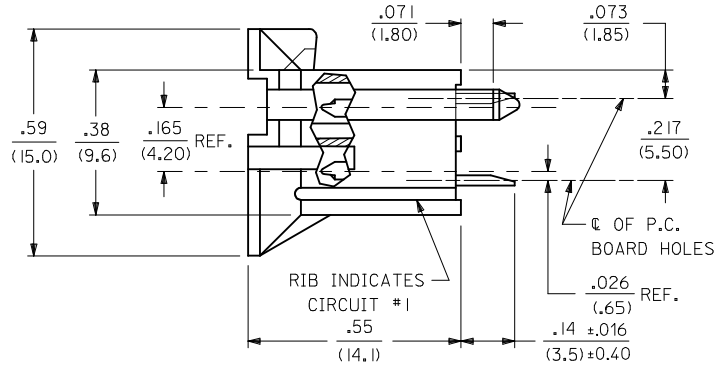
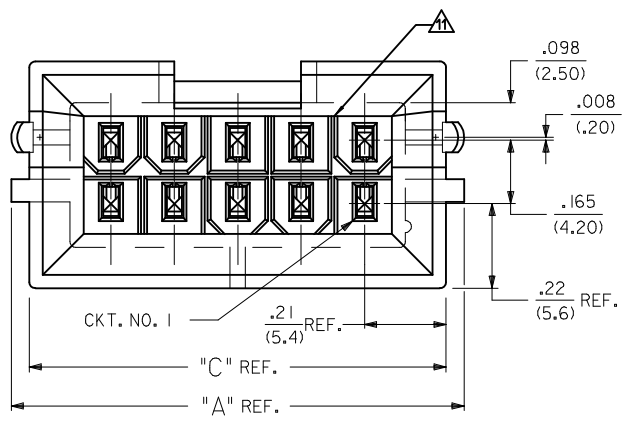
进程

最长持续时间	5
无铅	WAVE
最大周期	1
最高温度	240

可配插/可连接使用的产品

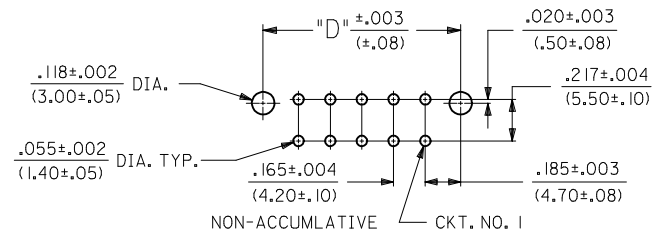
可配插部件

描述	产品编号
Mini-Fit BMI Receptacle Housing, 4.20mm Pitch, Dual Row with Panel Mount Ears, PA Polyamide Nylon 6/6, UL 94V-0, 10 Circuits	<u>15060101</u>
Mini-Fit BMI Receptacle Header, 4.20mm Pitch, Dual Row, Vertical, with Snap-In Plastic Pegs, 2.54µm Tin (Sn), UL 94V-0, 10 Circuits	<u>15247101</u>
Mini-Fit Jr. Receptacle Housing, Dual Row, 10 Circuits, UL 94V-0, Natural	<u>39012105</u>
Mini-Fit Jr.-to-Mini-Fit Jr. Off-the-Shelf (OTS) Overmolded Cable Assemblies	<u>245135</u>



CIRCUIT SIZE	DIM. "A"	DIM. "B"	DIM. "C"	DIM. "D"	DIM. "E"
2	.520 (13.20)	—	.425 (10.80)	.370 (9.40)	.21 (5.4)
4	.685 (17.40)	.17 (4.2)	.590 (15.00)	.535 (13.60)	.38 (9.6)
6	.850 (21.60)	.33 (8.4)	.756 (19.20)	.701 (17.80)	.54 (13.8)
8	1.016 (25.80)	.50 (12.6)	.921 (23.40)	.866 (22.00)	.71 (18.0)
10	1.181 (30.00)	.66 (16.8)	1.087 (27.60)	1.031 (26.20)	.87 (22.2)
12	1.346 (34.20)	.83 (21.0)	1.252 (31.80)	1.197 (30.40)	1.04 (26.4)
14	1.512 (38.40)	.99 (25.2)	1.417 (36.00)	1.362 (34.60)	1.20 (30.6)
16	1.677 (42.60)	1.16 (29.4)	1.583 (40.20)	1.528 (38.80)	1.37 (34.8)
18	1.843 (46.80)	1.32 (33.6)	1.748 (44.40)	1.693 (43.00)	1.54 (39.0)
20	2.008 (51.00)	1.49 (37.8)	1.913 (48.60)	1.858 (47.20)	1.70 (43.2)
22	2.173 (55.20)	1.65 (42.0)	2.079 (52.80)	2.024 (51.40)	1.87 (47.4)
24	2.339 (59.40)	1.82 (46.2)	2.244 (57.00)	2.189 (55.60)	2.03 (51.6)

LEGEND:
 A - 42440 - *** *
 BASE NUMBER — PLATING (SEE NOTE 2.)
 CIRCUIT SIZE (02-24) — HOUSING MAT'L. & OPTIONS (SEE NOTE 1.)

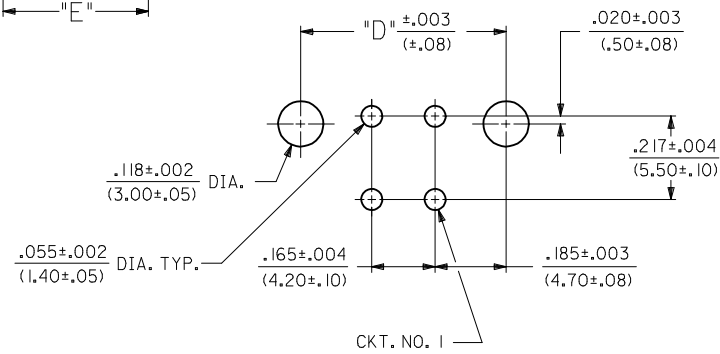
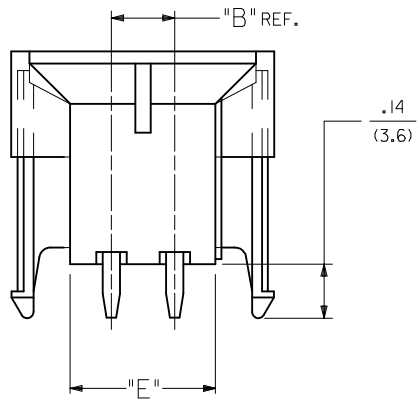
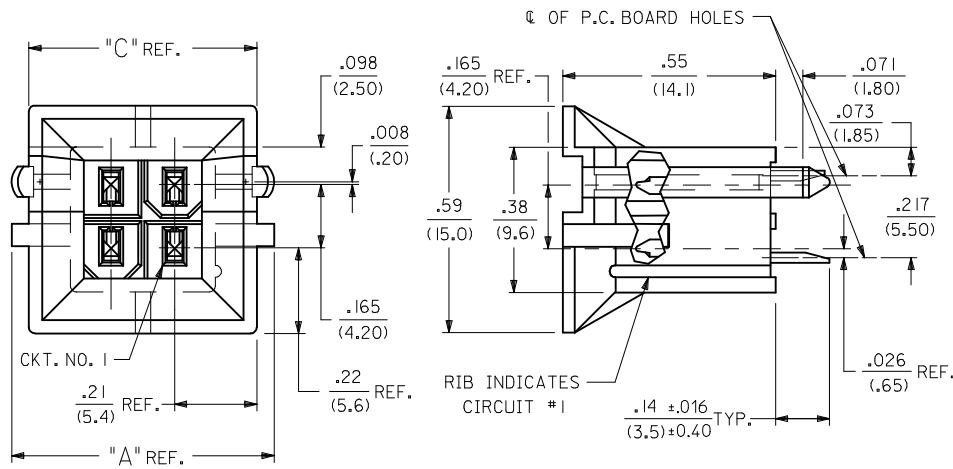


RECOMMENDED HOLE LAYOUT FOR .070/(1.78) MAX. THICK P.C. BOARD
 (SCALE: 2X)

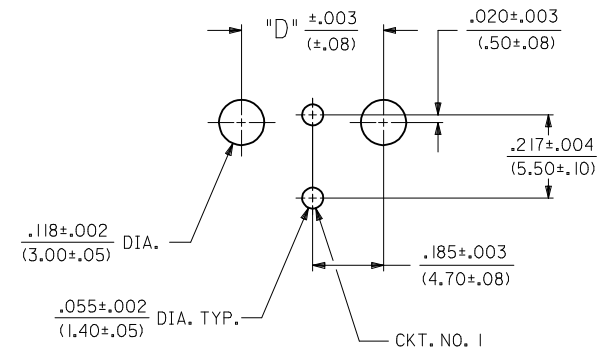
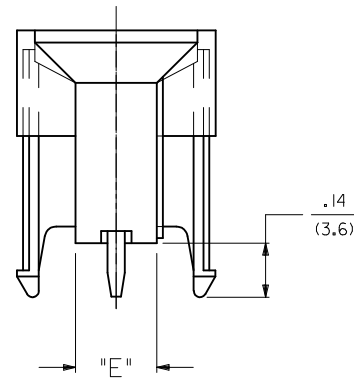
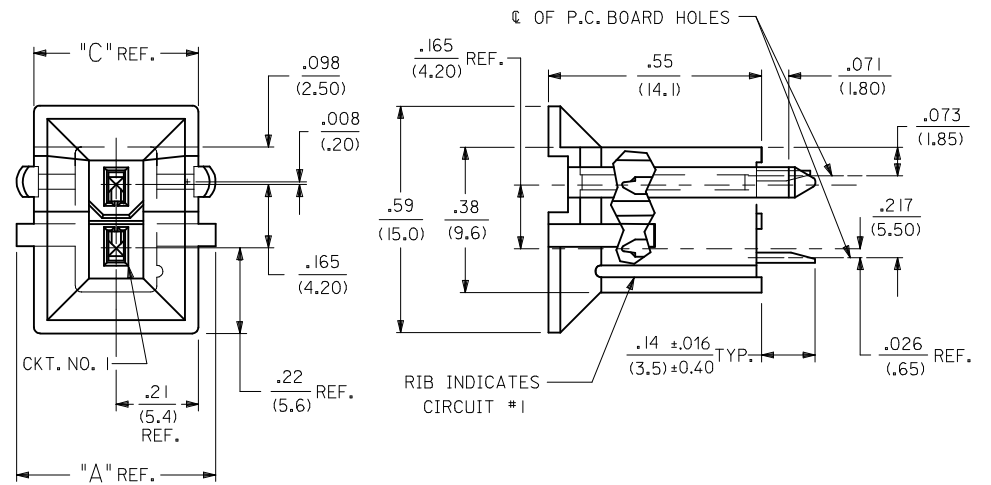
---22, ---23	42474-***21, 5556-GS*P	94V-0	BRASS	GOLD
---12, ---13	42474-***11, 5556-GS*P	94V-2	BRASS	TIN
---21	42474-***21, 5556-S*P	94V-0	BRASS	TIN
---11	42474-***11, 5556-S*P	94V-2	BRASS	TIN
---22, ---23,	A-42385-***B2, ---B4	94V-0	BRASS	GOLD
---12, ---13,	A-42385-***A2, ---A4	94V-2	BRASS	TIN
---21	A-42385-***B1	94V-0	BRASS	TIN
---11	A-42385-***A1	94V-2	BRASS	TIN
VERT. HEADER A-42440	MATING CONNECTOR	HSG. MAT'L.	TERM. MAT'L.	PLATING
		MATING CONNECTOR FEATURES		

ADD 0.40 TOL EC NO: UCP2013-0706 DRAWING: NGUYEN CHKD: JELL APPR: FSMITH 2012/08/20 2012/08/20 2012/09/05	QUALITY SYMBOLS ▽=0 ▽=0 ▽=0	GENERAL TOLERANCES (UNLESS SPECIFIED) <table border="1"> <thead> <tr> <th></th> <th>mm</th> <th>INCH</th> </tr> </thead> <tbody> <tr> <td>4 PLACES ± ---</td> <td>± ---</td> <td>± ---</td> </tr> <tr> <td>3 PLACES ± ---</td> <td>± .010</td> <td>± .015</td> </tr> <tr> <td>2 PLACES ± 0.25</td> <td>± .015</td> <td>± .020</td> </tr> <tr> <td>1 PLACE ± 0.38</td> <td>± ---</td> <td>± ---</td> </tr> </tbody> </table> ANGULAR ± 5°		mm	INCH	4 PLACES ± ---	± ---	± ---	3 PLACES ± ---	± .010	± .015	2 PLACES ± 0.25	± .015	± .020	1 PLACE ± 0.38	± ---	± ---	DIMENSION STYLE IN/MM	SCALE 4:1	DESIGN UNITS METRIC	THIRD ANGLE PROJECTION
				mm	INCH																
4 PLACES ± ---	± ---	± ---																			
3 PLACES ± ---	± .010	± .015																			
2 PLACES ± 0.25	± .015	± .020																			
1 PLACE ± 0.38	± ---	± ---																			
DRAFT WHERE APPLICABLE MUST REMAIN WITHIN DIMENSIONS	SEE CHART	MOLEX INCORPORATED	SDA-42440-****	SHEET NO. 1 OF 4																	

THIS DRAWING CONTAINS INFORMATION THAT IS PROPRIETARY TO MOLEX INCORPORATED AND SHOULD NOT BE USED WITHOUT WRITTEN PERMISSION



RECOMMENDED HOLE LAYOUT FOR .070/(1.78) MAX. THICK P.C. BOARD



RECOMMENDED HOLE LAYOUT FOR .070/(1.78) MAX. THICK P.C. BOARD

SEE SHEET 1 EC NO: UCP2013-0706 DRAWN: NGUYEN CHKD: J.BELL APPR: F.SMITH 2012/08/20 2012/08/20 2012/09/05	QUALITY SYMBOLS ▽=0 ▽=0 ▽=0	GENERAL TOLERANCES (UNLESS SPECIFIED) mm INCH 4 PLACES ± --- ± --- 3 PLACES ± --- ± .010 2 PLACES ± 0.25 ± .015 1 PLACE ± 0.38 ± --- ANGULAR ± 5°	DIMENSION STYLE IN/MM DRAWN BY DATE GEP 1989/04/06 CHECKED BY DATE RJF 1989/04/06 APPROVED BY DATE F.SMITH 2011/02/11	SCALE 1:1 DESIGN UNITS METRIC THIRD ANGLE PROJECTION	TITLE MINI-FIT B.M.I. VERTICAL HEADER ASSY MOLEX INCORPORATED DOCUMENT NO. SDA-42440-**** SHEET NO. 2 OF 4	
	DRAFT WHERE APPLICABLE MUST REMAIN WITHIN DIMENSIONS		SEE CHART	THIS DRAWING CONTAINS INFORMATION THAT IS PROPRIETARY TO MOLEX INCORPORATED AND SHOULD NOT BE USED WITHOUT WRITTEN PERMISSION		
	Q5	REV				

NOTES:

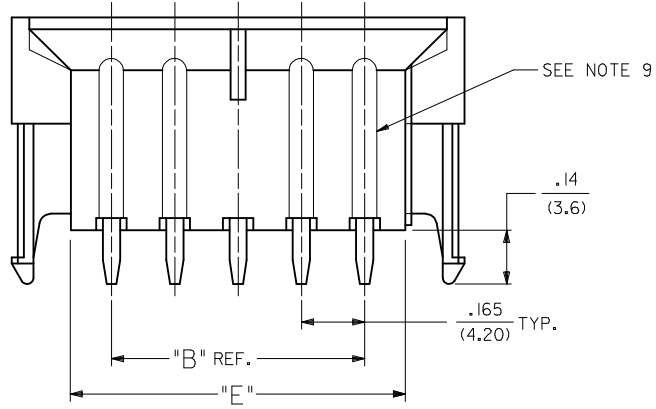
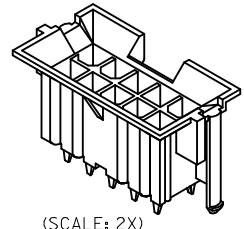
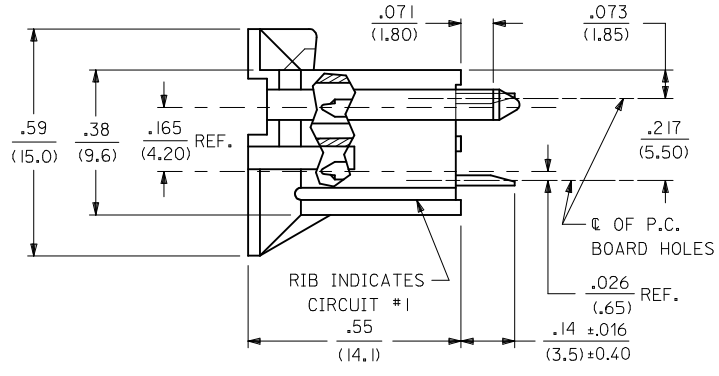
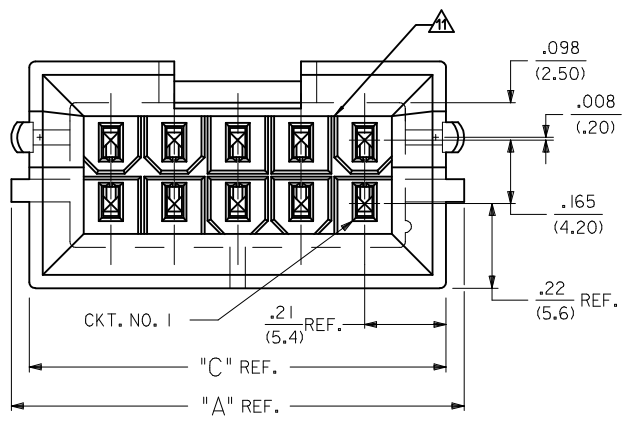
- 1) MATERIAL:
HOUSING MATERIAL:
1 = NYLON 6/6, UNFILLED UL 94V-2, COLOR: NATURAL
2 = NYLON 6/6, UNFILLED UL 94V-0, COLOR: NATURAL
TERMINALS: BRASS
- 2) TERMINAL PLATING:
S = .000100/(0.00254) MIN. BRIGHT TIN OVER .000050/(0.00127) MIN. NICKEL
GS = .000030/(0.00076) MIN. SELECT GOLD AND .000100/(0.00254) MIN.
SELECT MATTE TIN OVER .000050/(.00127) MIN. NICKEL OVERALL
GS3 = .000050/(0.00127) MIN. SELECT GOLD AND .000100/(0.00254) MIN.
SELECT MATTE TIN OVER .000050/(.00127) MIN. NICKEL OVERALL
- 3) PRODUCT SPECIFICATION: PS-5556-002
- 4) PACKAGING: SEE CHARTS
- 5) 6-24 CIRCUIT PARTS MATE WITH MINI-FIT JR. RECEPTACLES 5557, 42474, 44516 AND HEADERS 42385; 2 AND 4 CIRCUIT PARTS MATE WITH 42385,44516 AND 42474 ONLY.
- 6) PART ALLOWS FOR UP TO .100/(2.54) MISALIGNMENT WITH MATING RECEPTACLE IN ANY DIRECTION. SEE MATING CONNECTOR DRAWINGS FOR SPECIFIC ALLOWANCES.
- 7) CONNECTOR IS NOT DESIGNED FOR CURRENT SHARING.
- 8) CONNECTOR ASSEMBLIES ARE NOT BE MATED OR UNMATED WHILE CIRCUITS ARE LIVE.
- 9) RIB LOCATION IS DETERMINED BY MOLD DESIGN FOR MANUFACTURING EASE AND THE LOCATION DOES NOT AFFECT PART FUNCTION OR PERFORMANCE. LOCATION OF RIBS MAY VARY ON PARTS WITHIN MAUFACTURING LOT OR SHIPMENT. THIS DRAWING SHOWS TYPICAL RIB LOCATIONS.
- 10) PART CONFORMS TO CLASS "B" REQUIREMENTS OF COSMETIC SPECIFICATION PS-45499-002.
- 11) 12 CIRCUIT PARTS HAVE A SLOT BETWEEN CIRCUITS 7 AND 8.

SEE SHEET 1 EC NO: UCP2013-0706 DRAWING: NGUYEN 2012/08/20 CHKD: BELLE 2012/08/20 APPR: FSMITH 2012/09/05	QUALITY SYMBOLS	GENERAL TOLERANCES (UNLESS SPECIFIED)		DIMENSION STYLE IN/MM		SCALE 1:1	DESIGN UNITS METRIC	THIRD ANGLE PROJECTION	
	▽=0	mm	INCH	DRAWN BY GEP	DATE 1989/04/06	TITLE MINI-FIT B.M.I. VERTICAL HEADER ASSY			
	▽=0	4 PLACES ± --- ± ---	3 PLACES ± --- ± .010	CHECKED BY RJF	DATE 1989/04/06				
	▽=0	2 PLACES ± 0.25 ± .015	1 PLACE ± 0.38 ± ---	APPROVED BY FSMITH	DATE 2011/02/11				
		ANGULAR ± 5 °		MATERIAL NO. SEE CHART		DOCUMENT NO. SDA-42440-****		SHEET NO. 3 OF 4	
	DRAFT WHERE APPLICABLE MUST REMAIN WITHIN DIMENSIONS		SIZE C		THIS DRAWING CONTAINS INFORMATION THAT IS PROPRIETARY TO MOLEX INCORPORATED AND SHOULD NOT BE USED WITHOUT WRITTEN PERMISSION				

13	12	11	10	9	8	7	6	5	4	3	2	1			
PLATING: TIN (SEE NOTE 2 OPTION 'S')				PLATING: TIN (SEE NOTE 2 OPTION 'S')				PLATING: 30 M.I. SELECT GOLD (SEE NOTE 2 OPTION 'GS')				PLATING: 30 M.I. SELECT GOLD (SEE NOTE 2 OPTION 'GS')			
DRAINS: WITHOUT DRAIN HOLES				DRAINS: WITHOUT DRAIN HOLES				DRAINS: WITHOUT DRAIN HOLES				DRAINS: WITHOUT DRAIN HOLES			
PEGS: WITH PEGS				PEGS: WITH PEGS				PEGS: WITH PEGS				PEGS: WITH PEGS			
MAT'L: 94V-2 [NATURAL]				MAT'L: 94V-0 [NATURAL]				MAT'L: 94V-2 [NATURAL]				MAT'L: 94V-0 [NATURAL]			
PACKAGING: TRAY PER PK-42440-001				PACKAGING: TRAY PER PK-42440-001				PACKAGING: TRAY PER PK-42440-001				PACKAGING: TRAY PER PK-42440-001			
PART NO.	ENG NO.		CKTS	PART NO.	ENG NO.		CKTS	PART NO.	ENG NO.		CKTS	PART NO.	ENG NO.		CKTS
NO EDP	A-42440-021I	-	2	NO EDP	A-42440-022I	-	2	NO EDP	A-42440-0212	-	2	NO EDP	A-42440-0222	-	2
15-24-6041	A-42440-041I	-	4	15-24-6042	A-42440-042I	-	4	15-28-6041	A-42440-0412	-	4	15-28-6042	A-42440-0422	-	4
15-24-6061	A-42440-061I	-	6	15-24-6062	A-42440-062I	-	6	15-28-6061	A-42440-0612	-	6	15-28-6062	A-42440-0622	-	6
NO EDP	A-42440-081I	-	8	NO EDP	A-42440-082I	-	8	NO EDP	A-42440-0812	-	8	NO EDP	A-42440-0822	-	8
15-24-6101	A-42440-101I	-	10	15-24-6102	A-42440-102I	-	10	15-28-6101	A-42440-1012	-	10	15-28-6102	A-42440-1022	-	10
15-24-6121	A-42440-121I	-	12	15-24-6122	A-42440-122I	-	12	15-28-6121	A-42440-1212	-	12	15-28-6122	A-42440-1222	-	12
15-24-6141	A-42440-141I	-	14	15-24-6142	A-42440-142I	-	14	15-28-6141	A-42440-1412	-	14	15-28-6142	A-42440-1422	-	14
15-24-6161	A-42440-161I	-	16	15-24-6162	A-42440-162I	-	16	15-28-6161	A-42440-1612	-	16	NO EDP	A-42440-1622	-	16
15-24-6181	A-42440-181I	-	18	15-24-6182	A-42440-182I	-	18	15-28-6181	A-42440-1812	-	18	15-28-6182	A-42440-1822	-	18
NO EDP	A-42440-201I	-	20	NO EDP	A-42440-202I	-	20	NO EDP	A-42440-2012	-	20	NO EDP	A-42440-2022	-	20
NO EDP	A-42440-221I	-	22	NO EDP	A-42440-222I	-	22	NO EDP	A-42440-2212	-	22	NO EDP	A-42440-2222	-	22
15-24-6241	A-42440-241I	-	24	15-24-6242	A-42440-242I	-	24	15-28-6241	A-42440-2412	-	24	15-28-6242	A-42440-2422	-	24
	-	-			-	-			-	-			-	-	
	-	-			-	-			-	-			-	-	

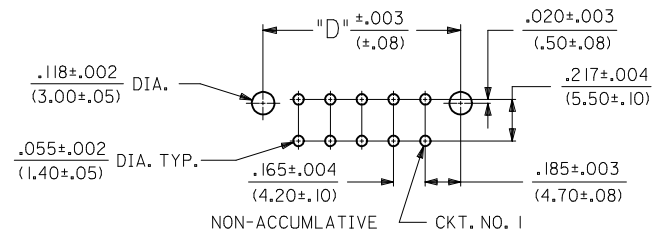
PLATING: 50 M.I. SELECT GOLD (SEE NOTE 2 OPTION 'GS3')				PLATING: 50 M.I. SELECT GOLD (SEE NOTE 2 OPTION 'GS3')				PLATING:				PLATING:			
DRAINS: WITHOUT DRAIN HOLES				DRAINS: WITHOUT DRAIN HOLES				DRAINS:				DRAINS:			
PEGS: WITH PEGS				PEGS: WITH PEGS				PEGS:				PEGS:			
MAT'L: 94V-2 [NATURAL]				MAT'L: 94V-0 [NATURAL]				MAT'L:				MAT'L:			
PACKAGING: TRAY PER PK-42440-001				PACKAGING: TRAY PER PK-42440-001				PACKAGING:				PACKAGING:			
PART NO.	ENG NO.		CKTS	PART NO.	ENG NO.		CKTS	PART NO.	ENG NO.		CKTS	PART NO.	ENG NO.		CKTS
NO EDP	A-42440-0213	-	2	NO EDP	A-42440-0223	-	2	NO EDP	-	-	2	NO EDP	-	-	2
NO EDP	A-42440-0413	-	4	NO EDP	A-42440-0423	-	4	NO EDP	-	-	4	NO EDP	-	-	4
NO EDP	A-42440-0613	-	6	NO EDP	A-42440-0623	-	6	NO EDP	-	-	6	NO EDP	-	-	6
NO EDP	A-42440-0813	-	8	NO EDP	A-42440-0823	-	8	NO EDP	-	-	8	NO EDP	-	-	8
NO EDP	A-42440-1013	-	10	NO EDP	A-42440-1023	-	10	NO EDP	-	-	10	NO EDP	-	-	10
NO EDP	A-42440-1213	-	12	NO EDP	A-42440-1223	-	12	NO EDP	-	-	12	NO EDP	-	-	12
NO EDP	A-42440-1413	-	14	NO EDP	A-42440-1423	-	14	NO EDP	-	-	14	NO EDP	-	-	14
NO EDP	A-42440-1613	-	16	NO EDP	A-42440-1623	-	16	NO EDP	-	-	16	NO EDP	-	-	16
NO EDP	A-42440-1813	-	18	NO EDP	A-42440-1823	-	18	NO EDP	-	-	18	NO EDP	-	-	18
NO EDP	A-42440-2013	-	20	NO EDP	A-42440-2023	-	20	NO EDP	-	-	20	NO EDP	-	-	20
NO EDP	A-42440-2213	-	22	NO EDP	A-42440-2223	-	22	NO EDP	-	-	22	NO EDP	-	-	22
NO EDP	A-42440-2413	-	24	NO EDP	A-42440-2423	-	24	NO EDP	-	-	24	NO EDP	-	-	24
	-	-			-	-			-	-			-	-	
	-	-			-	-			-	-			-	-	

SEE SHEET 1 EC NO: UCP2013-0706 DRAWING: NGUYEN 2012/08/20 CHKD: J.BELL 2012/08/20 APPR: FSMITH	QUALITY SYMBOLS ∇=0 ∇=0 ∇=0	GENERAL TOLERANCES (UNLESS SPECIFIED)		DIMENSION STYLE IN/MM		SCALE 1:1	DESIGN UNITS METRIC	THIRD ANGLE PROJECTION		
		4 PLACES ± --- ± ---		DRAWN BY GEP		DATE 1989/04/06		MINI-FIT B.M.I. VERTICAL HEADER ASSY		
		3 PLACES ± --- ± .010		CHECKED BY R.J.F.		DATE 1989/04/06				
		2 PLACES ± 0.25 ± .015		APPROVED BY FSMITH		DATE 2011/02/11		MOLEX INCORPORATED		
1 PLACE ± 0.38 ± ---		ANGULAR ± 5 °		MATERIAL NO.		DOCUMENT NO.		SHEET NO.		
DRAFT WHERE APPLICABLE MUST REMAIN WITHIN DIMENSIONS				SEE CHART		SDA-42440-****		4 OF 4		
THIS DRAWING CONTAINS INFORMATION THAT IS PROPRIETARY TO MOLEX INCORPORATED AND SHOULD NOT BE USED WITHOUT WRITTEN PERMISSION										



CIRCUIT SIZE	DIM. "A"	DIM. "B"	DIM. "C"	DIM. "D"	DIM. "E"
2	.520 (13.20)	—	.425 (10.80)	.370 (9.40)	.21 (5.4)
4	.685 (17.40)	.17 (4.2)	.590 (15.00)	.535 (13.60)	.38 (9.6)
6	.850 (21.60)	.33 (8.4)	.756 (19.20)	.701 (17.80)	.54 (13.8)
8	1.016 (25.80)	.50 (12.6)	.921 (23.40)	.866 (22.00)	.71 (18.0)
10	1.181 (30.00)	.66 (16.8)	1.087 (27.60)	1.031 (26.20)	.87 (22.2)
12	1.346 (34.20)	.83 (21.0)	1.252 (31.80)	1.197 (30.40)	1.04 (26.4)
14	1.512 (38.40)	.99 (25.2)	1.417 (36.00)	1.362 (34.60)	1.20 (30.6)
16	1.677 (42.60)	1.16 (29.4)	1.583 (40.20)	1.528 (38.80)	1.37 (34.8)
18	1.843 (46.80)	1.32 (33.6)	1.748 (44.40)	1.693 (43.00)	1.54 (39.0)
20	2.008 (51.00)	1.49 (37.8)	1.913 (48.60)	1.858 (47.20)	1.70 (43.2)
22	2.173 (55.20)	1.65 (42.0)	2.079 (52.80)	2.024 (51.40)	1.87 (47.4)
24	2.339 (59.40)	1.82 (46.2)	2.244 (57.00)	2.189 (55.60)	2.03 (51.6)

LEGEND:
 A - 42440 - *** *
 BASE NUMBER ——— PLATING (SEE NOTE 2.)
 CIRCUIT SIZE (02-24) ——— HOUSING MAT'L. & OPTIONS (SEE NOTE 1.)



RECOMMENDED HOLE LAYOUT FOR .070/(1.78) MAX. THICK P.C. BOARD
 (SCALE: 2X)

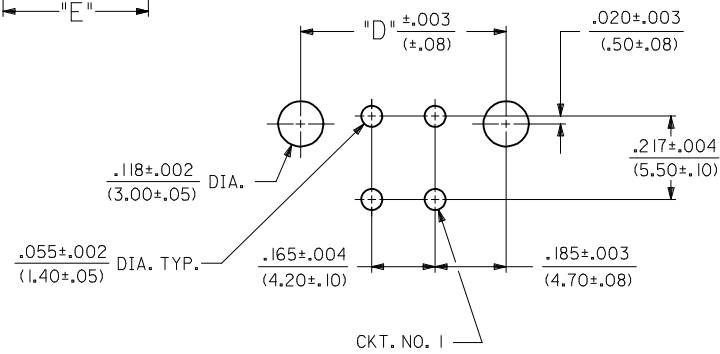
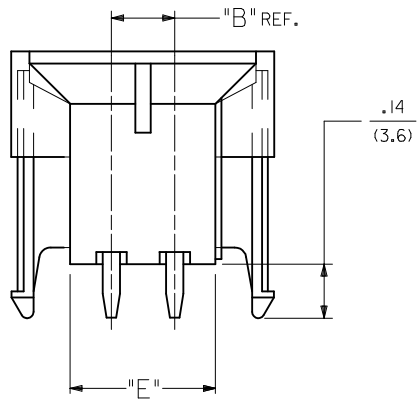
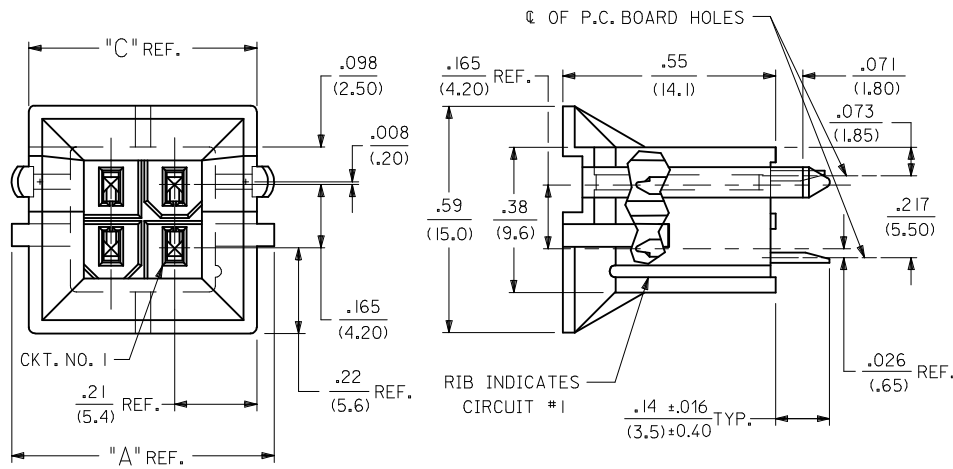
---	22, ---23	42474-***21, 5556-GS*P	94V-0	BRASS	GOLD
---	12, ---13	42474-***11, 5556-GS*P	94V-2	BRASS	TIN
---	21	42474-***21, 5556-S*P	94V-0	BRASS	TIN
---	11	42474-***11, 5556-S*P	94V-2	BRASS	TIN
---	22, ---23,	A-42385-***B2, ---B4	94V-0	BRASS	GOLD
---	12, ---13,	A-42385-***A2, ---A4	94V-2	BRASS	TIN
---	21	A-42385-***B1	94V-0	BRASS	TIN
---	11	A-42385-***A1	94V-2	BRASS	TIN
	VERT. HEADER A-42440	MATING CONNECTOR	HSG. MAT'L.	TERM. MAT'L.	PLATING
			MATING CONNECTOR FEATURES		

ADD 0.40 TOL	2012/08/20	QUALITY SYMBOLS
EC NO: UCP2013-0706	2012/08/20	▽=0
DRW:NGUYEN	2012/08/20	▽=0
CHKD:JBELL	2012/09/05	▽=0
APPR:FSMITH		
REV	DESCRIPTION	
Q5		

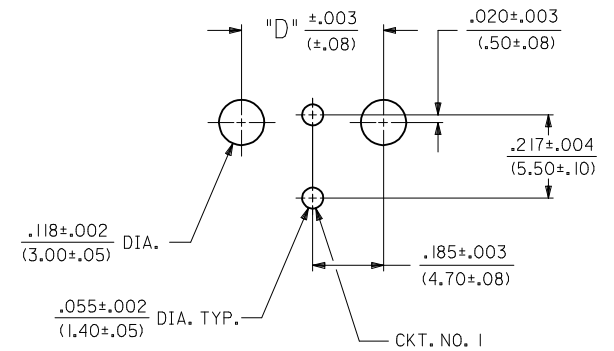
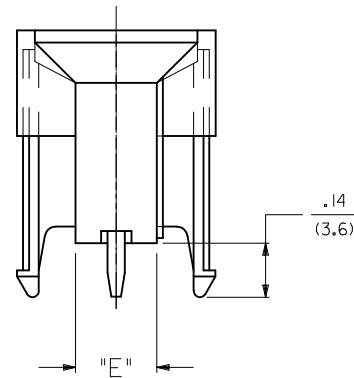
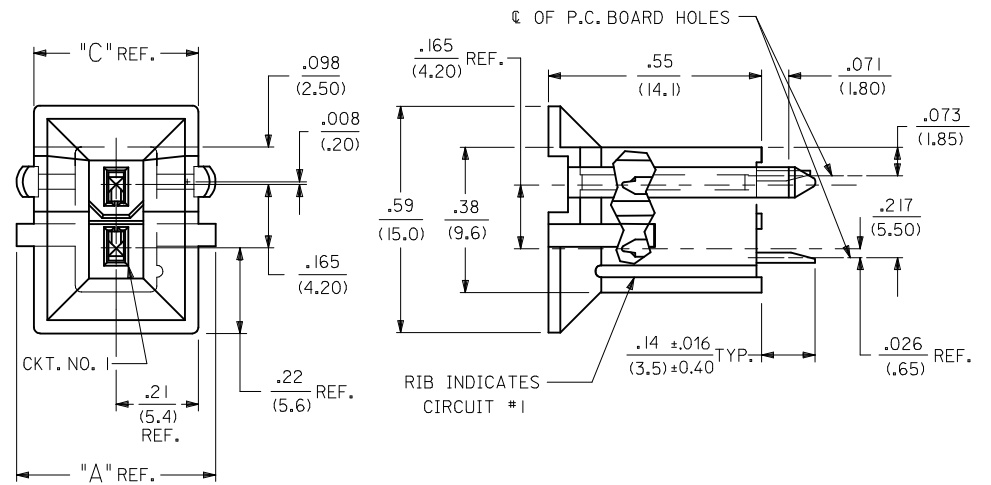
GENERAL TOLERANCES (UNLESS SPECIFIED)
 mm INCH
 4 PLACES ± --- ± ---
 3 PLACES ± --- ± .010
 2 PLACES ± 0.25 ± .015
 1 PLACE ± 0.38 ± ---
 ANGULAR ± 5 °
 DRAFT WHERE APPLICABLE
 MUST REMAIN WITHIN DIMENSIONS

DIMENSION STYLE IN/MM
 SCALE 4:1
 DESIGN UNITS METRIC
 THIRD ANGLE PROJECTION
 DRAWN BY GEP DATE 1989/04/06
 CHECKED BY RJF DATE 1989/04/06
 APPROVED BY FSMITH DATE 2011/02/11
 MATERIAL NO. SEE CHART
 DOCUMENT NO. SDA-42440-****

MOLEX INCORPORATED
 SHEET NO. 1 OF 4
 THIS DRAWING CONTAINS INFORMATION THAT IS PROPRIETARY TO MOLEX INCORPORATED AND SHOULD NOT BE USED WITHOUT WRITTEN PERMISSION



RECOMMENDED HOLE LAYOUT FOR .070/(1.78) MAX. THICK P.C. BOARD



RECOMMENDED HOLE LAYOUT FOR .070/(1.78) MAX. THICK P.C. BOARD

SEE SHEET 1 EC NO: UCP2013-0706 DRAWN: NGUYEN CHKD: BELL APPR: FSMITH 2012/08/20 2012/08/20 2012/09/05	QUALITY SYMBOLS	GENERAL TOLERANCES (UNLESS SPECIFIED)	DIMENSION STYLE	SCALE	DESIGN UNITS	THIRD ANGLE PROJECTION
	▽=0	mm INCH	IN/MM	1:1	METRIC	
	▽=0	4 PLACES ± --- ± ---	DRAWN BY DATE	TITLE		
	▽=0	3 PLACES ± --- ± .010	CHECKED BY DATE	MINI-FIT B.M.I. VERTICAL HEADER ASSY		
	▽=0	2 PLACES ± 0.25 ± .015	APPROVED BY DATE	MOLEX INCORPORATED		
	ANGULAR ± 5°	1 PLACE ± 0.38 ± ---	MATERIAL NO.	DOCUMENT NO.	SHEET NO.	
			FSMITH 2011/02/11	SDA-42440-****	2 OF 4	
		DRAFT WHERE APPLICABLE MUST REMAIN WITHIN DIMENSIONS	SEE CHART	THIS DRAWING CONTAINS INFORMATION THAT IS PROPRIETARY TO MOLEX INCORPORATED AND SHOULD NOT BE USED WITHOUT WRITTEN PERMISSION		

NOTES:

- 1) MATERIAL:
HOUSING MATERIAL:
1 = NYLON 6/6, UNFILLED UL 94V-2, COLOR: NATURAL
2 = NYLON 6/6, UNFILLED UL 94V-0, COLOR: NATURAL
TERMINALS: BRASS
- 2) TERMINAL PLATING:
S = .000100/(0.00254) MIN. BRIGHT TIN OVER .000050/(0.00127) MIN. NICKEL
GS = .000030/(0.00076) MIN. SELECT GOLD AND .000100/(0.00254) MIN.
SELECT MATTE TIN OVER .000050/(.00127) MIN. NICKEL OVERALL
GS3 = .000050/(0.00127) MIN. SELECT GOLD AND .000100/(0.00254) MIN.
SELECT MATTE TIN OVER .000050/(.00127) MIN. NICKEL OVERALL
- 3) PRODUCT SPECIFICATION: PS-5556-002
- 4) PACKAGING: SEE CHARTS
- 5) 6-24 CIRCUIT PARTS MATE WITH MINI-FIT JR. RECEPTACLES 5557, 42474, 44516 AND HEADERS 42385; 2 AND 4 CIRCUIT PARTS MATE WITH 42385,44516 AND 42474 ONLY.
- 6) PART ALLOWS FOR UP TO .100/(2.54) MISALIGNMENT WITH MATING RECEPTACLE IN ANY DIRECTION. SEE MATING CONNECTOR DRAWINGS FOR SPECIFIC ALLOWANCES.
- 7) CONNECTOR IS NOT DESIGNED FOR CURRENT SHARING.
- 8) CONNECTOR ASSEMBLIES ARE NOT BE MATED OR UNMATED WHILE CIRCUITS ARE LIVE.
- 9) RIB LOCATION IS DETERMINED BY MOLD DESIGN FOR MANUFACTURING EASE AND THE LOCATION DOES NOT AFFECT PART FUNCTION OR PERFORMANCE. LOCATION OF RIBS MAY VARY ON PARTS WITHIN MAUFACTURING LOT OR SHIPMENT. THIS DRAWING SHOWS TYPICAL RIB LOCATIONS.
- 10) PART CONFORMS TO CLASS "B" REQUIREMENTS OF COSMETIC SPECIFICATION PS-45499-002.
- 11) 12 CIRCUIT PARTS HAVE A SLOT BETWEEN CIRCUITS 7 AND 8.

SEE SHEET 1 EC NO: UCP2013-0706 DRAWN: NGUYEN 2012/08/20 CHKD: BELLE 2012/08/20 APPR: FSMITH 2012/09/05	Q5 REV	DESCRIPTION QUALITY SYMBOLS ▽=0 ▽=0 ▽=0	GENERAL TOLERANCES (UNLESS SPECIFIED)		DIMENSION STYLE IN/MM		SCALE 1:1	DESIGN UNITS METRIC	THIRD ANGLE PROJECTION			
							DRAWN BY DATE GEP 1989/04/06		TITLE MINI-FIT B.M.I. VERTICAL HEADER ASSY			
							CHECKED BY DATE RJF 1989/04/06					
							APPROVED BY DATE FSMITH 2011/02/11		MOLEX INCORPORATED MATERIAL NO. DOCUMENT NO. SHEET NO. SEE CHART SDA-42440-**** 3 OF 4			
							ANGULAR ± 5 °					
DRAFT WHERE APPLICABLE MUST REMAIN WITHIN DIMENSIONS					SIZE C		THIS DRAWING CONTAINS INFORMATION THAT IS PROPRIETARY TO MOLEX INCORPORATED AND SHOULD NOT BE USED WITHOUT WRITTEN PERMISSION					

13	12	11	10	9	8	7	6	5	4	3	2	1			
PLATING: TIN (SEE NOTE 2 OPTION 'S')				PLATING: TIN (SEE NOTE 2 OPTION 'S')				PLATING: 30 M.I. SELECT GOLD (SEE NOTE 2 OPTION 'GS')				PLATING: 30 M.I. SELECT GOLD (SEE NOTE 2 OPTION 'GS')			
DRAINS: WITHOUT DRAIN HOLES				DRAINS: WITHOUT DRAIN HOLES				DRAINS: WITHOUT DRAIN HOLES				DRAINS: WITHOUT DRAIN HOLES			
PEGS: WITH PEGS				PEGS: WITH PEGS				PEGS: WITH PEGS				PEGS: WITH PEGS			
MAT'L: 94V-2 [NATURAL]				MAT'L: 94V-0 [NATURAL]				MAT'L: 94V-2 [NATURAL]				MAT'L: 94V-0 [NATURAL]			
PACKAGING: TRAY PER PK-42440-001				PACKAGING: TRAY PER PK-42440-001				PACKAGING: TRAY PER PK-42440-001				PACKAGING: TRAY PER PK-42440-001			
PART NO.	ENG NO.		CKTS	PART NO.	ENG NO.		CKTS	PART NO.	ENG NO.		CKTS	PART NO.	ENG NO.		CKTS
NO EDP	A-42440-0211	-	2	NO EDP	A-42440-0221	-	2	NO EDP	A-42440-0212	-	2	NO EDP	A-42440-0222	-	2
15-24-6041	A-42440-0411	-	4	15-24-6042	A-42440-0421	-	4	15-28-6041	A-42440-0412	-	4	15-28-6042	A-42440-0422	-	4
15-24-6061	A-42440-0611	-	6	15-24-6062	A-42440-0621	-	6	15-28-6061	A-42440-0612	-	6	15-28-6062	A-42440-0622	-	6
NO EDP	A-42440-0811	-	8	NO EDP	A-42440-0821	-	8	NO EDP	A-42440-0812	-	8	NO EDP	A-42440-0822	-	8
15-24-6101	A-42440-1011	-	10	15-24-6102	A-42440-1021	-	10	15-28-6101	A-42440-1012	-	10	15-28-6102	A-42440-1022	-	10
15-24-6121	A-42440-1211	-	12	15-24-6122	A-42440-1221	-	12	15-28-6121	A-42440-1212	-	12	15-28-6122	A-42440-1222	-	12
15-24-6141	A-42440-1411	-	14	15-24-6142	A-42440-1421	-	14	15-28-6141	A-42440-1412	-	14	15-28-6142	A-42440-1422	-	14
15-24-6161	A-42440-1611	-	16	15-24-6162	A-42440-1621	-	16	15-28-6161	A-42440-1612	-	16	NO EDP	A-42440-1622	-	16
15-24-6181	A-42440-1811	-	18	15-24-6182	A-42440-1821	-	18	15-28-6181	A-42440-1812	-	18	15-28-6182	A-42440-1822	-	18
NO EDP	A-42440-2011	-	20	NO EDP	A-42440-2021	-	20	NO EDP	A-42440-2012	-	20	NO EDP	A-42440-2022	-	20
NO EDP	A-42440-2211	-	22	NO EDP	A-42440-2221	-	22	NO EDP	A-42440-2212	-	22	NO EDP	A-42440-2222	-	22
15-24-6241	A-42440-2411	-	24	15-24-6242	A-42440-2421	-	24	15-28-6241	A-42440-2412	-	24	15-28-6242	A-42440-2422	-	24
	-	-			-	-			-	-			-	-	
	-	-			-	-			-	-			-	-	

PLATING: 50 M.I. SELECT GOLD (SEE NOTE 2 OPTION 'GS3')				PLATING: 50 M.I. SELECT GOLD (SEE NOTE 2 OPTION 'GS3')				PLATING:				PLATING:			
DRAINS: WITHOUT DRAIN HOLES				DRAINS: WITHOUT DRAIN HOLES				DRAINS:				DRAINS:			
PEGS: WITH PEGS				PEGS: WITH PEGS				PEGS:				PEGS:			
MAT'L: 94V-2 [NATURAL]				MAT'L: 94V-0 [NATURAL]				MAT'L:				MAT'L:			
PACKAGING: TRAY PER PK-42440-001				PACKAGING: TRAY PER PK-42440-001				PACKAGING:				PACKAGING:			
PART NO.	ENG NO.		CKTS	PART NO.	ENG NO.		CKTS	PART NO.	ENG NO.		CKTS	PART NO.	ENG NO.		CKTS
NO EDP	A-42440-0213	-	2	NO EDP	A-42440-0223	-	2	NO EDP	-	-	2	NO EDP	-	-	2
NO EDP	A-42440-0413	-	4	NO EDP	A-42440-0423	-	4	NO EDP	-	-	4	NO EDP	-	-	4
NO EDP	A-42440-0613	-	6	NO EDP	A-42440-0623	-	6	NO EDP	-	-	6	NO EDP	-	-	6
NO EDP	A-42440-0813	-	8	NO EDP	A-42440-0823	-	8	NO EDP	-	-	8	NO EDP	-	-	8
NO EDP	A-42440-1013	-	10	NO EDP	A-42440-1023	-	10	NO EDP	-	-	10	NO EDP	-	-	10
NO EDP	A-42440-1213	-	12	NO EDP	A-42440-1223	-	12	NO EDP	-	-	12	NO EDP	-	-	12
NO EDP	A-42440-1413	-	14	NO EDP	A-42440-1423	-	14	NO EDP	-	-	14	NO EDP	-	-	14
NO EDP	A-42440-1613	-	16	NO EDP	A-42440-1623	-	16	NO EDP	-	-	16	NO EDP	-	-	16
NO EDP	A-42440-1813	-	18	NO EDP	A-42440-1823	-	18	NO EDP	-	-	18	NO EDP	-	-	18
NO EDP	A-42440-2013	-	20	NO EDP	A-42440-2023	-	20	NO EDP	-	-	20	NO EDP	-	-	20
NO EDP	A-42440-2213	-	22	NO EDP	A-42440-2223	-	22	NO EDP	-	-	22	NO EDP	-	-	22
NO EDP	A-42440-2413	-	24	NO EDP	A-42440-2423	-	24	NO EDP	-	-	24	NO EDP	-	-	24
	-	-			-	-			-	-			-	-	
	-	-			-	-			-	-			-	-	

SEE SHEET 1 EC NO: UCP2013-0706 DRAWING: NGUYEN 2012/08/20 CHKD: J.BELL 2012/08/20 APPR: F.SMITH	QUALITY SYMBOLS ∇=0 ∇=0 ∇=0	GENERAL TOLERANCES (UNLESS SPECIFIED)		DIMENSION STYLE IN/MM		SCALE 1:1	DESIGN UNITS METRIC	THIRD ANGLE PROJECTION		
		4 PLACES ± --- ± ---		DRAWN BY GEP		DATE 1989/04/06		MINI-FIT B.M.I. VERTICAL HEADER ASSY		
		3 PLACES ± --- ± .010		CHECKED BY R.J.F.		DATE 1989/04/06				
		2 PLACES ± 0.25 ± .015		APPROVED BY F.S.MITH		DATE 2011/02/11		MOLEX INCORPORATED		
1 PLACE ± 0.38 ± ---		ANGULAR ± 5 °		MATERIAL NO.		DOCUMENT NO.		SHEET NO.		
DRAFT WHERE APPLICABLE MUST REMAIN WITHIN DIMENSIONS				SEE CHART		SDA-42440-****		4 OF 4		
THIS DRAWING CONTAINS INFORMATION THAT IS PROPRIETARY TO MOLEX INCORPORATED AND SHOULD NOT BE USED WITHOUT WRITTEN PERMISSION										