



产品编号 : [15247101](#)

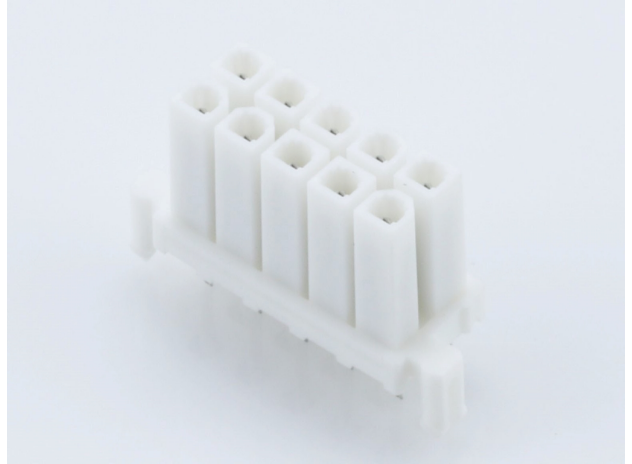
**Product Description** : Mini-Fit BMI Receptacle Header, 4.20mm Pitch, Dual Row, Vertical, with Snap-In Plastic Pegs, 2.54µm Tin (Sn), UL 94V-0, 10 Circuits

系列号 : 42385

状态 : Active

**Product Category** : PCB Headers and Receptacles

工程编号 : 42385-10B1



---

## 文件和资源

### 图纸

[图纸 015247101\\_sd.pdf](#)

[包装设计图 PK-42385-999-001.pdf](#)

### 3D 模型和设计文件

[3D模型 015247101\\_stp.zip](#)

[符号足迹数据 SYM-A42385-10XX-001.zip](#)

### 规格

[产品规格 55560002-PS-SK-000.pdf](#)

[产品规格 55560002-PS-CH-000.pdf](#)

[产品规格 55560002-PS-ES-000.pdf](#)

[产品规格 PS-5556-002-001.pdf](#)


[测试摘要 423850000-TS-000.pdf](#)

[测试摘要 TS-5556-002-001.pdf](#)

---

## 产物环境合规

### 合规

GADSL/IMDS	Compliant with Exemption 33; 44
China RoHS	
EU ELV	Not Relevant
Low-Halogen Status	Low-Halogen per IEC 61249-2-21
REACH SVHC	Not Contained per D(2023)8585-DC (23 Jan 2024)
EU RoHS	Compliant per EU 2015/863

## 多部分产品合规性声明

- Eu RoHS
- REACH SVHC
- Low-Halogen

## 多部分行业合规性文件

- IPC 1752A Class C
- IPC 1752A Class D
- Molex Product Compliance Declaration
- IEC-62474
- chemSHERPA (xml)

## 欧盟 RoHS 合格证书

---

## 产品详情

### 常规

状态	活动
类别	PCB Headers and Receptacles
系列	42385
说明	Mini-Fit BMI Receptacle Header, 4.20mm Pitch, Dual Row, Vertical, with Snap-In Plastic Pegs, 2.54µm Tin (Sn), UL 94V-0, 10 Circuits
应用	Board-to-Board, Power, Wire-to-Board
个评论	Solder Type, With Pegs
元件类型	PCB Receptacle
产品系列	Mini-Fit Family Power Connectors
产品名称	Mini-Fit BMI
UPC	800754209243

### 机构

CSA	LR19980
UL	E29179

### 电气

每触点最大电流	9.0A
PCB接地	否
电压 - 最大	600V AC (RMS) /DC

## 物理

回路数 (已载入)	10
电路数 (最多)	10
颜色-树脂	Natural (White)
耐用性(插拔次数) - 最多次数	30
阻燃性	94V-0
符合灼热丝规范	否
可配插产品指南	是
插接极性	无
锁定插接部位	无
材料 - 金属	Brass
材料 - 接合部位电镀	Tin
材料 - 树脂	Nylon
净重	2.079/g
行数	2
方向	垂直
包装形式	Tray
PCB 定位器	是
PCB 保持力	是
推荐的 PCB 厚度	1.00mm
间距 - 插配接口	4.20mm
间距 - 终端界面	4.20mm
有极性的插配件	是
PCB 极性	是
运行温度范围	-40° to +105° C
终端界面类型	Through Hole

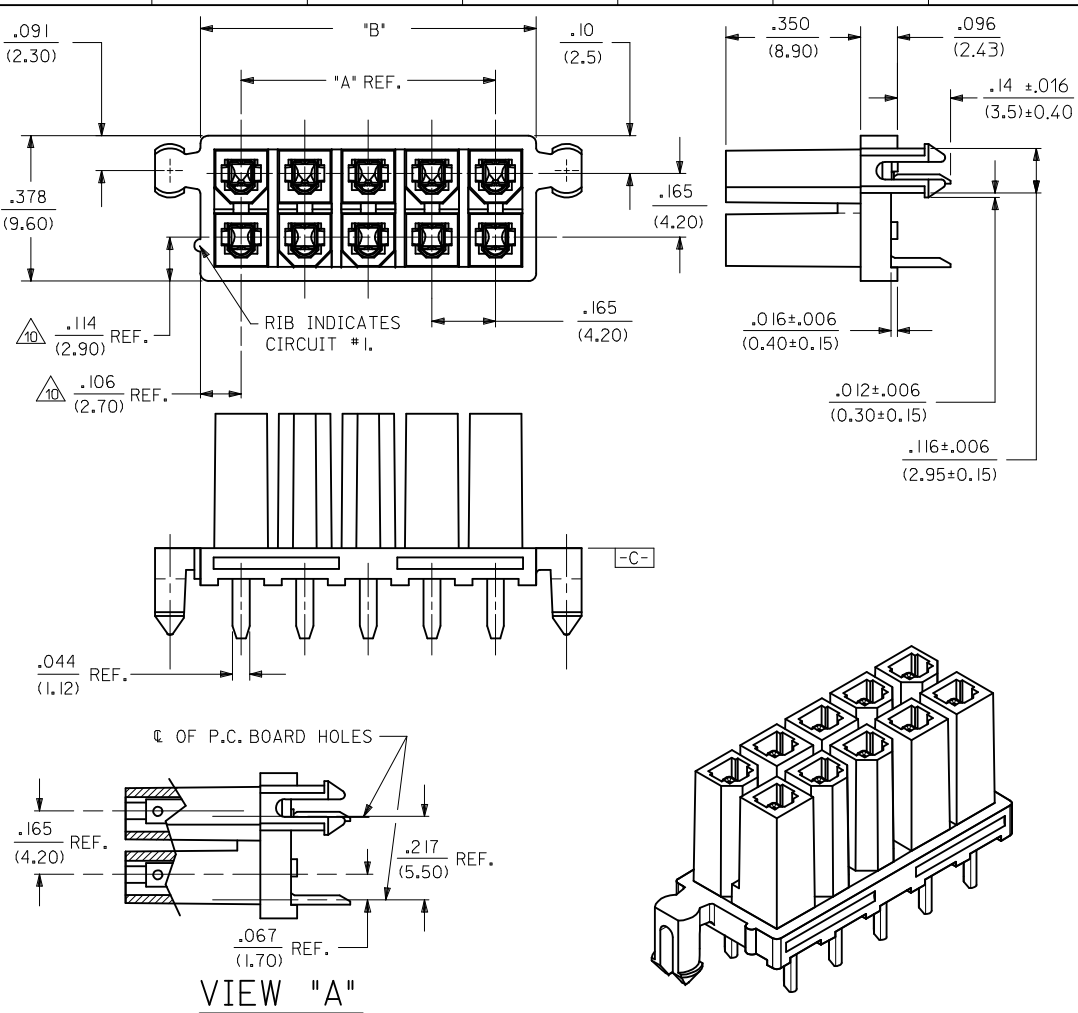
## 进程

最长持续时间	5
无铅	WAVE
最大周期	1
最高温度	240

## 可配插/可连接使用的产品

### 可配插部件

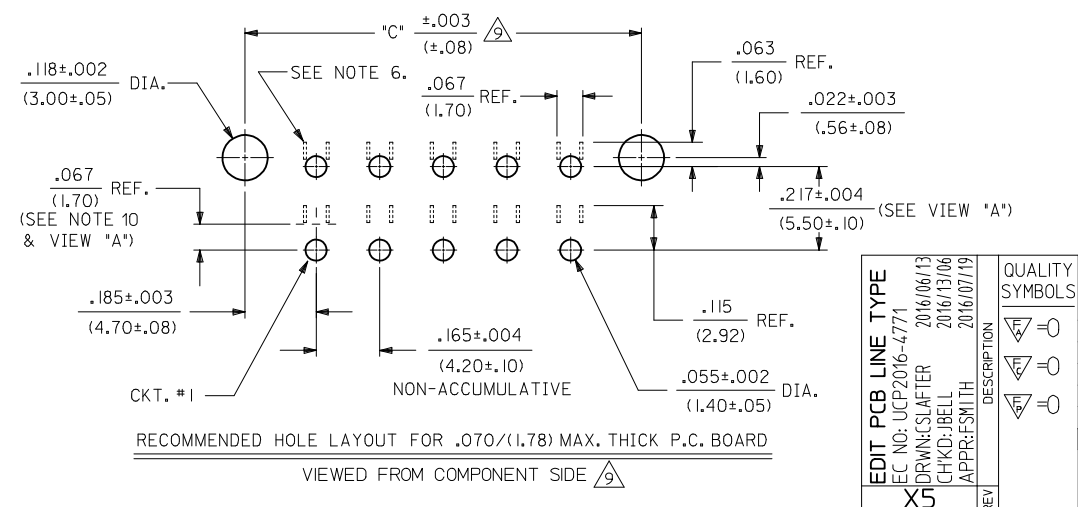
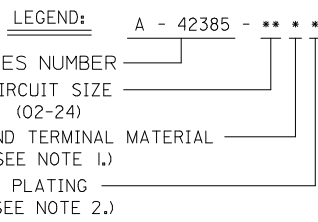
描述	产品编号
Mini-Fit BMI Dual Row Plug Housings	<u>42475</u>
Mini-Fit BMI Right-Angle Dual Row Headers	<u>42404</u>
Mini-Fit BMI Right-Angle Dual Row Headers	<u>43810</u>
Mini-Fit BMI Vertical Dual Row Headers	<u>42440</u>
Mini-Fit BMI Vertical Dual Row Headers	<u>43879</u>
Mini-Fit BMI Vertical Dual Row Headers	<u>44068</u>



**NOTES:**

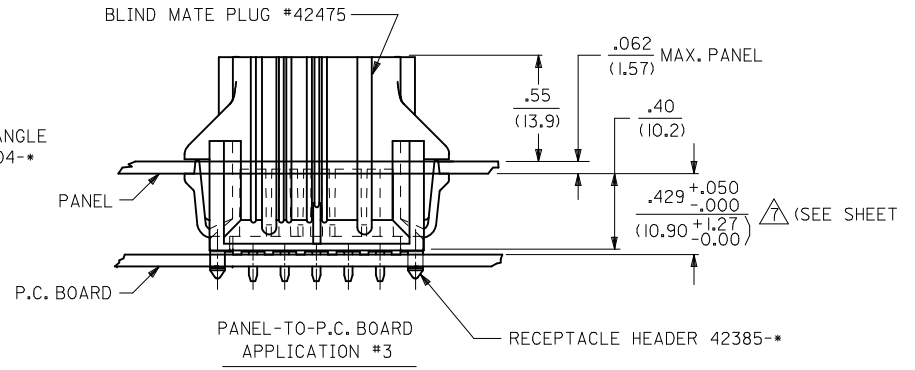
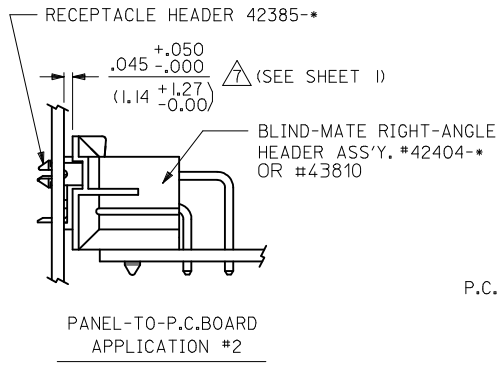
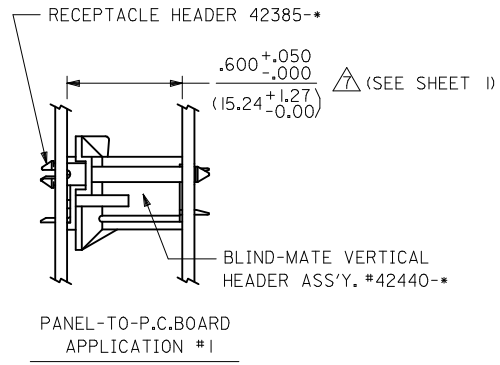
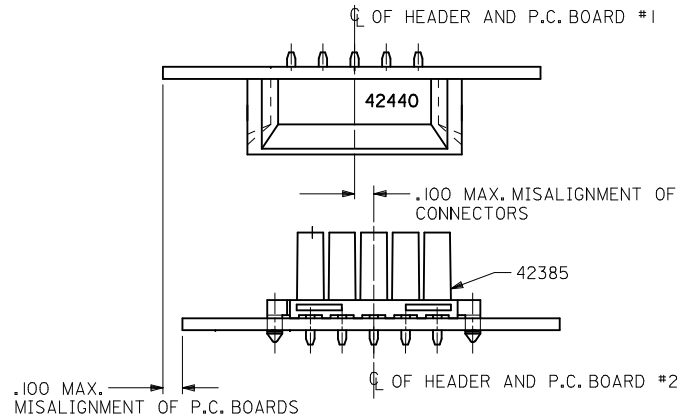
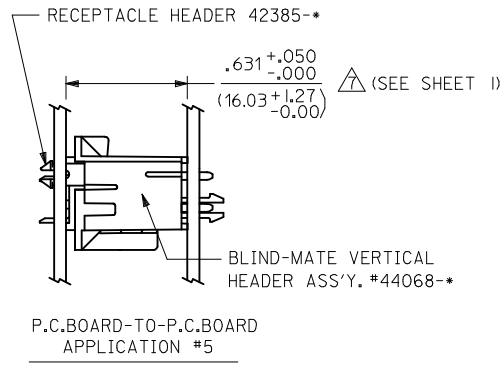
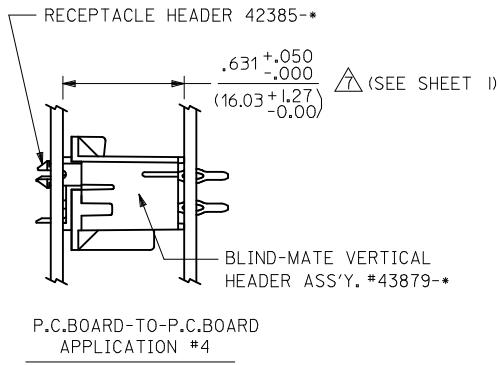
- HOUSING AND TERMINAL MATERIAL:
  - A - HOUSING : NYLON 6/6, UNFILLED U.L. 94V-2, COLOR NATURAL. TERMINAL: BRASS.
  - B - HOUSING : NYLON 6/6, UNFILLED U.L. 94V-0, COLOR NATURAL. TERMINAL: BRASS.
  - C - HOUSING : NYLON 6/6, UNFILLED U.L. 94V-2, COLOR NATURAL. TERMINAL: PHOS. BRONZE.
  - D - HOUSING : NYLON 6/6, UNFILLED U.L. 94V-0, COLOR NATURAL. TERMINAL: PHOS. BRONZE.
- TERMINAL PLATING:
  - 1 - .000100/(.00254) MIN. MATTE TIN OVER .000050/(.00127) MIN. NICKEL.
  - 2 - .000030/(.00076) MIN. SELECT GOLD AND .000100/(.00254) MIN. SELECT MATTE TIN OVER .000050/(.00127) MIN. NICKEL OVERALL.
  - 4 - .000050/(.00127) MIN. SELECT GOLD AND .000100/(.00254) MIN. SELECT MATTE TIN OVER .000050/(.00127) MIN. NICKEL OVERALL.
- PRODUCT SPECIFICATION: PS-5556-002.
- TRAY PACK PER PK-42385-999.
- PART MATES WITH MINI-FIT B.M.I. PLUG #42475 AND HEADERS 42404,42440,43810,43879, AND 44068
- PHANTOM LINES INDICATE AREAS WHERE TERMINAL STANDOFFS CONTACT P.C. BOARD. NO EXPOSED TRACES OR VIAS ALLOWED NEAR THESE AREAS.
- A MAXIMUM TOLERANCE OF .050/(1.27) ALLOWS FOR 2 POINTS OF ELECTRICAL CONTACT. A MAXIMUM TOLERANCE OF .020/(.51) ALLOWS FOR 4 POINTS OF CONTACT.
- .016 IN/IN OR .016 MM/MM MAX. BOW ALLOWABLE AT DATUM **-C-**.
- IT IS RECOMMENDED TO USE THE 42475 SERIES MATING PART NUMBER WITHOUT TERMINALS TO AID IN PCB INSERTION. INSERT THE 42385 PART INTO THE 42475 PART AND THEN INSERT INTO THE PCB.
- DIMENSION TO BE USED FOR ALIGNMENT OF CIRCUIT #1 OF MATING CONNECTOR
- CONNECTOR ASSEMBLIES ARE NOT TO BE MATED OR UNMATED WHILE CIRCUITS ARE LIVE.
- PARTS NOT DESIGNED FOR CURRENT SHARING.
- WHEN THIS PRODUCT IS USED IN A BLIND MATING APPLICATION, THE SYSTEM LEVEL DESIGN MUST INCORPORATE GUIDANCE SO THE CONNECTORS ARE WITHIN THE CAPTURE ENVELOPE (UP TO (.100/2.54) MISALIGNMENT) OF THE FLANGES ON THE HEADER OR PLUG HOUSING AND CAN THUS ALIGN THEMSELVES AS THEY COME TOGETHER. FLOAT IS ALSO REQUIRED IN THE OVERALL DESIGN, TO ALLOW THE PCB RECEPTACLE OR IT'S MATE TO MOVE INTO A STRESS-FREE POSITION AFTER MATING. IN BOARD TO BOARD APPLICATIONS, ONLY ONE HEADER IS ALLOWED PER P.C. BOARD.
- PARTS CONFORM TO CLASS 'B' REQUIREMENTS OF COSMETIC SPECIFICATION PS-45499-002.

CIRCUIT SIZE	DIM. 'A'	DIM. 'B'	DIM. 'C'
2	—	.21 (5.4)	.370 (9.40)
4	.165 (4.20)	.38 (9.6)	.535 (13.60)
6	.331 (8.40)	.54 (13.8)	.701 (17.80)
8	.496 (12.60)	.71 (18.0)	.866 (22.00)
10	.661 (16.80)	.87 (22.2)	1.031 (26.20)
12	.827 (21.00)	1.04 (26.4)	1.197 (30.40)
14	.992 (25.20)	1.20 (30.6)	1.362 (34.60)
16	1.157 (29.40)	1.37 (34.8)	1.528 (38.80)
18	1.323 (33.60)	1.54 (39.0)	1.693 (43.00)
20	1.488 (37.80)	1.70 (43.2)	1.858 (47.20)
22	1.654 (42.00)	1.87 (47.4)	2.024 (51.40)
24	1.819 (46.20)	2.03 (51.6)	2.189 (55.60)



REV	DESCRIPTION	QUALITY SYMBOLS
X5	EDIT PCB LINE TYPE EC NO: UCP2016-4771 DRAWN:SLAFTER 2016/06/13 CHKD:JBELL 2016/13/06 APPR:FSMITH 2016/07/19	

GENERAL TOLERANCES (UNLESS SPECIFIED)		DIMENSION STYLE		SCALE	DESIGN UNITS	THIRD ANGLE PROJECTION
mm	INCH	IN/MM		4:1	METRIC	
4 PLACES ± .010	± .010	DRAWN BY	DATE	TITLE		
3 PLACES ± .010	± .010	RJF	1988/12/09	RECEPTACLE HEADER ASSY		
2 PLACES ± .025	± .015	CHECKED BY	DATE	MINI-FIT SERIES		
1 PLACE ± .038	± .015	JTR	1988/12/09	BLIND MATE		
0 PLACE ±	±	APPROVED BY	DATE	<b>molex</b>		
		FSMITH	2010/11/22			
ANGULAR ± 5°		MATERIAL NO.		DOCUMENT NO.		SHEET NO.
DRAFT WHERE APPLICABLE MUST REMAIN WITHIN DIMENSIONS		SEE SHT 3-4		SDA-42385-*		1 OF 4
THIS DRAWING CONTAINS INFORMATION THAT IS PROPRIETARY TO MOLEX INCORPORATED AND SHOULD NOT BE USED WITHOUT WRITTEN PERMISSION						



SEE NOTE 13

SEE SHEET 1 EC NO: UCP2016-4771 DRWNG: SLAFTER 2016/06/13 CHKD: JBELL 2016/13/06 APPR: FSMITH 2016/07/19	DESCRIPTION	QUALITY SYMBOLS	GENERAL TOLERANCES (UNLESS SPECIFIED)	DIMENSION STYLE	SCALE	DESIGN UNITS	THIRD ANGLE PROJECTION	
		▽=0	mm INCH	IN/MM	4:1	METRIC	☉	
		▽=0	4 PLACES ± --- ± ---	DRAWN BY DATE	TITLE			
		▽=0	3 PLACES ± --- ± .010	RJF 1988/12/09	RECEPTACLE HEADER ASSY MINI-FIT SERIES BLIND MATE			
		▽=0	2 PLACES ± 0.25 ± .015	CHECKED BY DATE	molex			
	1 PLACE ± 0.38 ± ---	JTR 1988/12/09						
		0 PLACE ± ±	APPROVED BY DATE	DOCUMENT NO.				
			FSMITH 2010/11/22	SDA-42385-*				
				SHEET NO.				
				2 OF 4				
				THIS DRAWING CONTAINS INFORMATION THAT IS PROPRIETARY TO MOLEX INCORPORATED AND SHOULD NOT BE USED WITHOUT WRITTEN PERMISSION				

PART NUMBER	ENG. NUMBER	CKT. SIZE	HSG./TERM. MATERIAL	TERMINAL PLATING
NO E.D.P.	A-42385-02B1	2	94V-0,BRASS	MATTE TIN OVER NICKEL
15-24-7041	-04B1	4		
15-24-7061	-06B1	6		
NO E.D.P.	-08B1	8		
15-24-7101	-10B1	10		
NO E.D.P.	-12B1	12		
15-24-7141	-14B1	14		
15-24-7161	-16B1	16		
15-24-7181	-18B1	18		
NO E.D.P.	-20B1	20		
NO E.D.P.	-22B1	22		
15-24-7241	A-42385-24B1	24	94V-0,BRASS	MATTE TIN OVER NICKEL
NO E.D.P.	A-42385-02B2	2	94V-0,BRASS	30 M.I. SEL. GOLD
15-24-7043	-04B2	4		
15-24-7063	-06B2	6		
NO E.D.P.	-08B2	8		
15-24-7103	-10B2	10		
NO E.D.P.	-12B2	12		
15-24-7143	-14B2	14		
15-24-7163	-16B2	16		
15-24-7183	-18B2	18		
NO E.D.P.	-20B2	20		
NO E.D.P.	-22B2	22		
15-24-7243	A-42385-24B2	24	94V-0,BRASS	30 M.I. SEL. GOLD

PART NUMBER	ENG. NUMBER	CKT. SIZE	HSG./TERM. MATERIAL	TERMINAL PLATING
NO E.D.P.	A-42385-02A1	2	94V-2/BRASS	MATTE TIN OVER NICKEL
15-24-7040	-04A1	4		
15-24-7060	-06A1	6		
NO E.D.P.	-08A1	8		
15-24-7100	-10A1	10		
NO E.D.P.	-12A1	12		
15-24-7140	-14A1	14		
15-24-7160	-16A1	16		
15-24-7180	-18A1	18		
NO E.D.P.	-20A1	20		
NO E.D.P.	-22A1	22		
15-24-7240	A-42385-24A1	24	94V-2/BRASS	MATTE TIN OVER NICKEL
NO E.D.P.	A-42385-02A2	2	94V-2/BRASS	30 M.I. SEL. GOLD
15-24-7042	-04A2	4		
15-24-7062	-06A2	6		
NO E.D.P.	-08A2	8		
15-24-7102	-10A2	10		
NO E.D.P.	-12A2	12		
15-24-7142	-14A2	14		
15-24-7162	-16A2	16		
15-24-7182	-18A2	18		
NO E.D.P.	-20A2	20		
NO E.D.P.	-22A2	22		
15-24-7242	A-42385-24A2	24	94V-2/BRASS	30 M.I. SEL. GOLD
NO E.D.P.	A-42385-02C1	2	94V-2/P.B.	MATTE TIN OVER NICKEL
15-24-7044	-04C1	4		
15-24-7064	-06C1	6		
NO E.D.P.	-08C1	8		
15-24-7104	-10C1	10		
NO E.D.P.	-12C1	12		
15-24-7144	-14C1	14		
NO E.D.P.	-16C1	16		
15-24-7184	-18C1	18		
NO E.D.P.	-20C1	20		
NO E.D.P.	-22C1	22		
15-24-7244	A-42385-24C1	24	94V-2/P.B.	MATTE TIN OVER NICKEL
NO E.D.P.	A-42385-02C2	2	94V-2/P.B.	30 M.I. SEL. GOLD
NO E.D.P.	-04C2	4		
NO E.D.P.	-06C2	6		
NO E.D.P.	-08C2	8		
NO E.D.P.	-10C2	10		
NO E.D.P.	-12C2	12		
NO E.D.P.	-14C2	14		
NO E.D.P.	-16C2	16		
NO E.D.P.	-18C2	18		
NO E.D.P.	-20C2	20		
NO E.D.P.	-22C2	22		
NO E.D.P.	A-42385-24C2	24	94V-2/P.B.	30 M.I. SEL. GOLD

**SEE SHEET 1**  
 EC NO: UCP2016-4771  
 DRAWN:CSLAFTER 2016/06/13  
 CHKD:JBELL 2016/13/06  
 APPR:FSMITH 2016/07/19

QUALITY SYMBOLS

GENERAL TOLERANCES (UNLESS SPECIFIED)

	mm	INCH
4 PLACES	± .005	± .0002
3 PLACES	± .010	± .0004
2 PLACES	± .025	± .0015
1 PLACE	± .038	± .0015
0 PLACE	± .050	± .0020

ANGULAR ± 5 °

DRAFT WHERE APPLICABLE MUST REMAIN WITHIN DIMENSIONS

DIMENSION STYLE  
 IN/MM

SCALE 1:1

DESIGN UNITS METRIC

THIRD ANGLE PROJECTION

RECEPTACLE HEADER ASSY  
 MINI-FIT SERIES  
 BLIND MATE

**molex**

SDA-42385-\*

SEE CHART

MATERIAL NO. DOCUMENT NO.

SHEET NO. 3 OF 4

THIS DRAWING CONTAINS INFORMATION THAT IS PROPRIETARY TO MOLEX INCORPORATED AND SHOULD NOT BE USED WITHOUT WRITTEN PERMISSION

PART NUMBER	ENG. NUMBER	CKT. SIZE	HSG./TERM. MATERIAL	TERMINAL PLATING
NO E.D.P.	A-42385-02D4	2	94V-0/P.B.	50 M.I. SEL., GOLD
NO E.D.P.	-04D4	4		
NO E.D.P.	-06D4	6		
NO E.D.P.	-08D4	8		
NO E.D.P.	-10D4	10		
NO E.D.P.	-12D4	12		
NO E.D.P.	-14D4	14		
NO E.D.P.	-16D4	16		
NO E.D.P.	-18D4	18		
NO E.D.P.	-20D4	20		
NO E.D.P.	-22D4	22		
NO E.D.P.	A-42385-24D4	24	94V-0/P.B.	50 M.I. SEL., GOLD

PART NUMBER	ENG. NUMBER	CKT. SIZE	HSG./TERM. MATERIAL	TERMINAL PLATING
NO E.D.P.	A-42385-02C4	2	94V-2/P.B.	50 M.I. SEL., GOLD
NO E.D.P.	-04C4	4		
NO E.D.P.	-06C4	6		
NO E.D.P.	-08C4	8		
NO E.D.P.	-10C4	10		
NO E.D.P.	-12C4	12		
NO E.D.P.	-14C4	14		
NO E.D.P.	-16C4	16		
NO E.D.P.	-18C4	18		
NO E.D.P.	-20C4	20		
NO E.D.P.	-22C4	22		
NO E.D.P.	A-42385-24C4	24	94V-2/P.B.	50 M.I. SEL., GOLD

<b>SEE SHEET 1</b> EC NO: UCP2016-4771 DRWNG:SLAFTR 2016/06/13 CHKD:JBELL 2016/13/06 APPR:FSMITH 2016/07/19	QUALITY SYMBOLS 	GENERAL TOLERANCES (UNLESS SPECIFIED) <table border="1"> <thead> <tr> <th></th> <th>mm</th> <th>INCH</th> </tr> </thead> <tbody> <tr><td>4 PLACES</td><td>± .005</td><td>± .0002</td></tr> <tr><td>3 PLACES</td><td>± .005</td><td>± .010</td></tr> <tr><td>2 PLACES</td><td>± 0.25</td><td>± .015</td></tr> <tr><td>1 PLACE</td><td>± 0.38</td><td>± .015</td></tr> <tr><td>0 PLACE</td><td>±</td><td>±</td></tr> </tbody> </table>		mm	INCH	4 PLACES	± .005	± .0002	3 PLACES	± .005	± .010	2 PLACES	± 0.25	± .015	1 PLACE	± 0.38	± .015	0 PLACE	±	±	DIMENSION STYLE <b>IN/MM</b> DRAWN BY DATE RJF 1988/12/09 CHECKED BY DATE JTR 1988/12/09 APPROVED BY DATE FSMITH 2010/11/22	SCALE DESIGN UNITS <b>METRIC</b> THIRD ANGLE PROJECTION	TITLE <b>RECEPTACLE HEADER ASSY          MINI-FIT SERIES          BLIND MATE</b> 	DOCUMENT NO. <b>SDA-42385-*</b> SHEET NO. <b>4 OF 4</b>
		mm	INCH																					
	4 PLACES	± .005	± .0002																					
	3 PLACES	± .005	± .010																					
	2 PLACES	± 0.25	± .015																					
1 PLACE	± 0.38	± .015																						
0 PLACE	±	±																						
DRAFT WHERE APPLICABLE MUST REMAIN WITHIN DIMENSIONS		MATERIAL NO. <b>SEE CHART</b>	THIS DRAWING CONTAINS INFORMATION THAT IS PROPRIETARY TO MOLEX INCORPORATED AND SHOULD NOT BE USED WITHOUT WRITTEN PERMISSION																					
ANGULAR ± 5 °																								
SIZE 																								
REV <b>X5</b>																								