



产品编号 : 15311046

系列号 : 5219

Product Category : PCB Headers and Receptacles

Product Description : 2.36mm Diameter Standard .093" Pin and Socket Header, Vertical, with Beveled Plastic Peg, 4 Circuits

状态 : Active

工程编号 : 5219-04A

文件和资源

图纸

图纸 015311046_sd.pdf

包装设计图 PK-5219-002-001.pdf

3D 模型和设计文件


3D模型 015311046_stp.zip

规格

产品规格 TS-5219-002-001.pdf

产物环境合规

合规

GADSL/IMDS	Compliant with Exemption 44; 33
China RoHS	
EU ELV	Not Relevant
Low-Halogen Status	Low-Halogen per IEC 61249-2-21
REACH SVHC	Not Contained per D(2023)8585-DC (23 Jan 2024)
EU RoHS	Compliant per EU 2015/863

多部分产品合规性声明

- Eu RoHS
- REACH SVHC
- Low-Halogen

- IPC 1752A Class C
- IPC 1752A Class D
- Molex Product Compliance Declaration
- IEC-62474

产品详情

常规

状态	活动
类别	PCB Headers and Receptacles
系列	5219
说明	2.36mm Diameter Standard .093" Pin and Socket Header, Vertical, with Beveled Plastic Peg, 4 Circuits
应用	Power, Wire-to-Board
元件类型	PCB Header
产品系列	Standard .093" Pin and Socket Connectors
产品名称	Standard .093"
UPC	800753622128

机构

CSA	LR19980
-----	---------

电气

每触点最大电流	9.0A
电压 - 最大	600V

物理

断开	否
回路数 (已载入)	4
电路数 (最多)	4
耐用性 (插拔次数) - 最多次数	30
先接后断	否
阻燃性	94V-2
符合灼热丝规范	否
可配插产品指南	否
插接极性	无

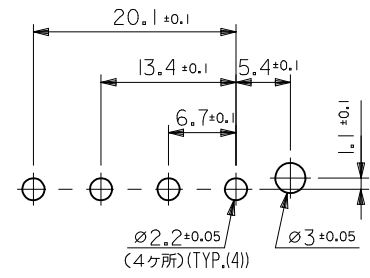
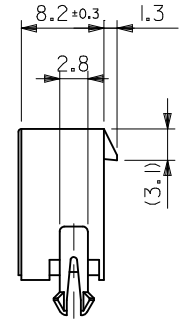
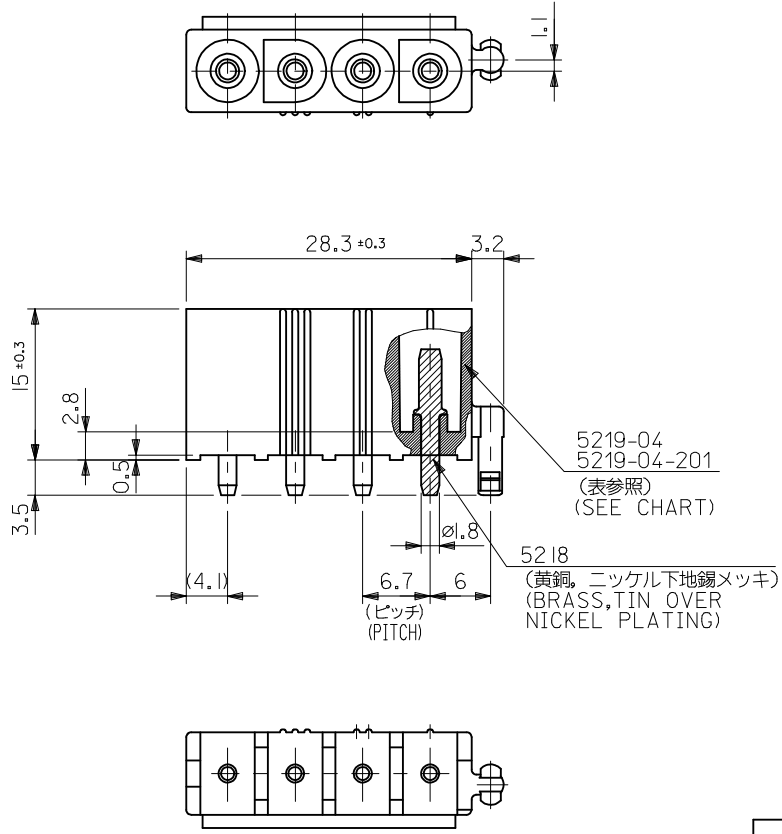
锁定插接部位	是
材料 - 接合部位电镀	Tin
材料 - 终端电镀	Tin
净重	3551.004/mg
行数	1
方向	垂直
包装形式	Bag
PCB 定位器	是
PCB 保持力	是
推荐的 PCB 厚度	1.60mm
间距 - 插配接口	6.70mm
有极性的插配件	是
PCB 极性	是
有护墙的	Fully
可堆叠的	否
运行温度范围	-40° to +105° C
终端界面类型	Through Hole

可配插/可连接使用的产品

可配插部件

描述	产品编号
Standard .093" Pin and Socket Connector Housings	<u>3191</u>

注記：
 NOTES:
 1. 適合リセプタクルハウジング: 3191-04R*
 TO BE MATED WITH RECEPTACLE HOUSING :
 3191-04R*

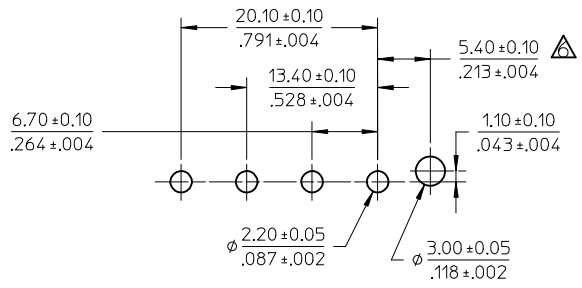
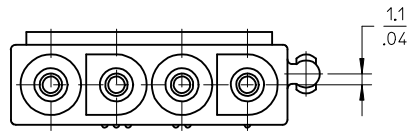


基板取付穴推奨寸法
 RECOMMENDED P.C. BOARD HOLE DIMENSIONS

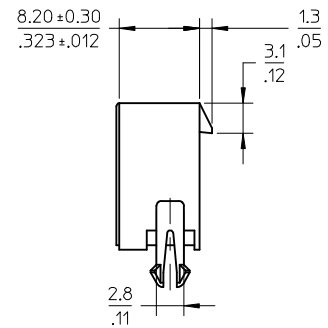
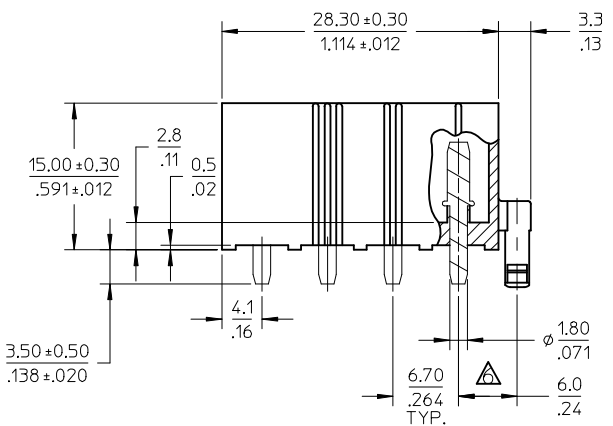
ENG. NO.	ORDER NO.	PIN STYLE	HSG. MATERIAL	PIN PLATING
5219-04A	15-31-1046	SOLID	94V-2 NYLON	TIN
5219-04B	15-31-3046	HOLLOW	94V-2 NYLON	TIN
5219-04A-201	39-28-7048	SOLID	94V-0 NYLON	TIN

ADD P/N 15-31-3046 EC NO: UCP2014-1950 DRWN: AELHAG 2013/12/16 CHKD: JBELL 2013/12/16 APPR: FSMITH 2013/12/19	GENERAL TOLERANCES (UNLESS SPECIFIED)		DIMENSION STYLE MM ONLY		SCALE 2:1	DESIGN UNITS METRIC	THIRD ANGLE PROJECTION
	10 UNDER	±0.2	DRAWN BY K. KOHAMA	DATE '00/05/29	TITLE NEW INTERNATIONAL CONN 4 POS. HEADER MOLEX INCORPORATED		
	10 OVER 30 UNDER	±0.25	CHECKED BY M. FUKUSHIMA	DATE '00/05/29			
	30 OVER	±0.3	APPROVED BY M. FUKUSHIMA	DATE '00/05/29			
ANGULAR	±3 °	MATERIAL NO. SEE CHART		DOCUMENT NO. SD-5219-003	SHEET NO. 1 OF 1		
DRAFT WHERE APPLICABLE MUST REMAIN WITHIN DIMENSIONS		THIS DRAWING CONTAINS INFORMATION THAT IS PROPRIETARY TO MOLEX INCORPORATED AND SHOULD NOT BE USED WITHOUT WRITTEN PERMISSION					

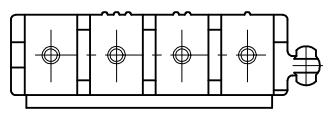
10	9	8	7	6	5	4	3	2	1
ENG. NO.	ORDER NO.	PIN STYLE	HSG. MATERIAL	PIN PLATING					
5219-04A	15-31-1046	SOLID	94V-2 NYLON	TIN					
5219-04B	15-31-3046	HOLLOW	94V-2 NYLON	TIN					



RECOMMENDED P.C.B. HOLE DIM.



- NOTES:
- MATERIAL:
HOUSING: NYLON 6/6, UL94V-2, COLOR: NATURAL
TERMINAL: BRASS
 - FINISH: 0.000003/(.0000001) MIN. TIN OVERALL OVER
0.000001/(.00000004) MIN. NICKEL OVERALL
 - PRODUCT SPECIFICATION: NONE
 - PACKAGING: PK-5219-002
 - MATES WITH: 3191-04R SERIES
 - DIFFERENCE OF DIMENSION IS INTENTIONAL TO PREVENT PART RISING FROM P.C.B.
 - PARTS CONFORM TO CLASS 'B' REQUIREMENTS OF COSMETIC SPECIFICATION PS-45499-002.



CORRECT 2.8 DIM. EC NO: UCP2014-4764 DRWN: JDOX 2014/05/14 CHKD:MKIPPER 2014/05/14 APPR:FSMITH 2014/05/27	QUALITY SYMBOLS ▽=0 ▽=0 ▽=0	GENERAL TOLERANCES (UNLESS SPECIFIED)		DIMENSION STYLE	SCALE	DESIGN UNITS	THIRD ANGLE PROJECTION NEW INTERNATIONAL CONN. HEADER AND ASSY molex	
				MM/IN	2:1	METRIC		
				DRAWN BY	DATE	TITLE		
				CHECKED BY	DATE			
				APPROVED BY	DATE			
		ANGULAR ± 1 °		MATERIAL NO.	DOCUMENT NO.	SHEET NO.		
		DRAFT WHERE APPLICABLE MUST REMAIN WITHIN DIMENSIONS		SEE CHART	SD-5219-04A*	1 OF 1		
		THIS DRAWING CONTAINS INFORMATION THAT IS PROPRIETARY TO MOLEX INCORPORATED AND SHOULD NOT BE USED WITHOUT WRITTEN PERMISSION						