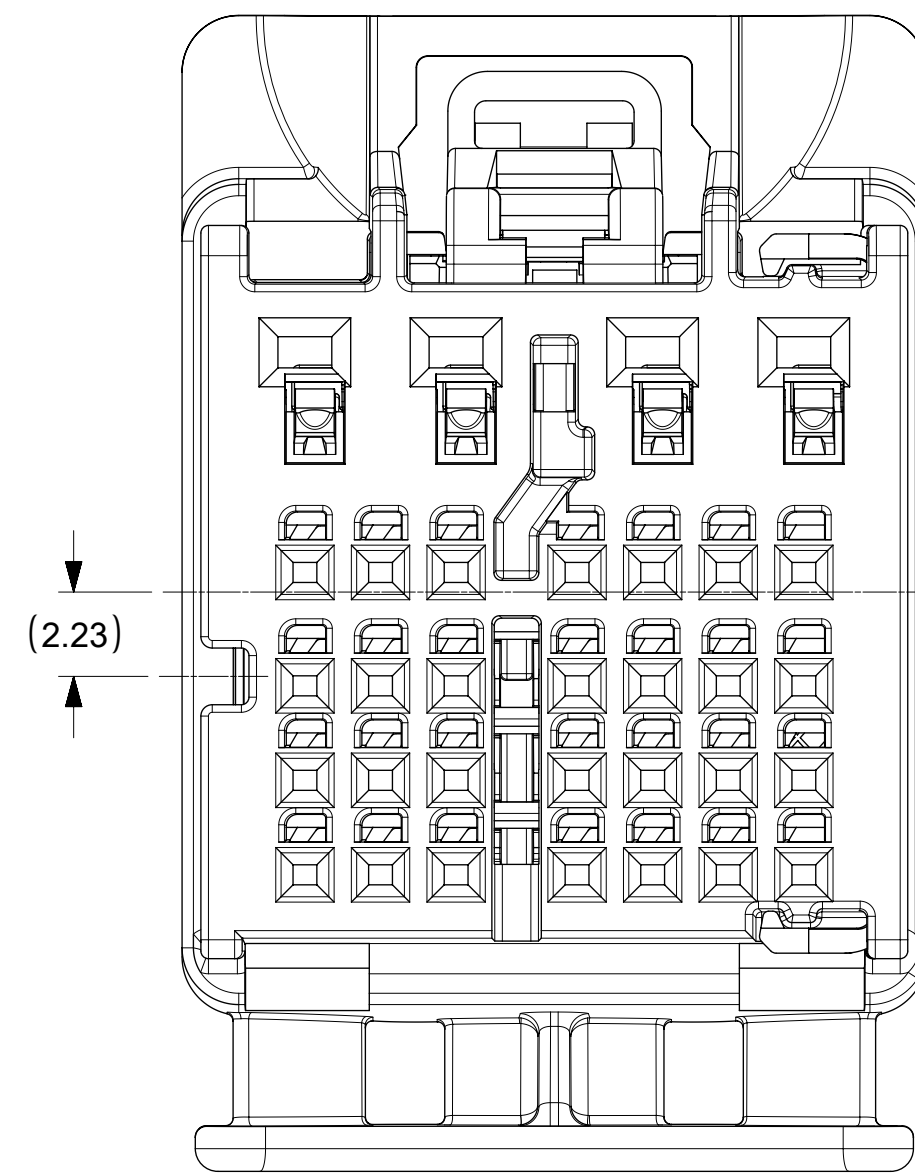
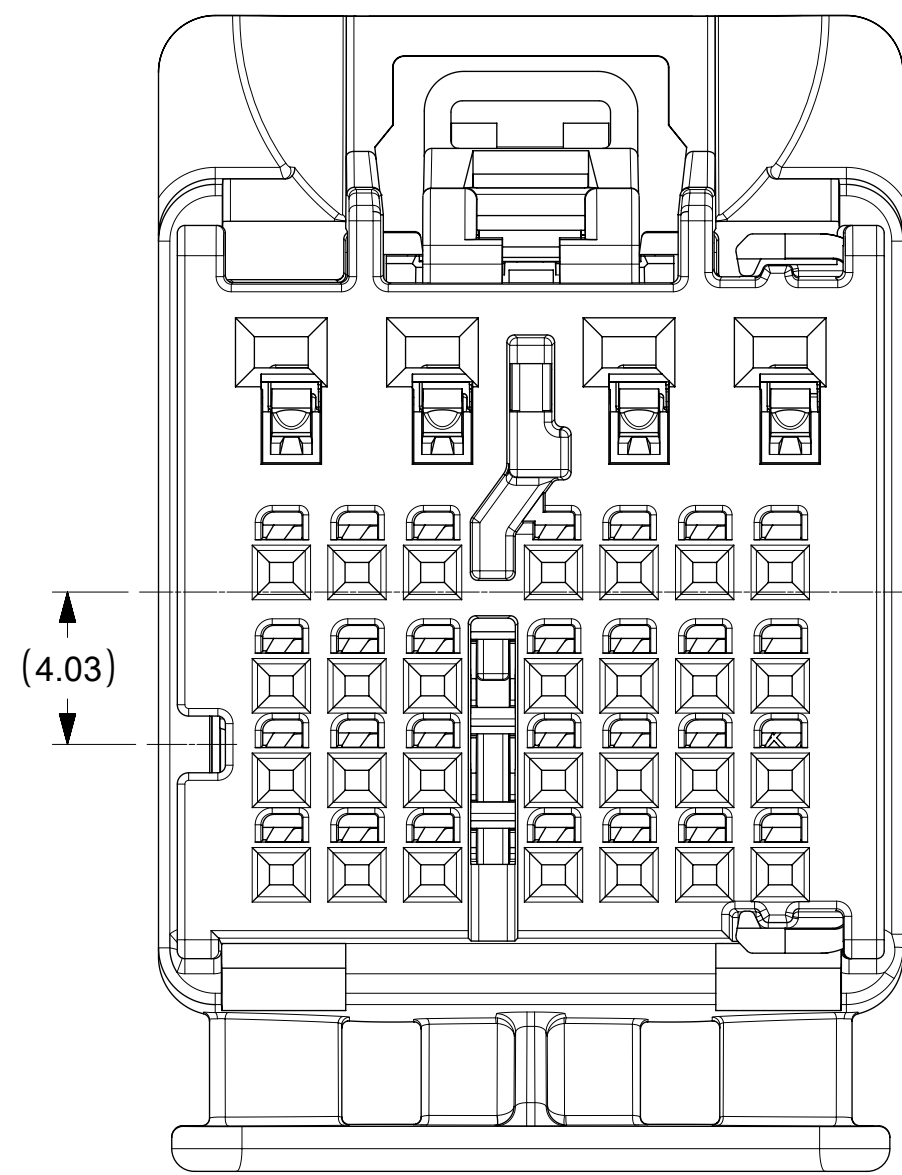


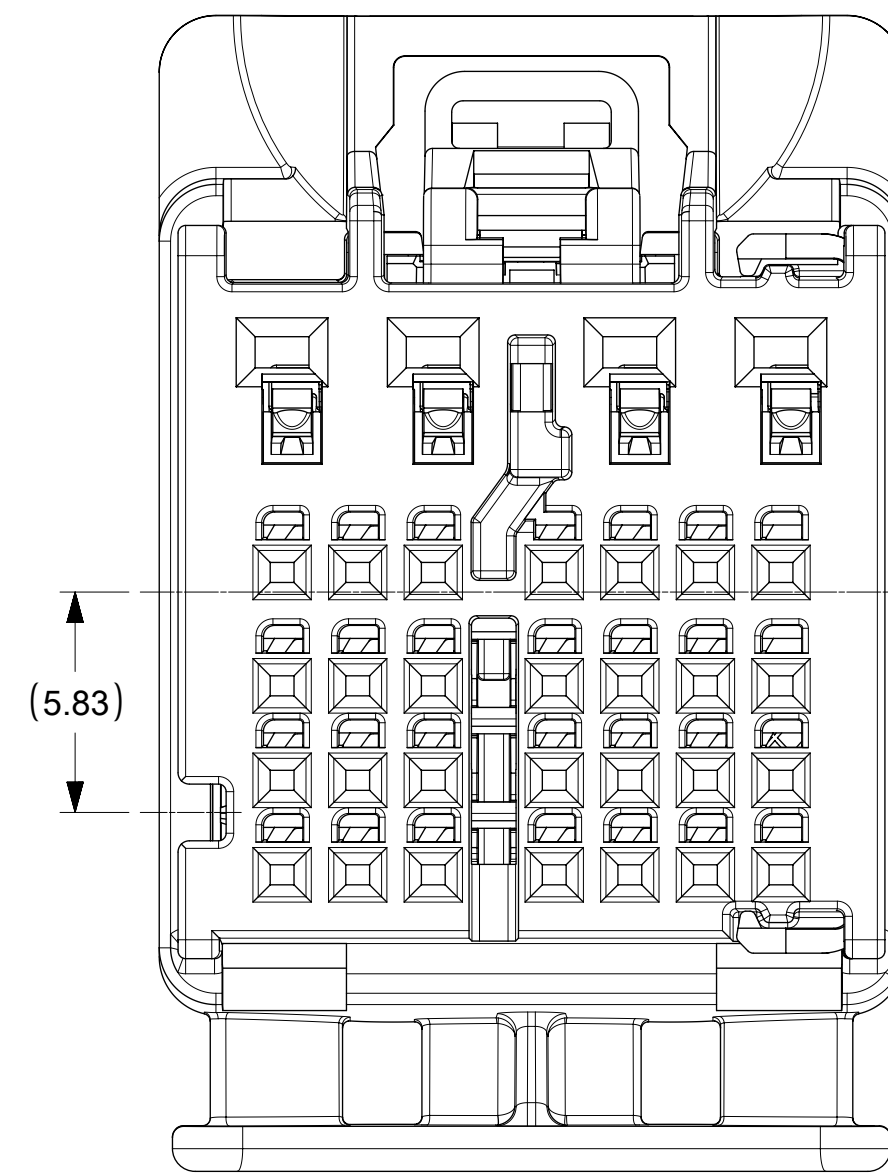
32WAY CONNECTOR ASSEMBLY  
KEY 1 & KEY 5



32WAY CONNECTOR ASSEMBLY  
KEY 2 & KEY 6



32WAY CONNECTOR ASSEMBLY  
KEY 3 & KEY 7



32WAY CONNECTOR ASSEMBLY  
KEY 4 & KEY 8

NOTES: VALID UNLESS OTHERWISE SPECIFIED

1. GENERAL:

- a. APPLICATION SPECIFICATION SEE: AS-160014-001
- b. PRODUCT SPECIFICATION SEE: PS-160014-001
- c. PACKAGING SPECIFICATION PER MOLEX DRAWING: PK-31302-266
- d. PARTS MUST BE IN COMPLIANCE TO MOLEX CHEMICAL SUBSTANCES FOR PRODUCTS AND PACKAGING SPECIFICATION: ES-40000-5016
- e. DATA MUST BE SUBMITTED UNDER THE MOLEX PART NUMBER TO IMDS (COMPANY ID#13255)

2. DESIGN - MATERIALS:

- a. SEE BOM TABLE

3. DESIGN - GEOMETRY:

- a. ALL GRAPHIC DATA IS BASIC (NO TOLERANCE) AND MUST BE TAKEN FROM THE DATA FILE AT ITS LATEST REVISION.
- b. PRODUCT DESIGN MODEL NUMBER(S): SEE BOM TABLE
- c. GEOMETRIC DIMENSIONS AND TOLERANCES PER ASME Y14.5M-2009
- d. EDGES AND UNDIMENSIONED DETAILS PER ISO13715
- e. CORNERS SHOWN AS SHARP TO BE R 0.2 MAX.
- f. MARKED TEXT TO INCLUDE RECYCLING CODE, CAVITY ID, VENDOR IDENTIFICATION AND CUSTOMER MATERIAL NUMBER.
  - 1. LASER ETCHED DATE CODE
    - 1ST THROUGH 2ND DIGIT = CALENDAR YEAR
    - 3RD THROUGH 5TH DIGIT = "DAY #" OF YEAR
    - 6TH THROUGH 7TH DIGIT = HOUR OF DAY
    - 8TH THROUGH 9TH DIGIT = MINUTE OF HOUR
    - 10TH THROUGH 11TH DIGIT = SECOND OF MINUTE

4. DESIGN - MANUFACTURING:

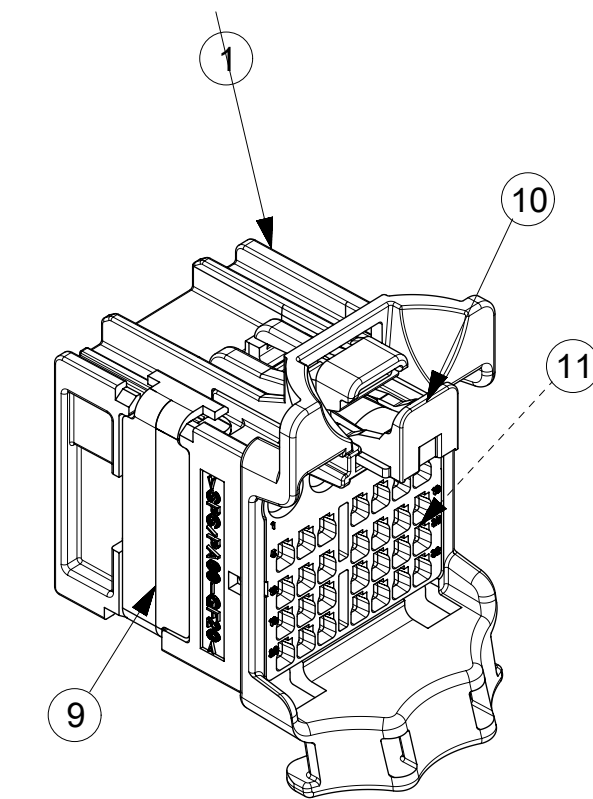
- a. VISUAL DEFECTS SHALL MEET COSMETIC STANDARD PS-45499-002 (Class B)

PART NUMBER	PLATING	SUPPLIER	WIRE GAGE (mm <sup>2</sup> )	TERMINAL FAMILY	WIRE SPECIFICATION
200096-0101	TIN PLATING	MOLEX	0.35	TAK FAMILY (0.5 mm)	VW 60306 OR GMW 15626 (SEE APPLICATION SPECIFICATION FOR MORE DETAILS)
200096-0201			0.13		
2272196-2		TE	0.35	Generation 50 Locking Lance (0.5mm)	SAE/ J1128 THIN WALL INSULATION
2272196-1			0.13		
35072403		DELPHI	0.35 - 0.5	TAXI TERM OCS 1.2	GMW 15626 INSULATION TYPE FLR (REGULAR THIN WALL)
35072405			0.8 - 1.0		
35072406			1.25 - 1.5		
35072404			0.75 - 0.8		
SMSA-A031T-M1.2		JST	0.5 - 0.75	MSA 1.2mm TERMINAL	
SMSA-A041T-M1.2			1.0 - 1.5		

ITEM	DESCRIPTION	COLOR	RECYCLING CODE	WEIGHT (GRAMS)	RIB OPTION	NO OF ITEMS REQUIRED														
1	OUTER SHROUD - KEY 1	BLACK	SPS/PA66-GF20	3.2	A	1														
2	OUTER SHROUD - KEY 2	BLUE	SPS/PA66-GF20	3.2	A		1													
3	OUTER SHROUD - KEY 3	DARK GRAY	SPS/PA66-GF20	3.2	A			1												
4	OUTER SHROUD - KEY 4	PURPLE C	SPS/PA66-GF20	3.2	A				1											
5	OUTER SHROUD - KEY 5	PINK B	SPS/PA66-GF20	3.2	B					1										
6	OUTER SHROUD - KEY 6	TBD	SPS/PA66-GF20	3.2	B						1									
7	OUTER SHROUD - KEY 7	LIGHT BROWN	SPS/PA66-GF20	3.2	B							1								
8	OUTER SHROUD - KEY 8	TBD	SPS/PA66-GF20	3.2	B								1							
9	ISL	NATURAL	SPS-GF30	0.37	N/A	1	1	1	1	1	1	1	1	1	1	1	1	1	1	1
10	CPA	NATURAL	PA66-GF50	0.08	N/A	1	1	1	1	1	1	1	1	1	1	1	1	1	1	1
11	INNER HOUSING	STONE GRAY	SPS/PA66-GF20	1.75	N/A	1	1	1	1											
12	INNER HOUSING	STONE GRAY	SPS/PA66-GF20	1.75	N/A					1	1	1	1							

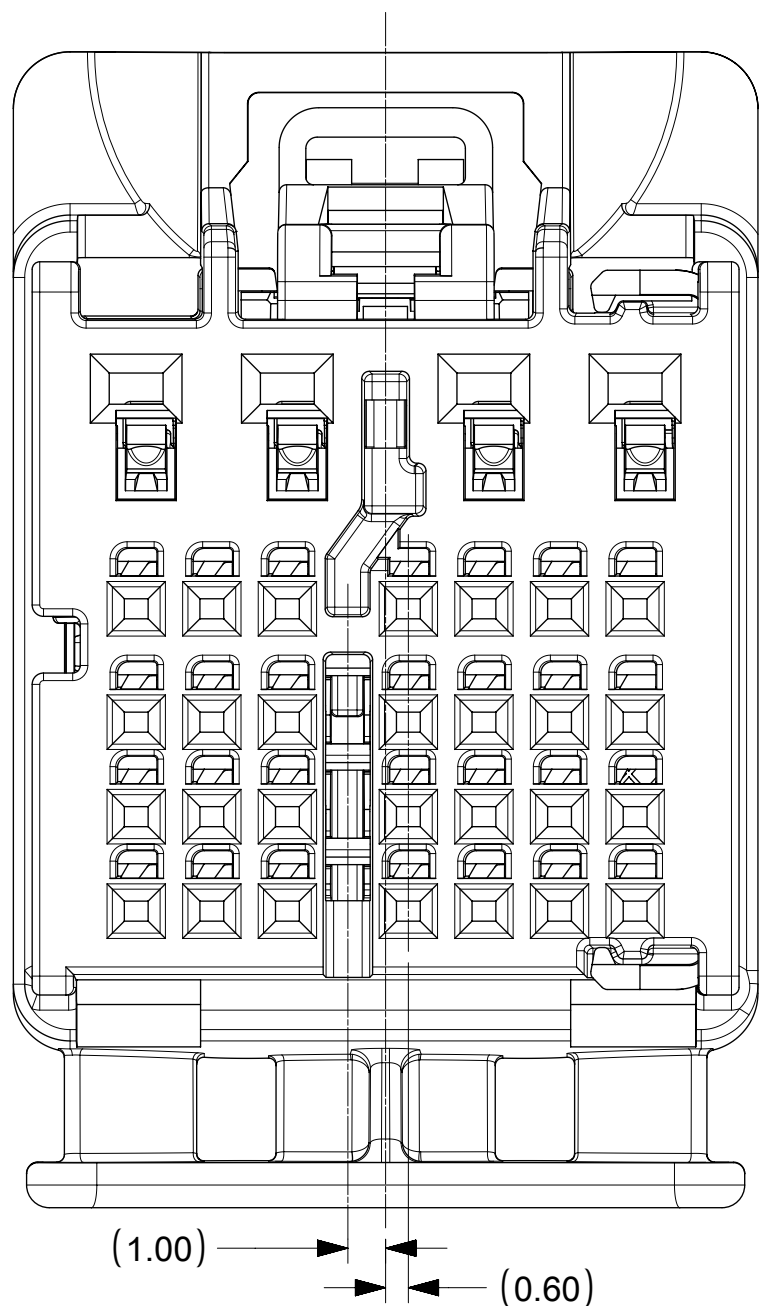
MOLEX ASSEMBLY PART NO.'S	
1600280001	KEY 1
1600280002	KEY 2
1600280003	KEY 3
1600280004	KEY 4
1600280005	KEY 5
1600280006	KEY 6
1600280007	KEY 7
1600280008	KEY 8

B1	UPDATED WIRE GAGE RANGE OF 1.20MM TERMINAL HTGUO 02/20/2019
B	ADD TAK50 TERMINAL OPTS JCONDON 09/11/2017
A1	NX RE-MASTERING SAP # 10816434
A	UAU2016-0946 SAP # 10778144 JCONDON 05/25/2016
4	UAU2015-1899 SAP # 10698159 JCONDON 06/17/2015
3	UAU2015-1302 SAP # 10694008 JCONDON 05/29/2015
2	UAU2015-1606 SAP # 10685685 JCONDON 04/23/2015
1	UAU2014-1923 SAP # XXXXXXXX CBOWDEN 12/05/2013

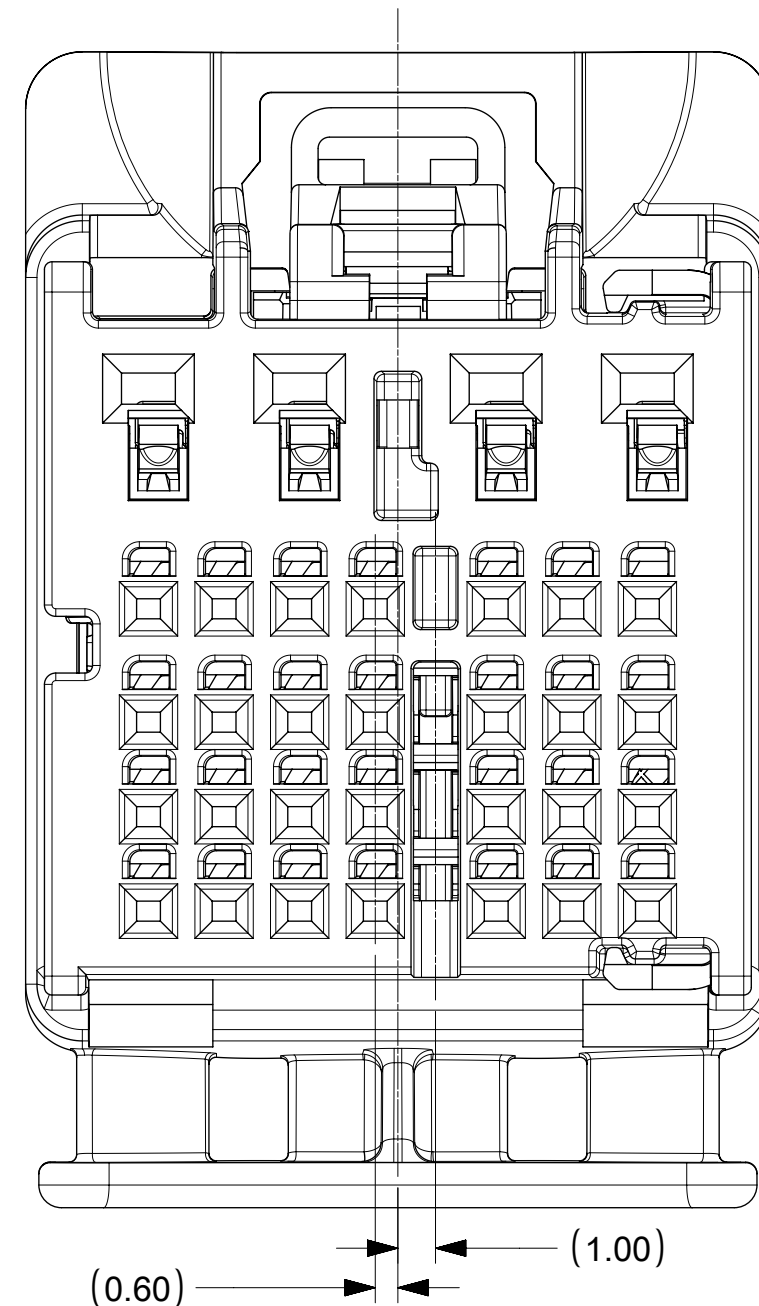


SCALE 2:1

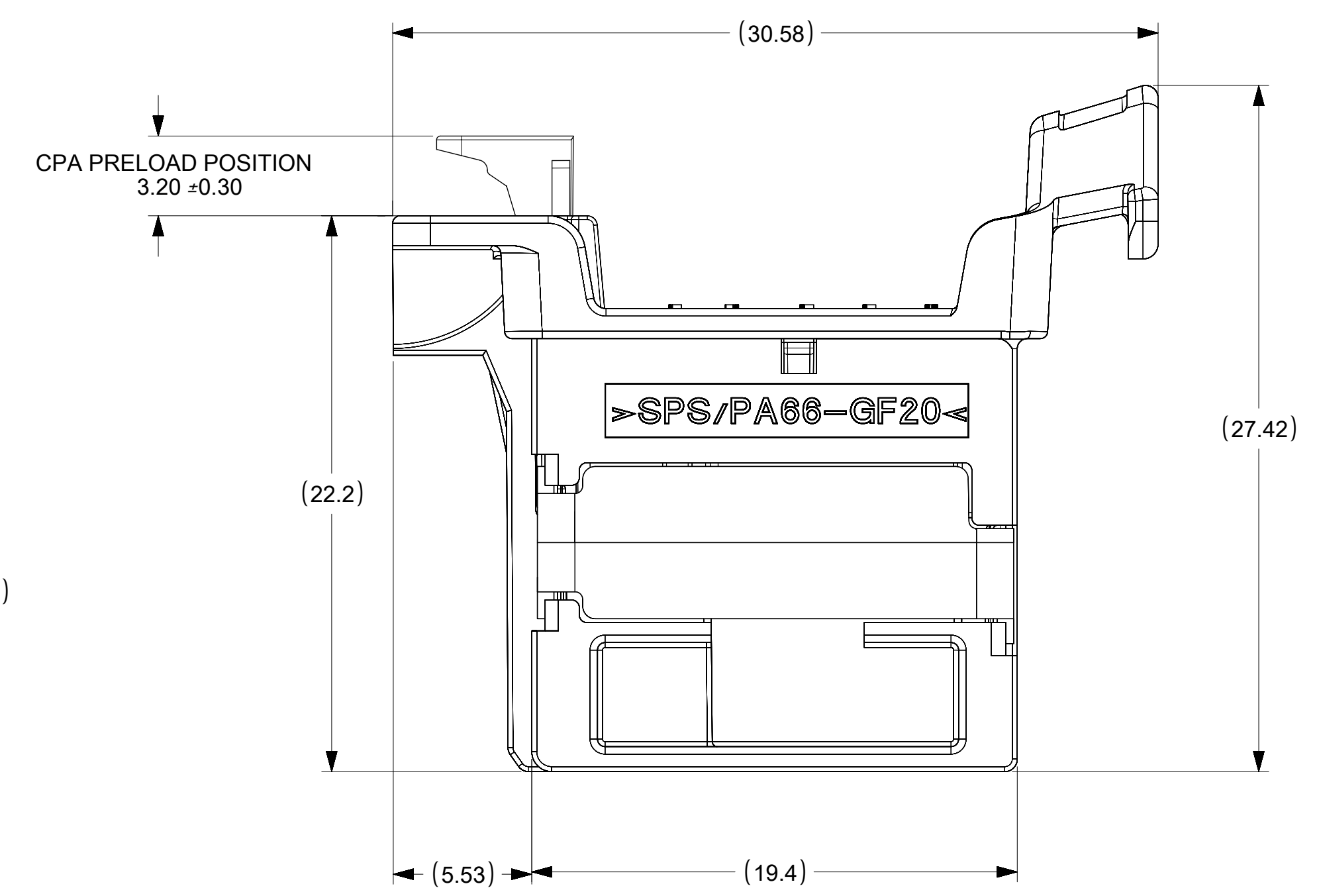
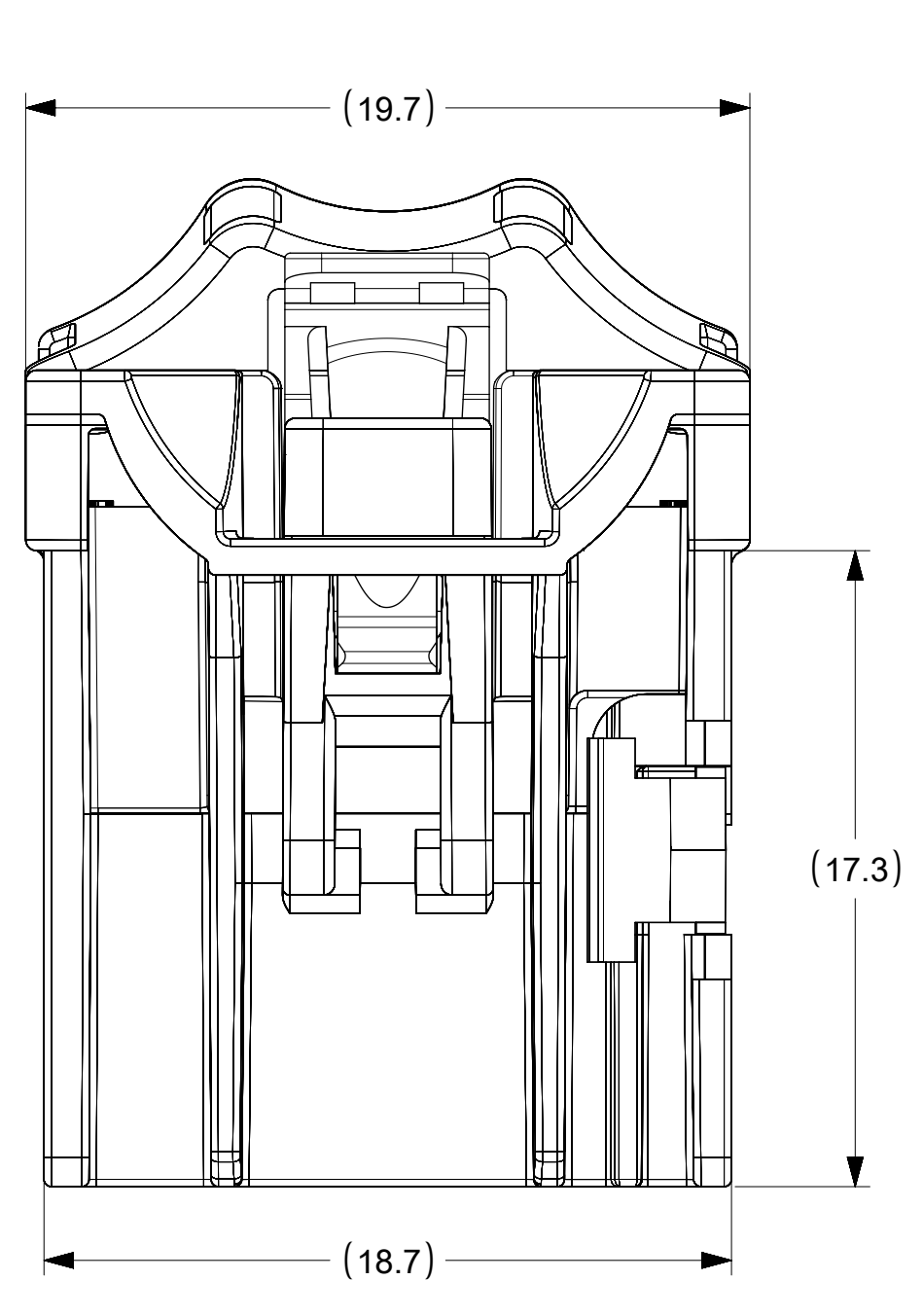
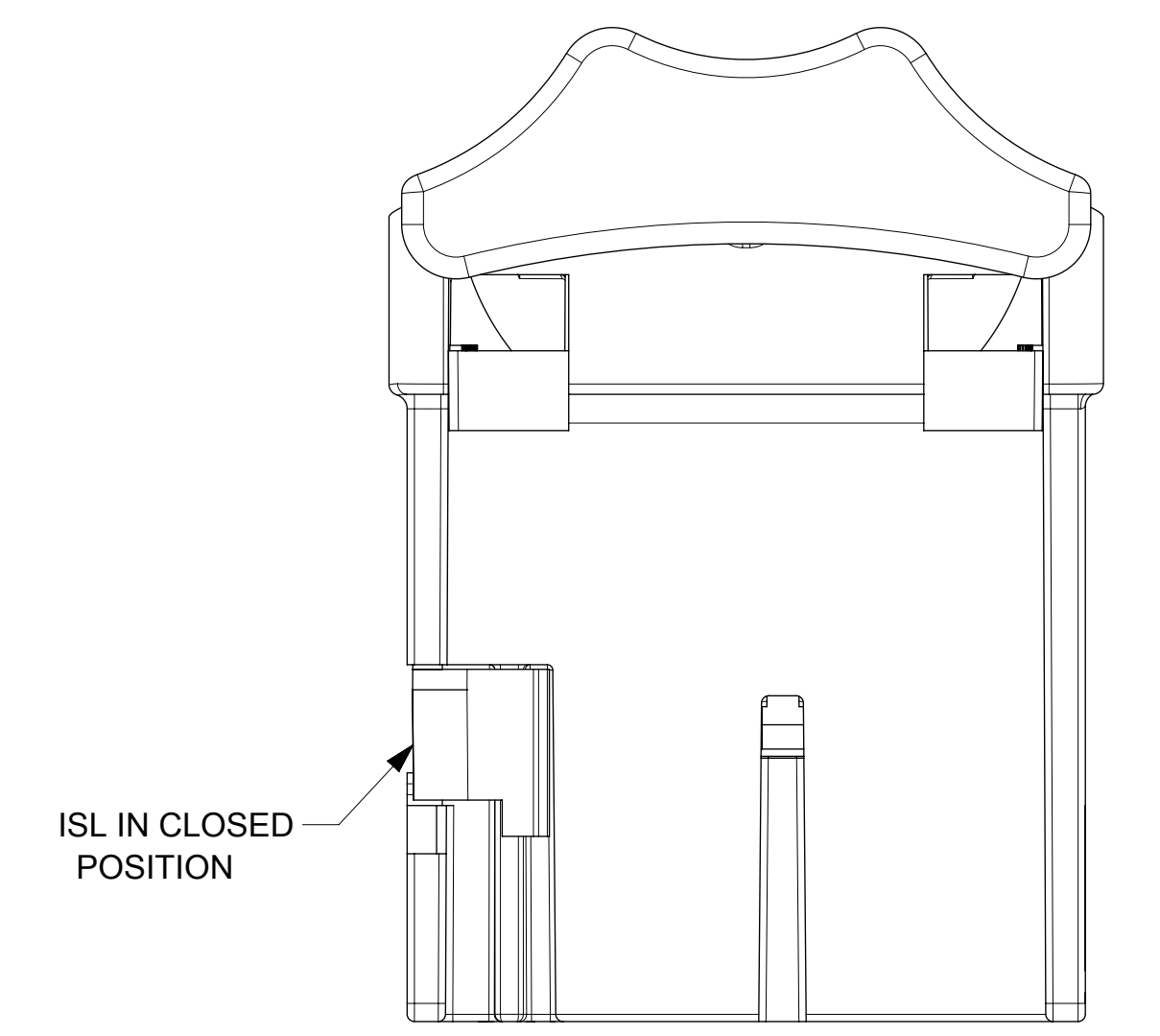
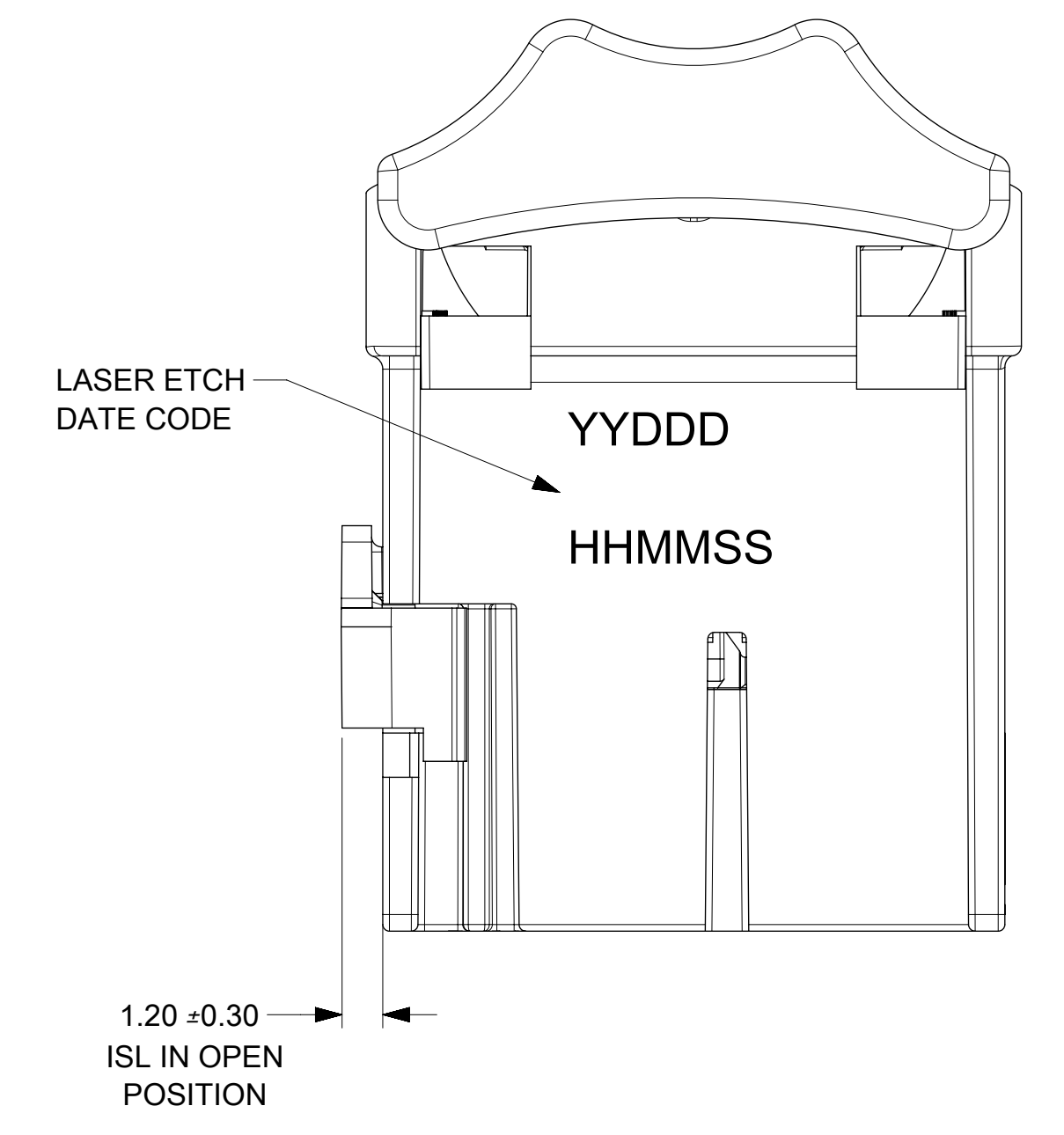
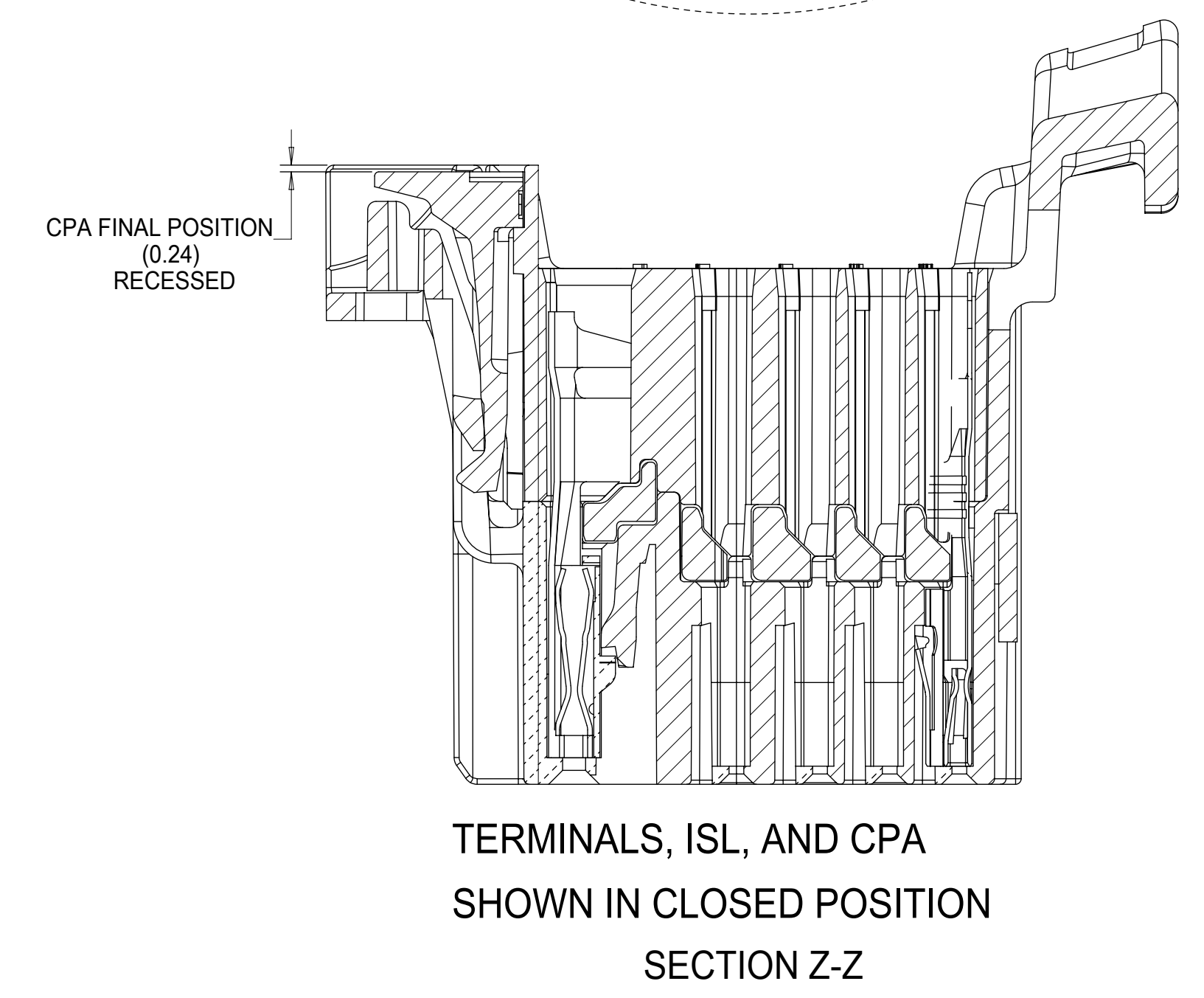
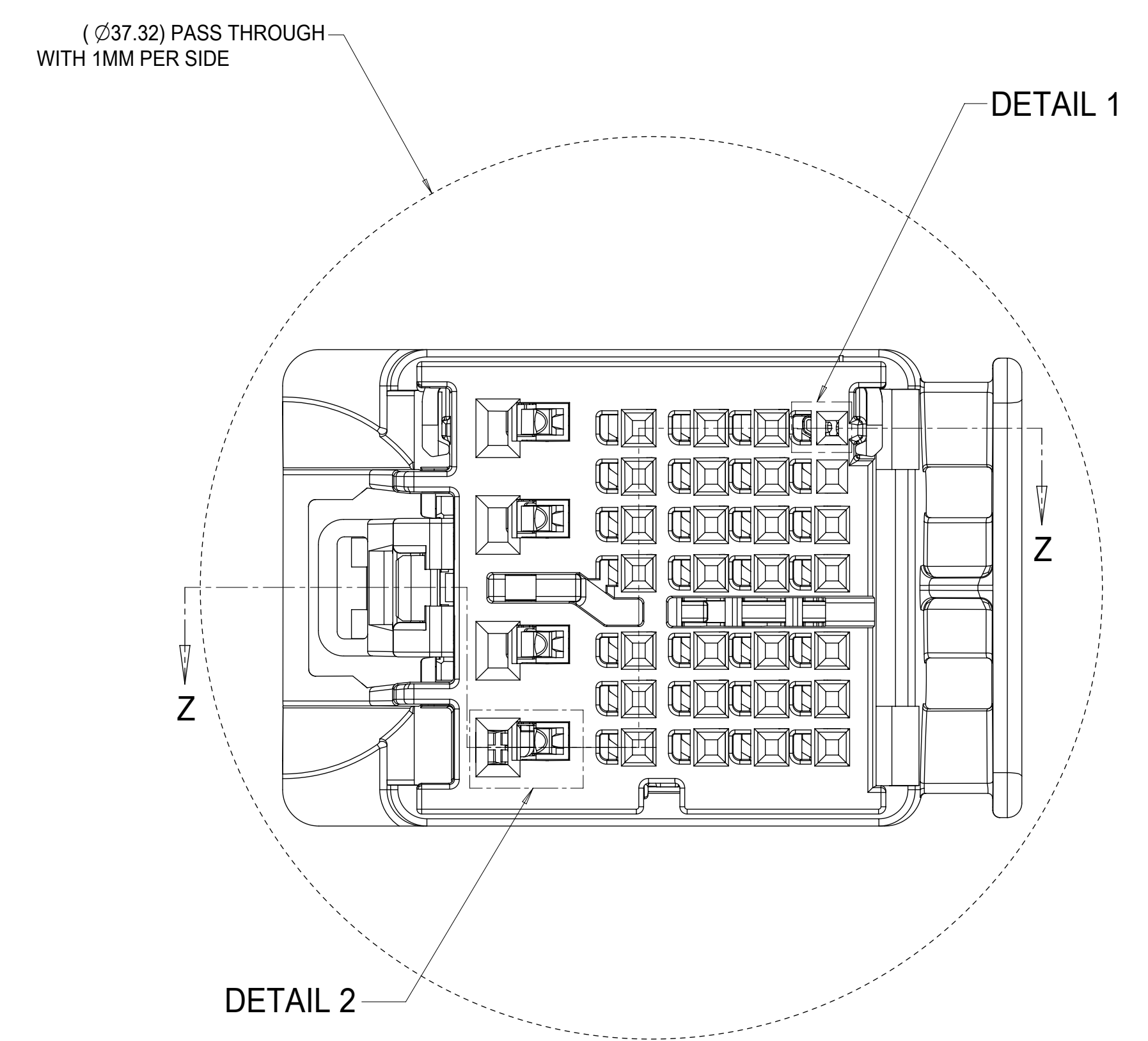
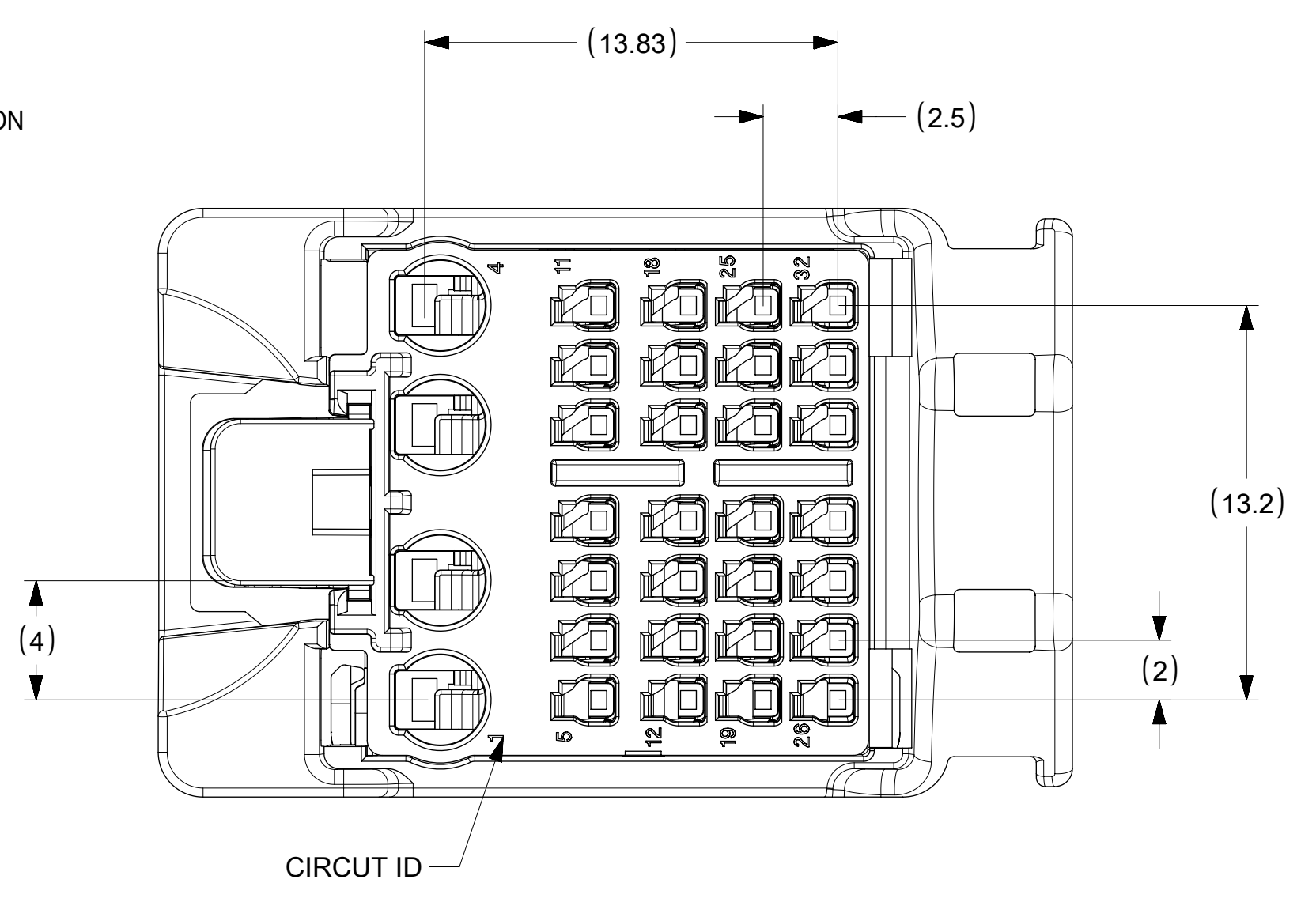
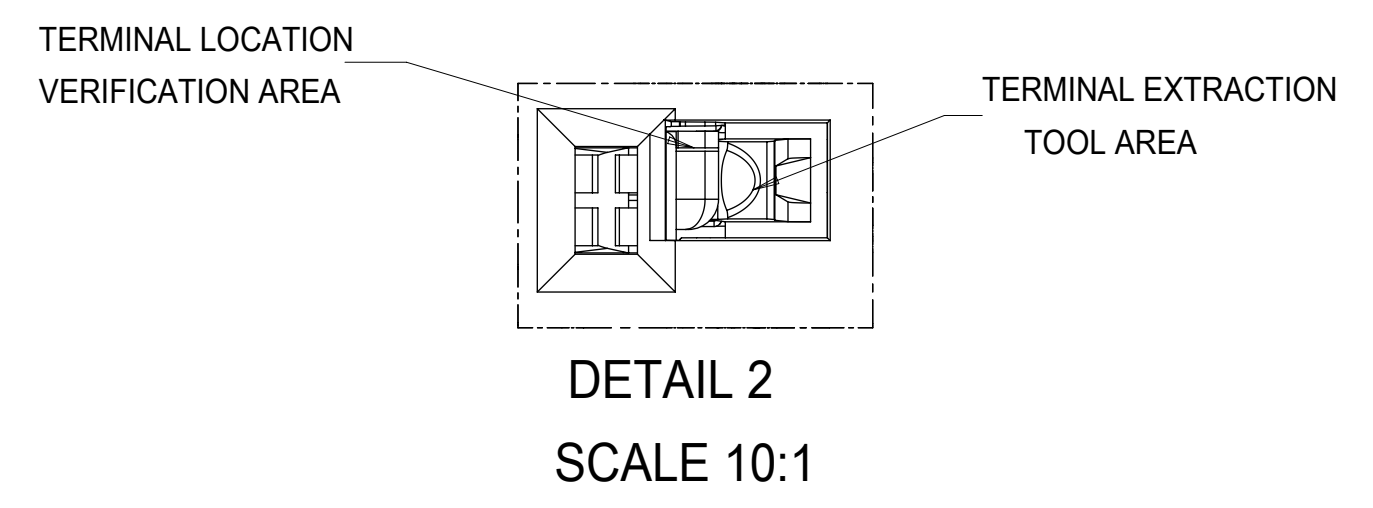
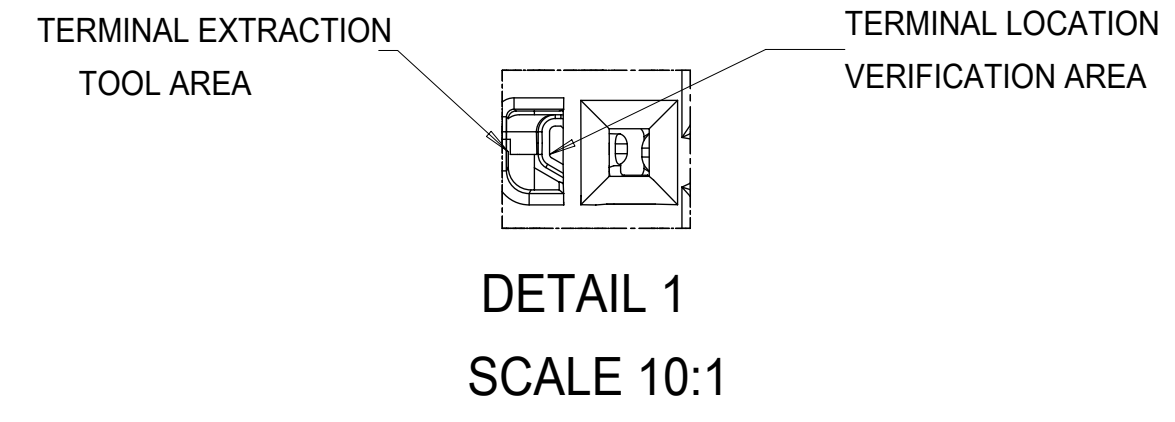
RIB OPTION A



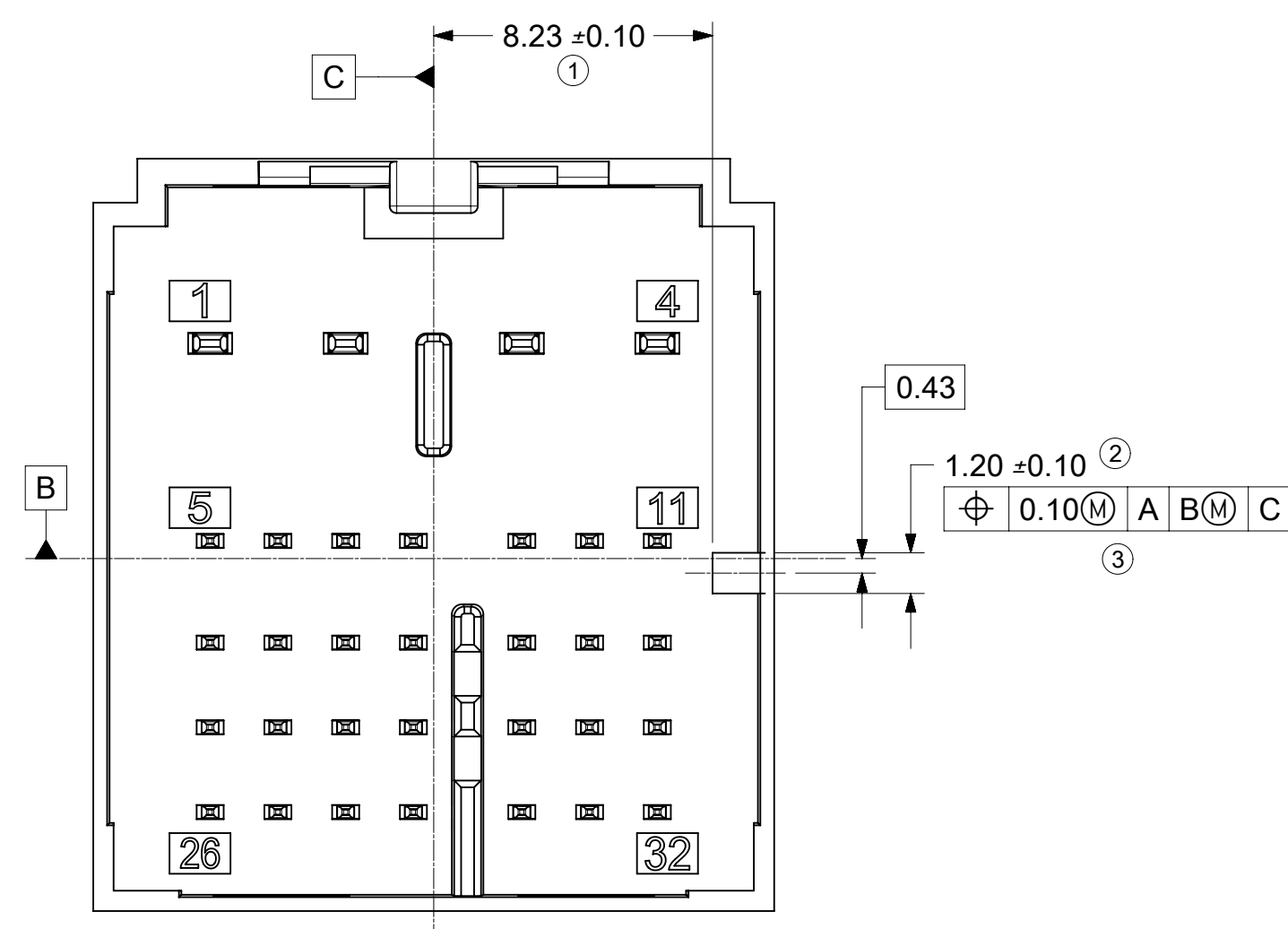
RIB OPTION B



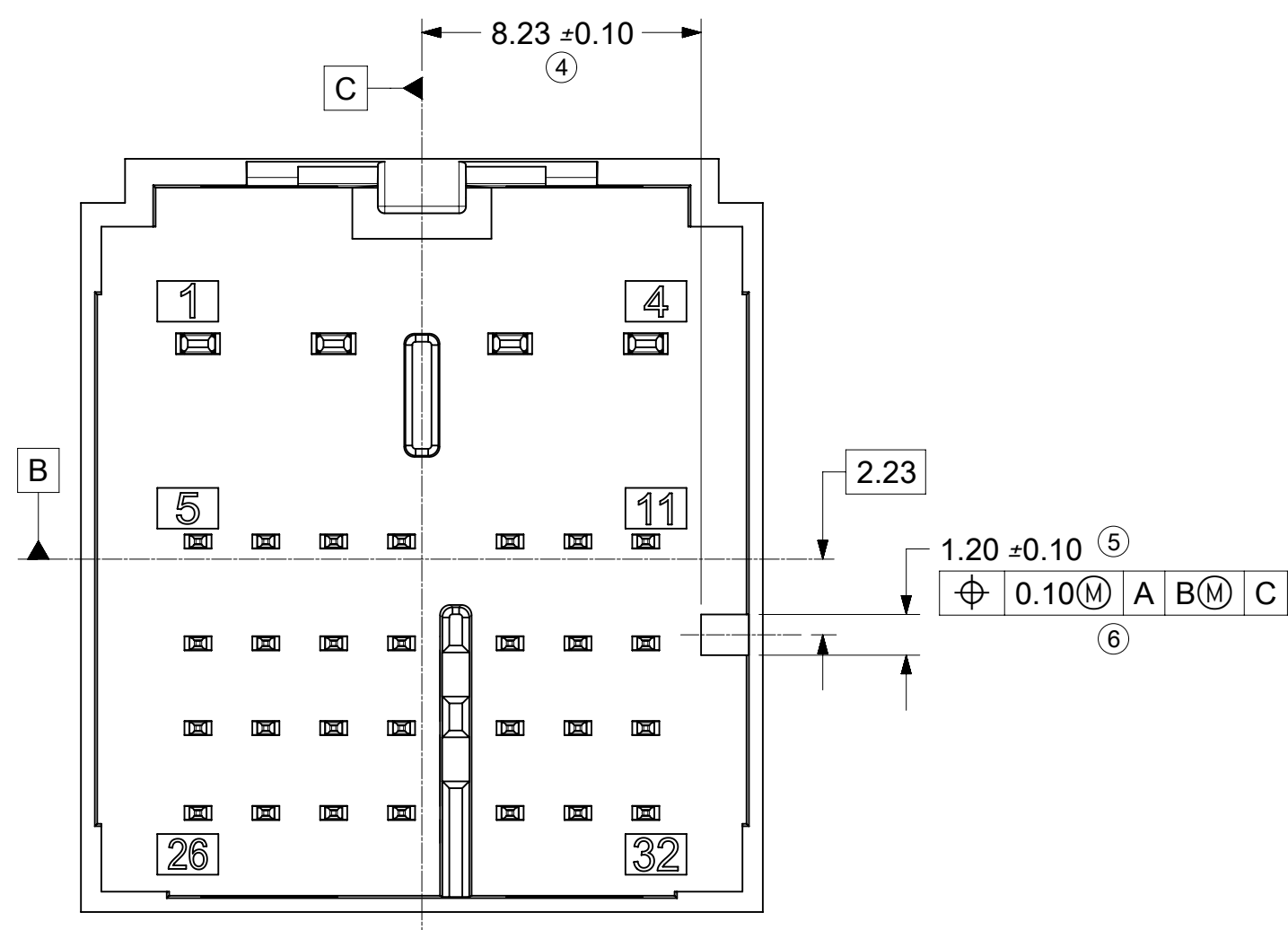
SYMBOLS	THIS DRAWING CONTAINS INFORMATION THAT IS PROPRIETARY TO MOLEX ELECTRONIC TECHNOLOGIES, LLC AND SHOULD NOT BE USED WITHOUT WRITTEN PERMISSION	
DIMENSION UNITS	SCALE	CURRENT REV DESC: SEE TABLE
▽ = 0	mm	
▽ = 0	GENERAL TOLERANCES (UNLESS SPECIFIED)	
▽ = 0	ANGULAR TOL ± 3.0°	
▽ = 0	4 PLACES ±	EC NO: 622293
▽ = 0	3 PLACES ±	DRWN: HTGUO02 2019/08/13
▽ = 0	2 PLACES ± 0.3	CHK'D: JCONDON 2019/08/13
▽ = 0	1 PLACE ± 0.3	APPR: JCONDON 2019/08/13
▽ = 0	0 PLACES ± 0.3	INITIAL REVISION:
▽ = 0	DRAFT WHERE APPLICABLE MUST REMAIN WITHIN DIMENSIONS	DRWN: VYARAPPA 2017/02/07
▽ = 0		APPR: KDEKOSKI 2017/03/23
THIRD ANGLE PROJECTION	DRAWING	SERIES
	D-SIZE	160028
MATERIAL NUMBER		CUSTOMER
SEE CHART		GENERAL MARKET
DOCUMENT NUMBER		DOC TYPE DOC PART REVISION
SD-160028-0001		PSD 000 B2
SHEET NUMBER		1 OF 2



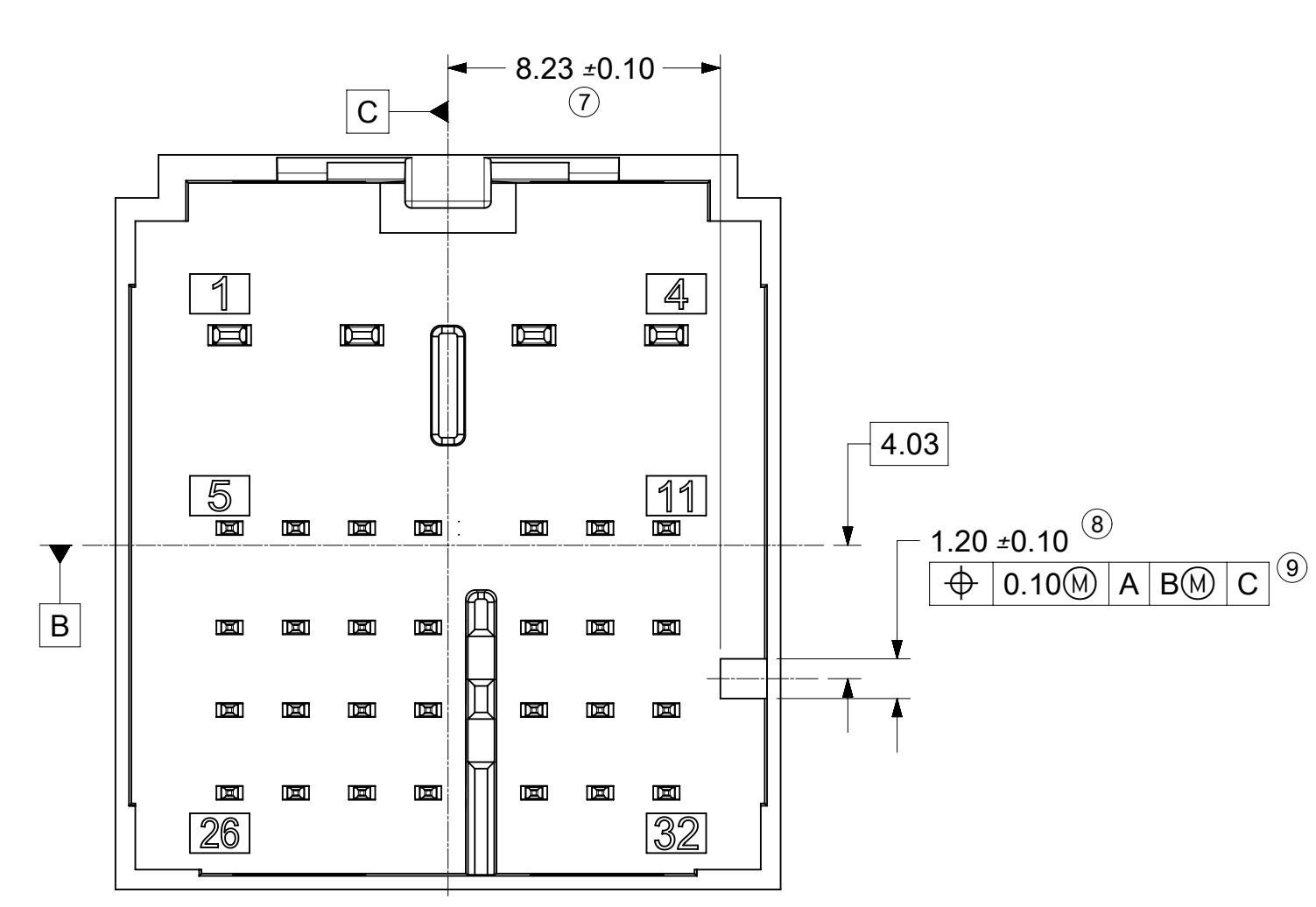
SYMBOLS	THIS DRAWING CONTAINS INFORMATION THAT IS PROPRIETARY TO MOLEX ELECTRONIC TECHNOLOGIES, LLC AND SHOULD NOT BE USED WITHOUT WRITTEN PERMISSION		CURRENT REV DESC: SEE TABLE	
	DIMENSION UNITS	SCALE		
$\nabla = 0$	mm			
$\nabla = 0$	GENERAL TOLERANCES (UNLESS SPECIFIED)			
$\nabla = 0$	ANGULAR TOL	± 3.0°		
$\nabla = 0$	4 PLACES	±		
$\nabla = 0$	3 PLACES	±		
$\nabla = 0$	2 PLACES	± 0.3		
$\nabla = 0$	1 PLACE	± 0.3		
$\nabla = 0$	0 PLACES	± 0.3		
$\nabla = 0$	DRAFT WHERE APPLICABLE MUST REMAIN WITHIN DIMENSIONS		THIRD ANGLE PROJECTION	DRAWING SERIES
$\nabla = 0$				D-SIZE 160028
EC NO: 622293		2019/08/13		
DRWN: HTGU002		2019/08/13		
CHK'D: JCONDON		2019/08/13		
APPR: JCONDON		2019/08/13		
INITIAL REVISION:				
DRWN: VYARAPPA		2017/02/07		
APPR: KDEKOSKI		2017/03/23		
DOCUMENT NUMBER		DOC TYPE	DOC PART	REVISION
SD-160028-0001		PSD	000	B2
MATERIAL NUMBER		CUSTOMER		
SEE CHART		GENERAL MARKET		
SHEET NUMBER		2 OF 2		



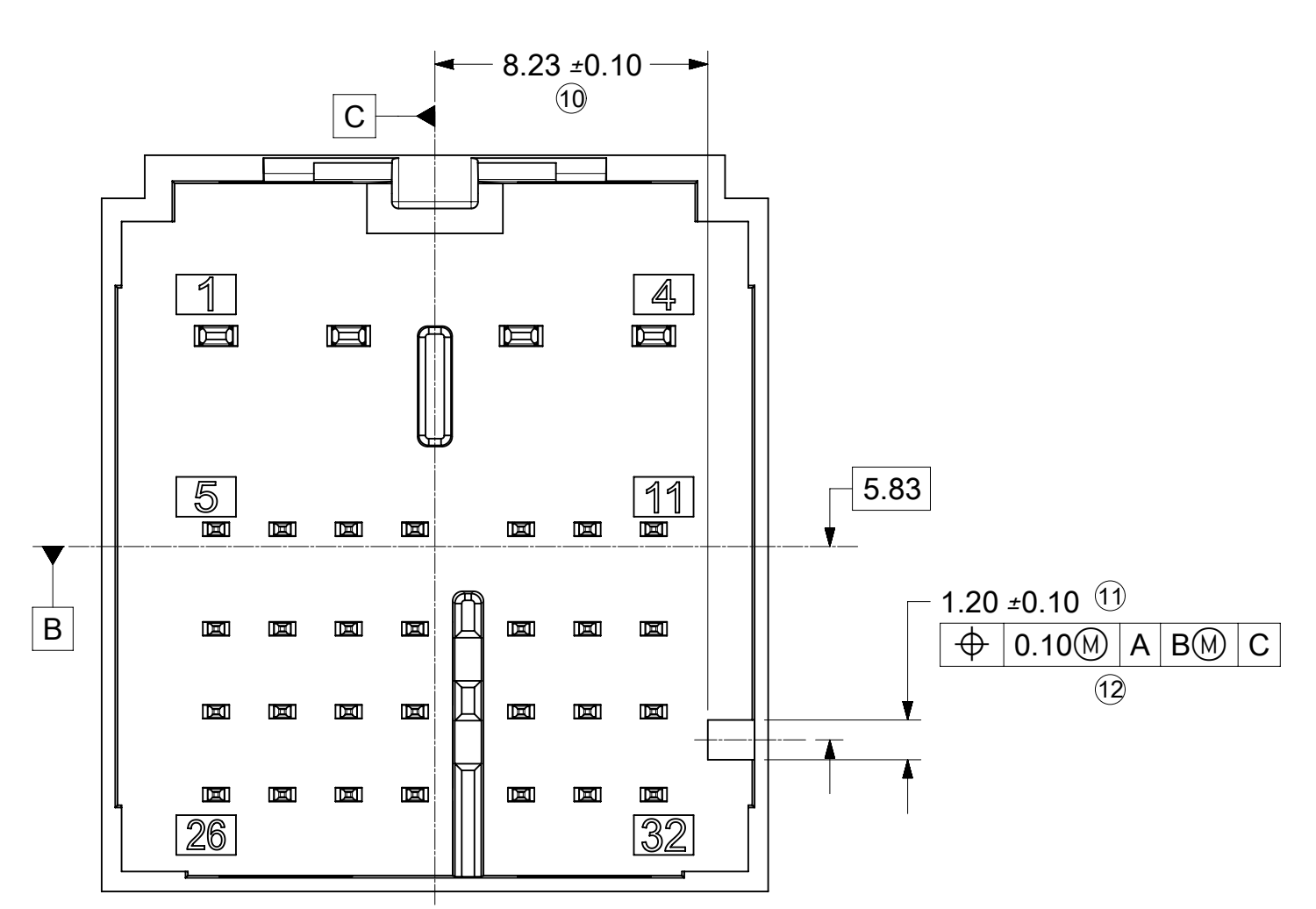
INTERFACE KEY 1 & KEY 5



INTERFACE KEY 2 & KEY 6



INTERFACE KEY 3 & KEY 7

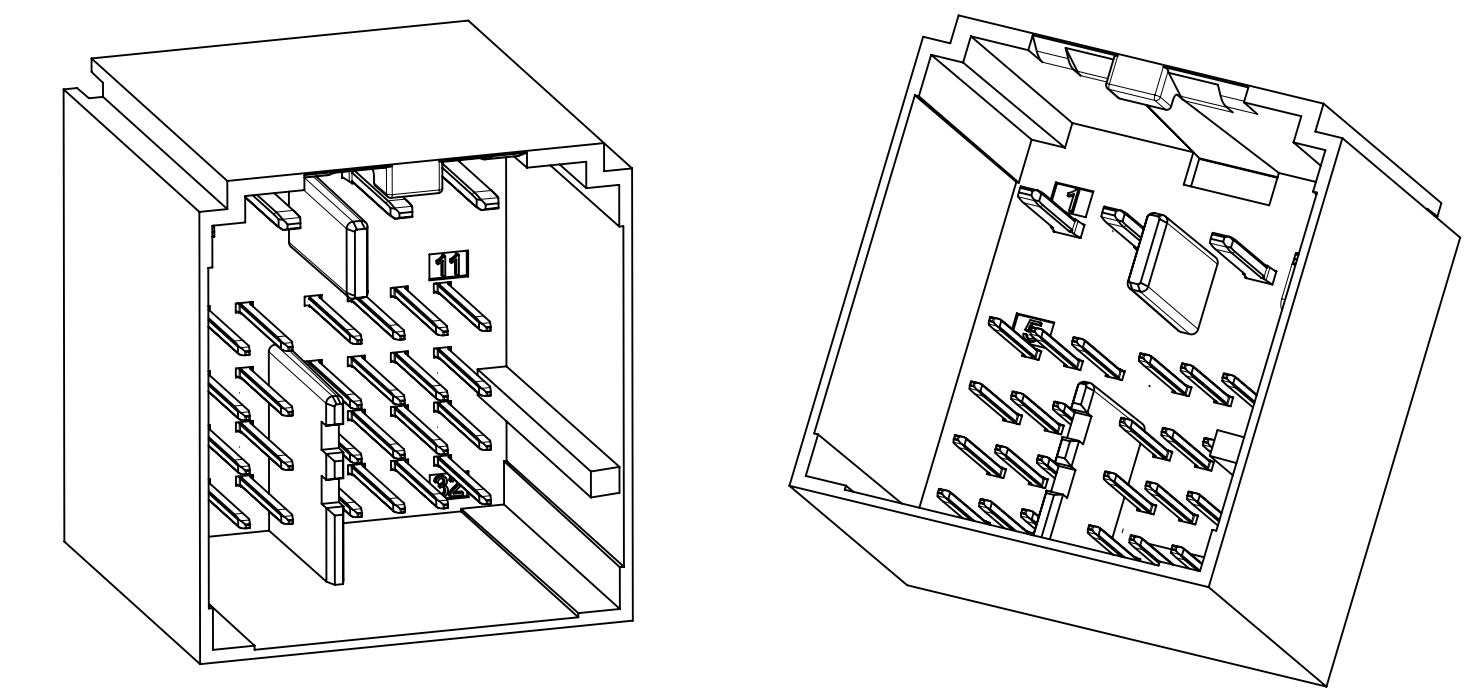
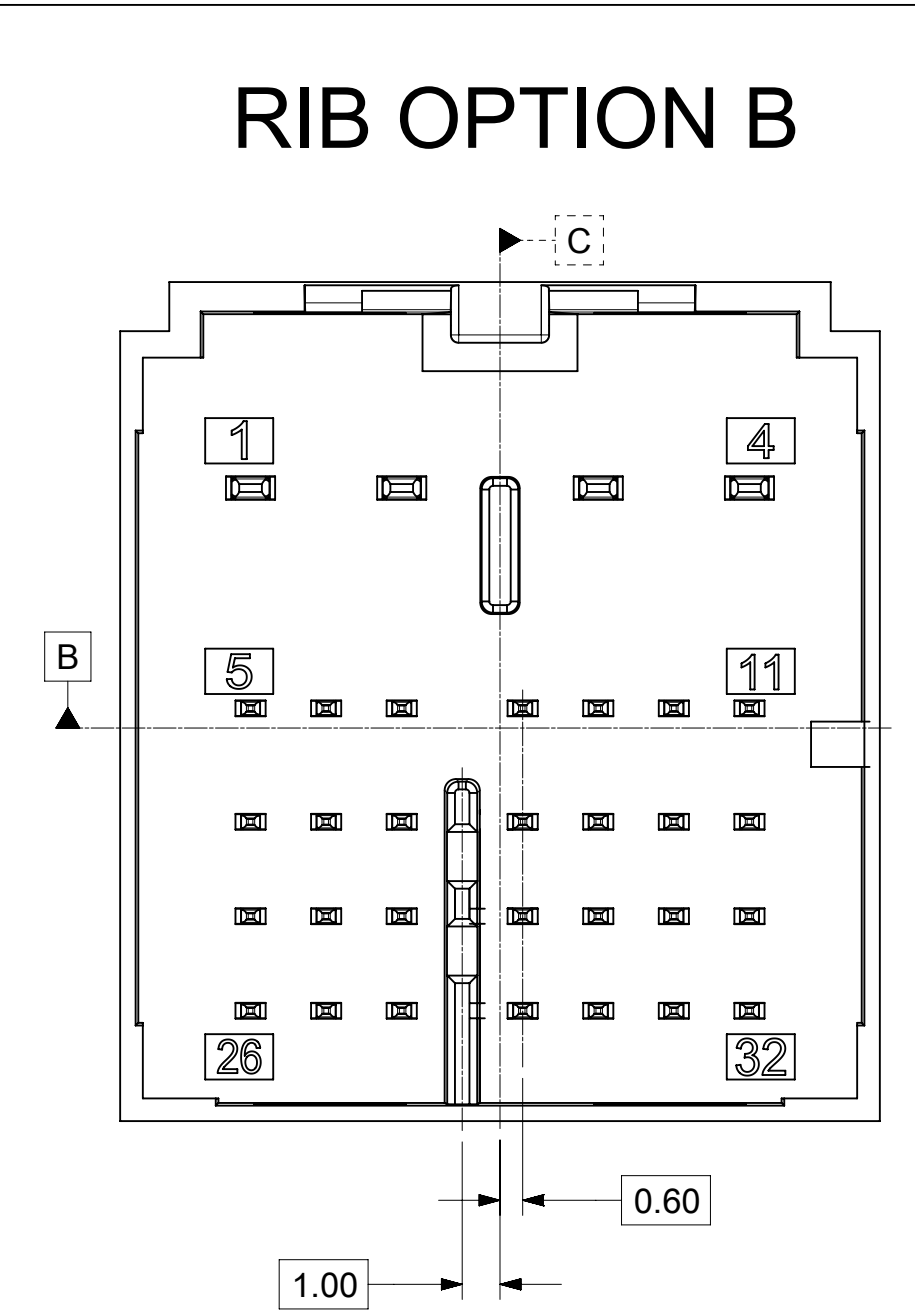
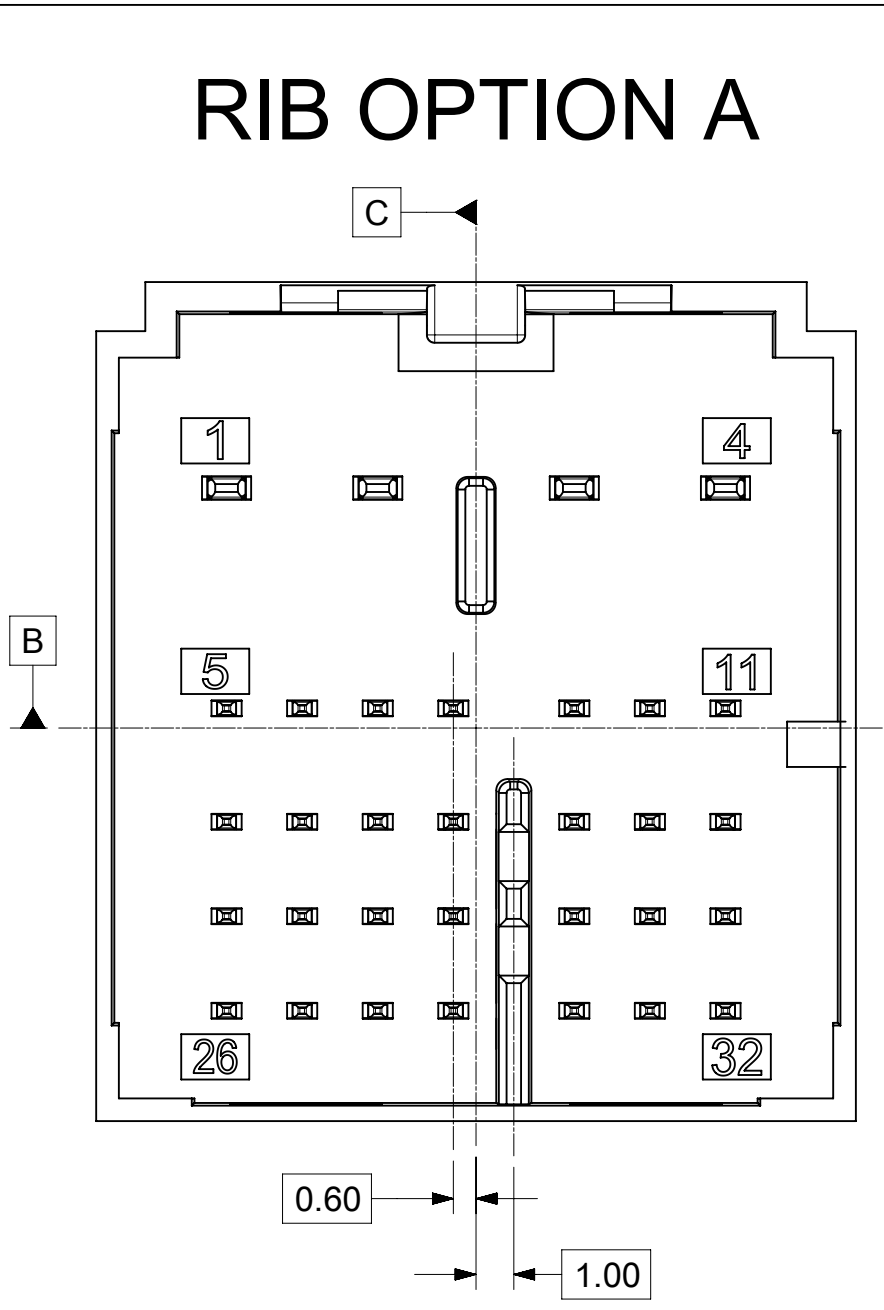


INTERFACE KEY 4 & KEY 8

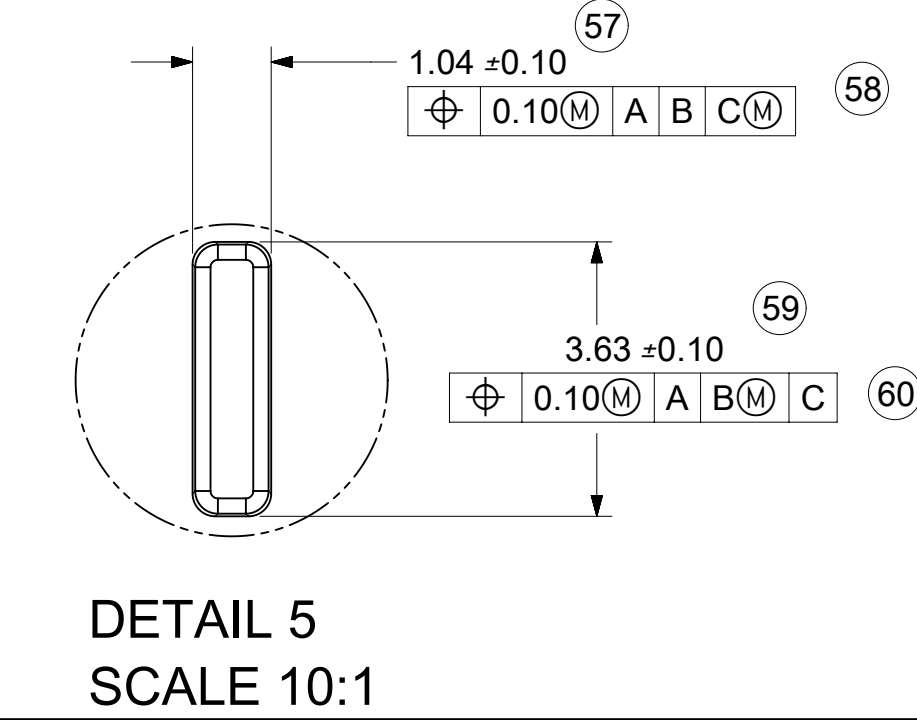
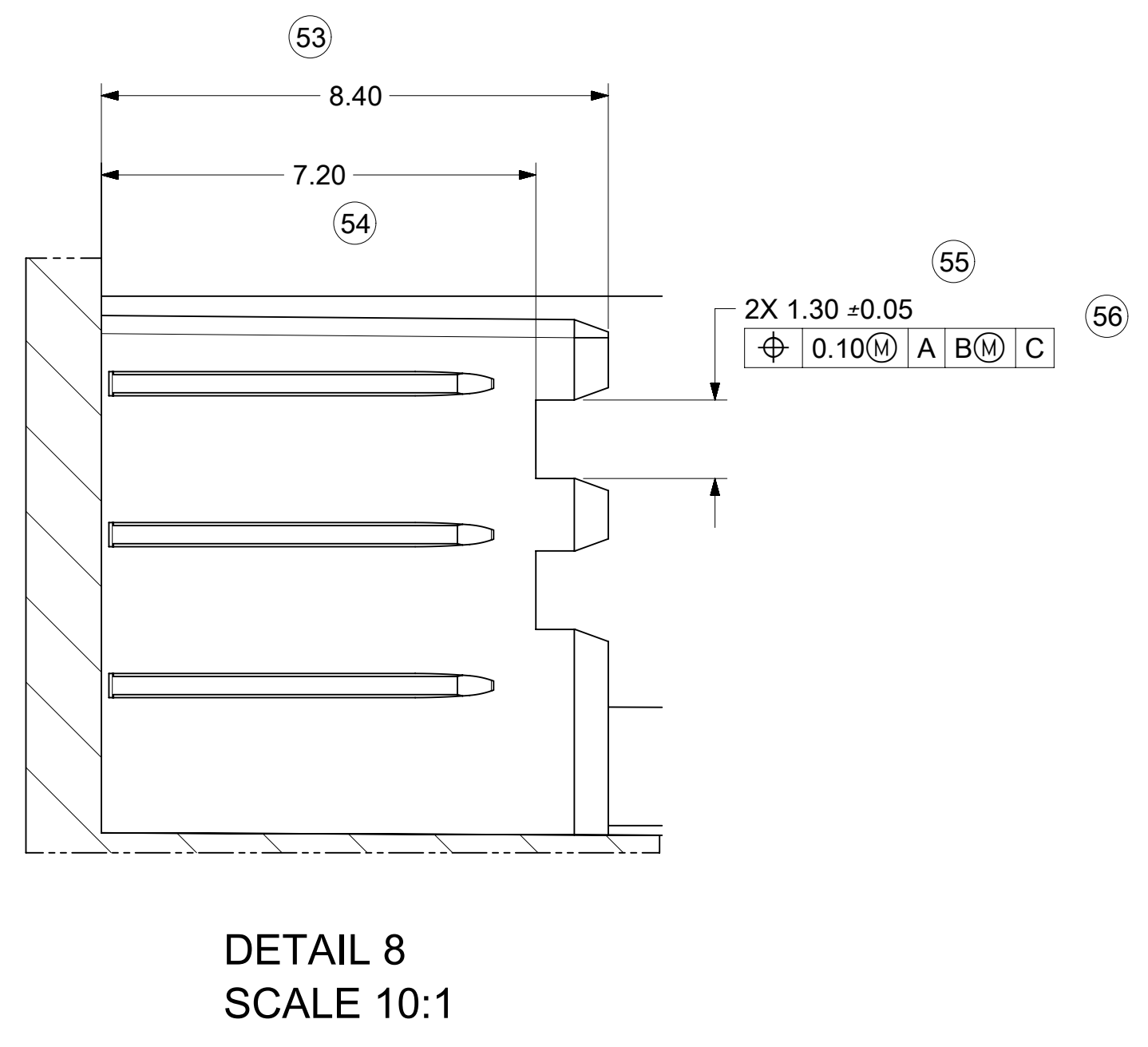
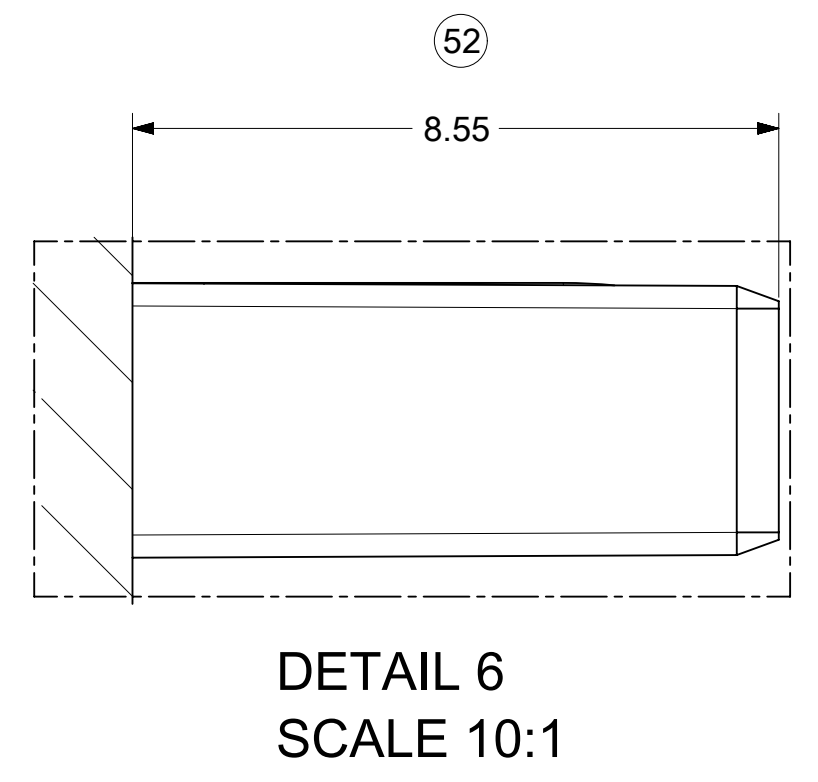
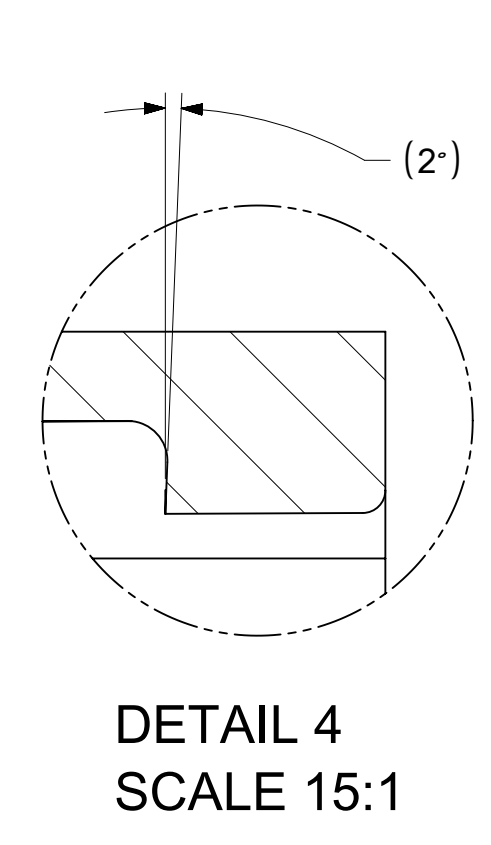
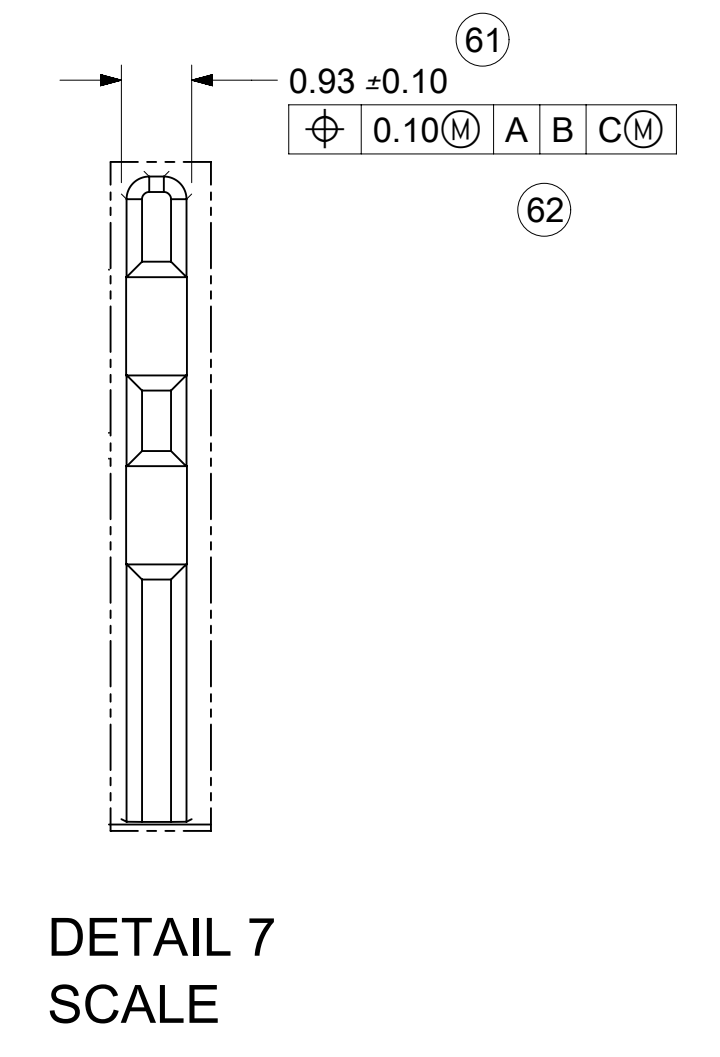
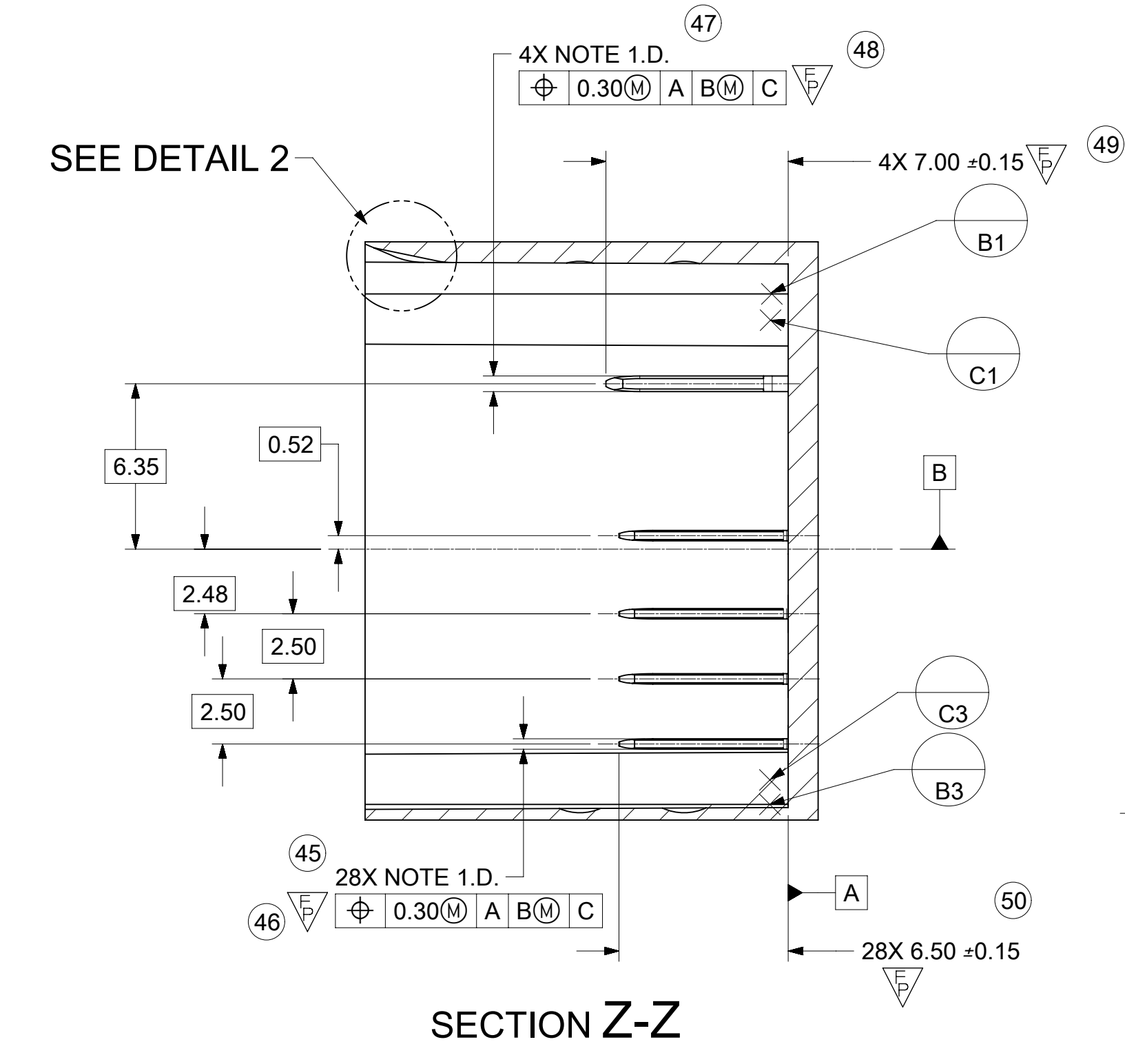
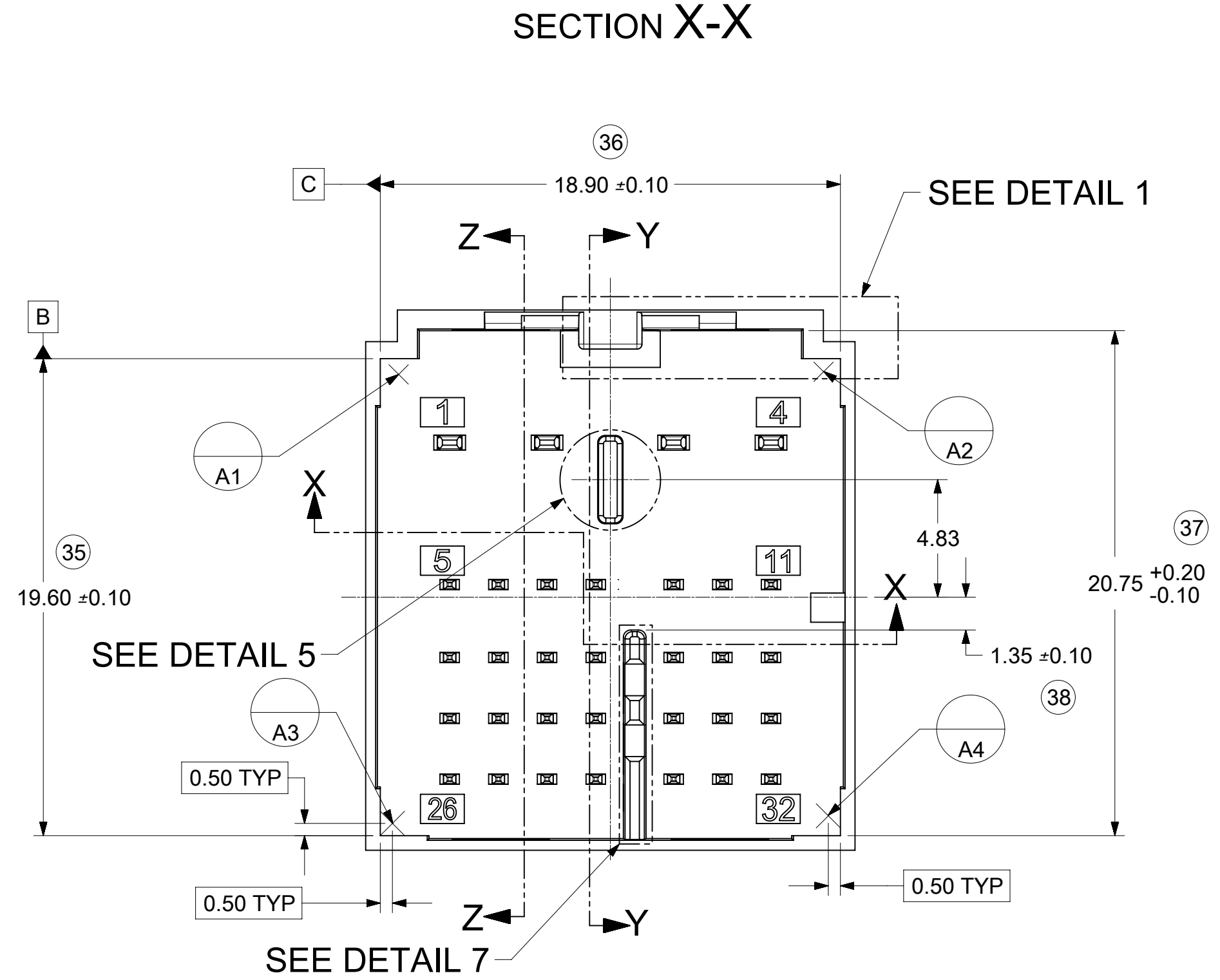
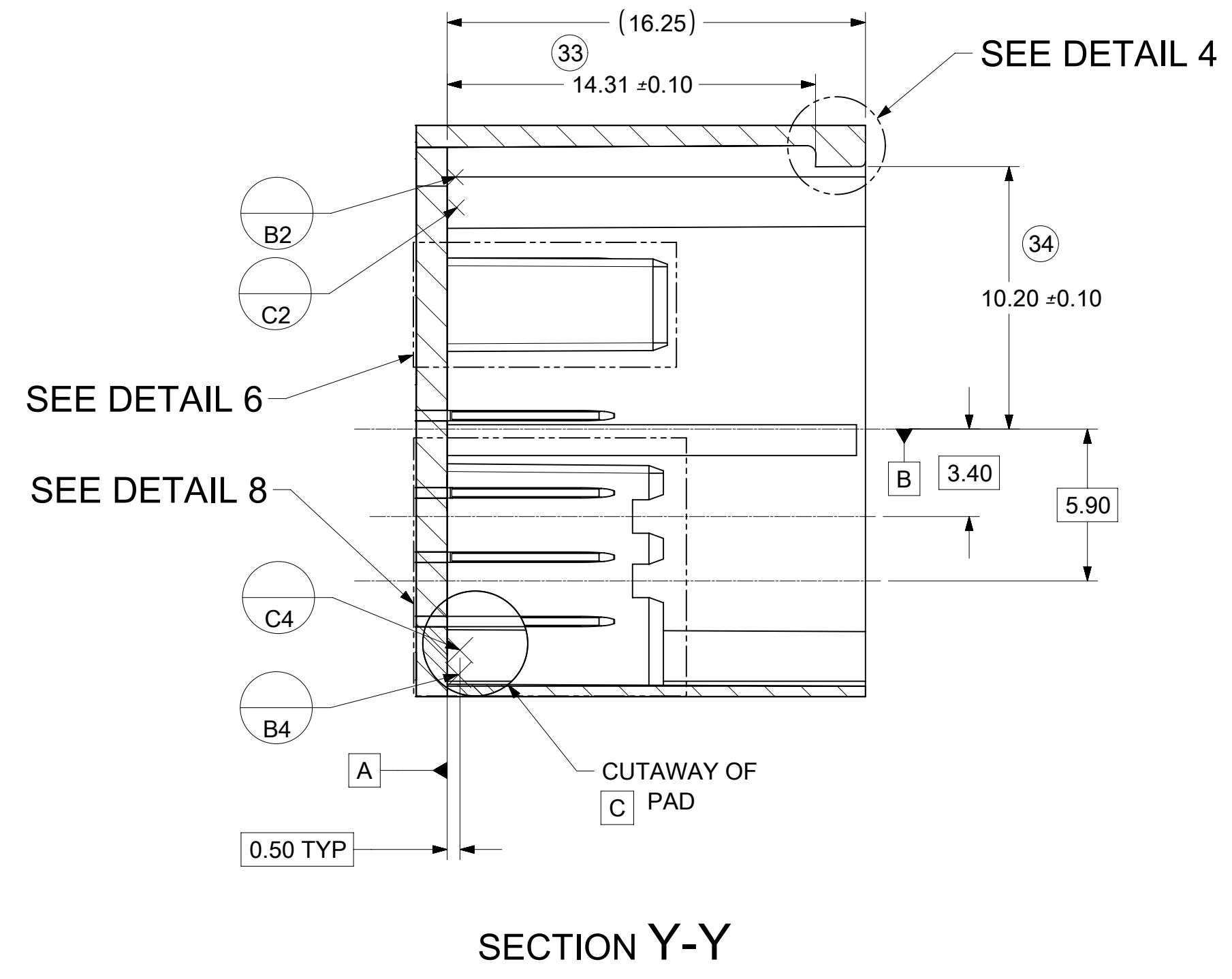
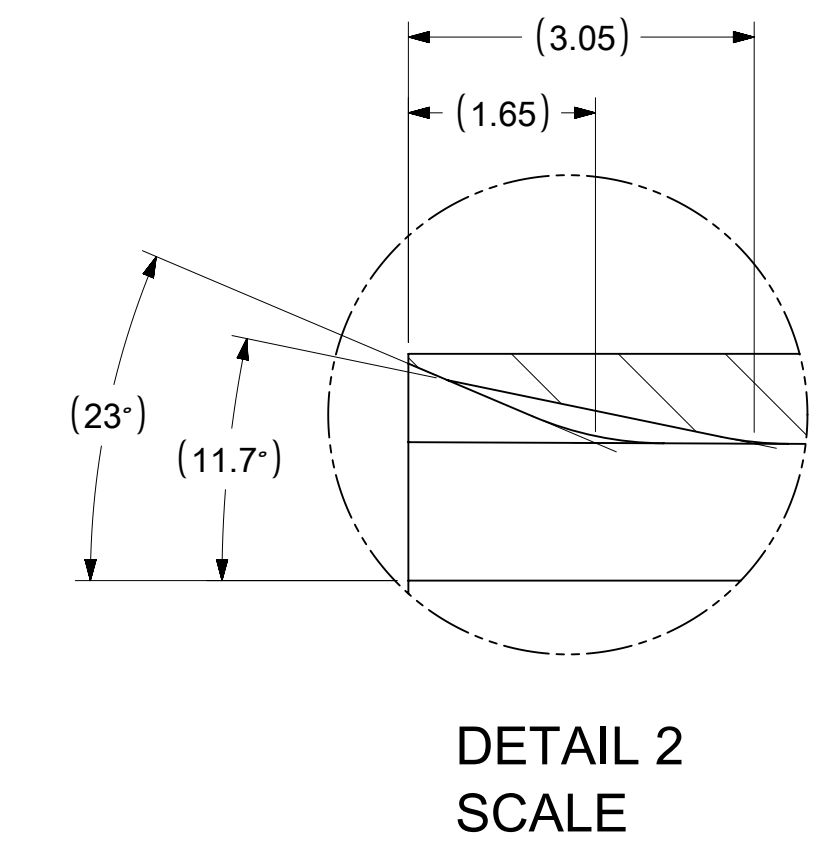
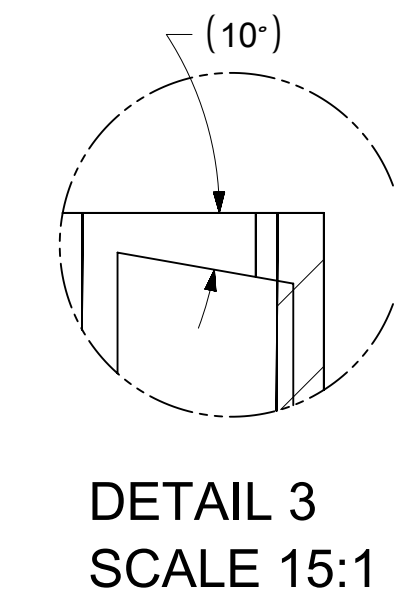
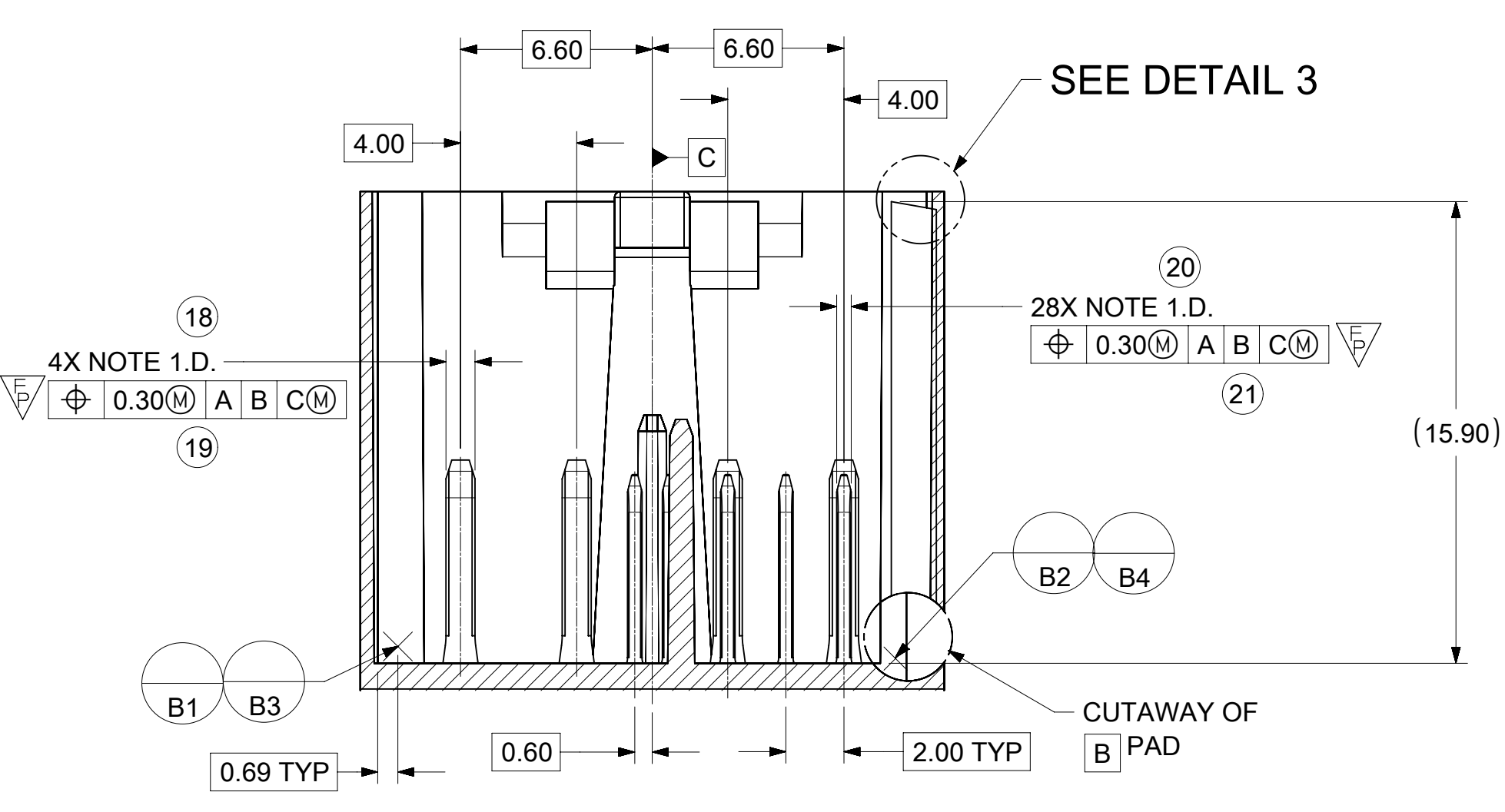
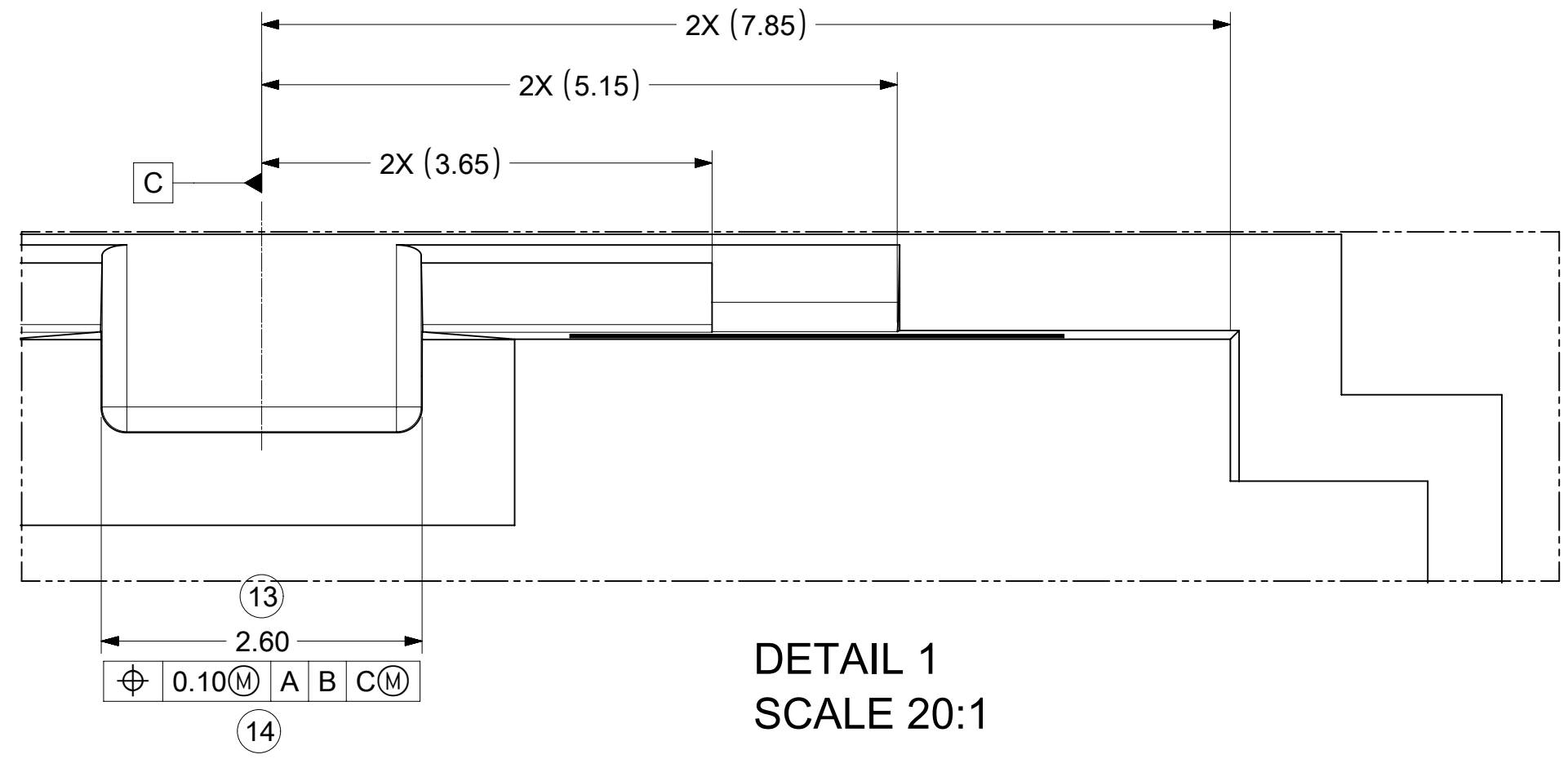
INTERFACE OPTIONS		
KEY	RIB OPTION	MATING CONNECTOR COLOR
1	OPTION A	BLACK
2	OPTION A	BLUE
3	OPTION A	DARK GRAY
4	OPTION A	PURPLE C
5	OPTION B	PINK B
6	OPTION B	TBD
7	OPTION B	LIGHT BROWN
8	OPTION B	TBD

- NOTES: VALID UNLESS OTHERWISE SPECIFIED
- DESIGN - MATERIALS:
    - RESIN MATERIAL: PBT+GF30 OR SPS+GF30 OR EQUIVALENT
    - PIN/BLADE MATERIAL: ACCORDING TO USCAR DRAWING EWCAP-001 NOTE B2.
    - PLATING: ACCORDING TO USCAR DRAWING EWCAP-001 TIN REFLOW WITH UNDERPLATE.
    - PIN TIPS ACCORDING TO USCAR DRAWING EWCAP-001 (120-T002 & 050-T001)
    - DEVIATION TO EWCAP-001 ACCEPTABLE IF PERFORMANCE (ELECTRICAL/MECHANICAL) IS SHOWN TO BE EQUAL OR BETTER AS REQUIRED BY VALIDATION TESTING.
  - DESIGN - GEOMETRY:
    - ALL GRAPHIC DATA IS BASIC (NO TOLERANCE) AND MUST BE TAKEN FROM THE DATA FILE AT ITS LATEST REVISION.
    - GEOMETRIC DIMENSIONS AND TOLERANCES PER ASME Y14.5M-2009
    - GENERAL TOLERANCES:
      - LINEAR: PER DIN 16901 LINEAR CODE B FOR PRECISION ENGINEERING
      - ANGULAR: -3°
    - EDGES AND UNDIMENSIONED DETAILS PER ISO13715
    - CORNERS SHOWN AS SHARP TO BE R 0.2 MAX.
    - LETTERING SHALL BE 0.15 MAX RAISED IN 0.25 MAX RECESS PAD. THIS INCLUDES RECYCLING CODE, CAVITY ID, VENDOR IDENTIFICATION, AND CUSTOMER MATERIAL NUMBER. (for small parts: LETTERING SHALL BE 0.10 MAX RAISED IN 0.15 MAX RECESS PAD)
  - DESIGN - MANUFACTURING:
    - DRAFT TO BE WITHIN TOLERANCE.

B1	ADDED BALLOONS JCONDON 08/02/2018
B	REMOVED 0.2MM FROM CONNECTOR LOCK TAB FEATURE
A1	ADDED NOTE 1.E JCONDON 11/13/2017
A	NX-REMASTERING SAP # 10867412
7	UAU2016-1182 SAP # 10762453 JCONDON 02/08/2016
6	UAU2015-1446 SAP # 10681629 JCONDON 03/25/2015
5	UAU2015-1212 SAP # 10674908 JCONDON 02/06/2015
4	UAU2015-0982 SAP # 10670199 JCONDON 12/22/2014
3	UAU2014-1679 SAP # XXXXXXXX KDEKOSKI 05/02/2014
2	UAU2014-1221 SAP # XXXXXXXX MYOUNG01 02/06/2014
1	UAU2014-0715 SAP # XXXXXXXX MYOUNG01 01/02/2014
REV	DESCRIPTION



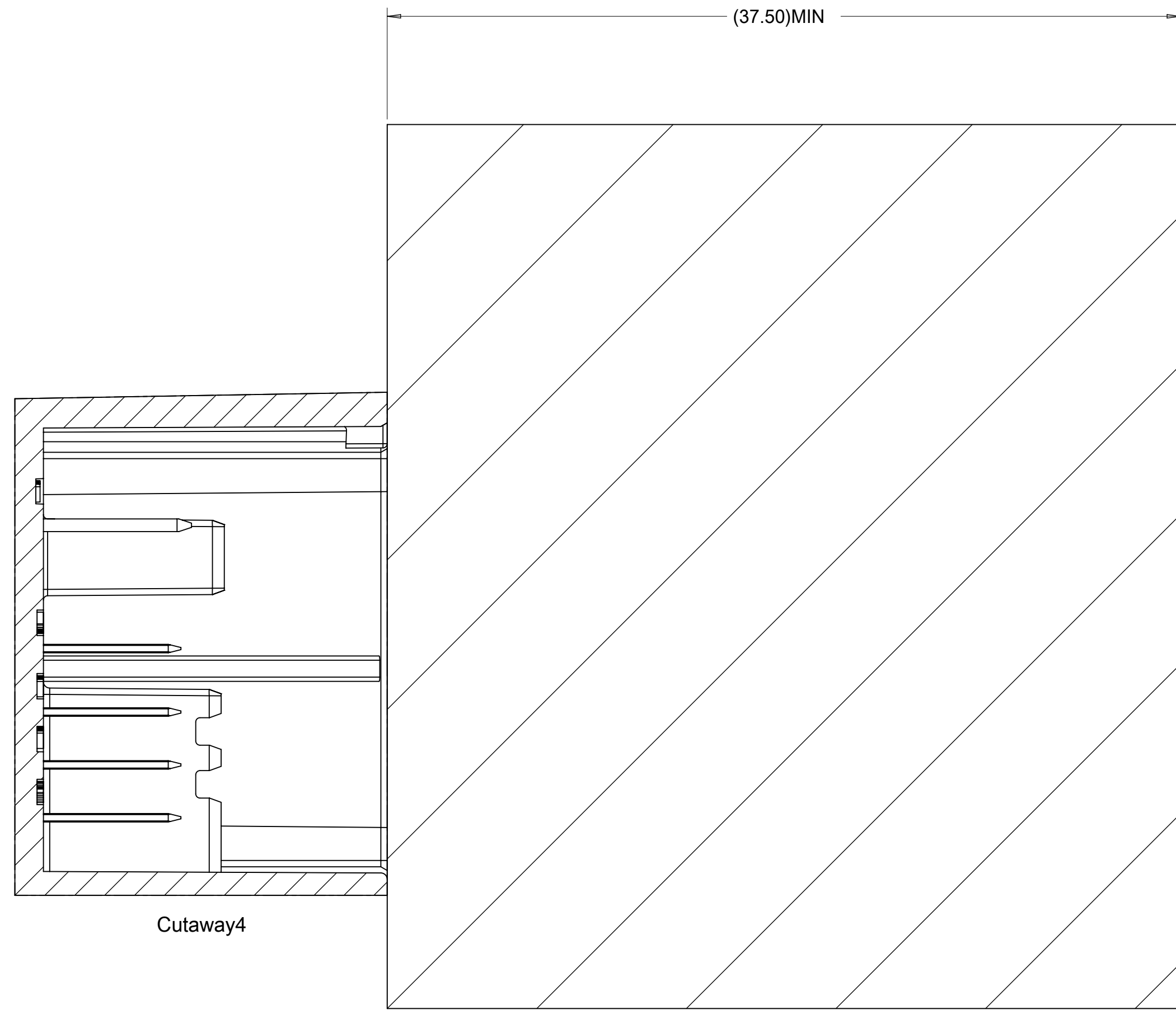
SYMBOLS	THIS DRAWING CONTAINS INFORMATION THAT IS PROPRIETARY TO MOLEX ELECTRONIC TECHNOLOGIES, LLC AND SHOULD NOT BE USED WITHOUT WRITTEN PERMISSION		CURRENT REV DESC: ADDED DIMENSION BALLOONS	
	DIMENSION UNITS	SCALE		
▽ = 0	mm	5:1	DRWN: JCONDON 2018/08/02	32WAY STAK50H INTERFACE DRAWING
▽ = 0	GENERAL TOLERANCES (UNLESS SPECIFIED)		CHK'D: JCONDON 2018/08/03	
▽ = 0	ANGULAR TOL ± °		APPR: MVANSLAMBROU 2018/08/03	PRODUCT CUSTOMER DRAWING
▽ = 0	4 PLACES ±		INITIAL REVISION:	DOCUMENT NUMBER
▽ = 0	3 PLACES ±		DRWN: MYOUNG01 2013/11/14	
▽ = 0	2 PLACES ±		APPR: KDEKOSKI 2014/01/02	DOC TYPE
▽ = 0	1 PLACE ±			DOC PART
▽ = 0	0 PLACES ±			REVISION
▽ = 0	DRAFT WHERE APPLICABLE MUST REMAIN WITHIN DIMENSIONS		THIRD ANGLE PROJECTION	DRAWING
▽ = 0			SERIES	SHEET NUMBER
			D-SIZE	160028
			MATERIAL NUMBER	CUSTOMER
			GENERAL MARKET	1 OF 3



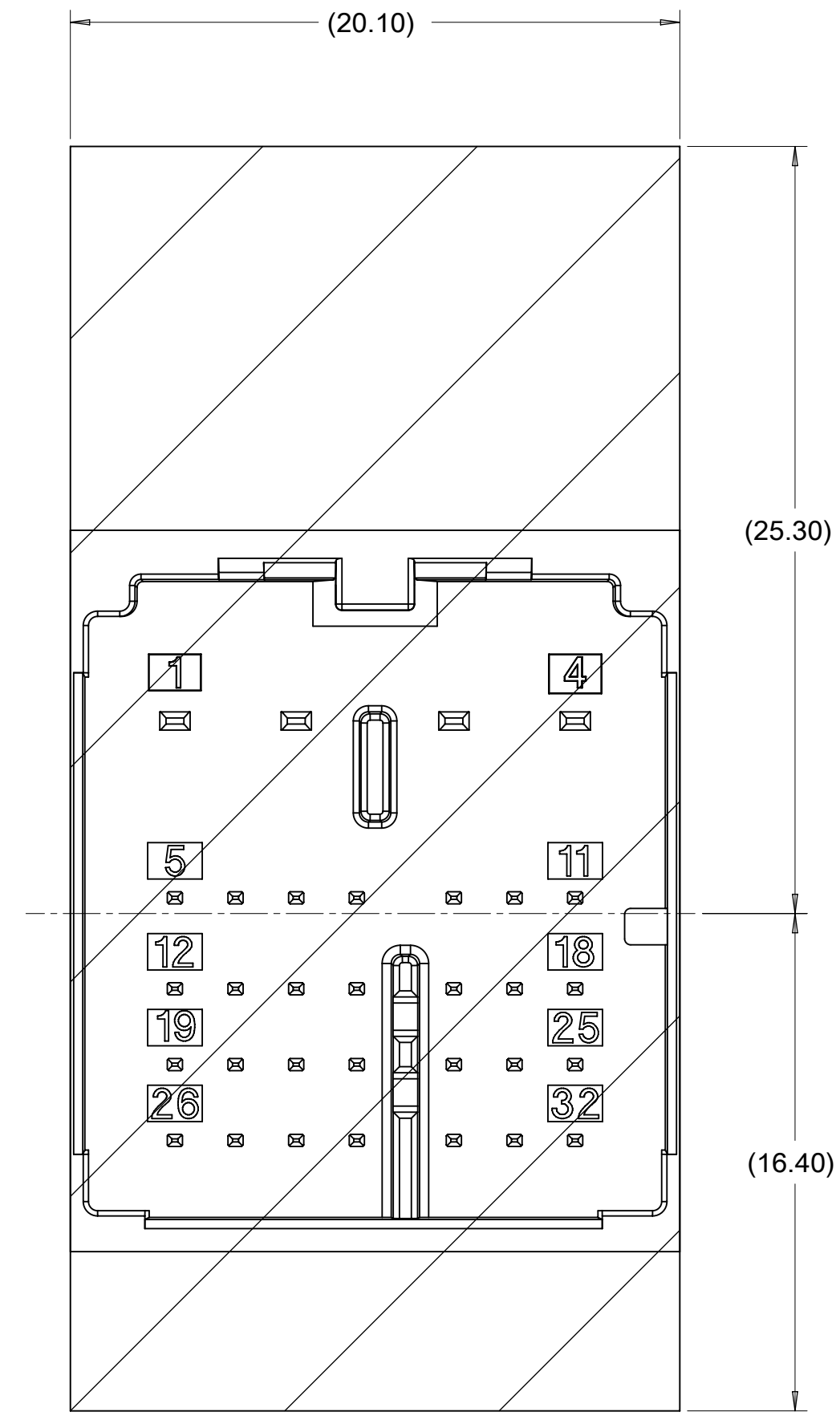
SYMBOLS	THIS DRAWING CONTAINS INFORMATION THAT IS PROPRIETARY TO MOLEX ELECTRONIC TECHNOLOGIES, LLC AND SHOULD NOT BE USED WITHOUT WRITTEN PERMISSION									
	DIMENSION UNITS	SCALE	CURRENT REV DESC: ADDED DIMENSION BALLOONS							
▽ = 0	mm	5:1								
▽ = 0	GENERAL TOLERANCES (UNLESS SPECIFIED)									
▽ = 6	ANGULAR TOL ± °									
▽ = 0	4 PLACES ±									
▽ = 0	3 PLACES ±									
▽ = 0	2 PLACES ±									
▽ = 0	1 PLACE ±									
▽ = 0	0 PLACES ±									
■ = 0	DRAFT WHERE APPLICABLE MUST REMAIN WITHIN DIMENSIONS									
▽ = 0	THIRD ANGLE PROJECTION	DRAWING	SERIES							
		D-SIZE	160028							
			EC NO: 602204				32WAY STAK50H INTERFACE DRAWING			
			DRWN: JCONDON 2018/08/02				PRODUCT CUSTOMER DRAWING			
			CHK'D: JCONDON 2018/08/03				DOCUMENT NUMBER			
			APPR: MVANSLAMBROU 2018/08/03				DOC TYPE DOC PART REVISION			
			INITIAL REVISION:				SD-160028-002 PSD 001 B1			
			DRWN: MYOUNG01 2013/11/14				MATERIAL NUMBER CUSTOMER			
			APPR: KDEKOSKI 2014/01/02				GENERAL MARKET SHEET NUMBER			
							2 OF 3			



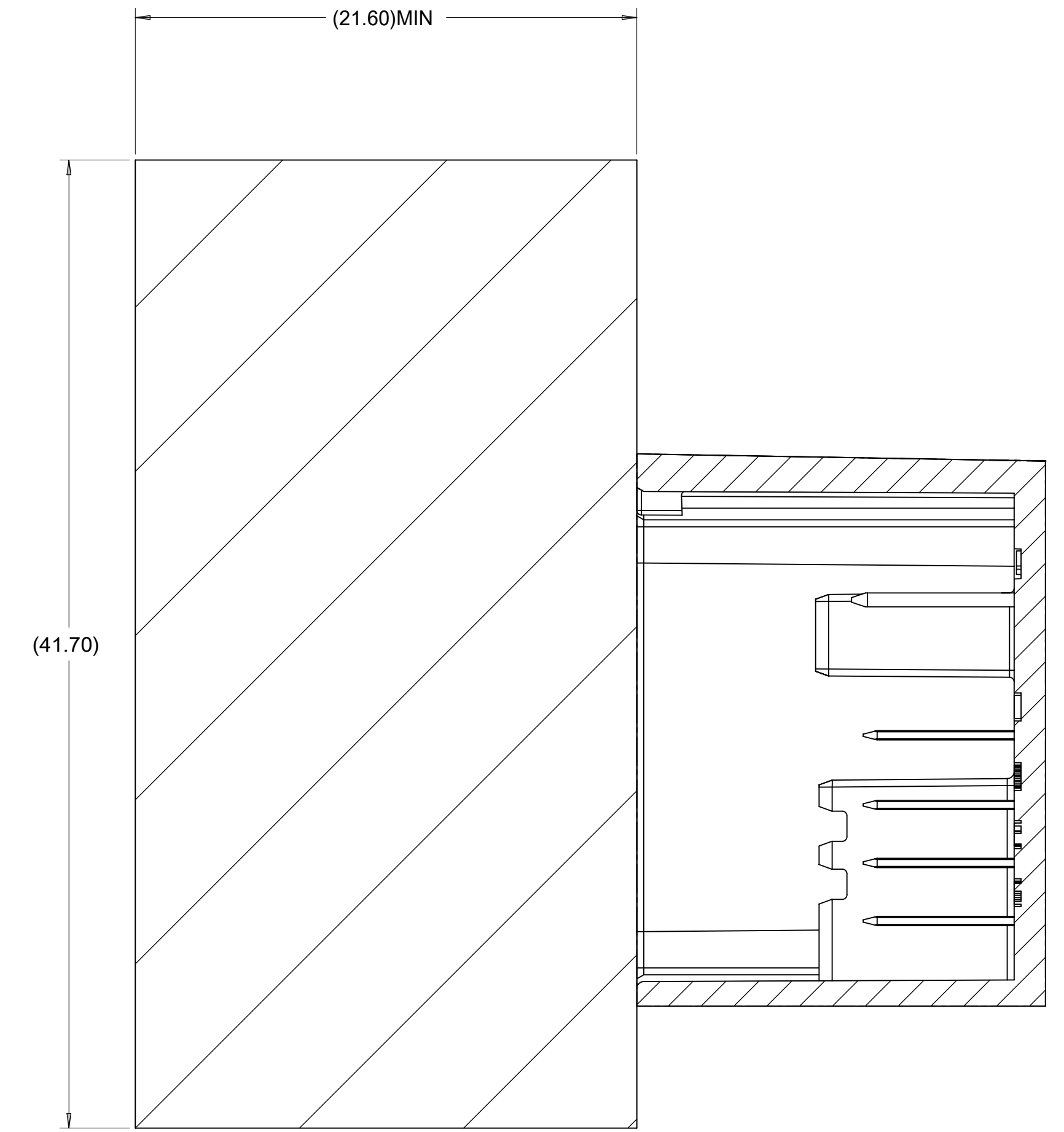
PACKAGE SPACE  
FOR UNMATED  
CONNECTOR



PACKAGE SPACE  
FOR CONNECTOR



PACKAGE SPACE  
FOR MATED  
CONNECTOR  
WITH COVER



SYMBOLS	THIS DRAWING CONTAINS INFORMATION THAT IS PROPRIETARY TO MOLEX ELECTRONIC TECHNOLOGIES, LLC AND SHOULD NOT BE USED WITHOUT WRITTEN PERMISSION		
	DIMENSION UNITS	SCALE	CURRENT REV DESC: ADDED DIMENSION BALLOONS
= 0	mm	5:1	<p>EC NO: 602204</p> <p>DRWN: JCONDON 2018/08/02</p> <p>CHK'D: JCONDON 2018/08/03</p> <p>APPR: MVANSLAMBROU 2018/08/03</p> <p>INITIAL REVISION:</p> <p>DRWN: MYOUNG01 2013/11/14</p> <p>APPR: KDEKOSKI 2014/01/02</p>
= 0	GENERAL TOLERANCES (UNLESS SPECIFIED)		
= 0	ANGULAR TOL ± °		
= 0	4 PLACES ±		
= 0	3 PLACES ±		
= 0	2 PLACES ±		<p>DRWN: MYOUNG01 2013/11/14</p> <p>APPR: KDEKOSKI 2014/01/02</p>
= 0	1 PLACE ±		
= 0	0 PLACES ±		<p>DRWN: MYOUNG01 2013/11/14</p> <p>APPR: KDEKOSKI 2014/01/02</p>
= 0	DRAFT WHERE APPLICABLE MUST REMAIN WITHIN DIMENSIONS		
= 0	THIRD ANGLE PROJECTION	DRAWING	SERIES
			D-SIZE 160028
DOCUMENT NUMBER		DOC TYPE	DOC PART
SD-160028-002		PSD	001
REVISION		REVISION	
B1			
MATERIAL NUMBER		CUSTOMER	
		GENERAL MARKET	
SHEET NUMBER			
3 OF 3			

# Mouser Electronics

Authorized Distributor

Click to View Pricing, Inventory, Delivery & Lifecycle Information:

[Molex:](#)

[160028-0001](#) [160028-0002](#) [160028-0003](#) [160028-0004](#)