



产品编号 : [16020077](#)

Product Description : SL Crimp Terminal, Series 70021, Male, with 0.38µm Selective Gold (Au) Plated Contact, 24-30 AWG, Reel

系列号 : 70021

状态 : Active

Product Category : Crimp Terminals

工程编号 : 70021-0006

Packaging Alternative : 0016020109 (Bag)



文件和资源

图纸

[图纸 016020077_sd.pdf](#)

规格

[产品规格 PS-70021-001.pdf](#)

[产品规格 PS-70400-001.pdf](#)

产物环境合规

合规

| | |
|--------------------|--|
| GADSL/IMDS | Compliant with Exemption 44; 34; 33 |
| China RoHS | |
| EU ELV | Compliant per 2000/53/EC |
| Low-Halogen Status | Low-Halogen per IEC 61249-2-21 |
| REACH SVHC | Not Contained per D(2023)3788-DC (14 Jun 2023) |
| EU RoHS | Compliant per EU 2015/863 |

多部分产品合规性声明

- Eu RoHS
- REACH SVHC
- Low-Halogen

多部分行业合规性文件

- IPC 1752A Class C
- IPC 1752A Class D
- Molex Product Compliance Declaration
- IEC-62474
- chemSHERPA (xml)

欧盟 RoHS 合格证书

产品详情

常规

| | |
|------|--|
| 状态 | 活动 |
| 类别 | Crimp Terminals |
| 系列 | 70021 |
| 说明 | SL Crimp Terminal, Series 70021, Male, with 0.38 μ m Selective Gold (Au) Plated Contact, 24-30 AWG, Reel |
| 应用 | Signal, Wire-to-Wire |
| 产品系列 | SL Modular Connectors |
| 产品名称 | SL |
| UPC | 800753595965 |

物理

| | |
|---------------------|----------------------|
| 性别 | 男 |
| 材料 - 金属 | Phosphor Bronze |
| 材料 - 接合部位电镀 | 金牌 |
| 材料 - 终端电镀 | Tin |
| 净重 | 134.600/mg |
| 包装形式 | Reel |
| 最薄镀层 - 接合部位 | 0.381 μ m |
| 最薄镀层 - 端接 | 1.905 μ m |
| 终端界面类型 | Crimp or Compression |
| 导线绝缘直径 | 1.52mm max. |
| 线径规格 (AWG) | 24, 26, 28, 30 |
| 线缆尺寸mm ² | 不适用 |

进程

| | |
|----|-----|
| 无铅 | 不适用 |
|----|-----|

可连接使用部件

| 描述 | 产品编号 |
|--|--------------|
| SL Single Row Crimp Housings and CPA Retainers | <u>70066</u> |
| SL Single Row Crimp Housings | <u>70107</u> |

施工工具

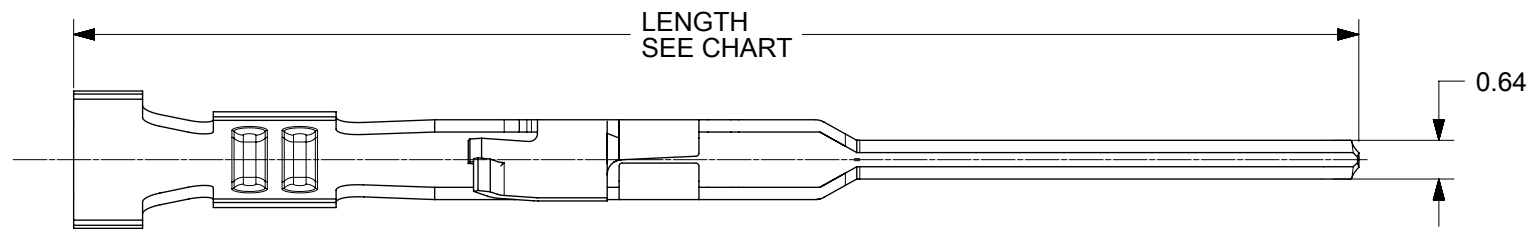
全局

| 描述 | 产品编号 |
|---|-------------------|
| Insertion Tool for 70021, 70028, 70110, 71851 Terminals / Extraction Tool for 91821 Terminals | <u>0011020022</u> |
| Hand Crimp Tool for SL Crimp Terminals, 24-30 AWG | <u>2002187000</u> |
| FineAdjust Applicator for Male Crimp Terminal, 24-30 AWG Wire | <u>0639003400</u> |
| FineAdjust Applicator for Crimp Terminal, Male, 28 AWG, 41 Strands/44 AWG Wire | <u>0639014500</u> |
| T2 Terminator Tooling Die | <u>0639103400</u> |

施工工具

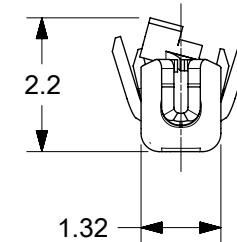
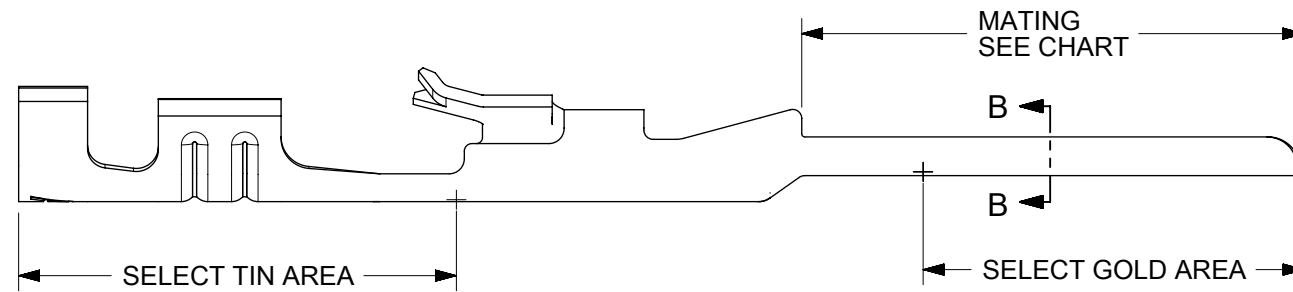
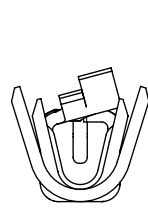
日本

| 描述 | 产品编号 |
|--|-------------------|
| Applicator for M211A Bench Press, 22-30 AWG Wire | <u>0570173000</u> |
| Hand Insertion Tool | <u>0570336000</u> |



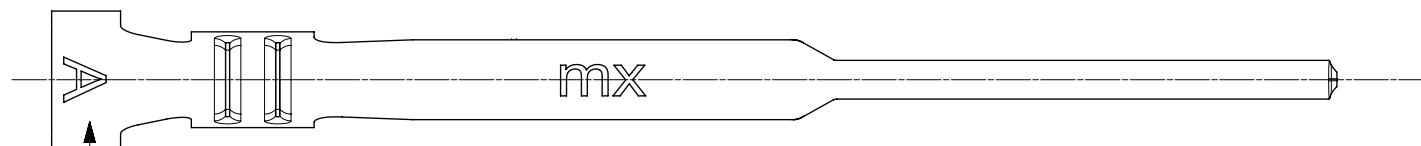
NOTES:

1. MATERIAL: 0.20 THICK PHOS BRONZE
2. FINISH:
 OVERALL TIN: 3.8 MICROMETERS MIN OVER NICKEL
 207 = SELECT GOLD IN AREA SHOWN: 0.38 MICROMETERS MIN
 SELECT TIN IN AREA SHOWN: 2.0 MICROMETERS MIN BOTH OVER NICKEL
 206 = SELECT GOLD IN AREA SHOWN: 0.75 MICROMETERS MIN
 SELECT TIN IN AREA SHOWN: 2.0 MICROMETERS MIN BOTH OVER NICKEL
3. PRODUCT SPECIFICATION: PS-70021
4. TERMINALS FOR USE WITH HOUSING SERIES: 70066 AND 70107



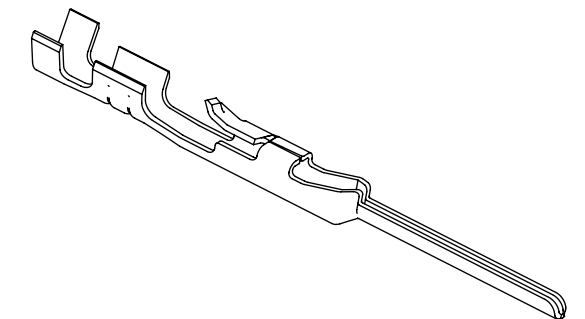
PLATING NOT REQUIRED ON INSIDE AREA

SECTION B-B
BACKGROUND OMITTED



WIRE SIZE IDENTIFICATION LETTER IS STAMPED INTO PART IN THIS AREA:

- A = 24-30 AWG WIRE WITH 1.52 MAX INSULATION DIA
 - B = 32-36 AWG WIRE WITH 0.64 MAX INSULATION DIA
 - C = 22-24 AWG WIRE WITH 1.63 MAX INSULATION DIA
- SEE CHART



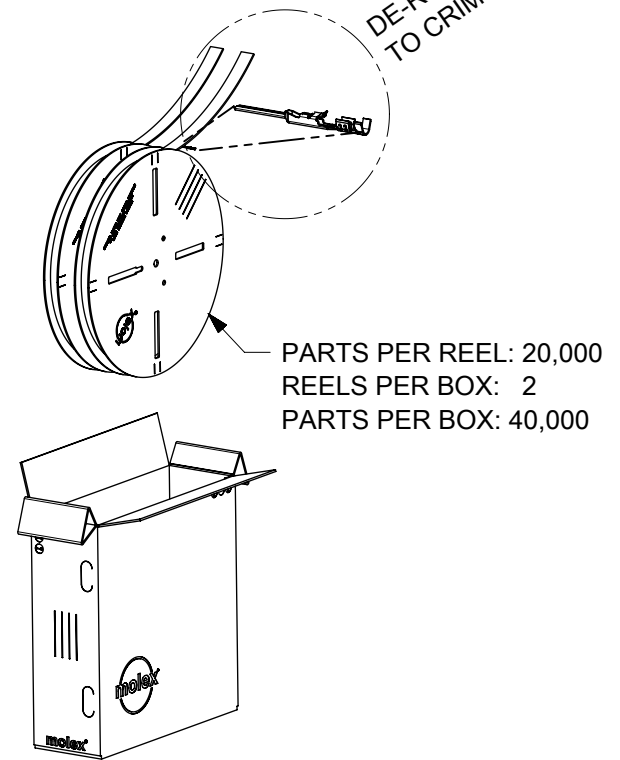
| | | | | | | | | |
|---|---|-------|--|--|--|-----|-----|-----------------|
| SYMBOLS ▽ = 0 ▽ = 0 ▽ = 0 ▽ = 0 ▽ = 0 ▽ = 0 ▽ = 0 ▽ = 0 ▽ = 0 ▽ = 0 | THIS DRAWING CONTAINS INFORMATION THAT IS PROPRIETARY TO MOLEX ELECTRONIC TECHNOLOGIES, LLC AND SHOULD NOT BE USED WITHOUT WRITTEN PERMISSION | | CURRENT REV DESC: ADD PK SPEC | | molex SL MALE CRIMP TERMINAL | | | |
| | DIMENSION UNITS | SCALE | EC NO: 615128 | | | | | DOCUMENT NUMBER |
| | mm | 5:1 | DRWN: GJEEVANSURES 2018/12/05 | | 700210000-SD | PSD | 000 | A5 |
| | GENERAL TOLERANCES (UNLESS SPECIFIED) | | CHK'D: SCS02 2019/04/05 | | PRODUCT CUSTOMER DRAWING | | | |
| | ANGULAR TOL ± ° | | APPR: ISHWARG 2019/04/05 | | MATERIAL NUMBER | | | |
| | 4 PLACES ± | | INITIAL REVISION: | | CUSTOMER | | | |
| | 3 PLACES ± | | DRWN: KSAMIEC 2017/09/01 | | SERIES | | | |
| | 2 PLACES ± 0.25 | | APPR: FSMITH 2017/09/12 | | 70021 | | | |
| | 1 PLACE ± 0.35 | | THIRD ANGLE PROJECTION | | DRAWING | | | |
| | 0 PLACES ± 0.0 | | DRAFT WHERE APPLICABLE MUST REMAIN WITHIN DIMENSIONS | | B-SIZE | | | |

| TERMINAL STAMPED WITH LETTER "A" FOR USE WITH 24-30 AWG WIRE | | | | | | | | |
|--|----------------|---------|-----------------|--------|--------|----------------|-----------|--------------|
| MATERIAL NO | ENGINEERING NO | PACKING | PLATING | LENGTH | MATING | STAMPED LETTER | WIRE SIZE | MAX INS. DIA |
| 16020105 | 70021-0004 | REEL | OVERALL TIN | 21.39 | 8.43 | A | 24-30 AWG | 1.52 |
| 16020108 | 70021-0204 | LOOSE | | | | | | |
| 16020077 | 70021-0006 | REEL | 207 = 0.38 GOLD | | | | | |
| 16020109 | 70021-0206 | LOOSE | | | | | | |
| 16020078 | 70021-0008 | REEL | 206 = 0.75 GOLD | | | | | |
| 16020110 | 70021-0208 | LOOSE | | | | | | |

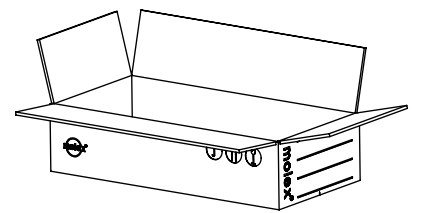
| TERMINAL STAMPED WITH LETTER "C" FOR USE WITH 22-24 AWG WIRE | | | | | | | | |
|--|----------------|---------|-----------------|--------|--------|----------------|-----------|--------------|
| MATERIAL NO | ENGINEERING NO | PACKING | PLATING | LENGTH | MATING | STAMPED LETTER | WIRE SIZE | MAX INS. DIA |
| 16020107 | 70021-0021 | REEL | OVERALL TIN | 21.39 | 8.43 | C | 22-24 AWG | 1.63 |
| 16020114 | 70021-0221 | LOOSE | | | | | | |
| 16020081 | 70021-0023 | REEL | 207 = 0.38 GOLD | | | | | |
| 16020115 | 70021-0223 | LOOSE | | | | | | |
| 16020116 | 70021-0025 | REEL | 206 = 0.75 GOLD | | | | | |
| 16020117 | 70021-0225 | LOOSE | | | | | | |
| 700210117 | 70021-0117 | | | | | | | |
| 700210081 | NA | NA | 207 = 0.38 GOLD | 19.61 | 6.65 | | | |
| 700211021 | NA | NA | OVERALL TIN | | | | | |
| 700211023 | NA | REEL | 206 = 0.75 GOLD | | | | | |

| TERMINAL STAMPED WITH LETTER "B" FOR USE WITH 32-36 AWG WIRE | | | | | | | | |
|--|----------------|---------|-----------------|--------|--------|----------------|-----------|--------------|
| MATERIAL NO | ENGINEERING NO | PACKING | PLATING | LENGTH | MATING | STAMPED LETTER | WIRE SIZE | MAX INS. DIA |
| 16020106 | 70021-0013 | REEL | OVERALL TIN | 21.39 | 8.43 | B | 32-36 AWG | 0.64 |
| 16020111 | 70021-0213 | LOOSE | | | | | | |
| 16020079 | 70021-0015 | REEL | 207 = 0.38 GOLD | | | | | |
| 16020112 | 70021-0215 | LOOSE | | | | | | |
| 16020080 | 70021-0017 | REEL | 206 = 0.75 GOLD | | | | | |
| 16020113 | 70021-0217 | LOOSE | | | | | | |

REELED PART PACKAGING



PARTS PER BAG: 6,000
 BAGS PER BOX: 2
 PARTS PER BOX: 12,000



LOOSE PART PACKAGING

| | | | | | | | | |
|---------|---|--|-------------------------------|------------------------|--------------------|------------|--|-------------|
| SYMBOLS | THIS DRAWING CONTAINS INFORMATION THAT IS PROPRIETARY TO MOLEX ELECTRONIC TECHNOLOGIES, LLC AND SHOULD NOT BE USED WITHOUT WRITTEN PERMISSION | | CURRENT REV DESC: ADD PK SPEC | | | | | |
| | ▽ = 0 | DIMENSION UNITS: mm | | | | | | SCALE: 1:10 |
| | ▽ = 0 | GENERAL TOLERANCES (UNLESS SPECIFIED) | | EC NO: 615128 | | | | |
| | ▽ = 0 | ANGULAR TOL ± ° | 4 PLACES ± | | DRWN: GJEEVANSURES | 2018/12/05 | SL MALE CRIMP TERMINAL PRODUCT CUSTOMER DRAWING | |
| | ▽ = 0 | 3 PLACES ± | 3 PLACES ± | | CHK'D: SCS02 | 2019/04/05 | | |
| | ▽ = 0 | 2 PLACES ± 0.25 | 2 PLACES ± 0.25 | | APPR: ISHWARG | 2019/04/05 | | |
| | ▽ = 0 | 1 PLACE ± 0.35 | 1 PLACE ± 0.35 | | INITIAL REVISION: | | DOCUMENT NUMBER | |
| | ▽ = 0 | 0 PLACES ± 0.0 | 0 PLACES ± 0.0 | | DRWN: KSAMIEC | 2017/09/01 | 700210000-SD | |
| | ▽ = 0 | DRAFT WHERE APPLICABLE MUST REMAIN WITHIN DIMENSIONS | | THIRD ANGLE PROJECTION | DRAWING | SERIES | MATERIAL NUMBER | CUSTOMER |
| | ▽ = 0 | | | | B-SIZE | 70021 | | |
| | | | | | | PSD | 000 | |
| | | | | | | | A5 | |
| | | | | | | | 2 OF 2 | |