

产品编号 : 16020107

Product Description : SL Crimp Terminal, Series 70021, Male, with Tin (Sn) Plated Contact, 22-24 AWG, Reel

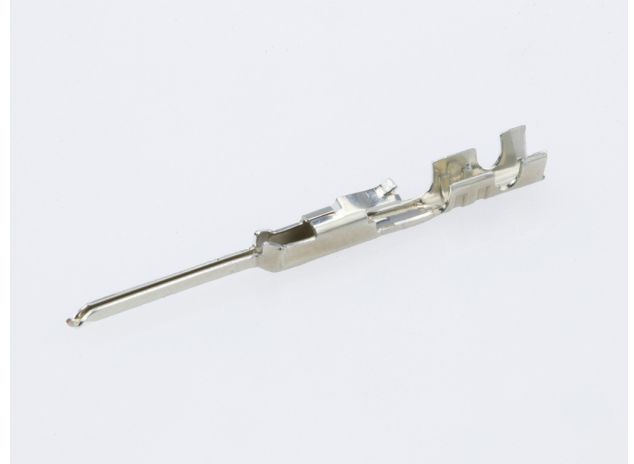
系列号 : 70021

状态 : Active

Product Category : Crimp Terminals

工程编号 : 70021-0021

Packaging Alternative : 0016020114 (Bag)



## 文件和资源

### 图纸

[图纸 016020107\\_sd.pdf](#)


### 规格

[产品规格 PS-70021-001.pdf](#)

[产品规格 PS-70400-001.pdf](#)

## 产物环境合规

### 合规

GADSL/IMDS	Compliant with Exemption 44; 33
China RoHS	
EU ELV	Not Relevant
Low-Halogen Status	Low-Halogen per IEC 61249-2-21
REACH SVHC	Not Contained per D(2023)3788-DC (14 Jun 2023)
EU RoHS	Compliant per EU 2015/863

### 多部分产品合规性声明

- Eu RoHS
- REACH SVHC
- Low-Halogen

### 多部分行业合规性文件

- IPC 1752A Class C

- IPC 1752A Class D
- Molex Product Compliance Declaration
- IEC-62474
- chemSHERPA (xml)

欧盟 RoHS 合格证书

## 产品详情

### 常规

状态	活动
类别	Crimp Terminals
系列	70021
说明	SL Crimp Terminal, Series 70021, Male, with Tin (Sn) Plated Contact, 22-24 AWG, Reel
应用	Signal, Wire-to-Wire
产品系列	SL Modular Connectors
产品名称	SL
UPC	800753595668

### 物理

性别	男
材料 - 金属	Phosphor Bronze
材料 - 接合部位电镀	Tin
材料 - 终端电镀	Tin
净重	142.500/mg
包装形式	Reel
最薄镀层 - 接合部位	3.810µm
最薄镀层 - 端接	1.905µm
终端界面类型	Crimp or Compression
导线绝缘直径	1.63mm max.
线径规格 (AWG)	22, 24
线缆尺寸mm <sup>2</sup>	不适用

### 进程

无铅	不适用
----	-----

---

## 可连接使用部件

描述	产品编号
SL Single Row Crimp Housings and CPA Retainers	<u>70066</u>
SL Single Row Crimp Housings	<u>70107</u>

---

## 施工工具

### 全局

描述	产品编号
Insertion Tool for 70021, 70028, 70110, 71851 Terminals / Extraction Tool for 91821 Terminals	<u>0011020022</u>
PremiumGrade Hand Crimp Tool for SL Crimp Terminals, 22-24 AWG and 32-36 AWG	<u>0638118700</u>
FineAdjust Applicator for Crimp Terminal, Male, 22 AWG Wire	<u>0639014600</u>
FineAdjust Applicator for SL Terminals, for 22-24 AWG Wire with Insulation Diameter 1.25-1.45mm	<u>0639027800</u>
T2 Terminator for SL Crimp Terminal	<u>0639127800</u>

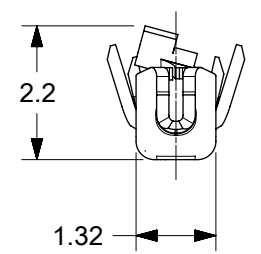
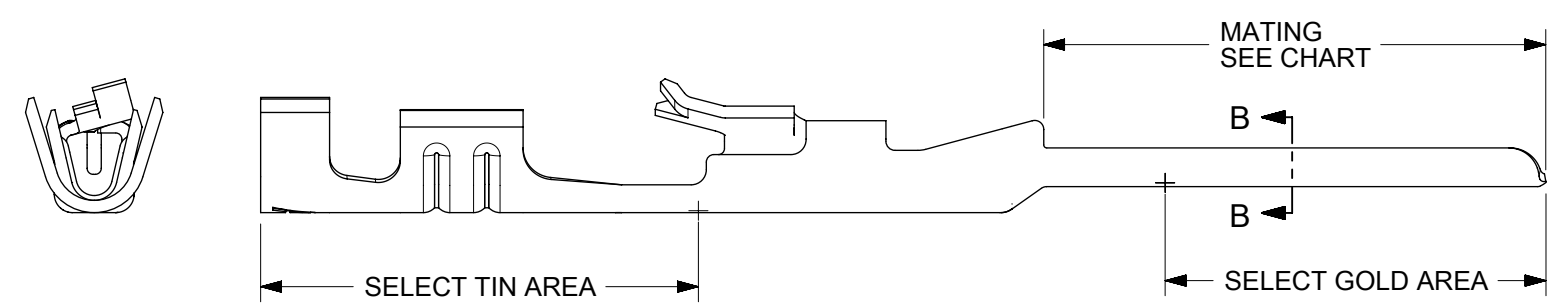
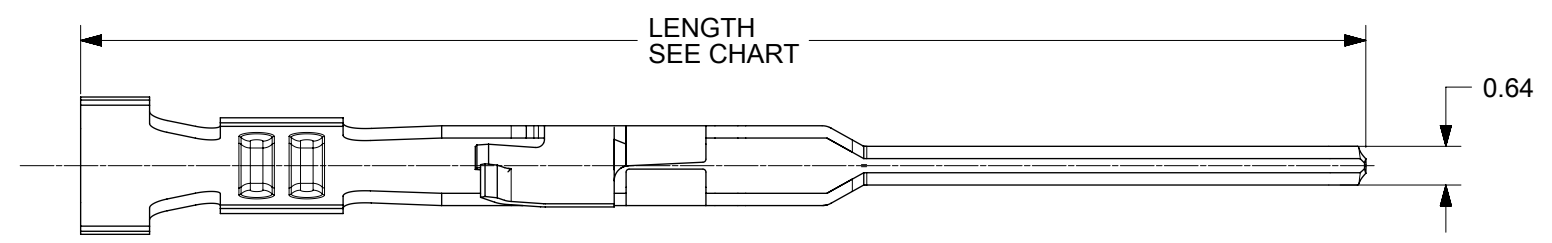
## 施工工具

### 日本

描述	产品编号
Applicator for M211A Bench Press, 22-30 AWG Wire	<u>0570173000</u>
Hand Insertion Tool	<u>0570336000</u>

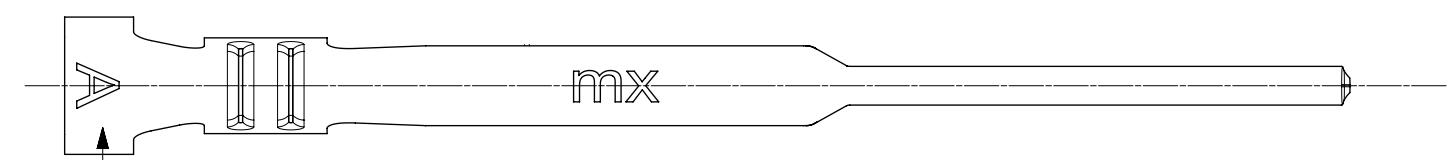
---

- NOTES:
1. MATERIAL: 0.20 THICK PHOS BRONZE
  2. FINISH:  
 OVERALL TIN: 3.8 MICROMETERS MIN OVER NICKEL  
 207 = SELECT GOLD IN AREA SHOWN: 0.38 MICROMETERS MIN  
 SELECT TIN IN AREA SHOWN: 2.0 MICROMETERS MIN BOTH OVER NICKEL  
 206 = SELECT GOLD IN AREA SHOWN: 0.75 MICROMETERS MIN  
 SELECT TIN IN AREA SHOWN: 2.0 MICROMETERS MIN BOTH OVER NICKEL
  3. PRODUCT SPECIFICATION: PS-70021
  4. TERMINALS FOR USE WITH HOUSING SERIES: 70066 AND 70107

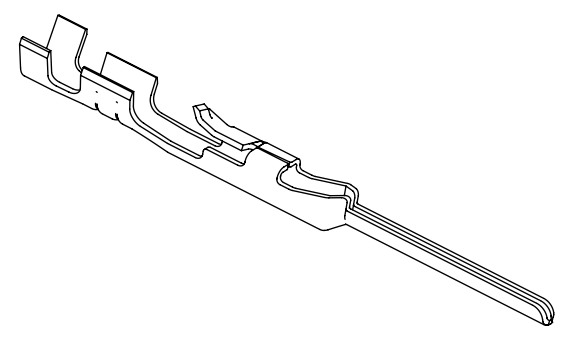


PLATING NOT REQUIRED ON INSIDE AREA

SECTION B-B  
BACKGROUND OMITTED



WIRE SIZE IDENTIFICATION LETTER IS STAMPED INTO PART IN THIS AREA:  
 A = 24-30 AWG WIRE WITH 1.52 MAX INSULATION DIA  
 B = 32-36 AWG WIRE WITH 0.64 MAX INSULATION DIA  
 C = 22-24 AWG WIRE WITH 1.63 MAX INSULATION DIA  
 SEE CHART



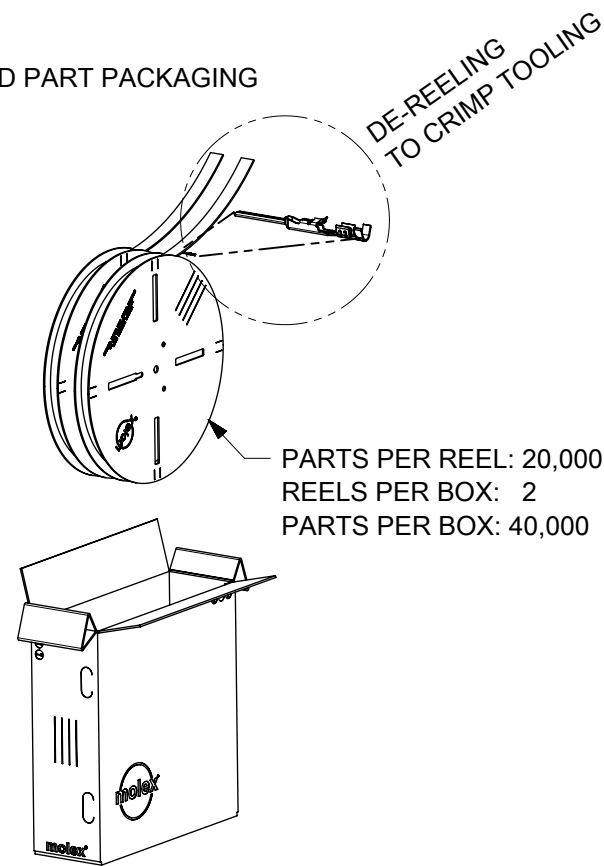
SYMBOLS ▽ = 0 ▽ = 0 ▽ = 0 ▽ = 0 ▽ = 0 ▽ = 0 ▽ = 0 ▽ = 0 ▽ = 0 ▽ = 0	THIS DRAWING CONTAINS INFORMATION THAT IS PROPRIETARY TO MOLEX ELECTRONIC TECHNOLOGIES, LLC AND SHOULD NOT BE USED WITHOUT WRITTEN PERMISSION		CURRENT REV DESC: ADD PK SPEC		<b>molex</b>  SL MALE CRIMP TERMINAL			
	DIMENSION UNITS	SCALE	EC NO: 615128					DOCUMENT NUMBER
	mm	5:1	DRWN: GJEEVANSURES 2018/12/05		700210000-SD	PSD	000	A5
	GENERAL TOLERANCES (UNLESS SPECIFIED)		CHK'D: SCS02 2019/04/05		PRODUCT CUSTOMER DRAWING			
	ANGULAR TOL ± °		APPR: ISHWARG 2019/04/05		MATERIAL NUMBER			
	4 PLACES ±		INITIAL REVISION:		CUSTOMER			
	3 PLACES ±		DRWN: KSAMIEC 2017/09/01		SERIES			
	2 PLACES ± 0.25		APPR: FSMITH 2017/09/12		THIRD ANGLE PROJECTION			
	1 PLACE ± 0.35		DRAWING		B-SIZE			
	0 PLACES ± 0.0		DRAFT WHERE APPLICABLE MUST REMAIN WITHIN DIMENSIONS		70021			

TERMINAL STAMPED WITH LETTER "A" FOR USE WITH 24-30 AWG WIRE								
MATERIAL NO	ENGINEERING NO	PACKING	PLATING	LENGTH	MATING	STAMPED LETTER	WIRE SIZE	MAX INS. DIA
16020105	70021-0004	REEL	OVERALL TIN	21.39	8.43	A	24-30 AWG	1.52
16020108	70021-0204	LOOSE						
16020077	70021-0006	REEL	207 = 0.38 GOLD					
16020109	70021-0206	LOOSE						
16020078	70021-0008	REEL	206 = 0.75 GOLD					
16020110	70021-0208	LOOSE						

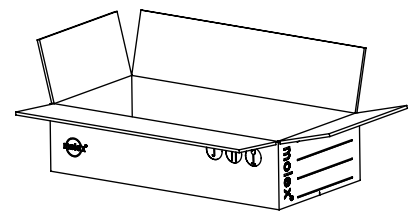
TERMINAL STAMPED WITH LETTER "C" FOR USE WITH 22-24 AWG WIRE								
MATERIAL NO	ENGINEERING NO	PACKING	PLATING	LENGTH	MATING	STAMPED LETTER	WIRE SIZE	MAX INS. DIA
16020107	70021-0021	REEL	OVERALL TIN	21.39	8.43	C	22-24 AWG	1.63
16020114	70021-0221	LOOSE						
16020081	70021-0023	REEL	207 = 0.38 GOLD					
16020115	70021-0223	LOOSE						
16020116	70021-0025	REEL	206 = 0.75 GOLD					
16020117	70021-0225	LOOSE						
700210117	70021-0117							
700210081	NA	NA	207 = 0.38 GOLD	19.61	6.65			
700211021	NA	NA	OVERALL TIN					
700211023	NA	REEL	206 = 0.75 GOLD					

TERMINAL STAMPED WITH LETTER "B" FOR USE WITH 32-36 AWG WIRE								
MATERIAL NO	ENGINEERING NO	PACKING	PLATING	LENGTH	MATING	STAMPED LETTER	WIRE SIZE	MAX INS. DIA
16020106	70021-0013	REEL	OVERALL TIN	21.39	8.43	B	32-36 AWG	0.64
16020111	70021-0213	LOOSE						
16020079	70021-0015	REEL	207 = 0.38 GOLD					
16020112	70021-0215	LOOSE						
16020080	70021-0017	REEL	206 = 0.75 GOLD					
16020113	70021-0217	LOOSE						

REELED PART PACKAGING



PARTS PER BAG: 6,000  
BAGS PER BOX: 2  
PARTS PER BOX: 12,000



LOOSE PART PACKAGING

SYMBOLS	THIS DRAWING CONTAINS INFORMATION THAT IS PROPRIETARY TO MOLEX ELECTRONIC TECHNOLOGIES, LLC AND SHOULD NOT BE USED WITHOUT WRITTEN PERMISSION		CURRENT REV DESC: ADD PK SPEC		<b>molex</b>			
	DIMENSION UNITS	SCALE						
	▽ = 0	mm	1:10			SL MALE CRIMP TERMINAL		
	▽ = 0	GENERAL TOLERANCES (UNLESS SPECIFIED)						
	▽ = 0	ANGULAR TOL ± °				PRODUCT CUSTOMER DRAWING		
	▽ = 0	4 PLACES	±					
	▽ = 0	3 PLACES	±			DOCUMENT NUMBER		
	▽ = 0	2 PLACES	± 0.25					
	▽ = 0	1 PLACE	± 0.35			700210000-SD		
	▽ = 0	0 PLACES	± 0.0					
■ = 0	DRAFT WHERE APPLICABLE MUST REMAIN WITHIN DIMENSIONS		THIRD ANGLE PROJECTION	DRAWING	SERIES	MATERIAL NUMBER	CUSTOMER	SHEET NUMBER
▽ = 0				B-SIZE	70021			2 OF 2